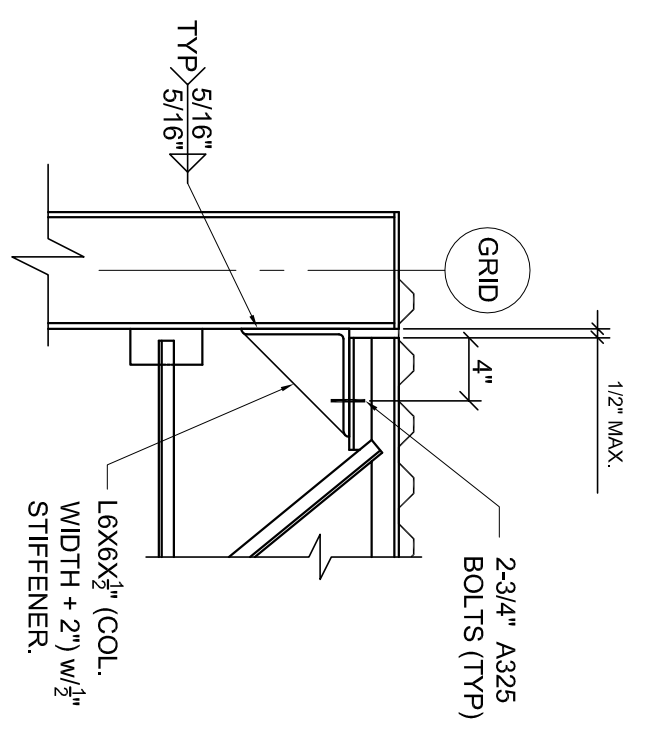
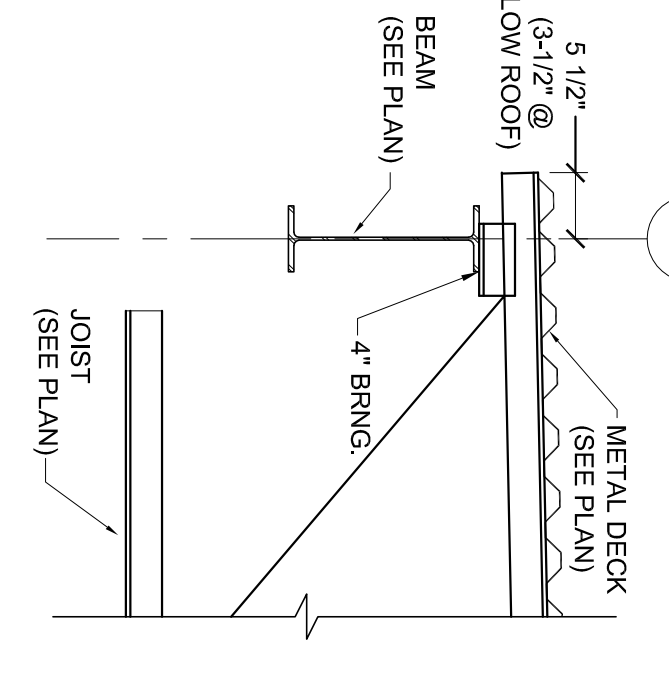


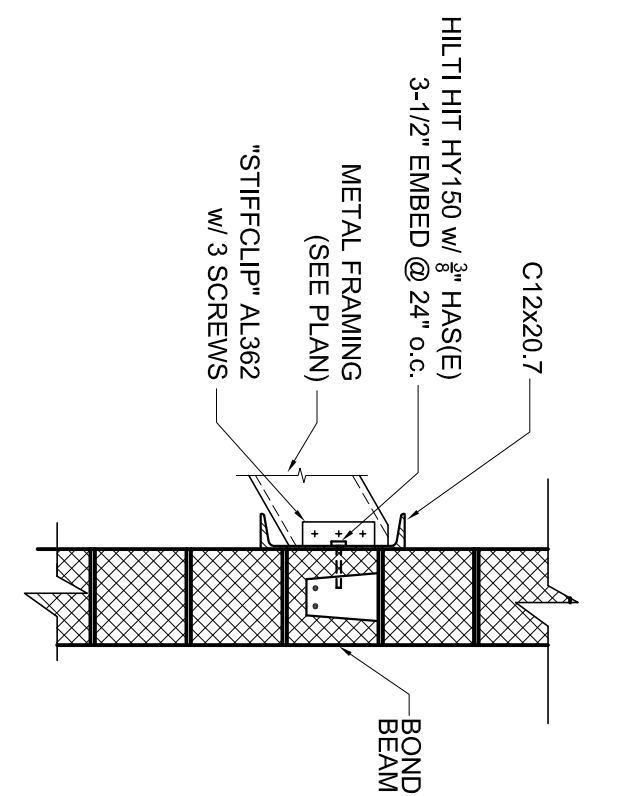
F1 TYP. SECT. @ CHANGE IN DIRECTION OF DECK



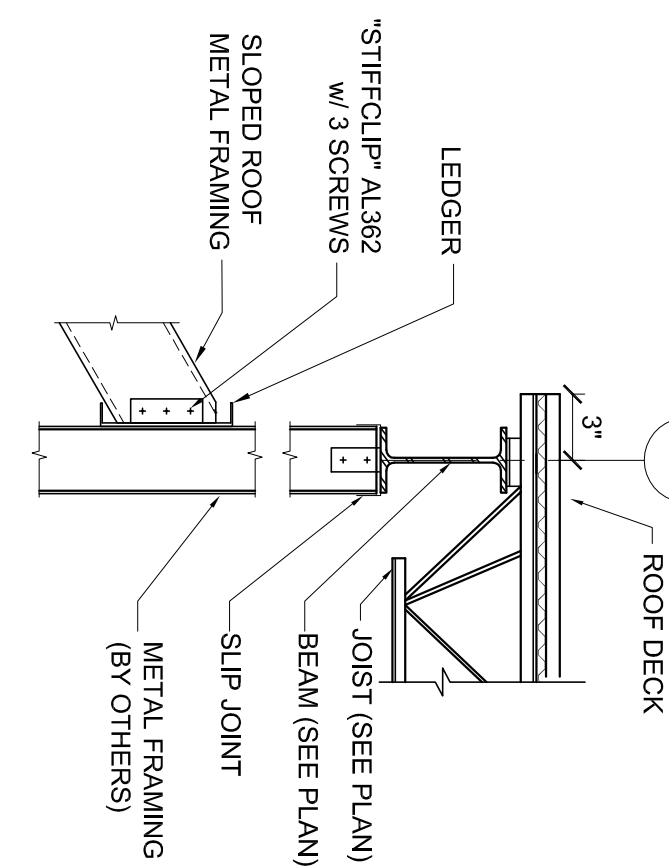
F3 TYPICAL "LH" TIE JOIST CONNECTION



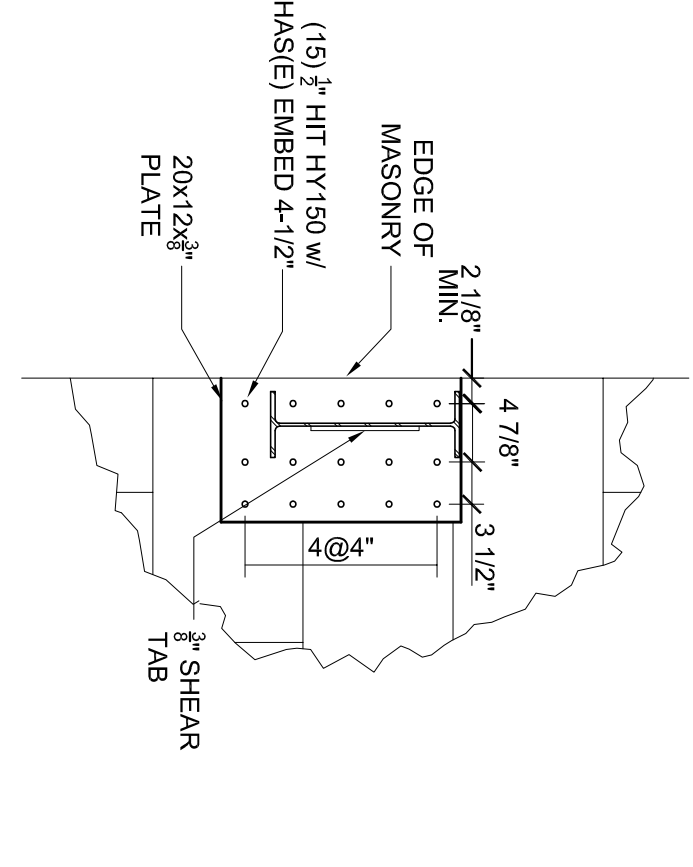
F5 TYPICAL DETAIL OF ROOF BEAM PERP. TO JOIST



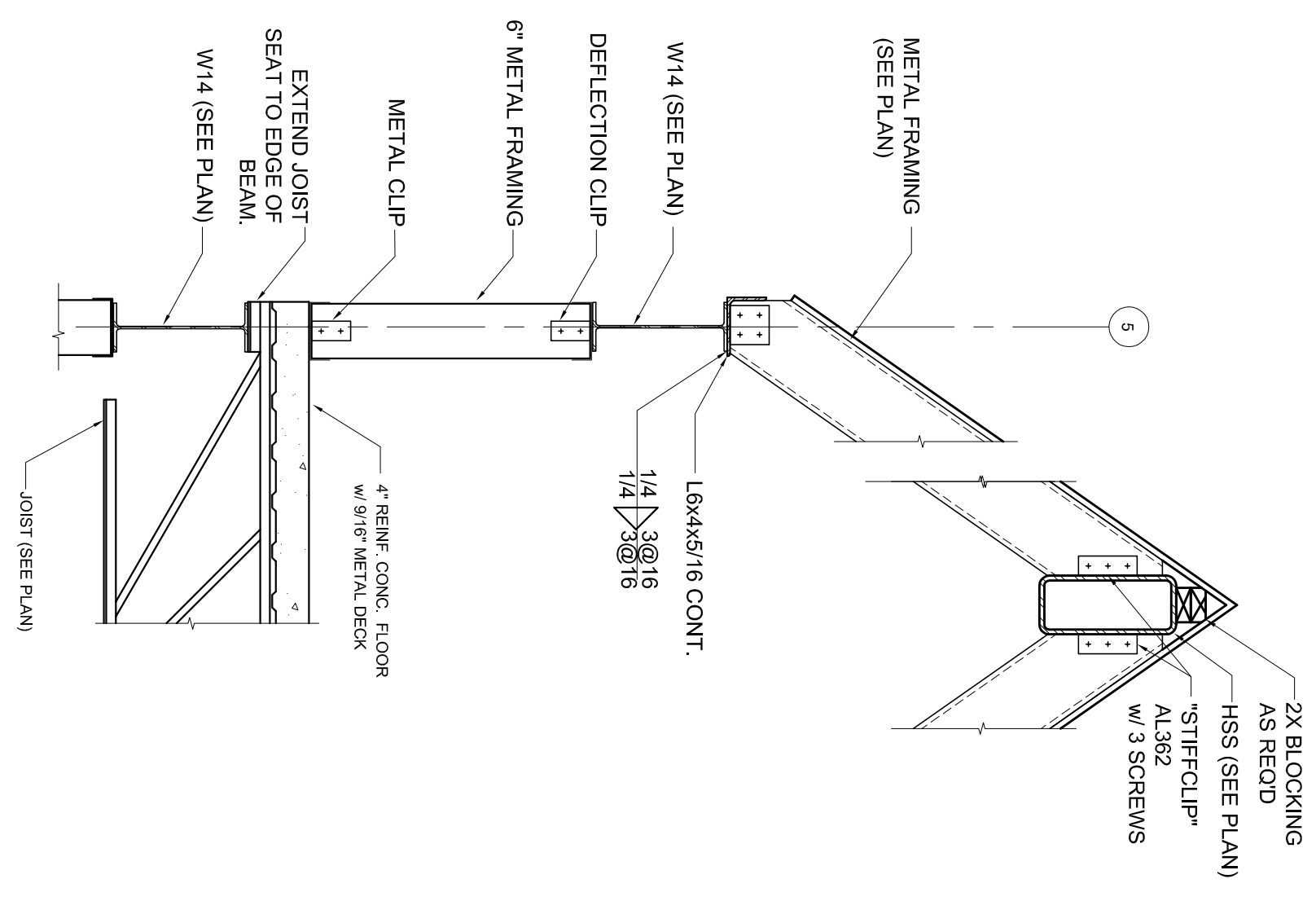
F6 DETAIL



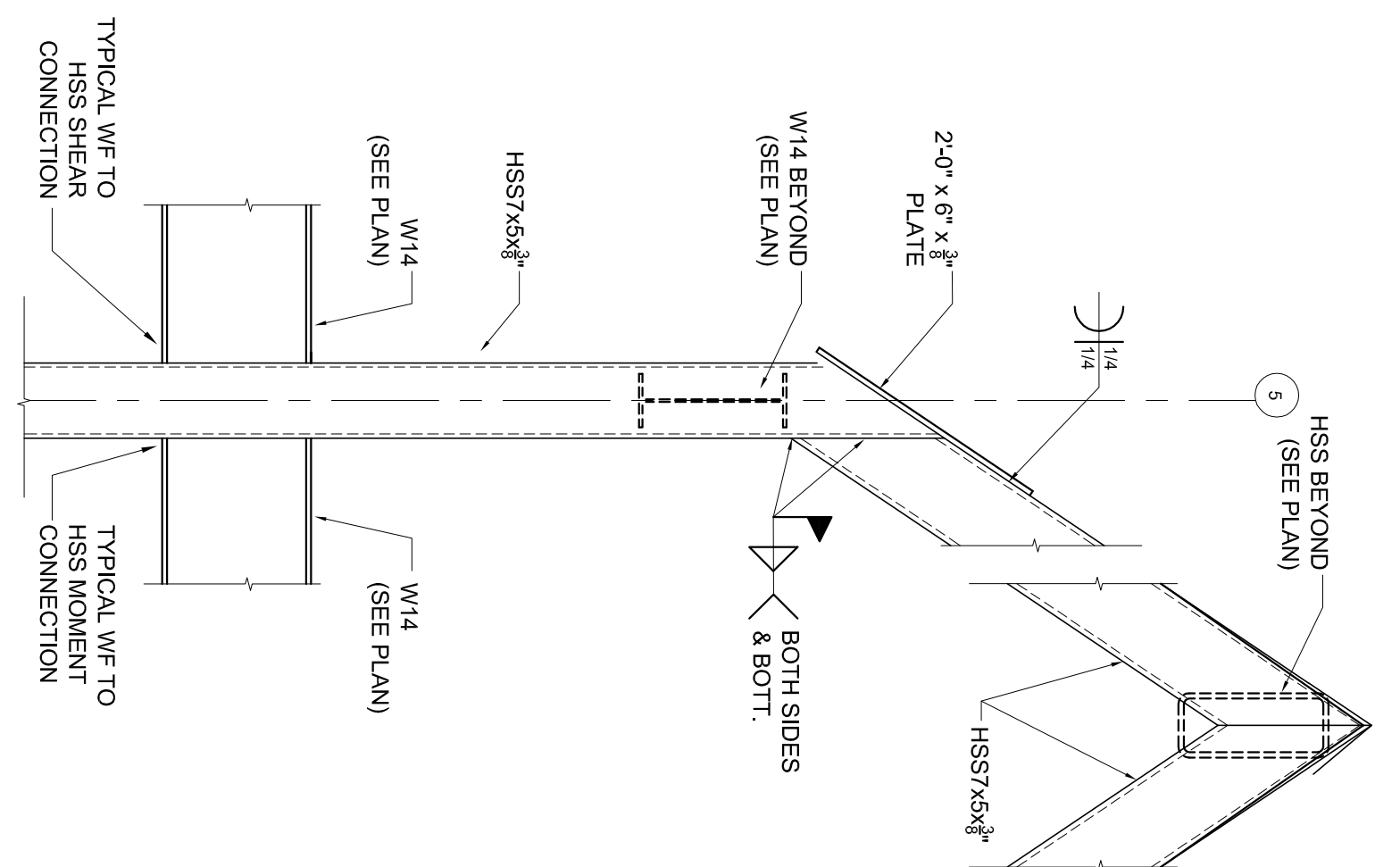
F8 DETAIL



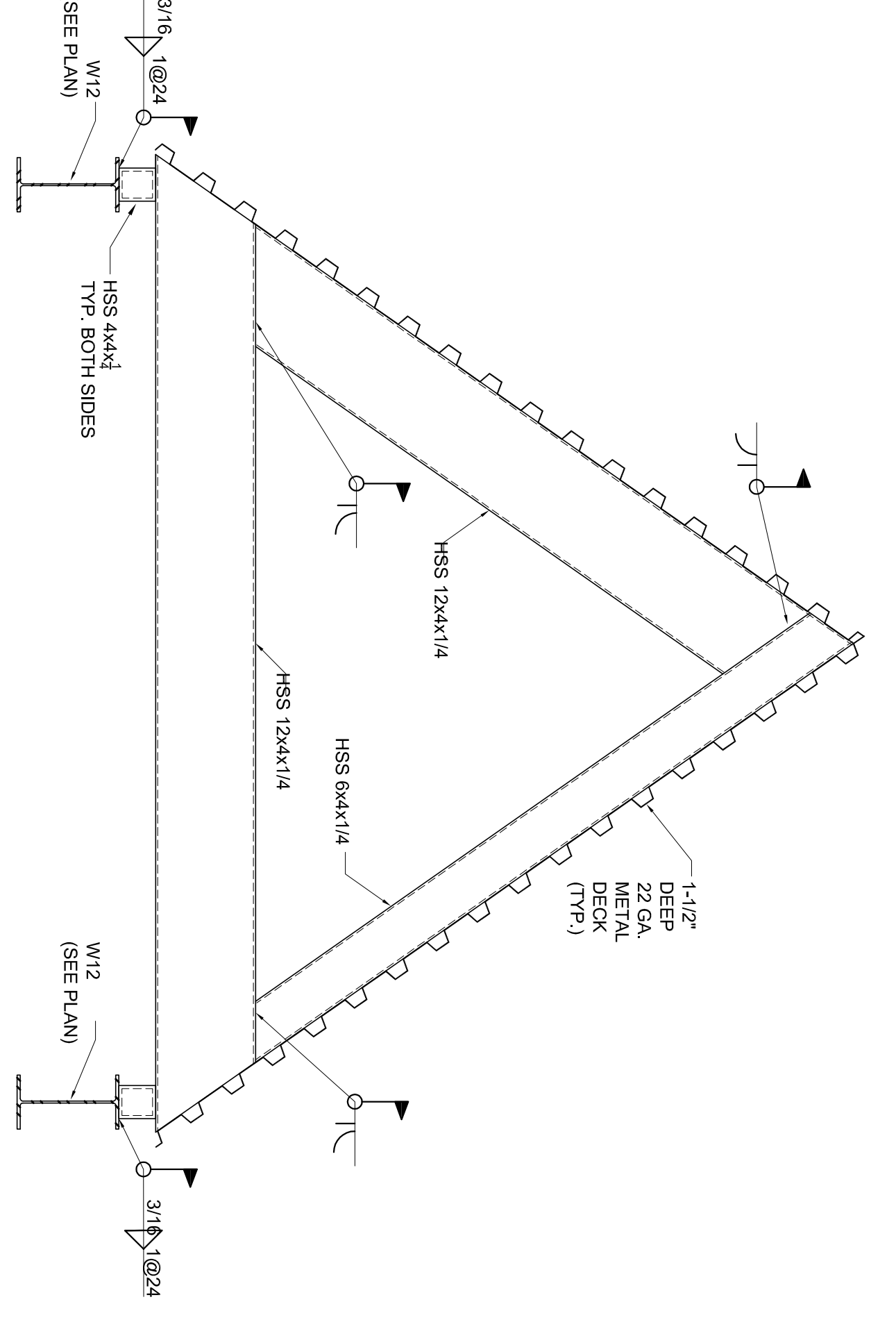
F8 DETAIL



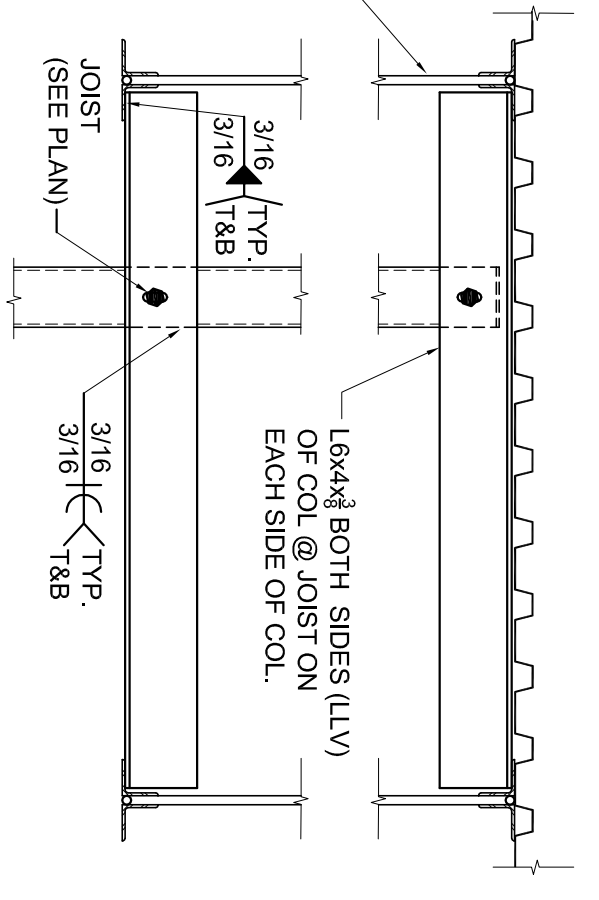
C1 SECTION @ TYPICAL GABLE FRAMING



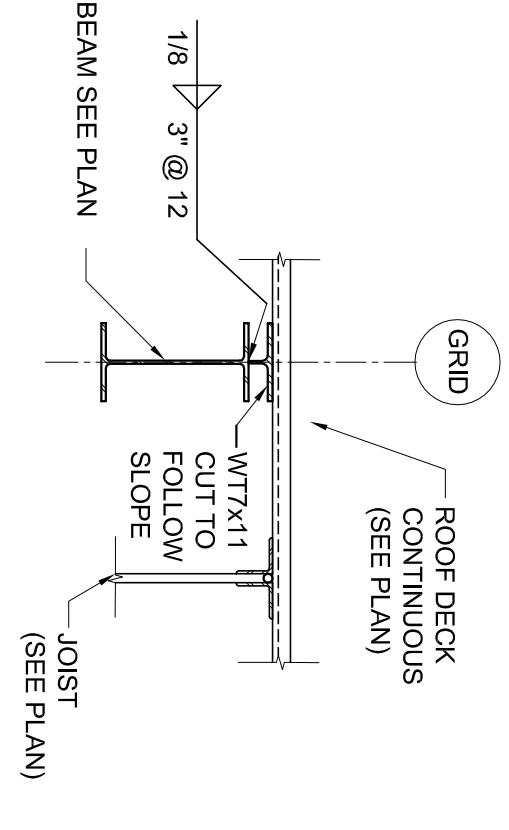
C3 SECTION @ GABLE END FRAME



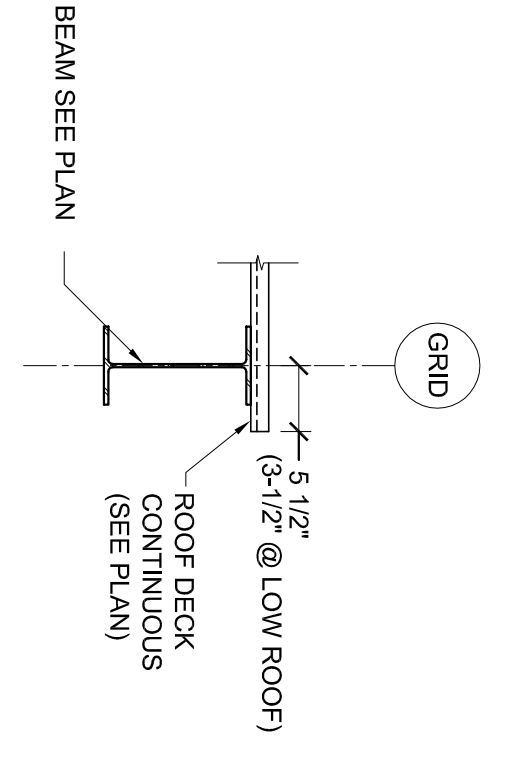
C5 FRAME @ ENTRANCE (TYPICAL OF 7)



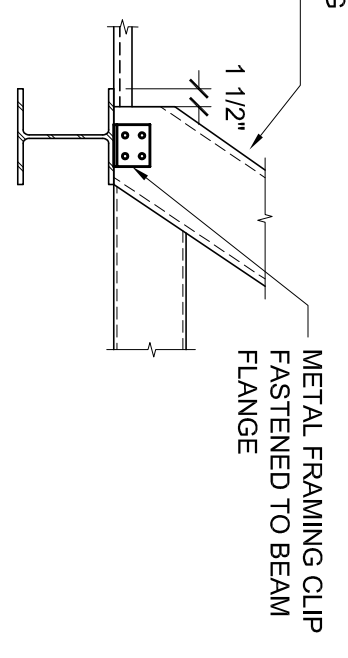
B1 COL. CONN. TO ROOF FRAMING DETAIL



B3 SECTION @ ROOF FRAMING EDGE



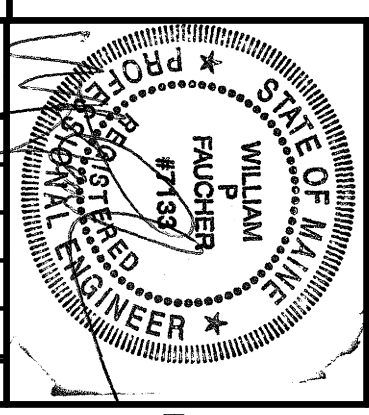
B5 TYPICAL DETAIL @ ROOF BEAM PARALLEL TO JOIST



A1 METAL FRAMING TO BEAM DETAIL

REVISIONS				
NUMBER	DATE	BY	DESCRIPTION	

Date: / /  
 Drawn By: MAN  
 Checked By: WPF  
 Project Mgr: WPF  
 Project No: 06029  
 Cad File: 06029SF-DTLS.dwg  
 Graphic Scale: 0 1"  
 Scale:



**Allied Engineering**  
 Structural Mechanical Electrical Commissioning  
 160 Veranda Street  
 Portland, Maine 04103  
 T: 207.221.2260  
 F: 207.221.2266  
 Web: www.allied-eng.com

**PERMIT SET**  
 JUNE 23, 2006

**SF-500**  
 STRUCTURAL DETAILS  
 DELTA ROOFING  
 PORTLAND, MAINE  
 © COPYRIGHT 2006 ALLIED ENGINEERING, INC.