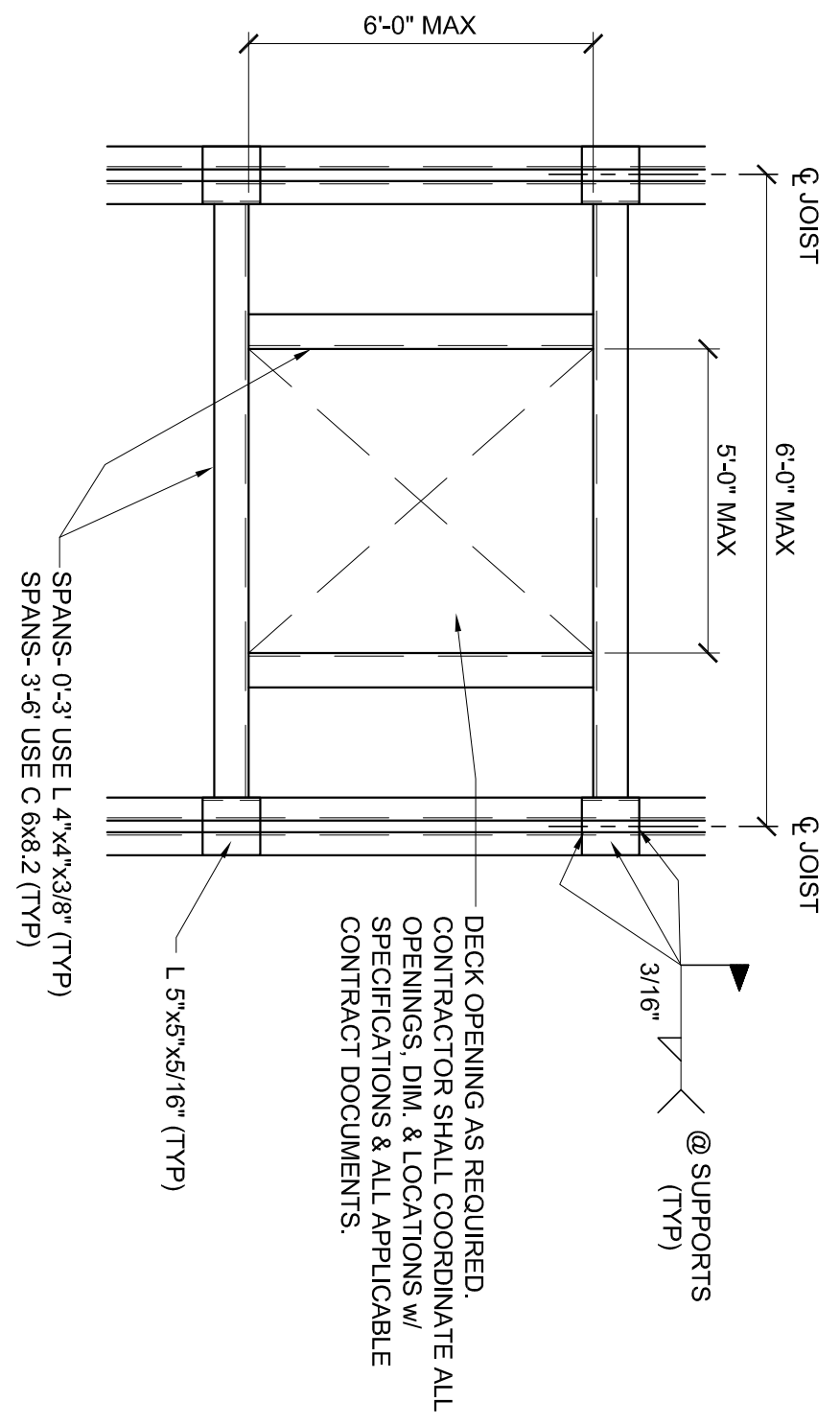


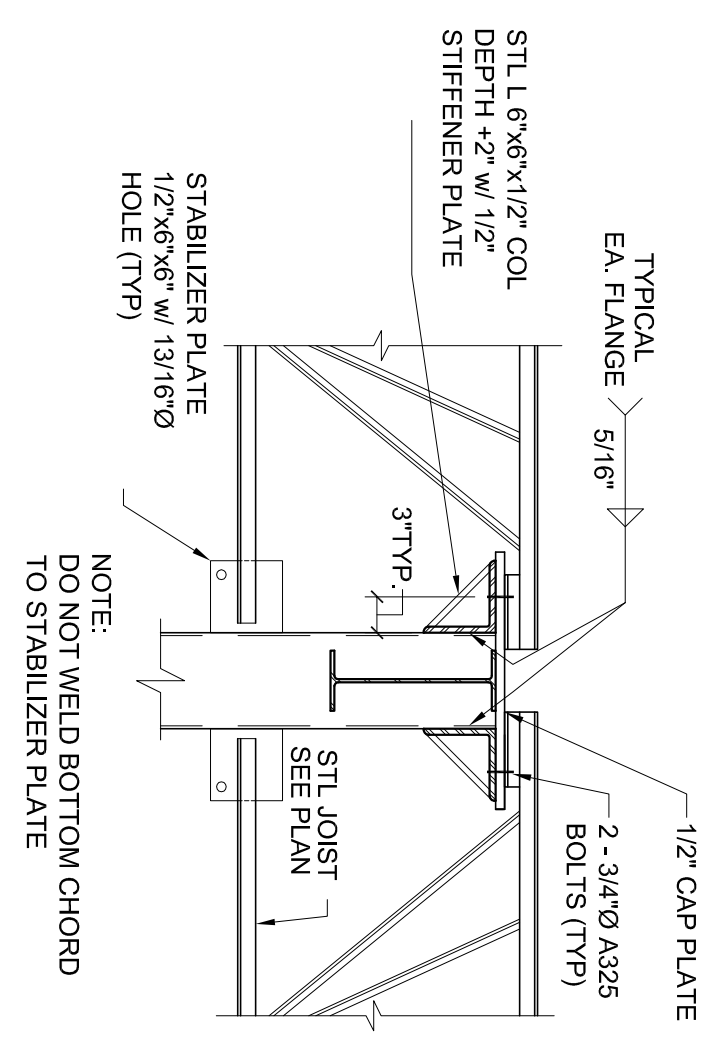
A1 TYPICAL FRAMED OPENING IN ROOF DECK U.N.O.



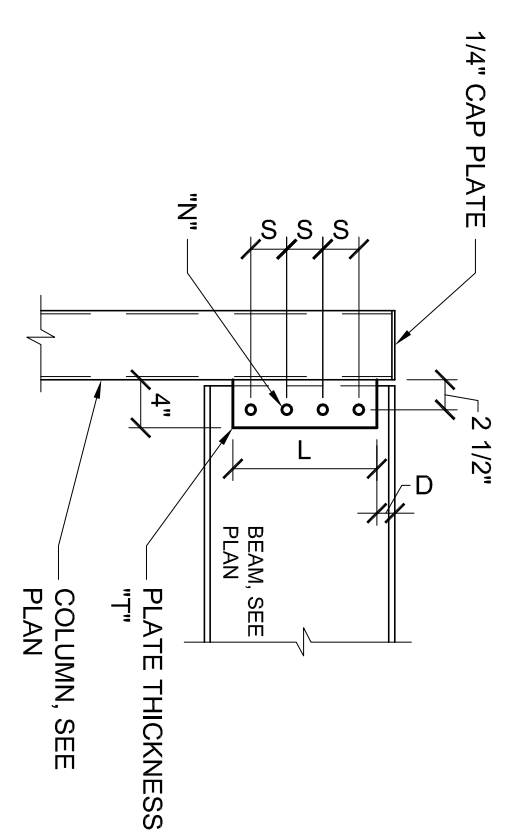
- NOTES:
- 1, 2, 3 OR 4 SIDED FRAMES MAY BE USED AS REQUIRED. ALSO LOOSE INTERIOR MEMBERS MAY BE USED FOR ADDED ADJUSTMENT.
 2. FRAME NOT REQUIRED FOR ROUND OPENINGS LESS THAN 12\"/>

PERMIT SET
JUNE 23, 2006

C3 TYPICAL TIE-JOIST TO COLUMN DETAIL (U.N.O)



C6 TYPICAL BEAM TO COLUMN DETAIL

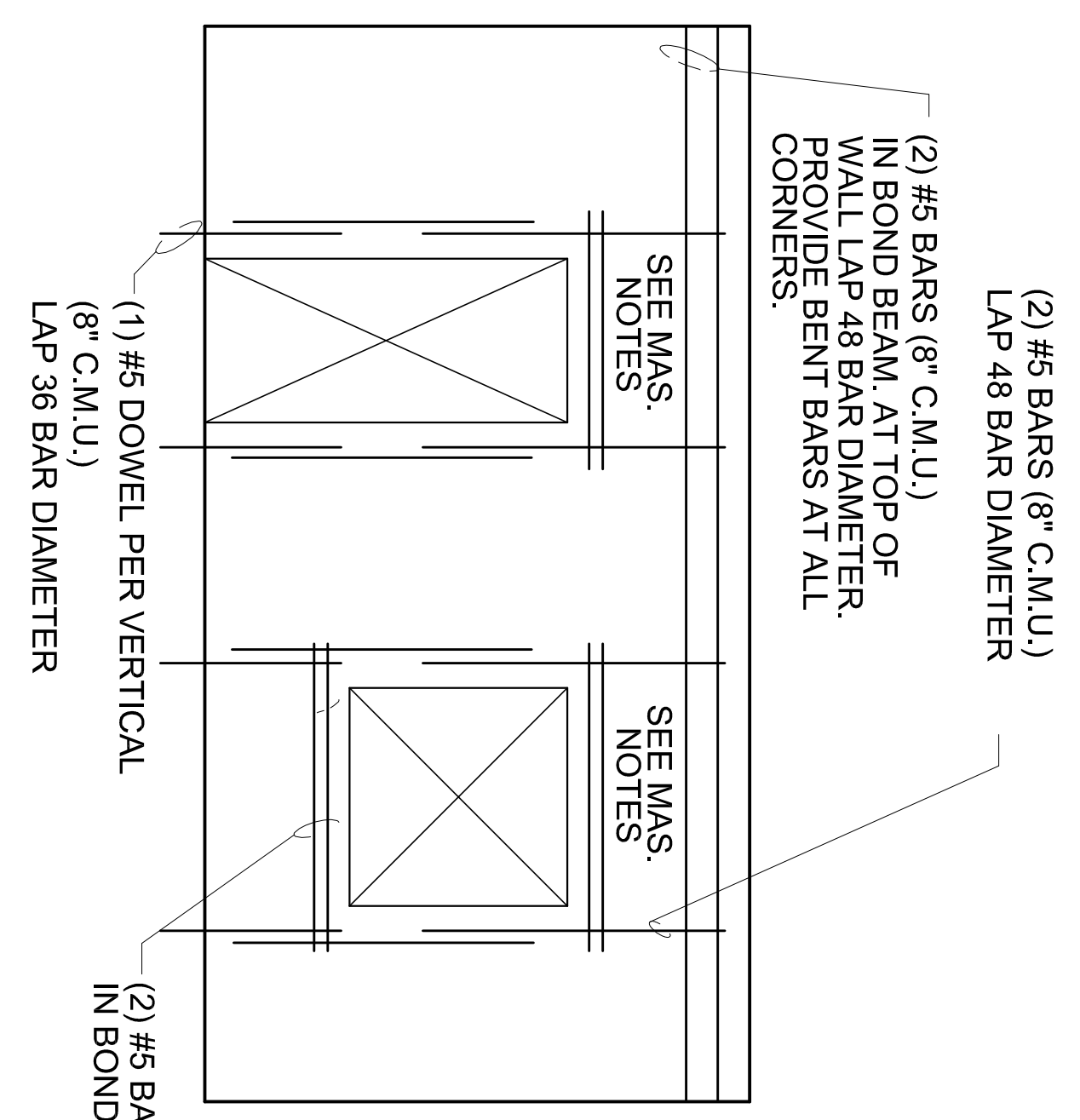


CONNECTION SCHEDULE						
BEAM	N	L	T	D	S	
W8	2	6"	3/8"	1"	3"	
W10	2	6"	3/8"	1 1/2"	3"	
W12	3	9"	3/8"	1 1/2"	3"	
W14	3	9"	3/8"	1 1/2"	3"	
W16	4	12"	3/8"	1 1/2"	3"	
W18	5	15"	3/8"	1 1/2"	3"	
W21	6	18"	3/8"	1 1/2"	3"	
W24	6	18"	3/8"	1 1/2"	3"	

NOTES:

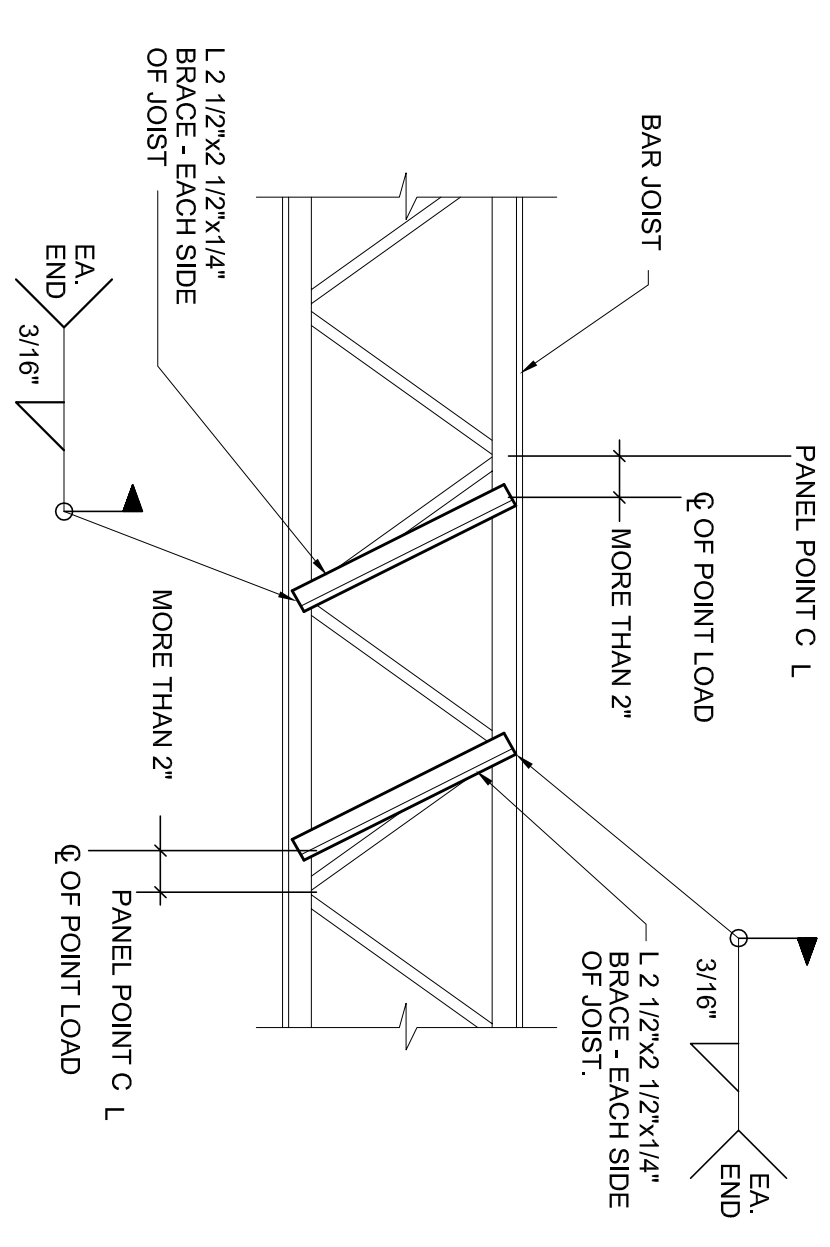
1. ALL BOLTS SHALL BE 3/4" DIA. A325N (U.N.O.)
2. N = NUMBER OF BOLTS
3. L = LENGTH OF PLATE
4. T = THICKNESS OF PLATE
5. D = DEPTH OF PLATE FROM TOP FLANGE OF BEAM
6. S = BOLT SPACING

E5 TYPICAL OPENING IN MASONRY WALLS



- NOTES:
1. PROVIDE VERTICAL REINFORCING AT EACH SIDE OF EACH OPENING, WITH 16" OF ENDS OF WALLS.
 2. PROVIDE HORIZONTAL REINFORCING AT TOP AND BOTTOM OF WALL OPENINGS AND CONTINUOUSLY AT STRUCTURALLY CONNECTED ROOF AND FLOOR LEVELS AND AT THE TOP OF WALLS.
 3. FILL ALL CORES TO RECEIVE REINFORCING WITH 3000 psi CONCRETE.
 4. PROVIDE 48 BAR DIAMETER SPLICES IN ALL MASONRY WALLS. PROVIDE 36 BAR DIAMETER BAR EMBEDMENT IN ALL CONCRETE WALLS.

A6 TRUSS FIELD MODIFICATION FOR POINT LOAD > 200 #



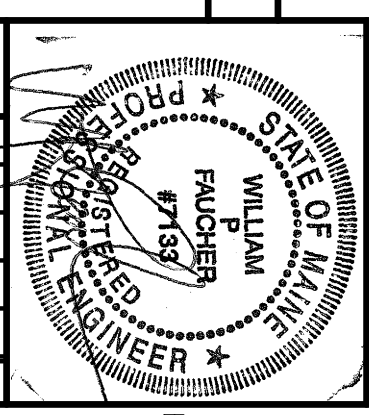
TYPICAL MISC. DETAILS

DELTA ROOFING

PORTLAND, MAINE

Date: ___/___/___
 Drawn By: PED
 Checked By: WPF
 Project Mgr: WPF
 Project No: 06029
 Cad File: 0602950.dwg
 Graphic Scale: 0 1" = 12"

REVISIONS				
NUMBER	DATE	BY	DESCRIPTION	



Allied Engineering
 Structural Mechanical Electrical Commissioning

160 Veranda Street
 Portland, Maine 04103
 T: 207.221.2260
 F: 207.221.2266
 Web: www.allied-eng.com

S-002