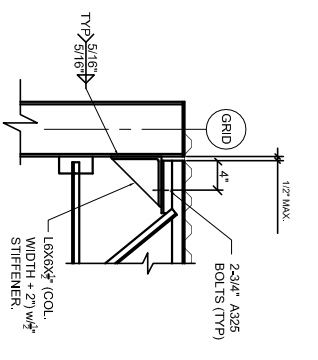
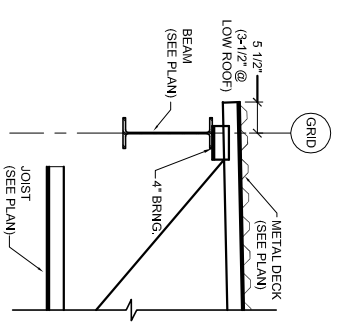


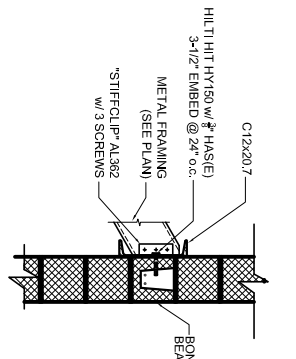
F1 TYP. SECT. @ CHANGE IN DIRECTION OF DECK



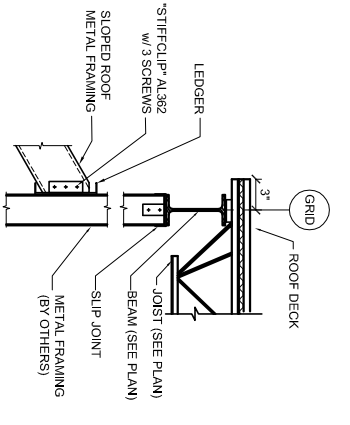
F3 TYPICAL "H" TIE JOIST CONNECTION



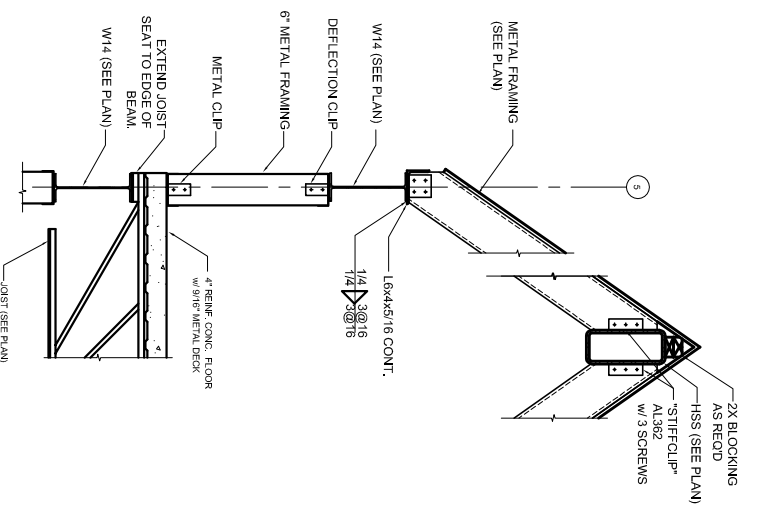
F5 TYPICAL DETAIL OF ROOF BEAM PERP. TO JOIST



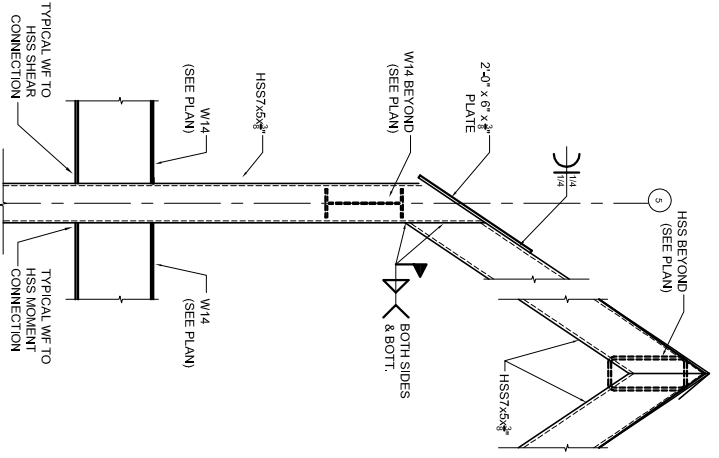
F6 DETAIL



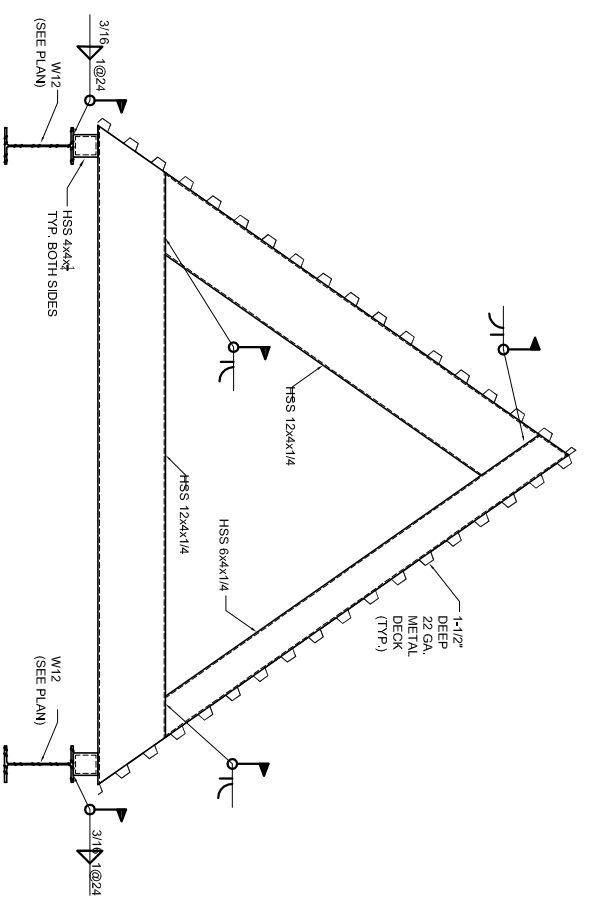
F8 DETAIL



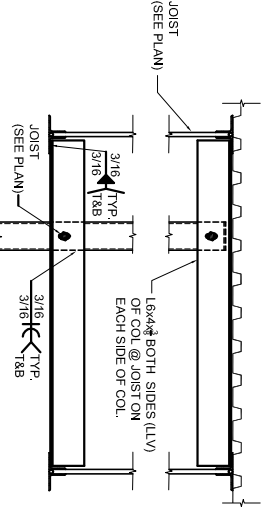
C1 SECTION @ TYPICAL GABLE FRAMING



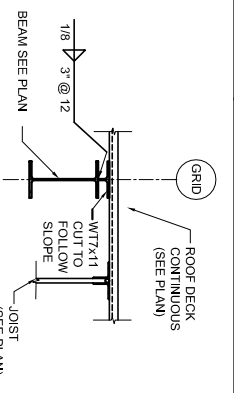
C3 SECTION @ GABLE END FRAME



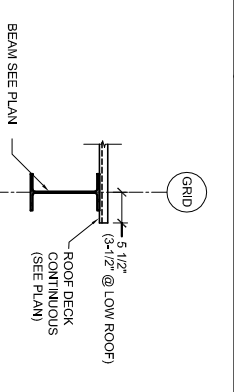
C5 FRAME @ ENTRANCE (TYPICAL OF 7)



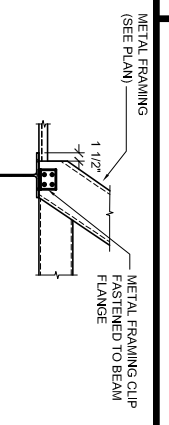
B1 COL. CONN. TO ROOF FRAMING DETAIL



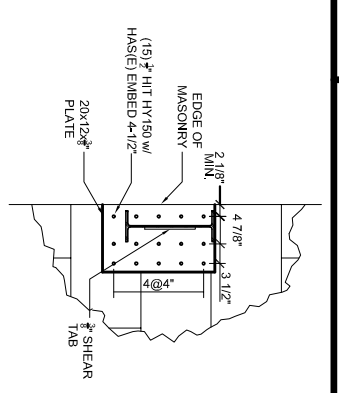
B3 SECTION @ ROOF FRAMING EDGE



B5 TYPICAL DETAIL @ ROOF BEAM PARALLEL TO JOIST



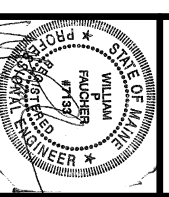
A1 METAL FRAMING TO BEAM DETAIL



F8 DETAIL

| REVISIONS | | | | |
|-----------|------|----|-------------|--|
| NUMBER | DATE | BY | DESCRIPTION | |
| | | | | |
| | | | | |
| | | | | |

Date: / /
 Drawn By: MAN
 Checked By: WPF
 Project Mgr: WPF
 Project No: 06029
 Cad File: 06029SF-DTLS.dwg
 Graphic Scale: 0 1"



Allied Engineering
 Structural Mechanical Electrical Commissioning
 160 Veranda Street
 Portland, Maine 04103
 T: 207.221.2260
 F: 207.221.2266
 Web: www.allied-eng.com

SF-500
 STRUCTURAL DETAILS
 DELTA ROOFING
 PORTLAND, MAINE
 PERMIT SET
 JUNE 23, 2006