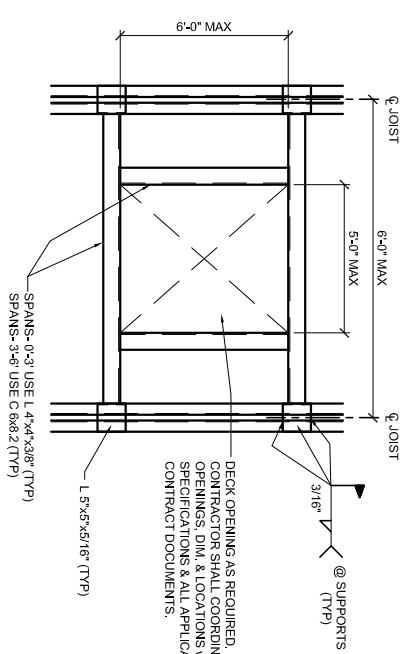


A1 TYPICAL FRAMED OPENING IN ROOF DECK U.N.O.

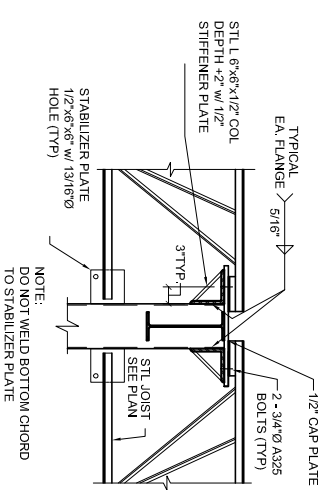


DECK OPENING AS REQUIRED. CONTRACTOR SHALL COORDINATE ALL SPECIFICATIONS & ALL APPLICABLE CONTRACT DOCUMENTS.

- NOTES:
1. 1, 2, 3 OR 4 SIDED FRAMES MAY BE USED AS REQUIRED. ALSO, LOOSE INTERIOR MEMBERS MAY BE USED FOR ADDED ADJUSTMENT.
  2. FRAME NOT REQUIRED FOR ROUND OPENINGS LESS THAN 12" Ø

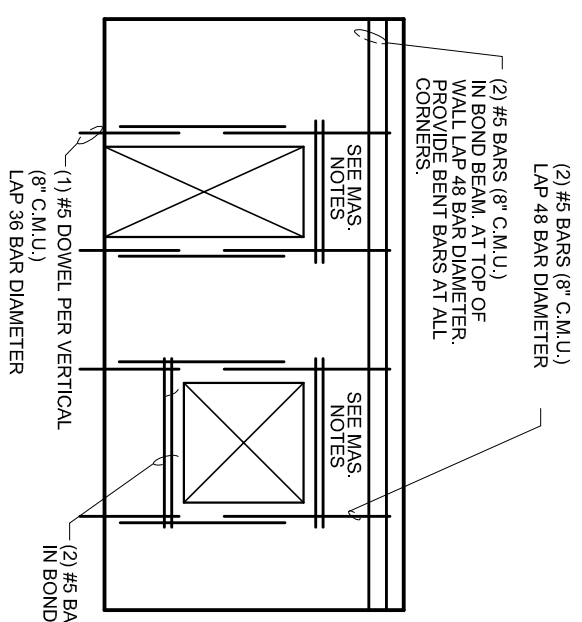
PERMIT SET  
JUNE 23, 2006

C3 TYPICAL TIE-JOIST TO COLUMN DETAIL (UNO)



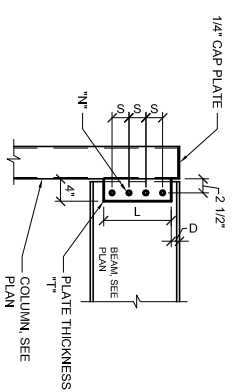
NOTE: DO NOT WELD BOTTOM CHORD TO STABILIZER PLATE

E5 TYPICAL OPENING IN MASONRY WALLS



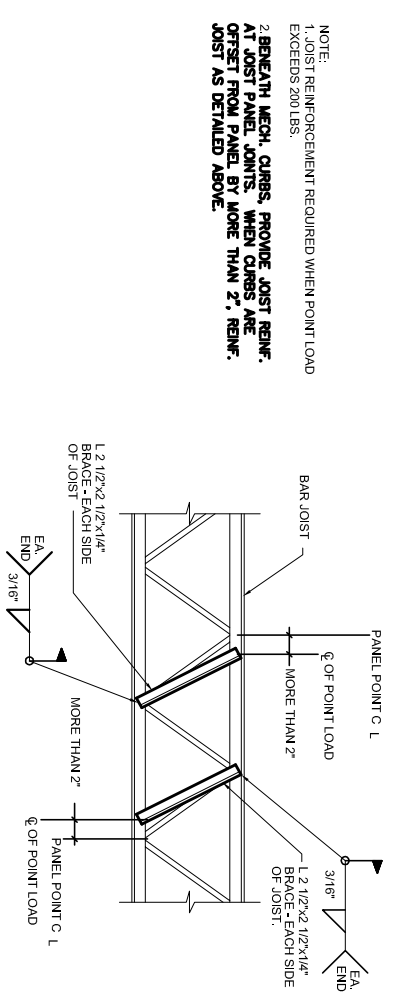
- NOTES:
1. PROVIDE VERTICAL REINFORCING AT EACH SIDE OF EACH OPENING, W/IN 16" OF ENDS OF WALLS.
  2. PROVIDE HORIZONTAL REINFORCING AT TOP AND BOTTOM OF WALL OPENINGS AND CONTINUOUSLY AT STRUCTURALLY CONNECTED ROOF AND FLOOR LEVELS AND AT THE TOP OF WALLS.
  3. FILL ALL CORES TO RECEIVE REINFORCING WITH 3000 psi CONCRETE.
  4. PROVIDE 48 BAR DIAMETER SPLICES IN ALL MASONRY WALLS. PROVIDE 36 BAR DIAMETER BAR EMBEDMENT IN ALL CONCRETE WALLS.

C6 TYPICAL BEAM TO COLUMN DETAIL



CONNECTION SCHEDULE						
BEAM	N	L	T	D	S	NOTES:
W8	2	6"	3/8"	1"	3"	1. ALL BOLTS SHALL BE 3/4" DIA A325N (U.N.C.)
W10	2	6"	3/8"	1 1/2"	3"	2. N = NUMBER OF BOLTS
W12	3	9"	3/8"	1 1/2"	3"	3. L = LENGTH OF PLATE
W14	3	9"	3/8"	1 1/2"	3"	4. T = THICKNESS OF PLATE
W16	4	12"	3/8"	1 1/2"	3"	5. D = DEPTH OF PLATE FROM TOP FLANGE OF BEAM
W18	5	15"	3/8"	1 1/2"	3"	6. S = BOLT SPACING
W21	6	18"	3/8"	1 1/2"	3"	
W24	6	18"	3/8"	1 1/2"	3"	

A6 TRUSS FIELD MODIFICATION FOR POINT LOAD > 200 #



NOTE:

1. JOIST REINFORCEMENT REQUIRED WHEN POINT LOAD EXCEEDS 200 LBS.
2. BENEATH MECH. CURBS, PROVIDE JOIST REINFR. AT JOIST PANEL JOINTS. WHEN CURBS ARE OFFSET FROM PANEL BY MORE THAN 2", REINFR. JOIST AS DETAILED ABOVE.

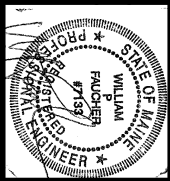
TYPICAL MISC. DETAILS

DELTA ROOFING  
PORTLAND, MAINE

Date: / /  
 Drawn By: PED  
 Checked By: WPF  
 Project Mgr: WPF  
 Project No: 06029  
 Cad File: 06029S0.dwg  
 Graphic Scale: 0 1"  
 Scale:

REVISIONS

NUMBER	DATE	BY	DESCRIPTION



**Allied Engineering**  
 Structural Mechanical Electrical Commissioning

160 Veranda Street  
 Portland, Maine 04103  
 T: 207.221.2260  
 F: 207.221.2266  
 Web: www.allied-eng.com

S-002