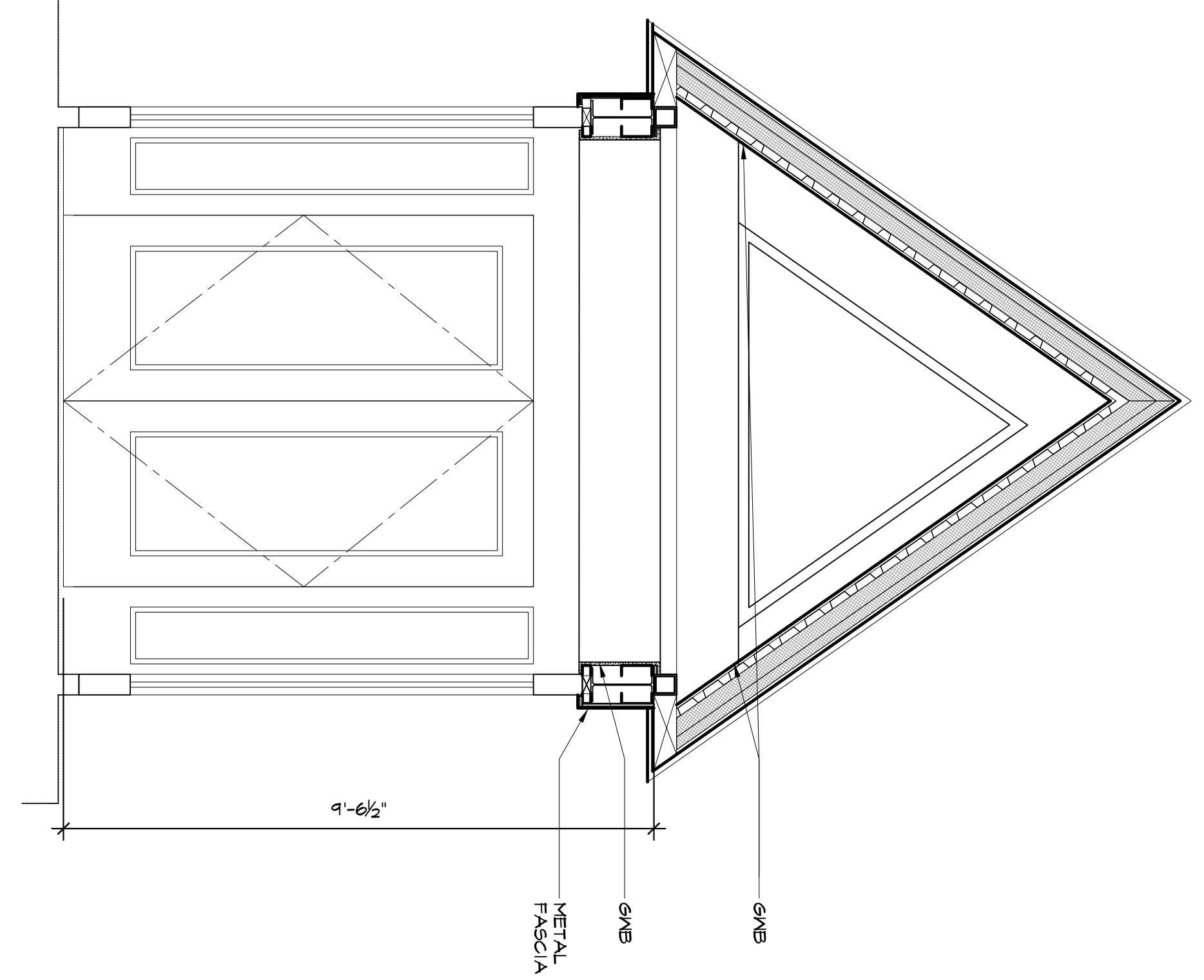
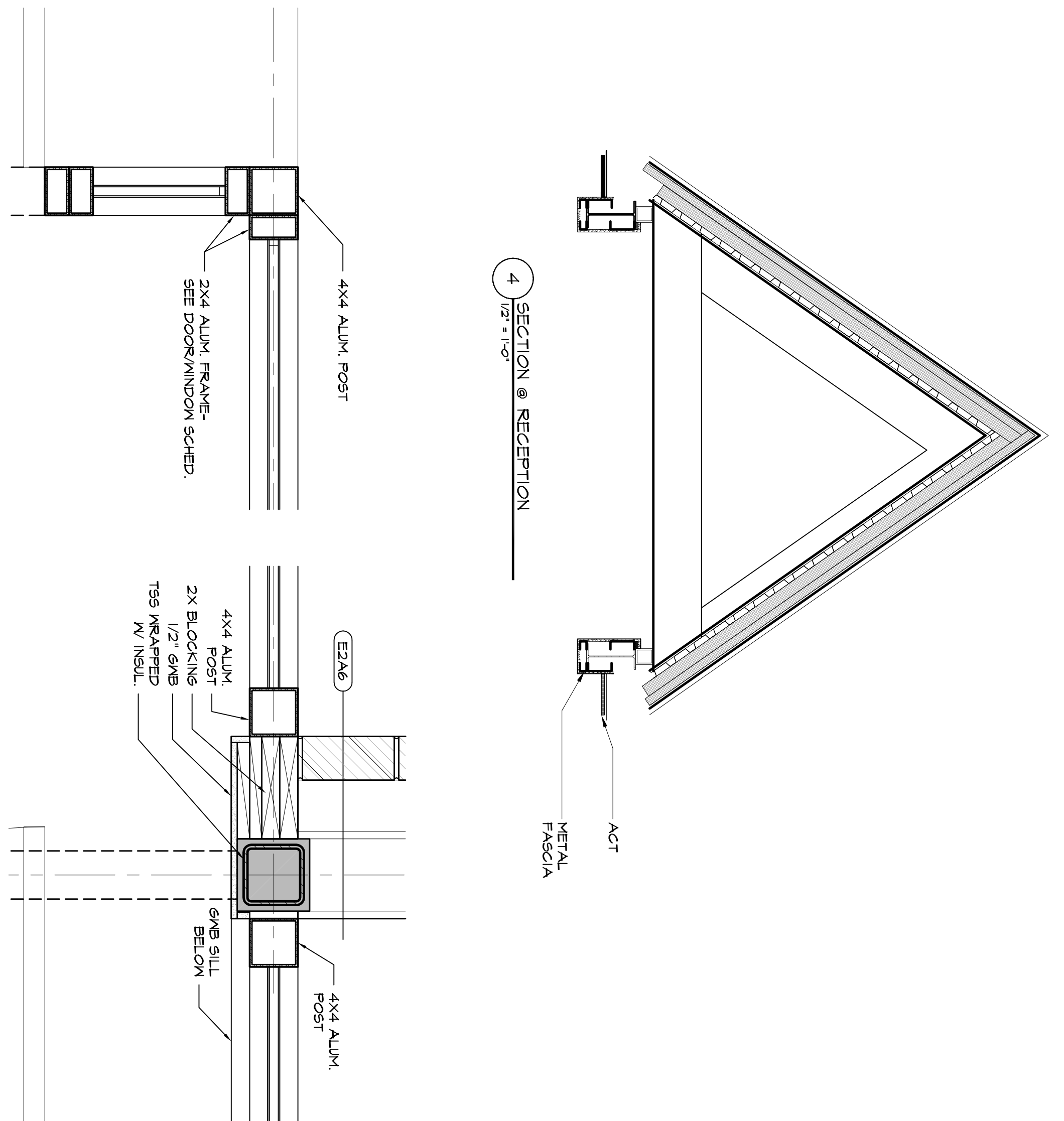


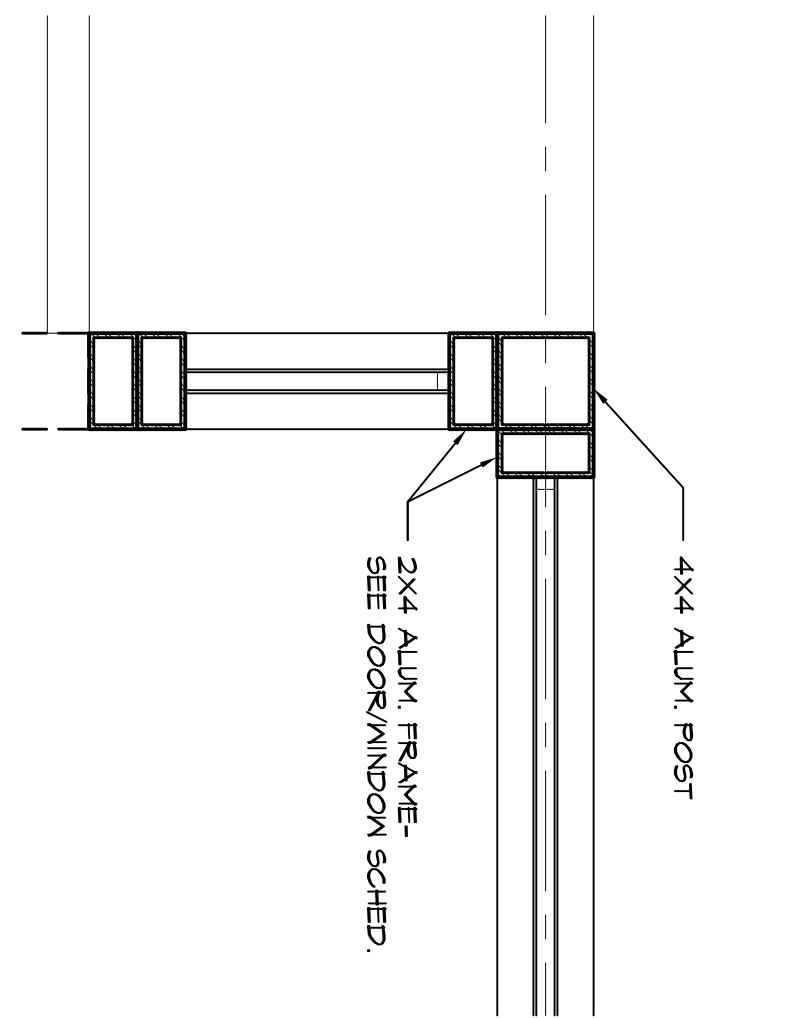
6 SECTION @ EXTERIOR ENTRY CANOPY  
1/2" = 1'-0"



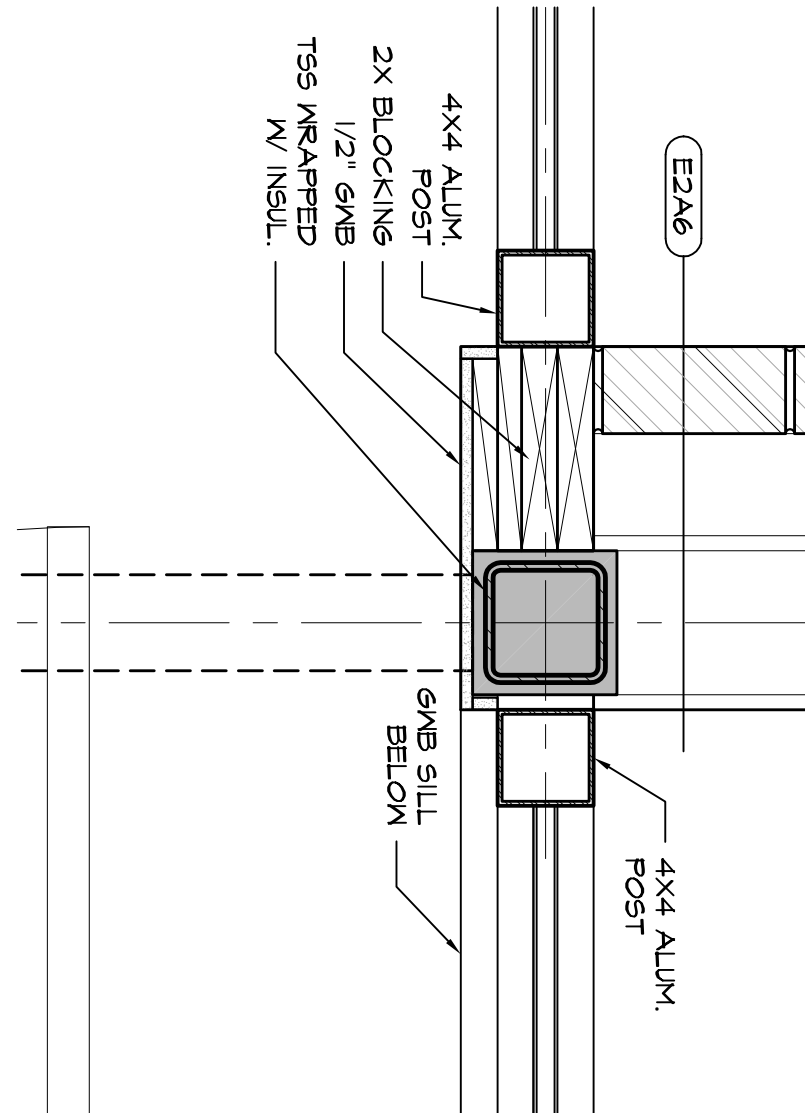
5 SECTION @ ENTRY VESTIBULE  
1/2" = 1'-0"



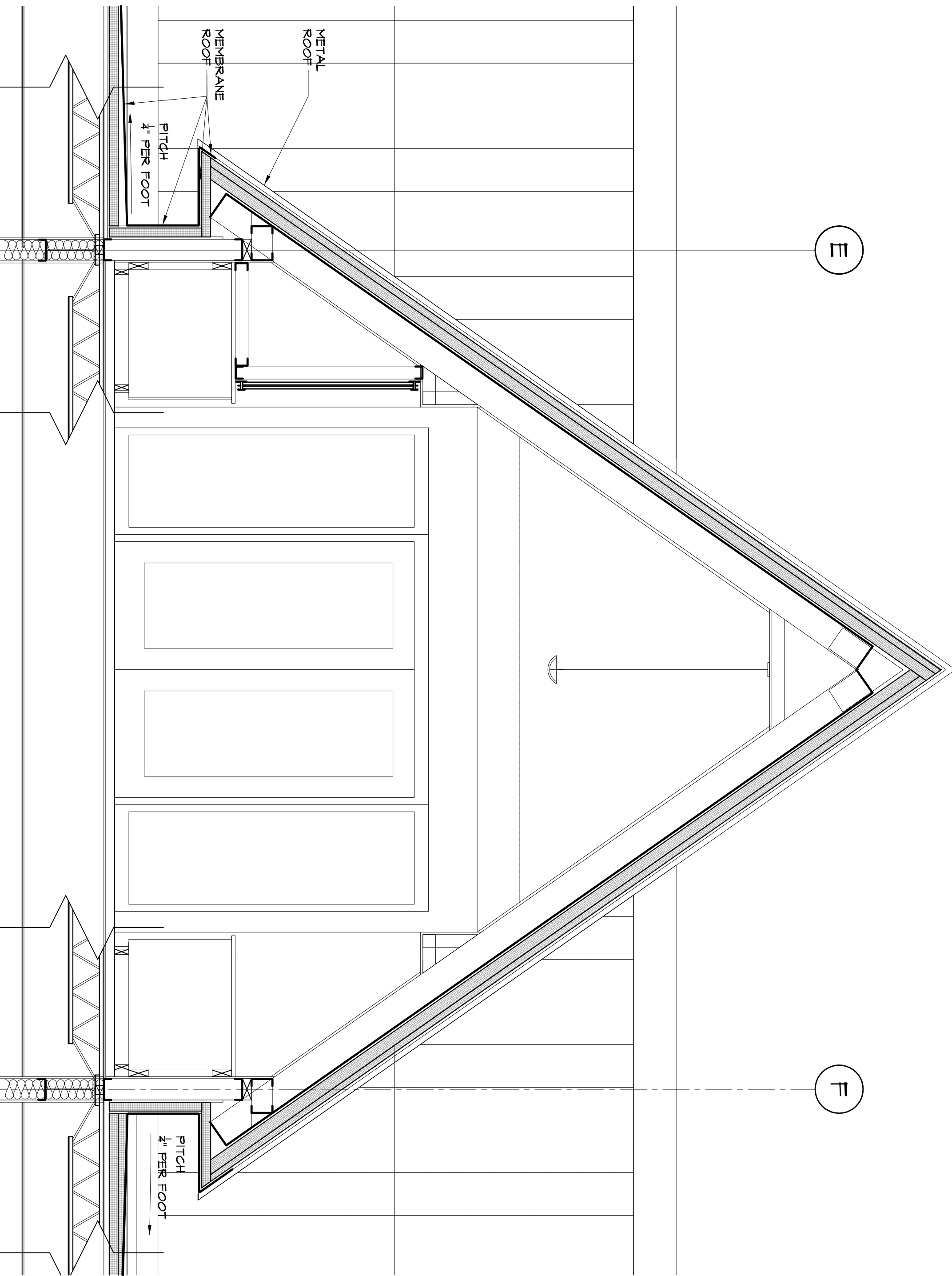
4 SECTION @ RECEPTION  
1/2" = 1'-0"



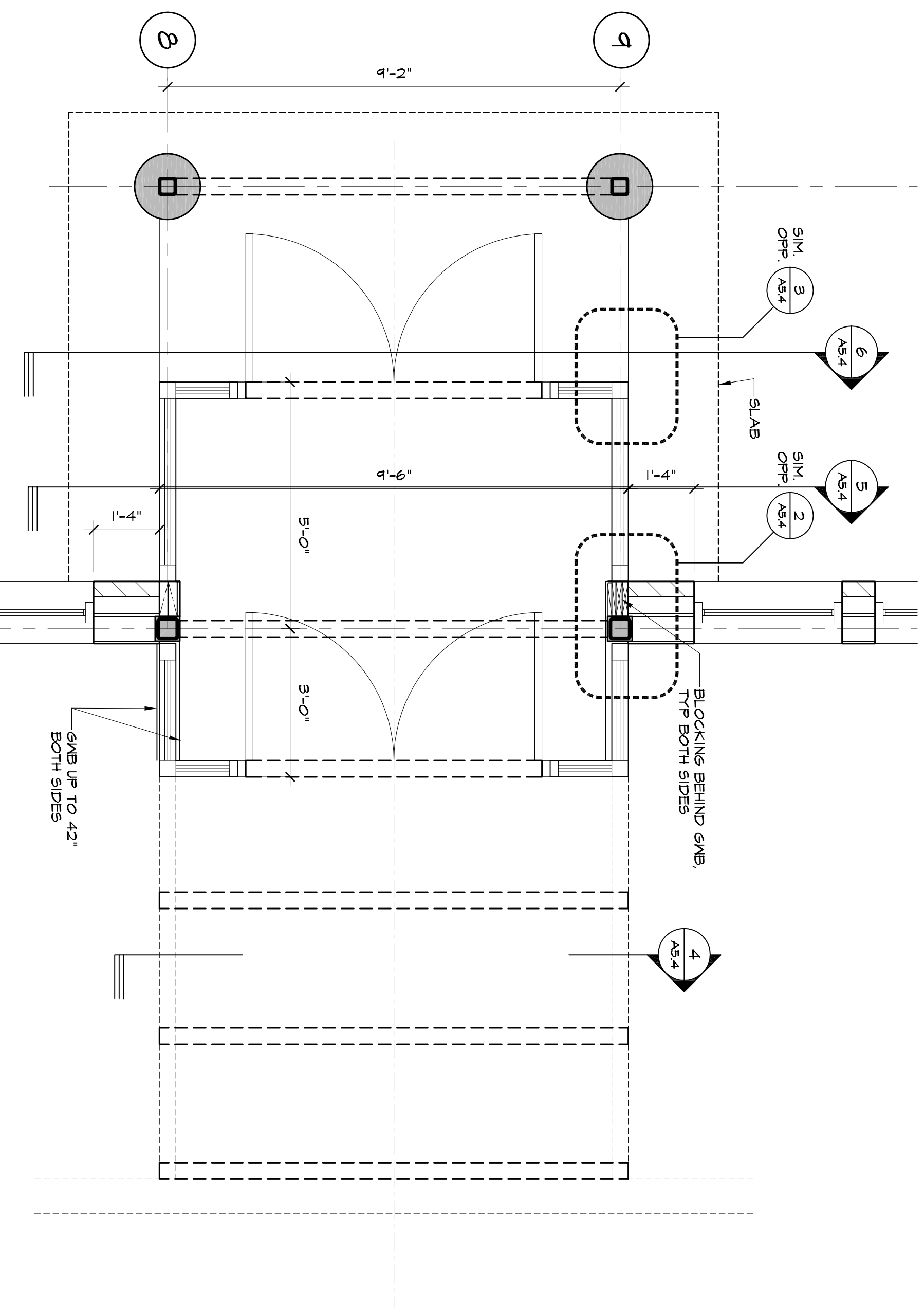
3 PLAN DETAIL @ ALUM. FRAME  
1/2" = 1'-0"



2 PLAN DETAIL @ ALUM. FRAME  
1/2" = 1'-0"



1 SECTION @ CONFERENCE ROOM  
1/2" = 1'-0"



1 ENLARGED ENTRY VESTIBULE  
1/2" = 1'-0"