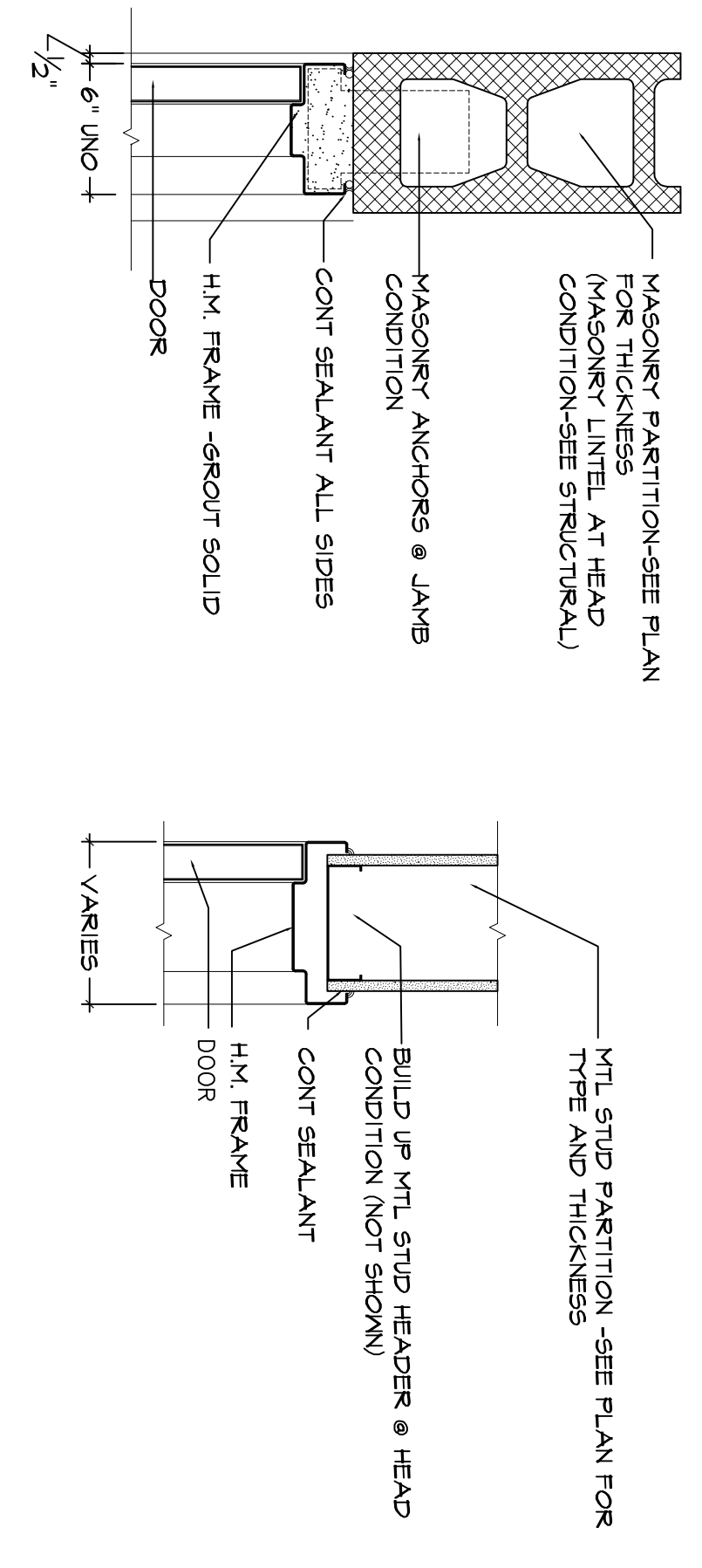


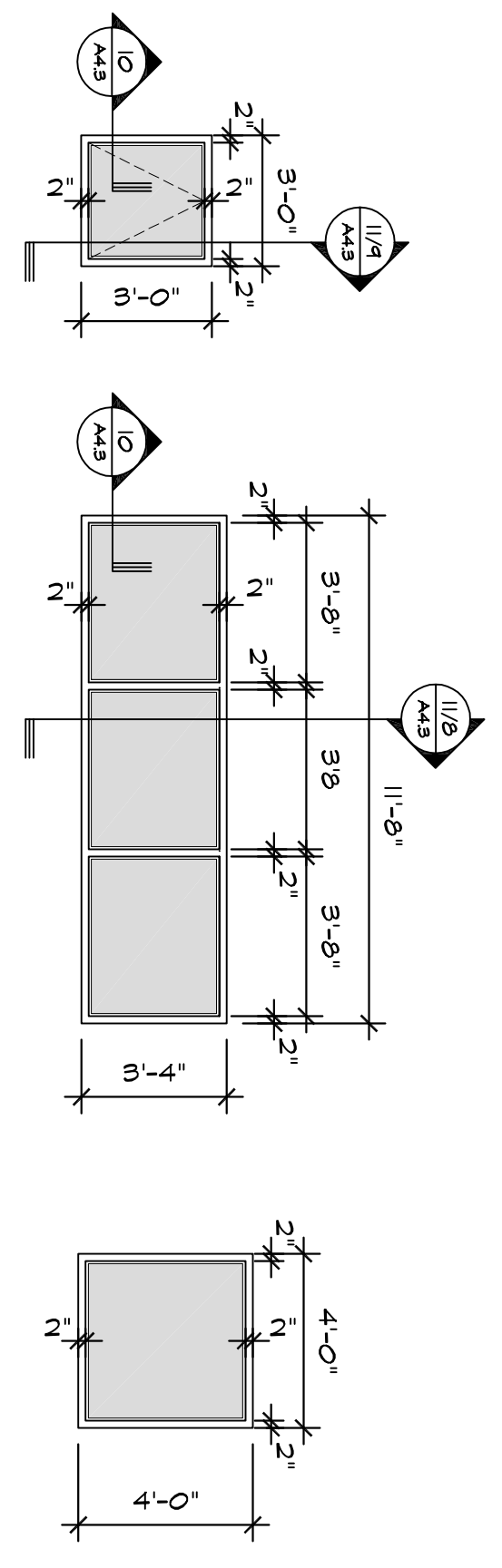
INTERIOR M.M. FRAME DETAILS



4 HM. FRAME HEAD & JAMB @ CMU
1/2" x 1'-0"

5 HM. FRAME HEAD & JAMB @ CMF
1/2" x 1'-0"

WINDOW TYPES



1 ALUMINUM FRAME

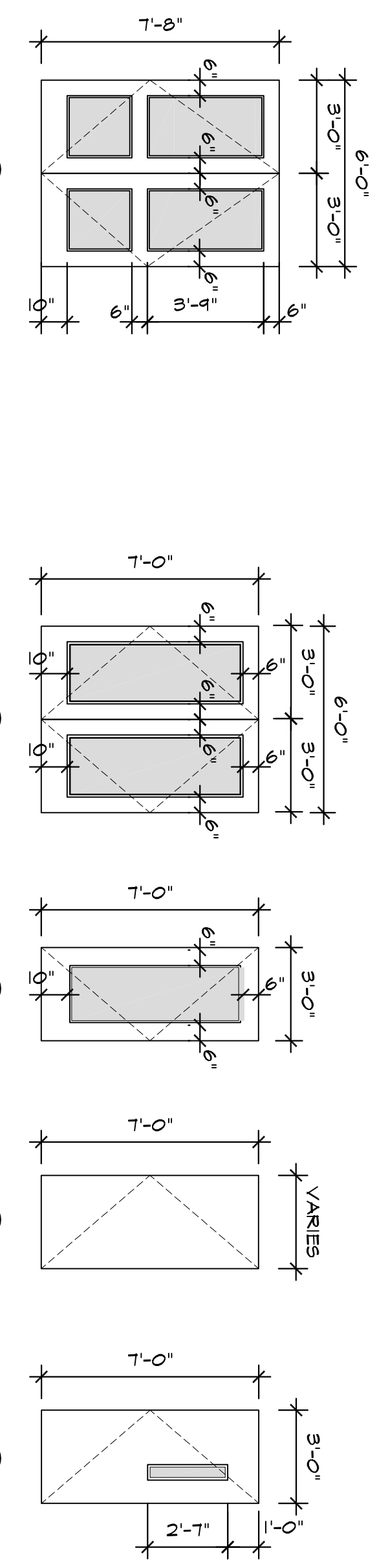
2 ALUMINUM FRAME

3 HOLLOW METAL FRAME RATED WIRE SHUTTERS

4 ALUMINUM FRAME COORDINATE W/ TRUSS R.O.

5 ALUMINUM FRAME COORDINATE W/ TRUSS R.O.

DOOR TYPES



1 ALUMINUM DOOR WITH LITES

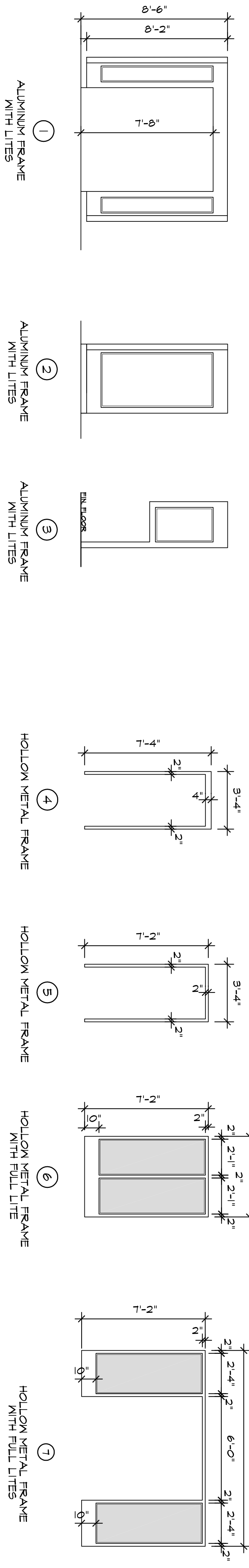
2 DOUBLE WOOD DOOR WITH FULL LITE

3 SINGLE WOOD DOOR WITH FULL LITE

4 WOOD DOOR

5 WOOD DOOR

FRAME TYPES



1 ALUMINUM FRAME WITH LITES

2 ALUMINUM FRAME WITH LITES

3 ALUMINUM FRAME WITH LITES

4 HOLLOW METAL FRAME

5 HOLLOW METAL FRAME

6 HOLLOW METAL FRAME WITH FULL LITE

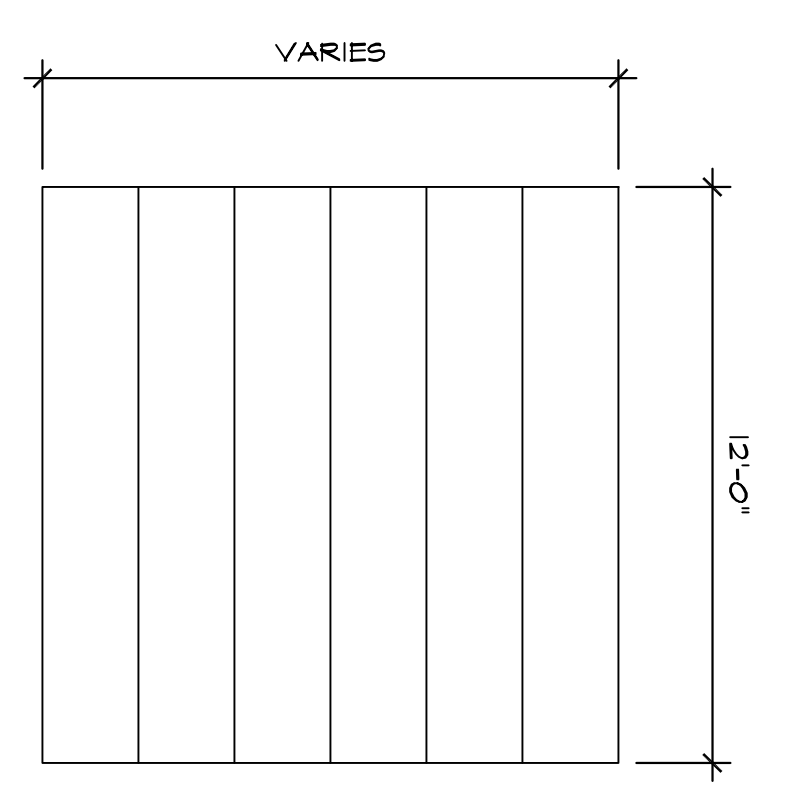
7 HOLLOW METAL FRAME WITH FULL LITE

DOOR AND FRAME SCHEDULE

Number	DOOR			FRAME			FIRE RATING	HDMR TYPE	NOTES
	Type	WD	HGT	Type	HEAD	JAMB			
511	1	3-0	7-0	4	4/A4.2	4/A4.2	--	6	--
512	1	3-0	7-0	4	3/A4.3	4/A4.3	4/A4.3	3	--
513	1	3-0	7-0	4	4/A4.2	4/A4.2	--	6	--
521	1	3-0	7-0	4	4/A4.2	4/A4.2	4/A4.3	3	--
522	1	3-0	7-0	4	4/A4.2	4/A4.2	4/A4.3	3	--
523	1	3-0	7-0	4	4/A4.2	4/A4.2	--	6	--
1011	1	6-0	7-0	1	--	--	--	1	STOREFRONT ASSEMBLY
1012	1	6-0	7-0	5	5/A4.2	5/A4.2	--	2	STOREFRONT ASSEMBLY
1051	4	3-0	7-0	5	5/A4.2	5/A4.2	--	1	
1052	5	3-0	7-0	5	4/A4.2	4/A4.2	--	7	
1061	1	3-0	7-0	5	4/A4.2	4/A4.2	60 MIN	6	
1062	1	3-0	7-0	5	4/A4.2	4/A4.2	--	1	
1071	4	3-0	7-0	5	5/A4.2	5/A4.2	--	5	
1081	4	3-0	7-0	5	5/A4.2	5/A4.2	--	5	
1091	4	3-0	7-0	5	5/A4.2	5/A4.2	--	5	
1111	3	3-0	7-0	5	5/A4.2	5/A4.2	--	7	
1121	4	3-0	7-0	5	5/A4.2	5/A4.2	--	7	
1131	4	3-0	7-0	5	5/A4.2	5/A4.2	--	7	
1141	4	3-0	7-0	5	5/A4.2	5/A4.2	--	7	
1151	4	3-0	7-0	5	5/A4.2	5/A4.2	--	7	
1171	4	3-0	7-0	5	5/A4.2	5/A4.2	--	7	
1172	4	3-0	7-0	5	5/A4.2	5/A4.2	--	7	
1173	4	3-0	7-0	5	5/A4.2	5/A4.2	--	5	
1181	6	3-0	7-0	5	5/A4.2	5/A4.2	--	5	
1191	6	3-0	7-0	5	5/A4.2	5/A4.2	--	5	
1211	6	3-0	7-0	5	5/A4.2	5/A4.2	60 MIN	4	
2011	6	2-4	7-0	5	5/A4.2	5/A4.2	--	7	
2021	6	3-0	7-0	5	5/A4.2	5/A4.2	--	7	
2031	5	3-0	7-0	5	5/A4.2	5/A4.2	--	6	
2041	3	3-0	7-0	5	5/A4.2	5/A4.2	--	7	
2051	4	3-0	7-0	5	5/A4.2	5/A4.2	--	7	
2061	6	3-0	7-0	5	5/A4.2	5/A4.2	--	6	
2071	4	3-0	7-0	5	5/A4.2	5/A4.2	--	5	
2081	4	4-0	7-0	5	5/A4.2	5/A4.2	--	4	
2111	4	3-0	7-0	5	5/A4.2	5/A4.2	--	7	
2121	2	2-0	7-0	7	5/A4.2	5/A4.2	--	4	
2151	4	3-0	7-0	5	5/A4.2	5/A4.2	--	6	
2161	4	3-0	7-0	5	5/A4.2	5/A4.2	--	6	
2162	4	3-0	7-0	5	5/A4.2	5/A4.2	--	6	

NOTES:

- COORDINATE SPECIFIC LABELLING REQUIREMENTS FOR OPENINGS WITH APPLICABLE CODES AND CONSTRUCTION OF DOOR AND FRAME ASSEMBLIES.
 - ALL WOOD AND STEEL DOORS TO BE 1 3/4" THICK.
 - SEE SPECIFICATION AND DETAILS FOR SILLS AND THRESHOLDS.
 - PAINT ALL HM FRAME P-2.
 - ALL STEEL DOORS WITH CLOSERS TO RECEIVE KICK PLATES ON PUSH SIDE.
- TYPE A - (DOOR WIDTH MINUS 1") X 10" TYPE B - (DOOR WIDTH MINUS 1") X 30"



8 EXTERIOR DOORS INSULATED

