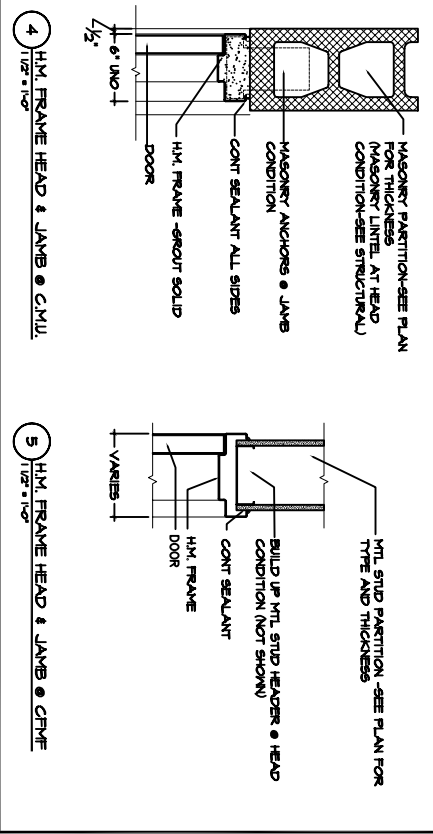
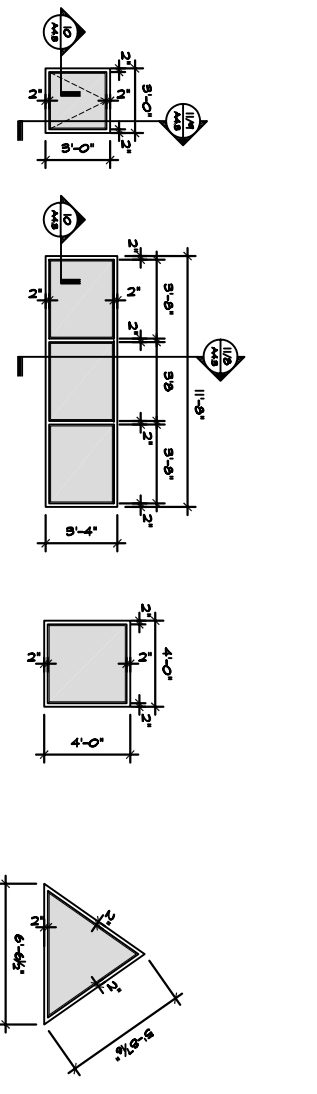


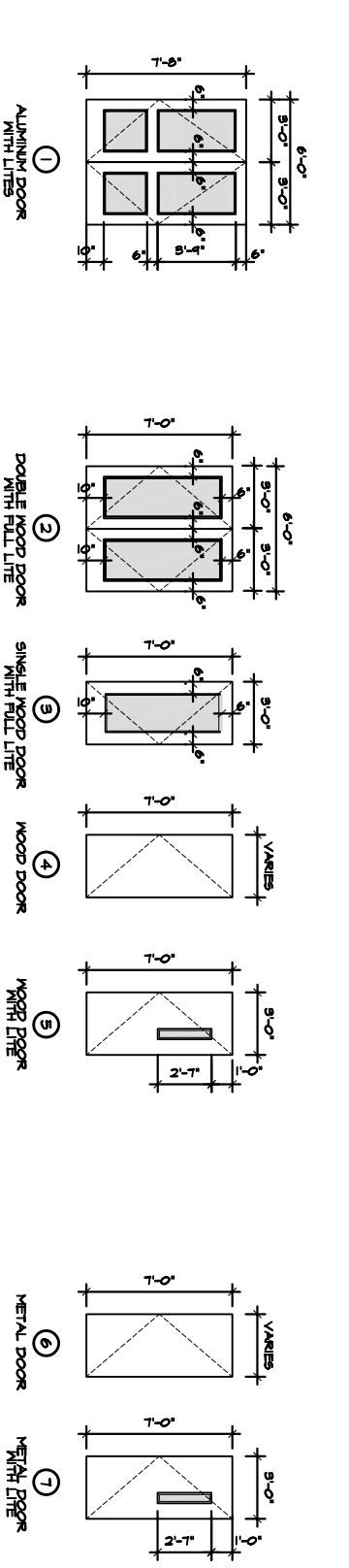
INTERIOR M.M. FRAME DETAILS



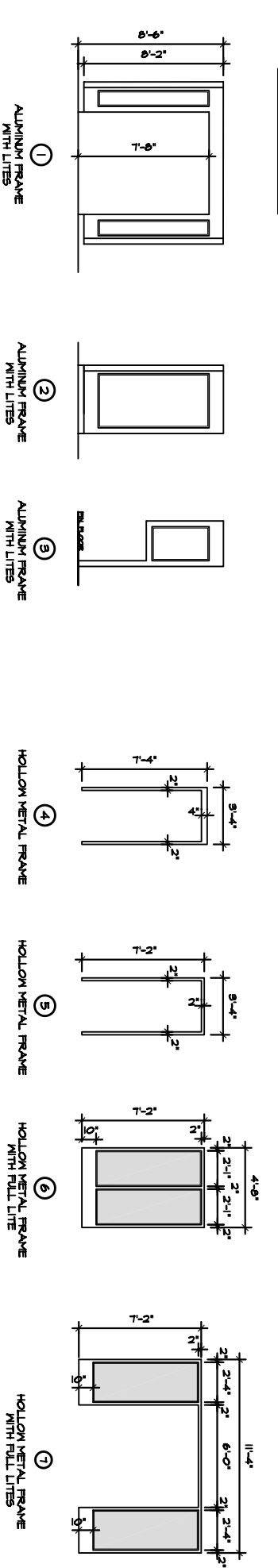
WINDOW TYPES



DOOR TYPES



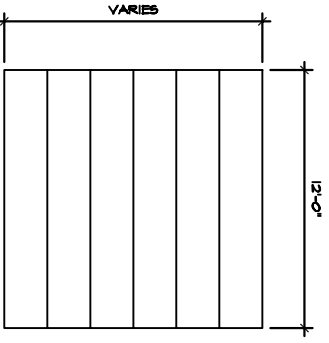
FRAME TYPES



DOOR AND FRAME SCHEDULE

Number	Type	DOOR			FRAME			FIRE RATING	HDMR TYPE	NOTES
		MD	HGT	Type	HEAD	JAMB	SILL			
511	7	3-0	7-0	4	4/A4.2	4/A4.2	-	60 MIN	6	-
512	7	3-0	7-0	4	3/A4.5	12/A4.5	4/A4.5	60 MIN	6	-
515	7	3-0	7-0	4	4/A4.2	4/A4.2	-	60 MIN	6	-
521	7	3-0	7-0	4	4/A4.2	4/A4.2	-	60 MIN	6	-
522	7	3-0	7-0	4	3/A4.5	12/A4.5	4/A4.5	60 MIN	6	-
525	7	3-0	7-0	4	4/A4.2	4/A4.2	-	60 MIN	6	-
1011	1	6-0	7-0	1	-	-	-	-	2	STOREFRONT ASSEMBLY
1012	1	3-0	7-0	5	5/A4.2	5/A4.2	-	-	7	STOREFRONT ASSEMBLY
1061	4	3-0	7-0	5	5/A4.2	5/A4.2	-	-	7	-
1062	4	3-0	7-0	5	4/A4.2	4/A4.2	-	60 MIN	6	-
1071	7	3-0	7-0	5	5/A4.2	5/A4.2	-	-	7	-
1081	4	3-0	7-0	5	5/A4.2	5/A4.2	-	-	5	-
1091	4	3-0	7-0	5	5/A4.2	5/A4.2	-	-	7	-
1111	4	3-0	7-0	5	5/A4.2	5/A4.2	-	-	7	-
1121	4	3-0	7-0	5	5/A4.2	5/A4.2	-	-	7	-
1131	4	3-0	7-0	5	5/A4.2	5/A4.2	-	-	7	-
1141	4	3-0	7-0	5	5/A4.2	5/A4.2	-	-	7	-
1151	4	3-0	7-0	5	5/A4.2	5/A4.2	-	-	7	-
1162	4	12-0	14-0	-	7/A4.5	12/A4.5	4/A4.5	-	-	-
1163	4	12-0	14-0	-	14/A4.5	12/A4.5	4/A4.5	-	-	-
1164	7	9-0	7-0	5	7/A4.5	5/6/A4.5	4/A4.5	-	3	-
1171	7	9-0	7-0	5	7/A4.5	5/A4.2	-	-	3	-
1172	4	9-0	7-0	5	7/A4.5	5/6/A4.5	4/A4.5	-	3	-
1173	4	9-0	7-0	5	7/A4.5	12/A4.5	-	-	3	-
1181	6	6-0	7-0	5	5/A4.2	5/A4.2	-	-	5	-
1191	6	6-0	7-0	5	5/A4.2	5/A4.2	-	-	5	-
1211	6	6-0	7-0	5	5/A4.2	5/A4.2	-	60 MIN	4	-
2011	6	2-4	7-0	5	5/A4.2	5/A4.2	-	-	7	-
2021	6	3-0	7-0	5	5/A4.2	5/A4.2	-	-	7	-
2031	5	3-0	7-0	5	5/A4.2	5/A4.2	-	-	7	-
2041	3	3-0	7-0	5	5/A4.2	5/A4.2	-	-	7	-
2051	4	3-0	7-0	5	5/A4.2	5/A4.2	-	-	7	-
2061	6	3-0	7-0	5	5/A4.2	5/A4.2	-	-	5	-
2071	4	4-0	7-0	5	5/A4.2	5/A4.2	-	-	4	-
2081	4	4-0	7-0	5	5/A4.2	5/A4.2	-	-	4	-
2111	4	4-0	7-0	5	5/A4.2	5/A4.2	-	-	7	-
2121	4	3-0	7-0	5	5/A4.2	5/A4.2	-	-	4	-
2131	4	3-0	7-0	5	5/A4.2	5/A4.2	-	-	4	-
2141	4	3-0	7-0	5	5/A4.2	5/A4.2	-	-	4	-

- NOTES:
- COORDINATE SPECIFIC LABELING REQUIREMENTS FOR OPENINGS WITH APPLICABLE CODES AND CONSTRUCTION OF DOOR AND FRAME ASSEMBLIES.
 - ALL DOOR AND STEEL DOORS TO BE 3/4" THICK.
 - SEE SPECIFICATIONS AND DETAILS FOR SILLS AND THRESHOLDS.
 - PAINT ALL METAL FRAME P-2.
 - ALL STEEL DOORS WITH CLOSERS TO RECEIVE KICK PLATES ON RISE SIDE. THE A - (DOOR WIDTH MINUS 1") X 10". THE B - (DOOR WIDTH MINUS 1") X 30".



COMMON DOOR - HOLLOW METAL

