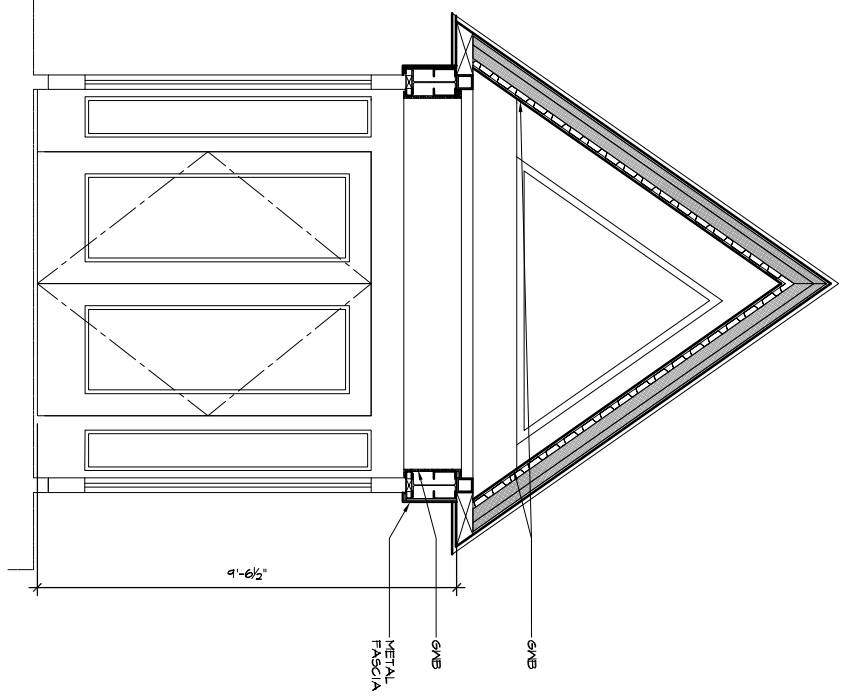
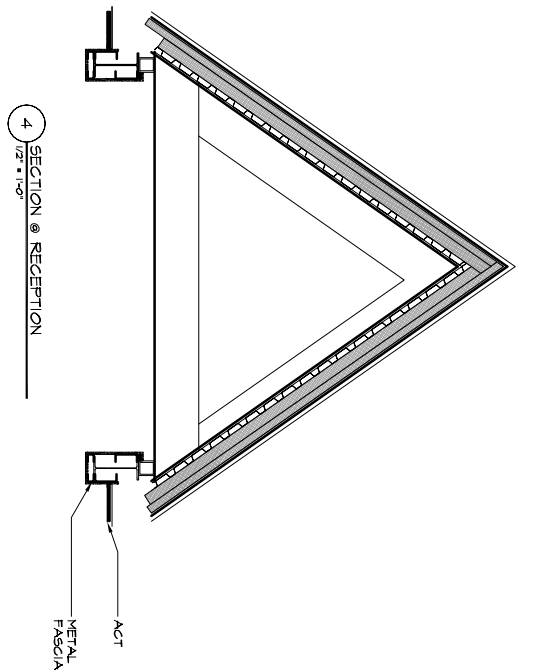


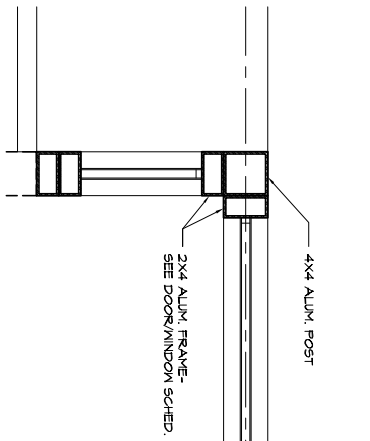
6 SECTION @ EXTERIOR ENTRY CANOPY
1/2" = 1'-0"



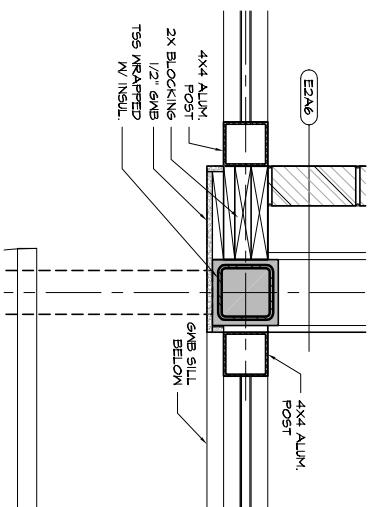
5 SECTION @ ENTRY VESTIBULE
1/2" = 1'-0"



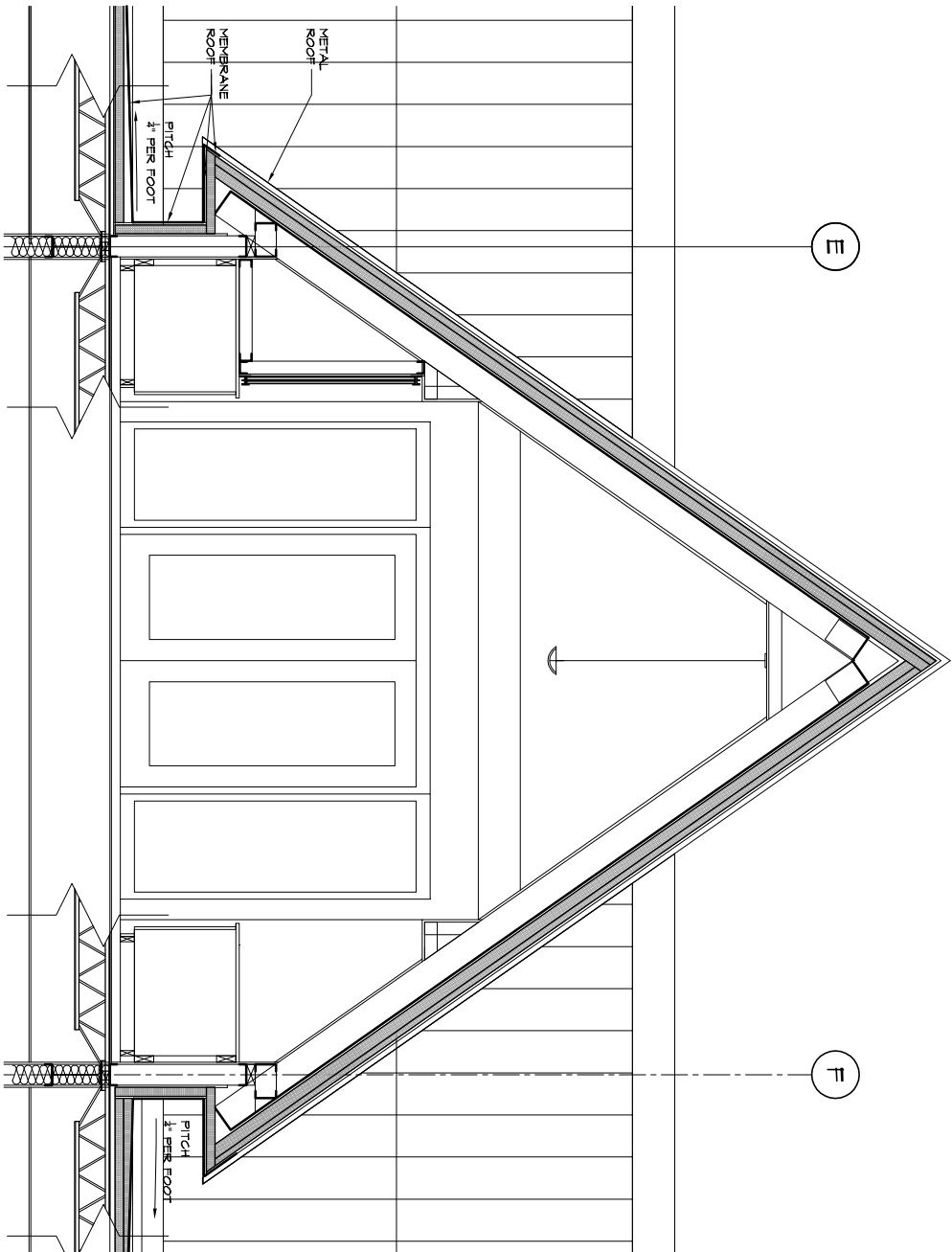
4 SECTION @ RECEPTION
1/2" = 1'-0"



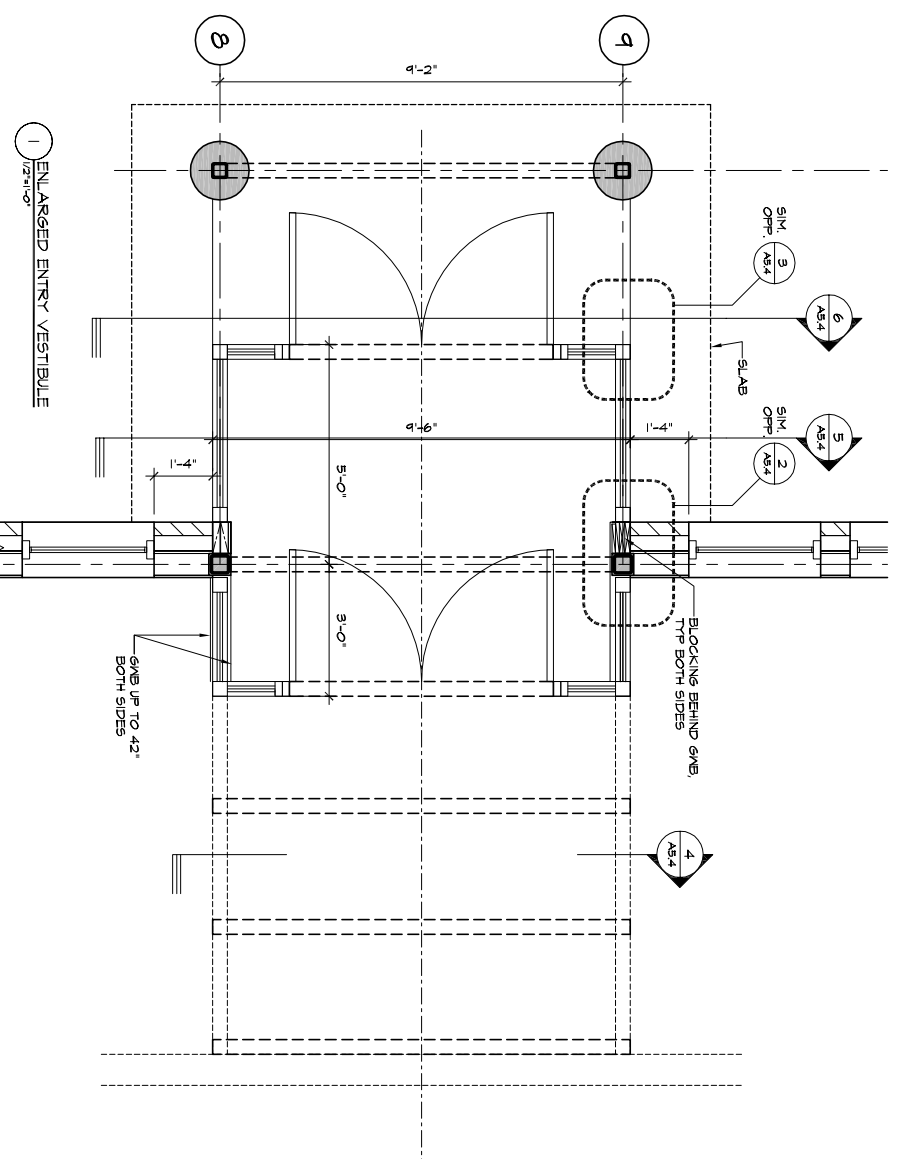
3 PLAN DETAIL @ ALUM. FRAME
1/2" = 1'-0"



2 PLAN DETAIL @ ALUM. FRAME
1/2" = 1'-0"



7 SECTION @ CONFERENCE ROOM
1/2" = 1'-0"



1 ENLARGED ENTRY VESTIBULE
1/2" = 1'-0"

TITLE	GABLE SECTIONS, ENTRY PLAN, DETAILS
ISSUE	PERMIT SET JUNE 23, 2006
SCALE	AS NOTED
DRWN. CHK.	EBR
JOB NO.	05-136
DATE	05-13-06
SHEET	A5.4