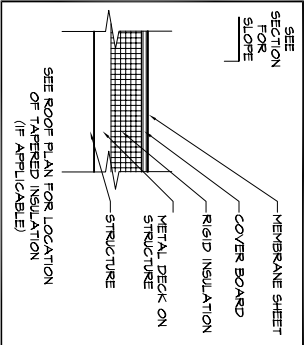
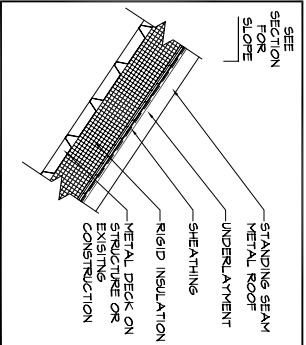


**ROOF SYSTEMS**

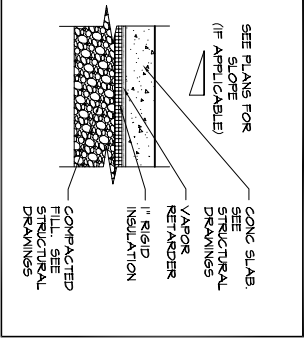


**SINGLE-PLY MEMBRANE ROOFING**  
R1

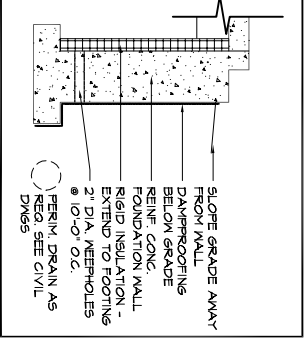


**STANDING SEAM METAL ROOF**  
R4

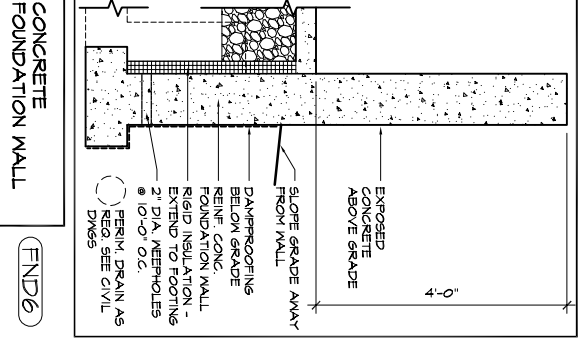
**FOUNDATION & FLOOR SYSTEMS**



**CONCRETE SLAB ON GRADE - INSULATED**  
F2

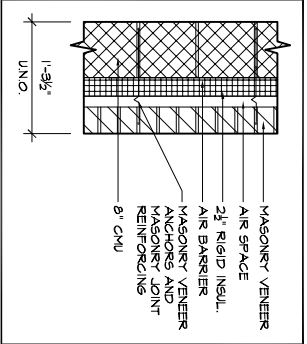


**TYP. CONCRETE FOUNDATION WALL**  
FND1

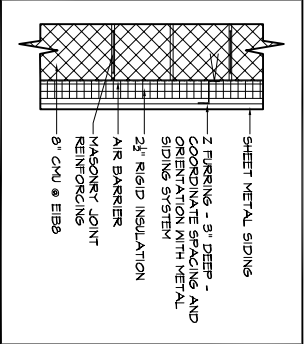


**CONCRETE FOUNDATION WALL**  
FND6

**EXTERIOR WALL SYSTEMS**

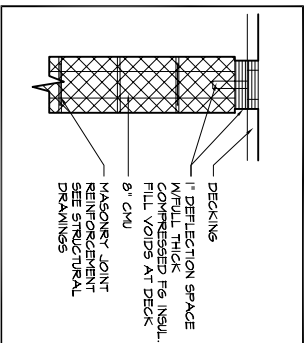


**MASONRY VENEER AT 8" CMU**  
E1A8

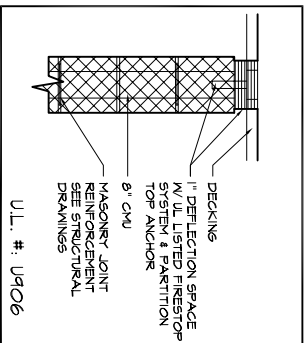


**SHEET METAL SIDING AT 8" CMU**  
E1B8

**INTERIOR WALL SYSTEMS**

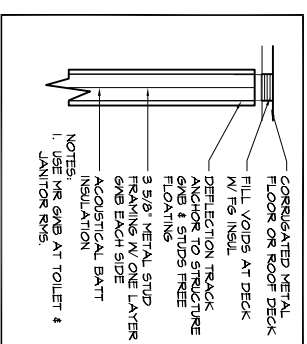


**8" CMU-FILL HEIGHT**  
IAB

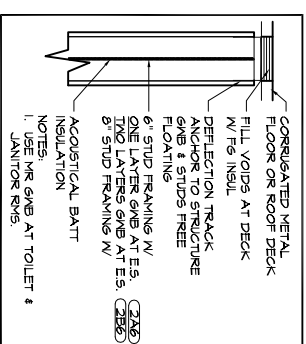


**8" CMU-FILL HEIGHT HOUR FIRE-RATED**  
IAB-1  
ONE HOUR RATING SYMBOL

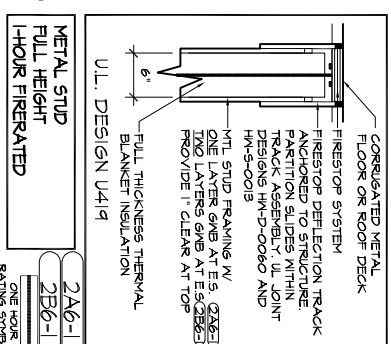
**INTERIOR WALL SYSTEMS**



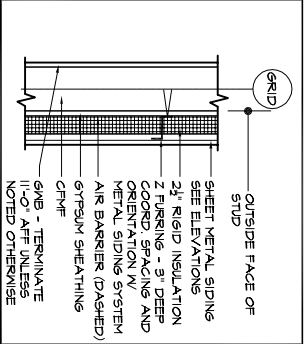
**3 5/8" METAL STUD FILL HEIGHT**  
2A3



**METAL STUD PARTITION FILL HEIGHT**  
2A6  
2B6  
ONE HOUR RATING SYMBOL



**METAL STUD FILL HEIGHT HOUR FIRE-RATED**  
2A6-1  
2B6-1  
ONE HOUR RATING SYMBOL



**MASONRY VENEER AT 6" CMU**  
E2A6  
STRUCTURE IN STUD CAVITY



**SHEET METAL SIDING AT 6" CMU**  
E2B6  
STRUCTURE IN STUD CAVITY

**GENERAL NOTES**

1. PROVIDE 1" MIN. CLEAR WHERE STRUCTURAL, MECHANICAL, OR ELECTRICAL ITEMS PENETRATE THROUGH WALLS WITH F6 BATT INSULATION AT UNRATED WALLS AND FIRESTOPPING SYSTEM AT RATED WALLS.
2. USE PREFORMED COMPRESSED WHERE FILLED AT TOP OF WALL.
3. INTERIOR CMU PARTITIONS NOT NEOPRENE FILLED AND TYPE IAB.
4. INTERIOR METAL STUD PARTITIONS NOT NEOPRENE FILLED AND TYPE 2A6.
5. SEE PLANS AND INTERIOR ELEVATIONS FOR LOCATIONS AND APPLICABLE SMOKE- OR FIRE-RATING SYMBOLS (GMB, GROUND-FACE-CMU) (GFB).

**LEGEND**

- MATERIALS**
- GRAVEL
  - CONCRETE MASONRY UNIT
  - BRICK
  - CONCRETE
  - SOIL
  - METAL STUD PARTITION
  - STEEL
  - WOOD FRAMING
  - WOOD BLOCKING
  - PLYWOOD
  - GYPSUM BOARD
  - SUSPENDED ACOUSTIC CEILING
  - BATT INSULATION
  - RIGID INSULATION
  - EXPANSION MATERIAL
  - FINISH WOOD
  - STONE
  - EXISTING CONSTRUCTION TO REMAIN
  - EXISTING WALL TO REMAIN
  - EXISTING WALL TO BE REMOVED

**SYMBOLS**

- FLUVENT FIXTURE
- BARRIER FREE FIXTURE
- ROOM NUMBER
- DOOR NUMBER
- WINDOW TYPE
- BORROWED LIGHT TYPE
- FLOOR LEVEL CHANGE AT WALL
- BUILDING SECTION
- WALL SECTION
- DETAIL, ON DRAWINGS OR IN DETAIL BOOK/VOLUME 5
- WALL OR ROOF TYPE
- INTERIOR ELEVATION
- EXTERIOR ELEVATION
- TOILET REFERENCE
- VERTICAL ELEVATION
- COLUMN CENTERLINE

- 2 HOUR RATED FIRE SEPARATION
- 1 HOUR RATED FIRE SEPARATION
- SMOKE PARTITION