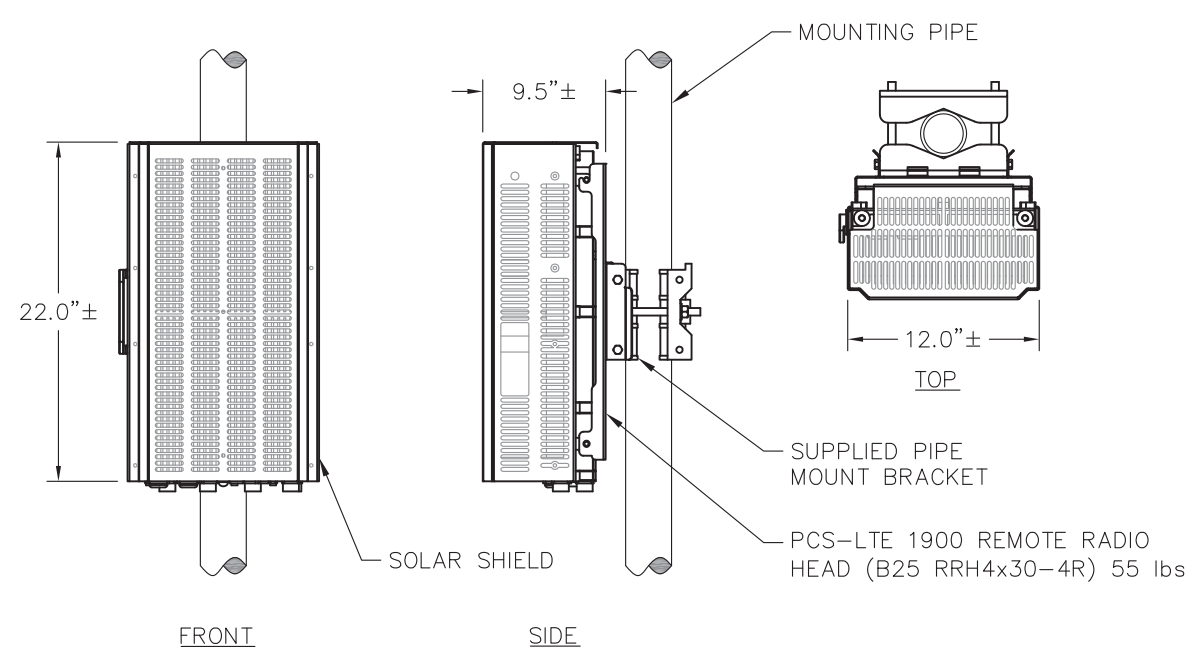


(P) AWS RRH MOUNTING DETAIL

SCALE: NONE

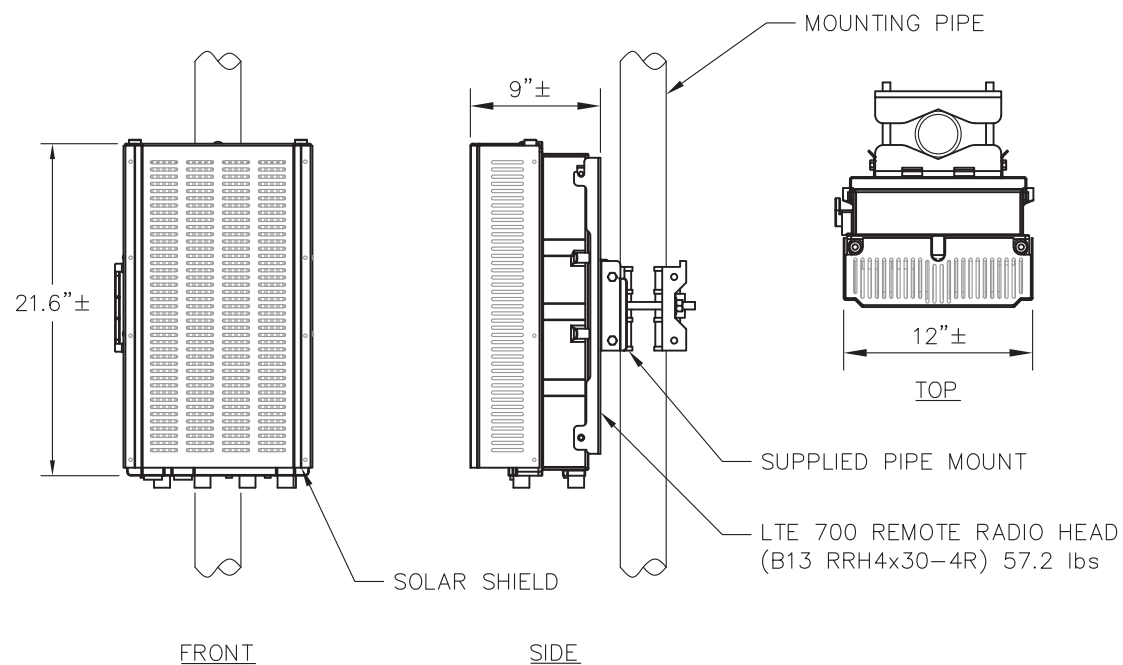
1
S-3



(P) PCS RRH MOUNTING DETAIL

SCALE: NONE

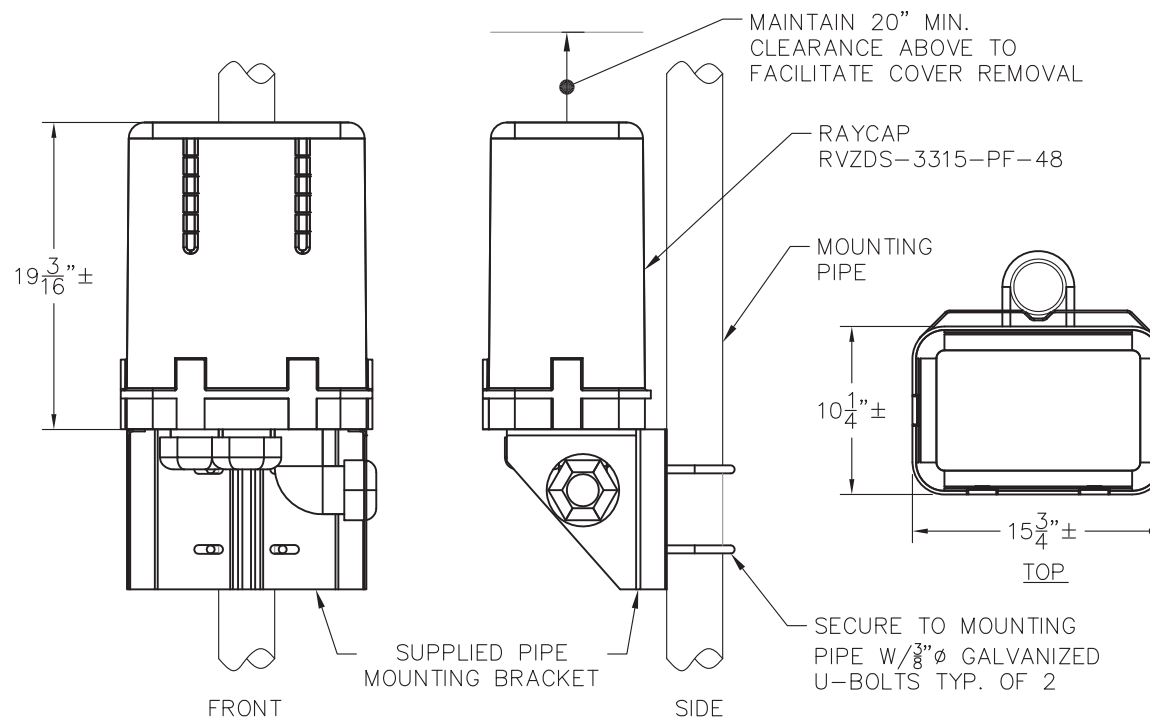
3
S-3



(P) 700 RRH MOUNTING DETAIL

SCALE: NONE

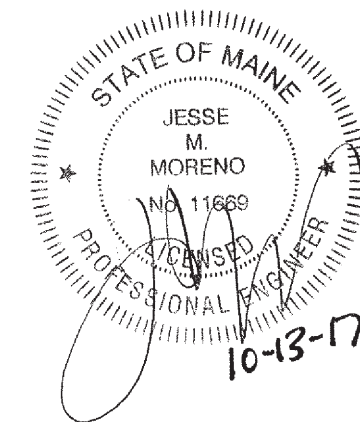
2
S-3



(E)/(P) LARGE JUNCTION BOX MOUNTING DETAIL

SCALE: NONE

4
S-3



INSTALLATION NOTES:

1. INSTALL ALL EQUIPMENT, MOUNTING BRACKETS, AND HARDWARE IN ACCORDANCE WITH MANUFACTURER'S RECOMMENDATIONS.
2. GROUND DISTRIBUTION BOXES, MOUNTING PIPES, AND RRHS IN ACCORDANCE WITH MANUFACTURER'S RECOMMENDATIONS.
3. INSTALL EQUIPMENT AND MOUNTING BRACKETS TO PRESERVE CLIMBING ACCESS ON TOWER.
4. EQUIPMENT TO BE INSTALLED AT VERIZON RAD. CENTER IN ACCORDANCE WITH GLOBAL TOWER STRUCTURAL ANALYSIS (BY OTHERS.)

ProTerra
DESIGN GROUP, LLC

4 Bay Road
Building A, Suite 200
Hadley, MA 01035 (413)320-4918

verizon

118 FLANDERS ROAD
THIRD FLOOR
WESTBOROUGH, MA 01581

**PORTLAND N ME
2017 UPGRADE
LOCATION CODE 136464
AMERICAN TOWER SITE#: 10047**
222 RIVERSIDE INDUSTRIAL PKWY
PORTLAND, ME 04103

REVISIONS	
0	2017 RFDS REV3 DATED OCTOBER 10, 2017

DESIGNED BY: JWG/JMM JOB #: 17-071

DRAWN BY: TBD REV. #: 0

DATE: 10/13/17

SHEET: 4 OF 4

S-3