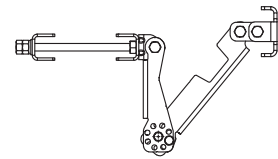


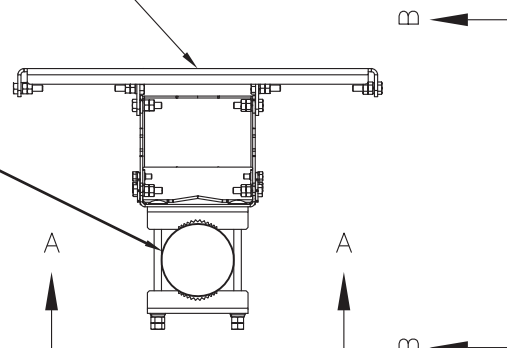
SECTION A-A



SECTION B-B

SIDE-BY-SIDE MOUNTING KIT
COMMSCOPE (P/N BSAMNT-SBS-1-2),
TYP. OF 1 PER SECTOR (3 TOTAL)

(P) MOUNTING PIPE, TYP.
ORDER SEPARATELY



PLAN VIEW

12' HD V-BOOM ASSEMBLY
W/TIEBACK (3' STANDOFF) SABRE
INDUSTRIES (P/N C10857111CDP),
TYP. OF 1 PER SECTOR (3 TOTAL)

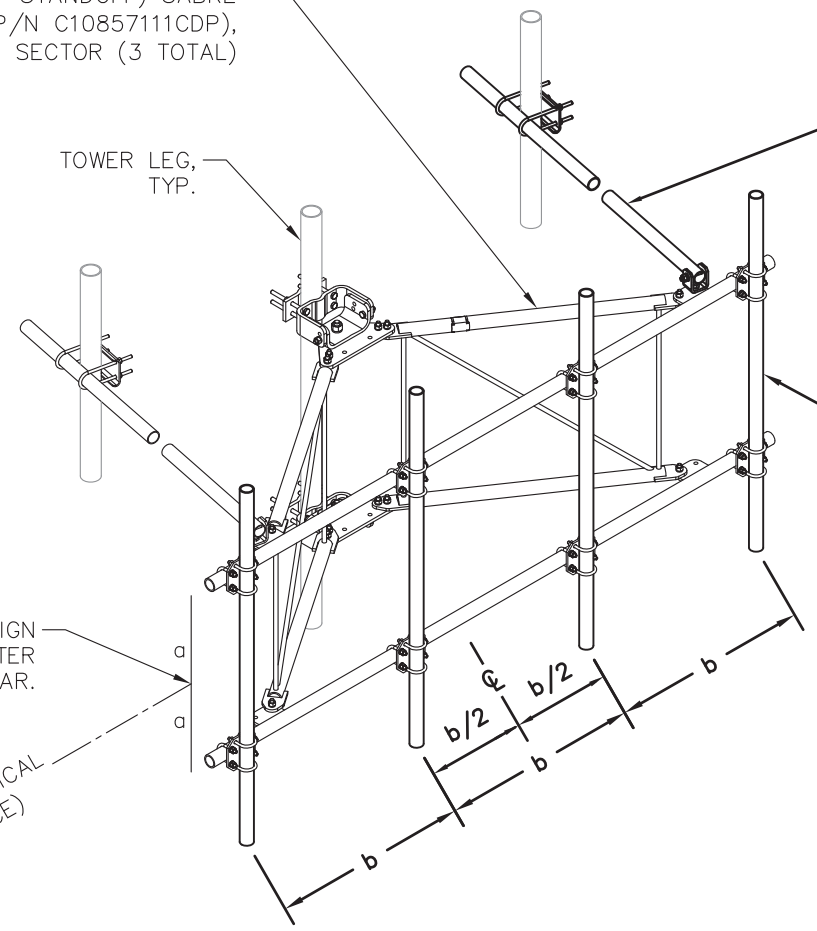
TOWER LEG,
TYP.

(P) ADD 2nd TIE BACK KIT
SABRE INDUSTRIES (P/N
C10179001DP), TYP. OF 1
PER SECTOR (3 TOTAL)

(P) SCH40 GALV. (2.875" O.D.
x 0.203" WALL) MOUNTING
PIPE (8'-0" LONG) ORDER
SEPARATELY, TYP. OF 4 PER
SECTOR (12 TOTAL)

VERTICALLY ALIGN
ANTENNA RAD CENTER
BETWEEN CROSSBAR.

RAD ϕ 272' \pm (6" \pm VERTICAL
ECCENTRICITY TOLERANCE)



(P) DUAL ANTENNA MOUNTING BRACKET DETAIL

SCALE: NONE

1
S-2

(P) SECTOR FRAME

SCALE: NONE

2
S-2

REVISIONS	
0	2017 RFDS REV3 DATED OCTOBER 10, 2017

DESIGNED BY:	JWG/JMM	JOB #:	17-071
DRAWN BY:	TBD	REV. #:	0
DATE:	10/13/17	S-2	
SHEET:	3 OF 4		