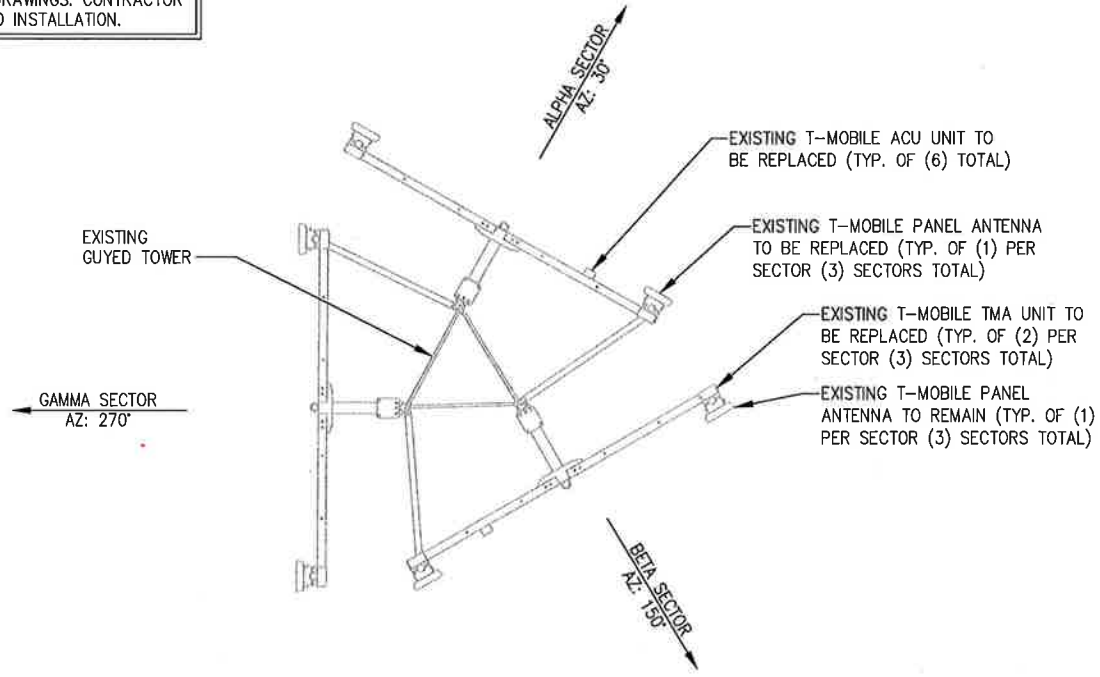
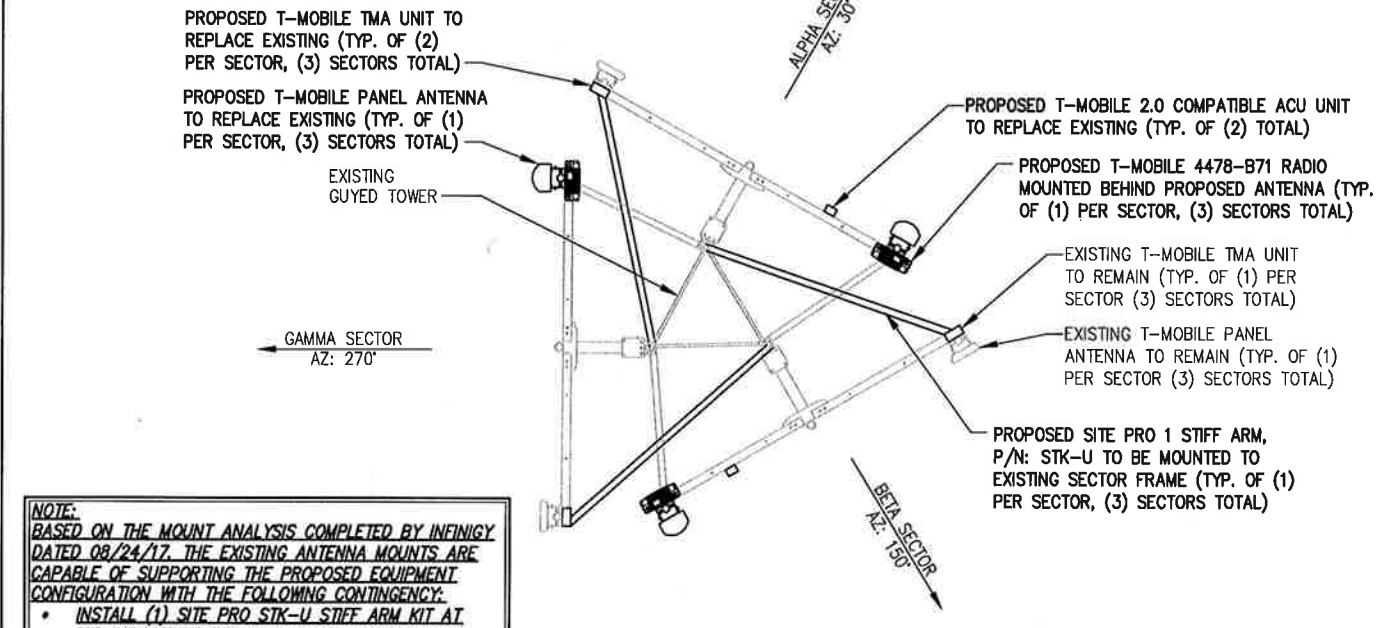


INFINIGY HAS NOT FIELD VERIFIED THE EXISTING T-MOBILE EQUIPMENT AT TIME OF ISSUANCE OF THE DRAWINGS. CONTRACTOR TO VERIFY PRIOR TO INSTALLATION.

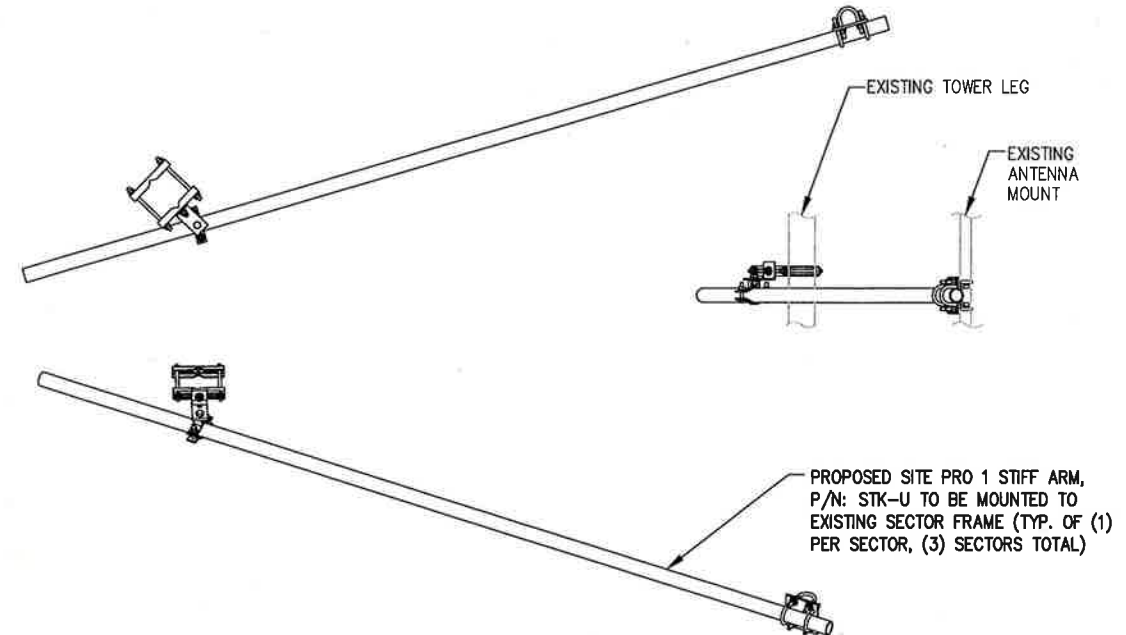


**1 ANTENNA ORIENTATION (EXISTING)**  
NOT TO SCALE  
CALLED NORTH



**NOTE:**  
BASED ON THE MOUNT ANALYSIS COMPLETED BY INFINIGY DATED 08/24/17, THE EXISTING ANTENNA MOUNTS ARE CAPABLE OF SUPPORTING THE PROPOSED EQUIPMENT CONFIGURATION WITH THE FOLLOWING CONTINGENCY:  
• INSTALL (1) SITE PRO STK-U STIFF ARM KIT AT MID-HEIGHT ON THE UN-BRACED END OF EACH SECTOR FRAME PRIOR TO THE INSTALLATION OF THE PROPOSED EQUIPMENT.

**2 ANTENNA ORIENTATION (PROPOSED)**  
NOT TO SCALE  
CALLED NORTH



**3 STIFF ARM DETAIL**  
NOT TO SCALE

**4 DETAIL NOT USED**  
NOT TO SCALE

SUBMITTALS		
DATE	DESCRIPTION	REVISION
08/13/17	ISSUED FOR PERMIT	0

DEPT.	DATE	APP'D	REVISIONS
RFE			
RF MAN.			
ZONING			
OPS			
CONSTR.			
SITE AC.			

PROJECT NO: 317-501  
DRAWN BY: MPS  
CHECKED BY: ASW



THIS DOCUMENT IS THE CREATION, DESIGN, PROPERTY AND COPYRIGHTED WORK OF T-MOBILE. ANY DUPLICATION OR USE WITHOUT EXPRESS WRITTEN CONSENT IS STRICTLY PROHIBITED.

NOTE: IF DRAWINGS ARE 22"x34", USE GRAPHICAL SCALE AND/OR 1/2 TIMES OF THE NOTED SCALE.

SITE NUMBER:  
**4DN2267B**  
SITE NAME:  
ME267 / DORLER TOWER (ATS)  
220 RIVERSIDE INDUSTRIAL PARKWAY  
PORTLAND, ME 04103

SHEET TITLE  
**ANTENNA ORIENTATION & RF SCHEDULE**

SHEET NUMBER  
**C-3**  
SHEET 4 OF 8 SHEETS