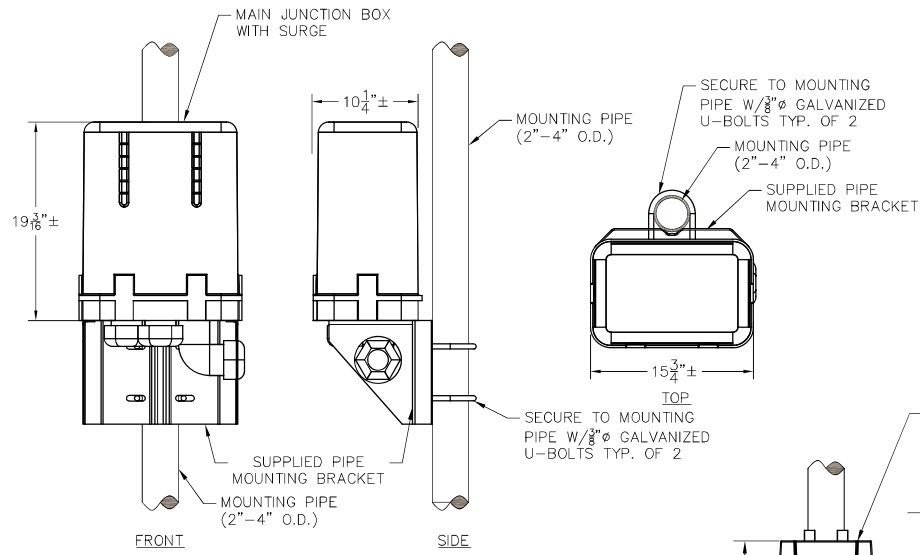
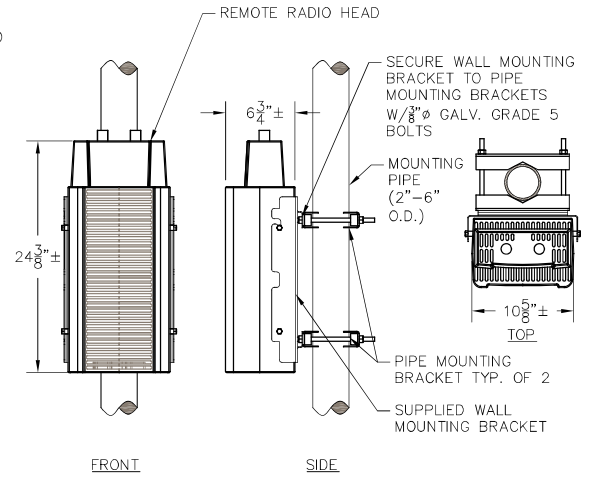


EQUIPMENT MOUNTING DETAIL 1
SCALE: NONE S-1



JUNCTION BOX WITH SURGE PIPE MOUNTING DETAIL 2
SCALE: NONE S-1

- INSTALLATION NOTES:**
1. INSTALL ALL EQUIPMENT, MOUNTING BRACKETS, AND HARDWARE IN ACCORDANCE WITH MANUFACTURER'S RECOMMENDATIONS.
 2. GROUND DISTRIBUTION BOXES, MOUNTING PIPES, AND RRHS IN ACCORDANCE WITH MANUFACTURER'S RECOMMENDATIONS.
 3. INSTALL EQUIPMENT AND MOUNTING BRACKETS TO PRESERVE CLIMBING ACCESS ON TOWER.
 4. EQUIPMENT TO BE INSTALLED AT VERIZON RAD. CENTER IN ACCORDANCE WITH TOWER STRUCTURAL ANALYSIS BY OTHERS.



RRH PIPE MOUNTING DETAIL 3
SCALE: NONE S-1

ProTerra
DESIGN GROUP, LLC

1 Short Street
Suite 3
Northampton, MA 01060

Ph: (413)320-4918
Fax: (413)320-4917

400 FRIBERG PARKWAY
WESTBOROUGH, MA 01581

PORTLAND N ME HD

TOWER OWNER: AMERICAN TOWER
SITE #: 10047
225 RIVERSIDE INDUSTRIAL PKWY
PORTLAND, ME 04103

REVISIONS	

DESIGNED BY:	JMM/TEJ	JOB #:	12-048
DRAWN BY:	JEB	REV. #:	0
DATE:	4/29/13	S-1	
SHEET:	2 OF 2		