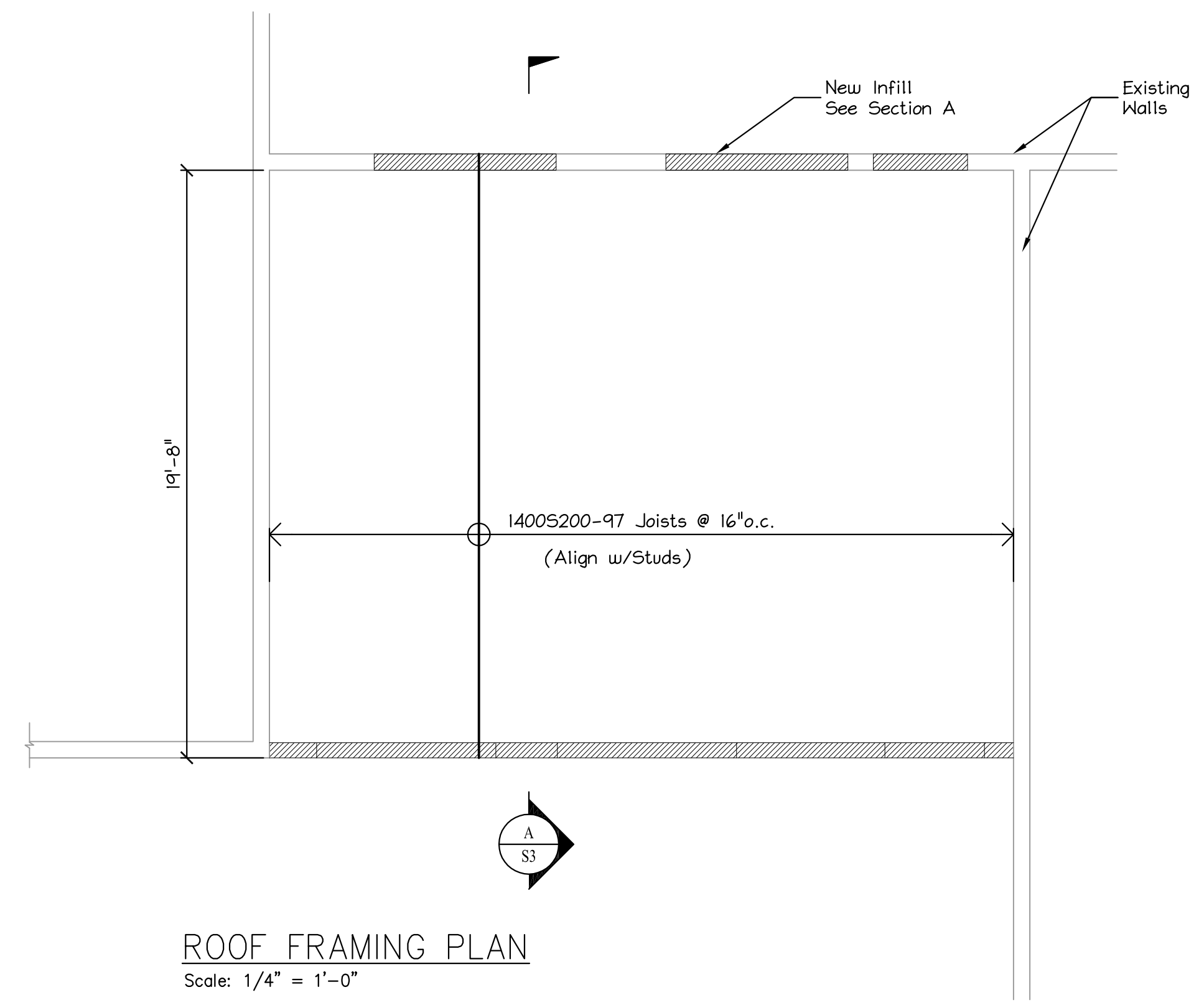
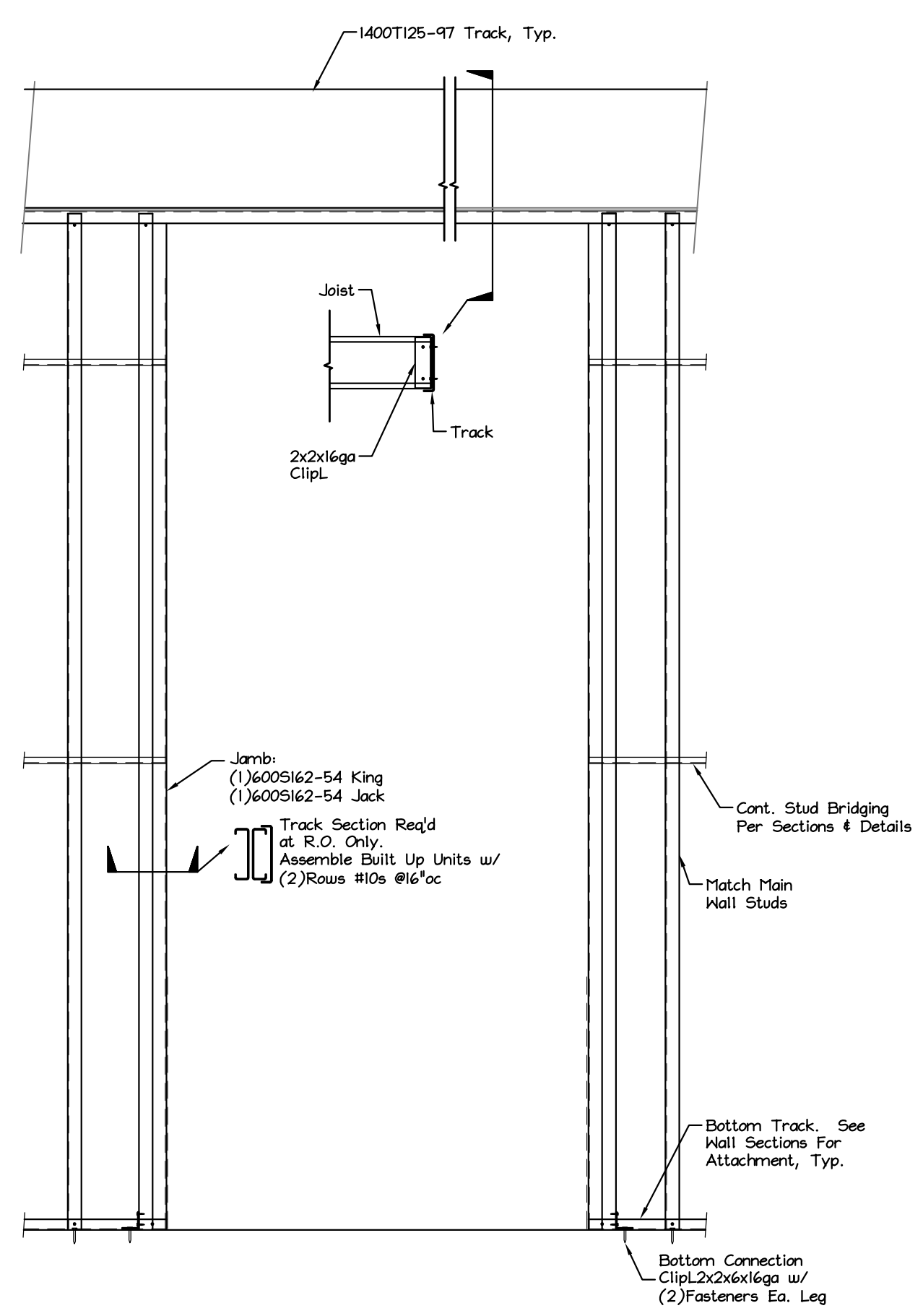


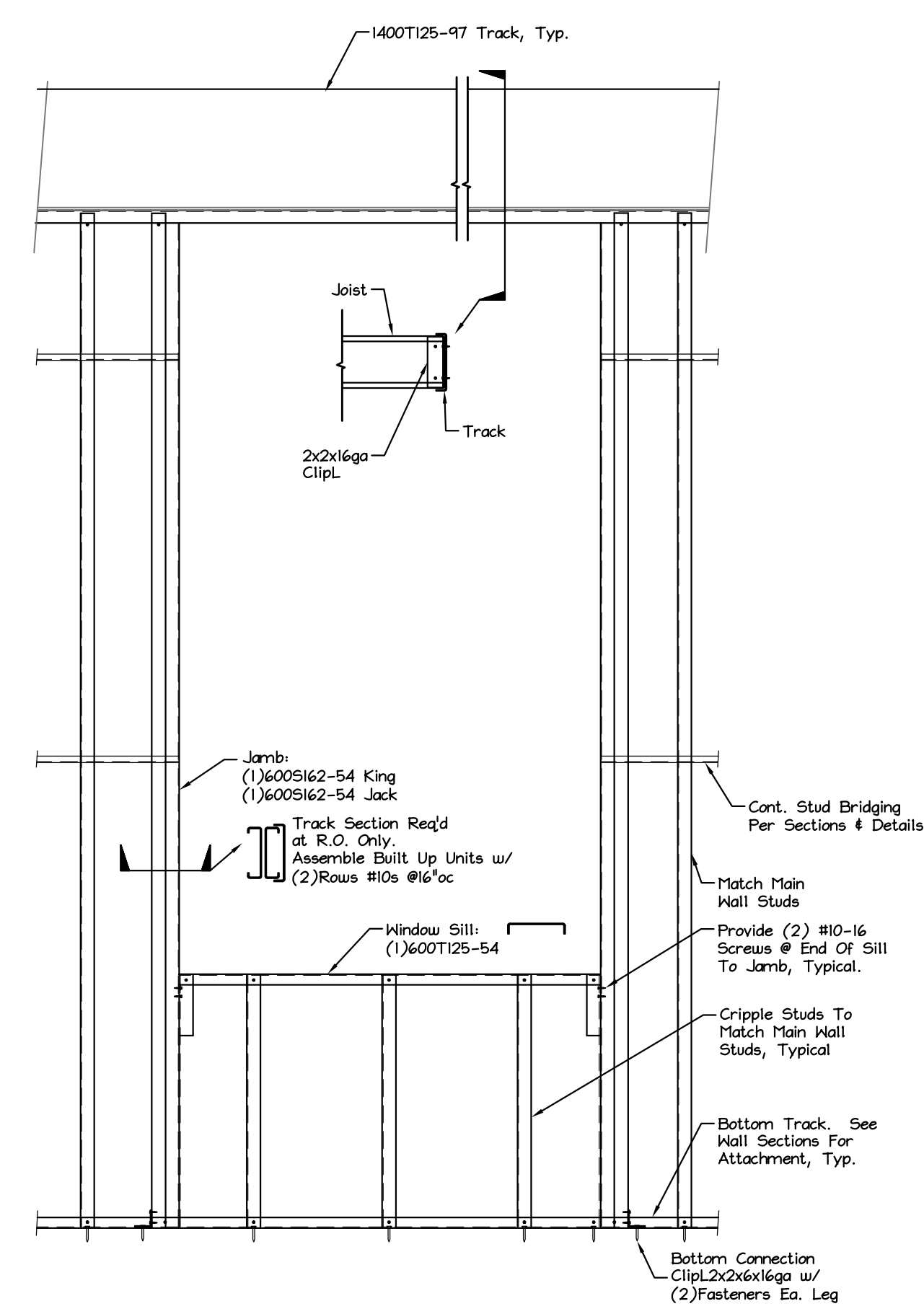
SECTION - A
Scale: 1/2" = 1'-0"



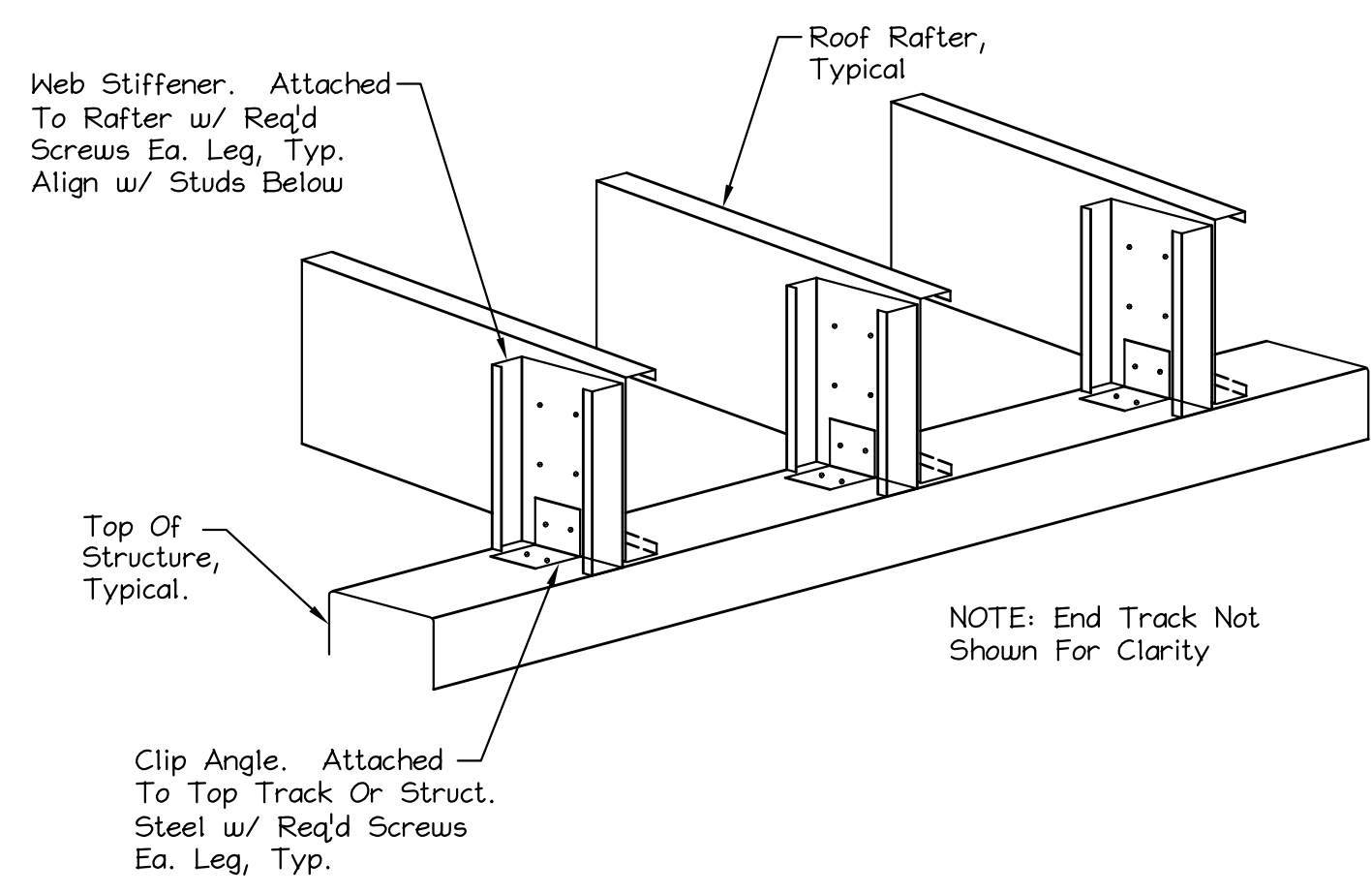
ROOF FRAMING PLAN
Scale: 1/4" = 1'-0"



TYPICAL DOOR ELEVATION / LOAD BEARING
N.T.S.

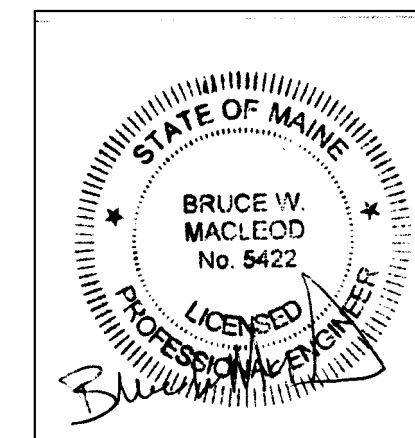


TYPICAL WINDOW ELEVATION / LOAD BEARING
N.T.S.



RAFTER TO STIFFENER CONNECTION DETAIL
Scale: N.T.S.

ISSUED 6/14/17



MacLeod Structural Engineers, PA		
80 Bridge Street, Suite 252 Westbrook, Maine 04092 207.839.0980		
Form Systems Addition		
200 Riverside Industrial Parkway Portland, Maine		
TITLE: FLOOR AND ROOF FRAMING PLANS		
DATE: 6/12/17	DRAWN BY: BIM	DRAWING NUMBER: S-3
SCALE: as noted	PROJ NO: 2017-048	