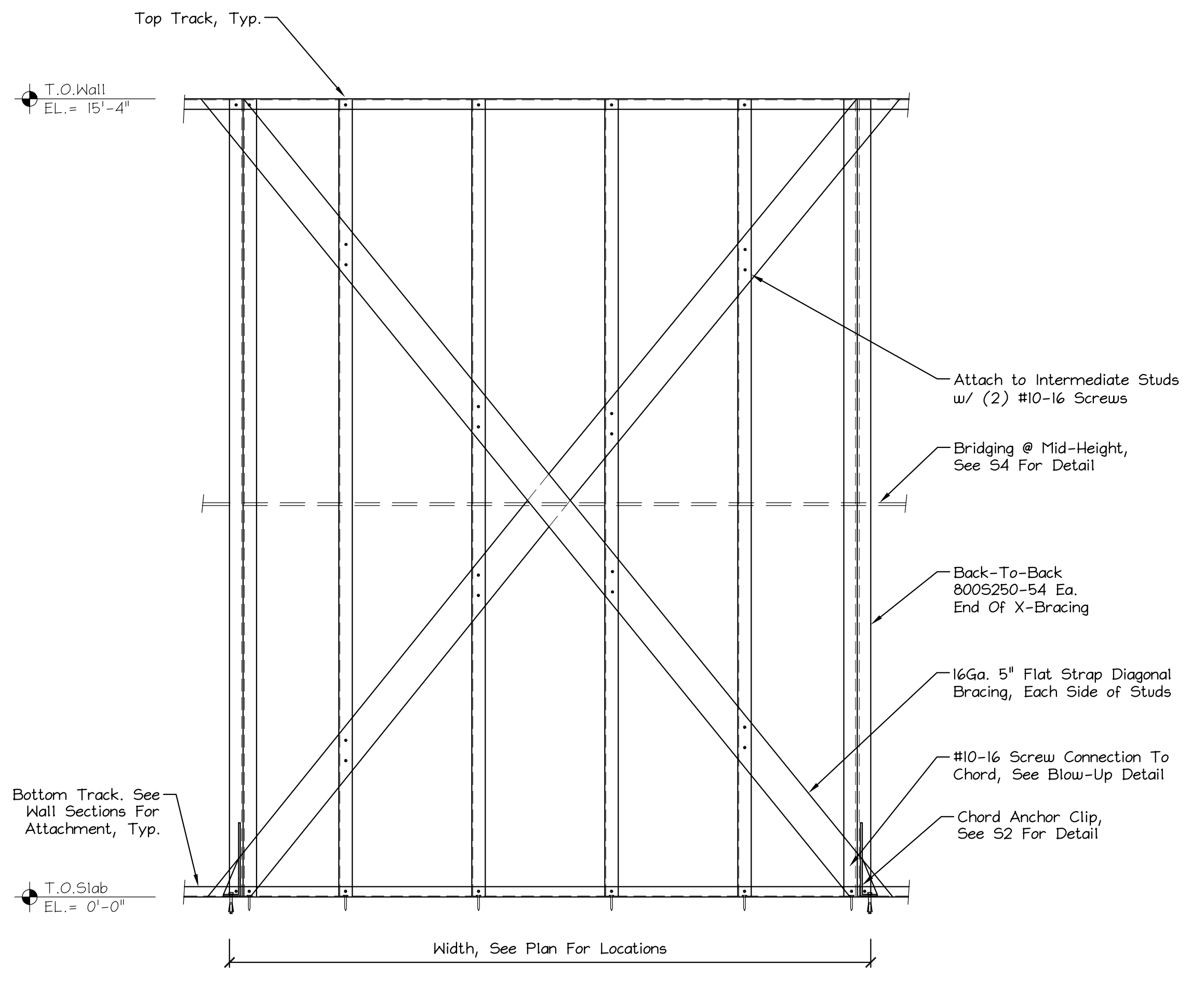
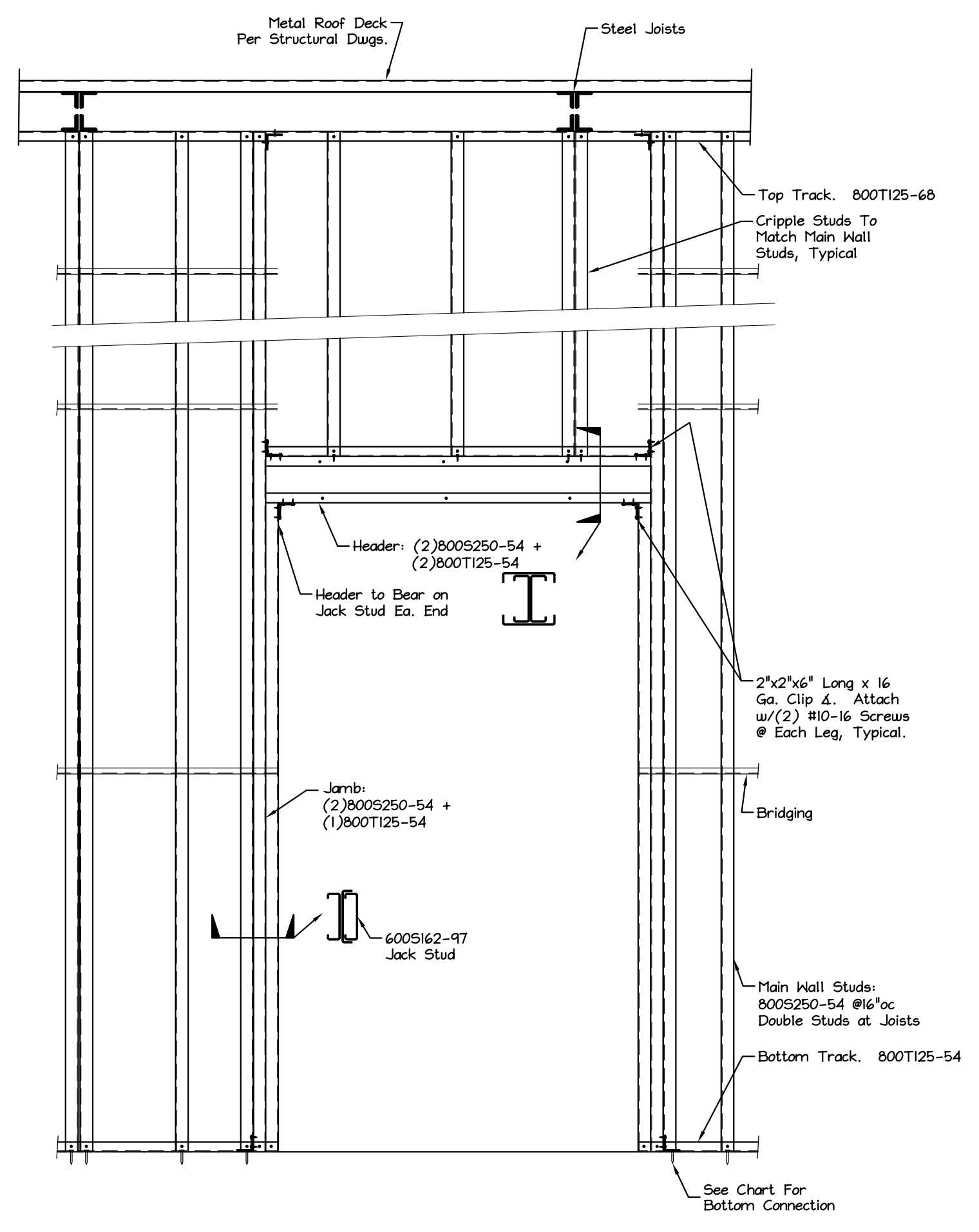


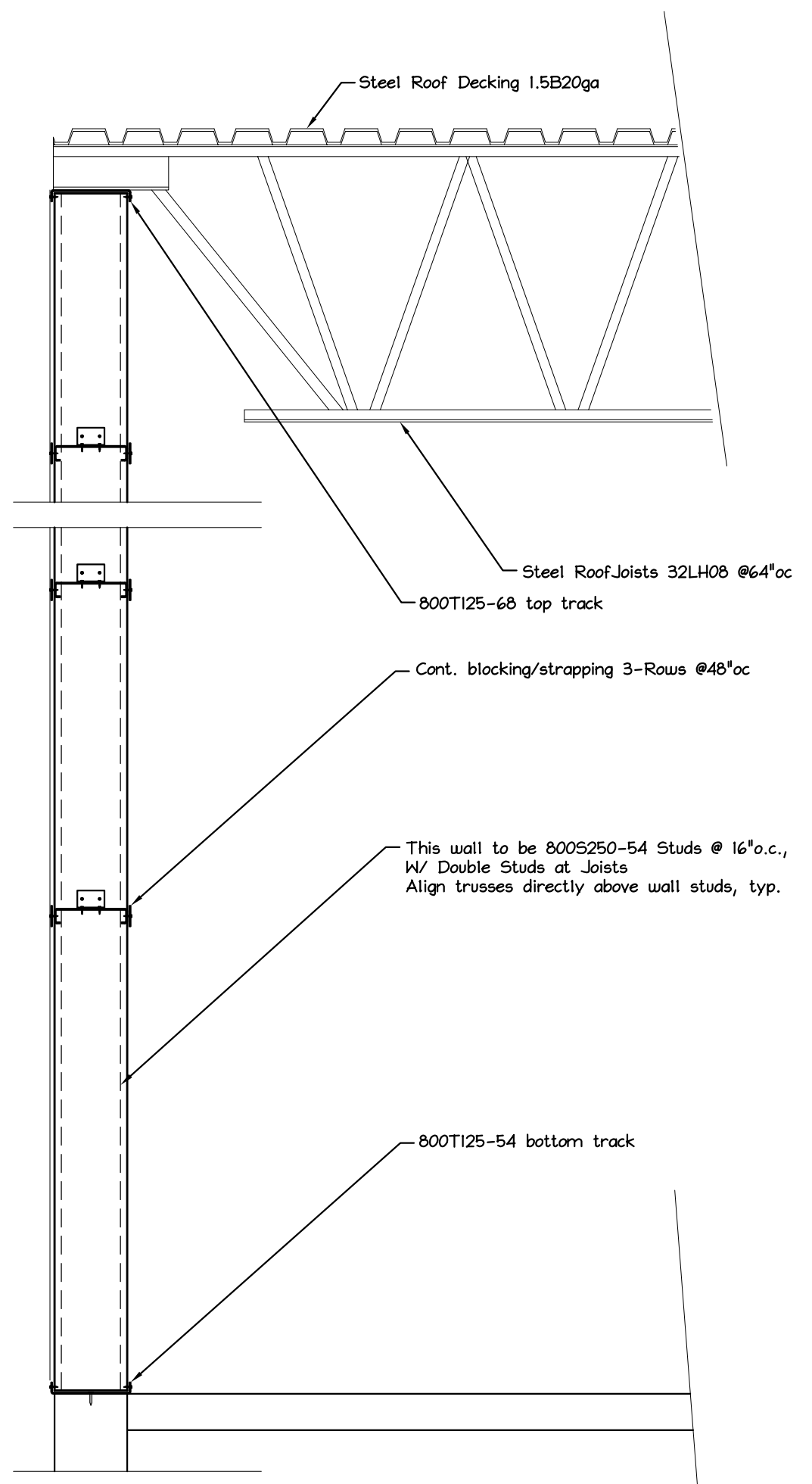
TYPICAL STRAP CONNECTION
N.T.S.



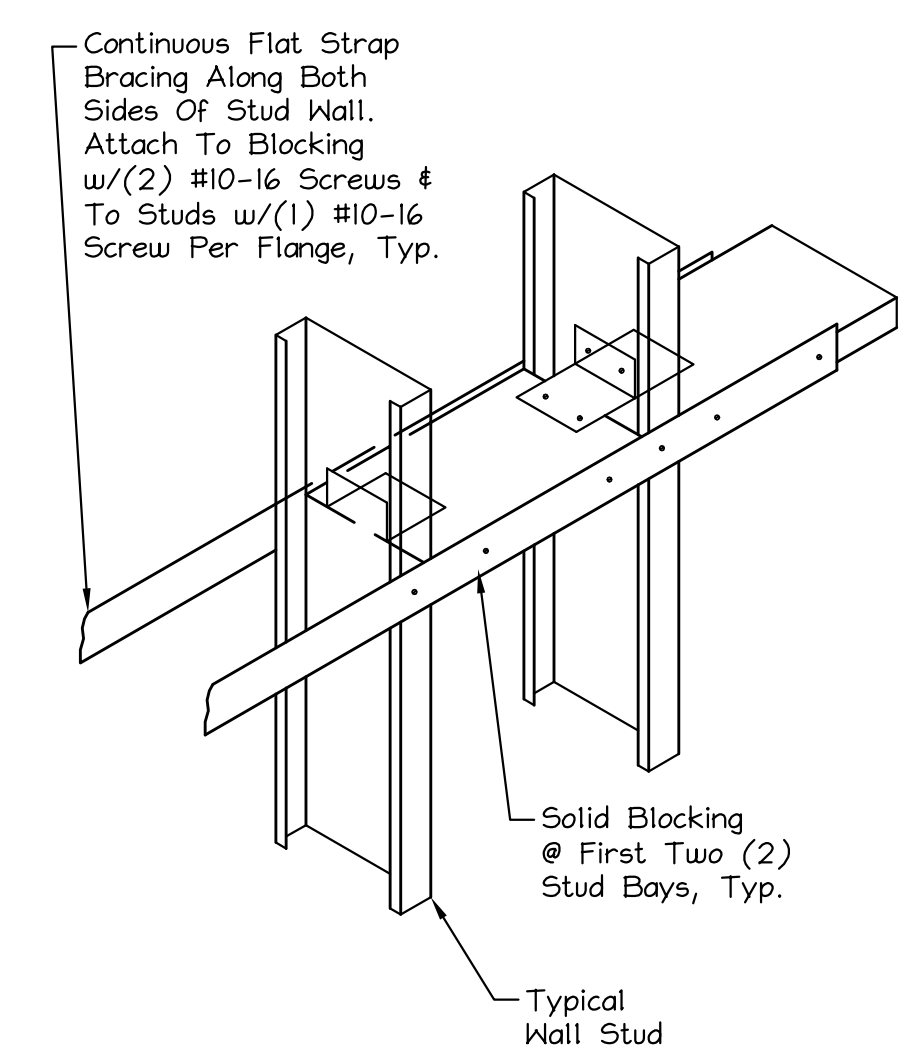
TYPICAL STRAP BRACING ELEVATION
N.T.S.



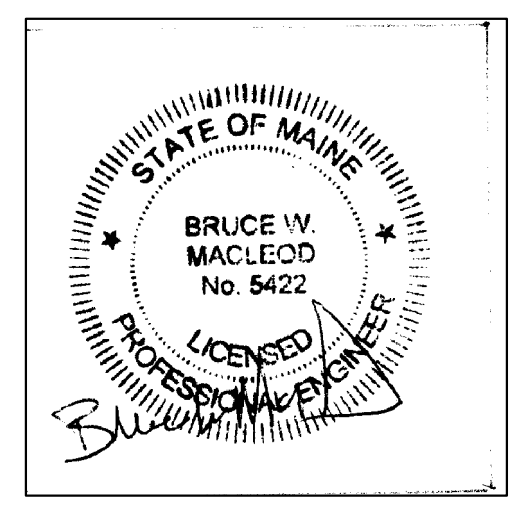
TYPICAL DOOR ELEVATION / LOAD BEARING
N.T.S.



TYPICAL WALL SECTION / LOAD BEARING
N.T.S.



FLAT STRAP BRIDGING DETAIL
Scale: N.T.S.



10.29.14 FOR PERMIT

MacLeod Structural Engineers, PA 404 Main Street Gorham, Maine 04038 207.839.0980		
FORM SYSTEMS 200 RIVERSIDE INDUSTRIAL PARKWAY Portland, Maine		
TITLE: BUILDING SECTIONS AND DETAILS		
DATE: 6.18.14	DRAWN BY: BIM	DRAWING NUMBER: S-4
SCALE: as noted	PROJ. NO: 2014-108	