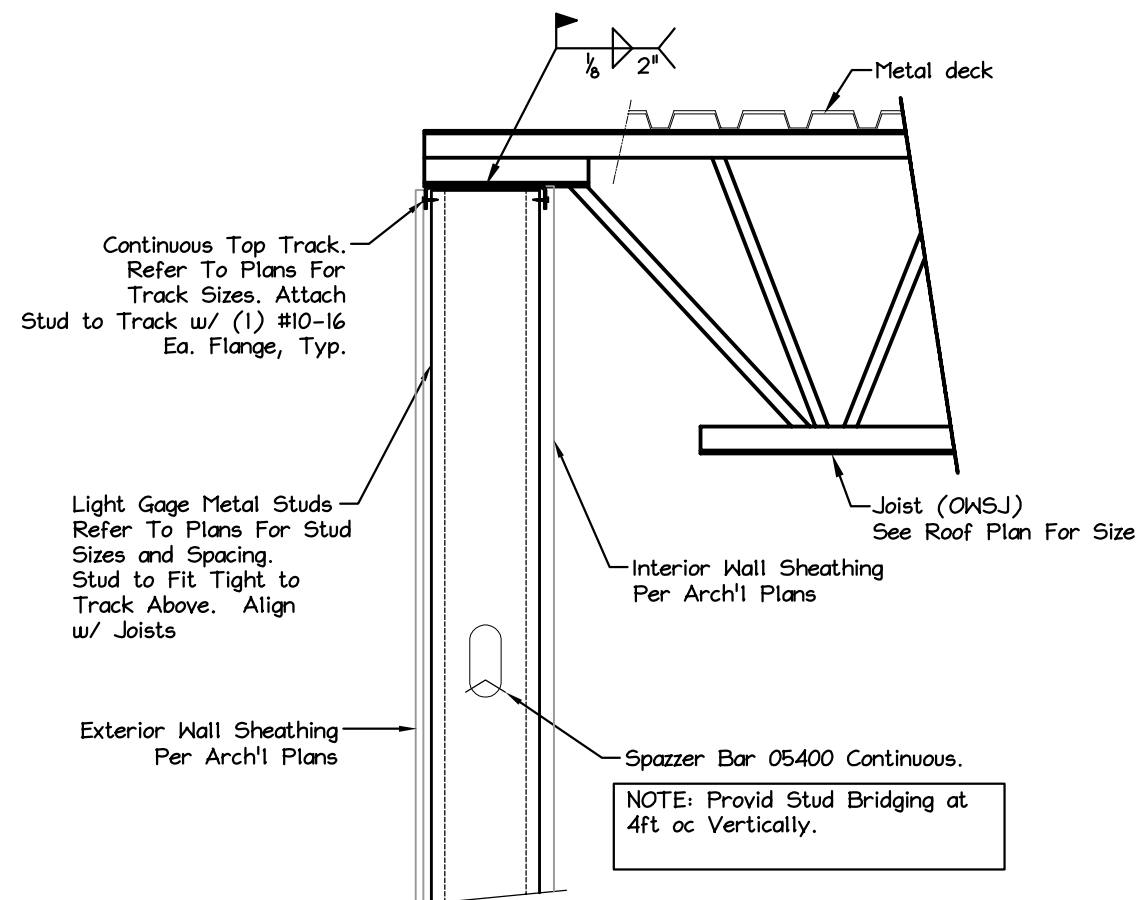
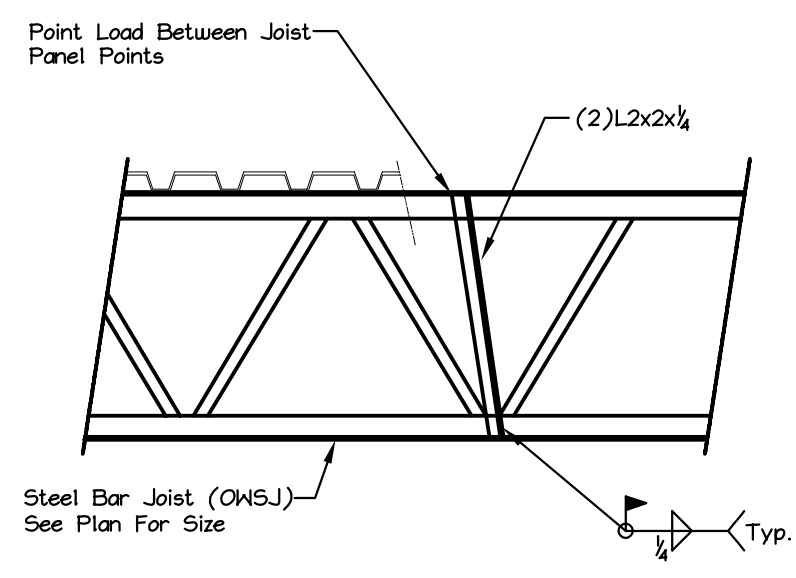


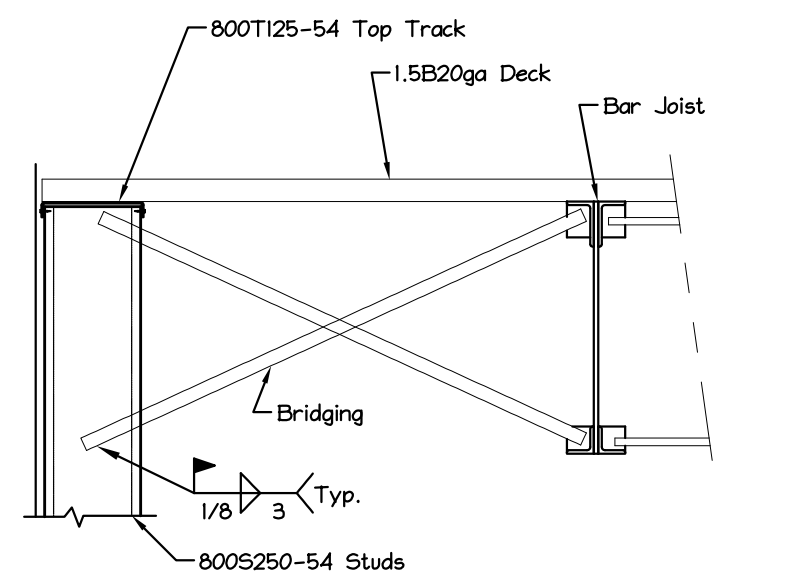
**DETAIL**  
Scale: 1" = 1'-0"  
A - Typ. WF Beam Moment Connection To WF Column



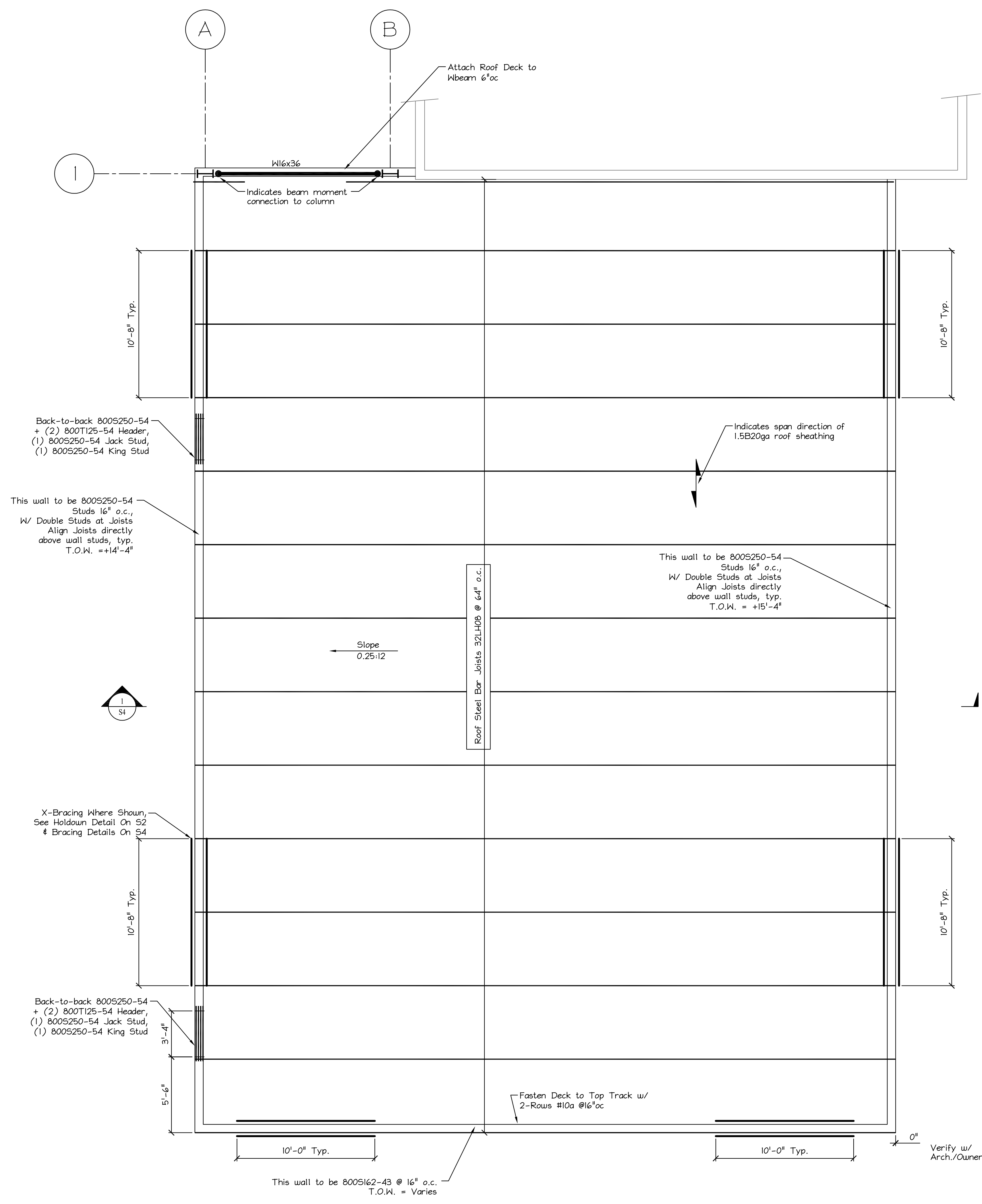
**Typical Section - Joists Brg. @ Perim. LGF Stud Wall**  
Scale: Not To Scale



**DETAIL - Concentrated Load Between Panel Points**  
Scale: Not To Scale

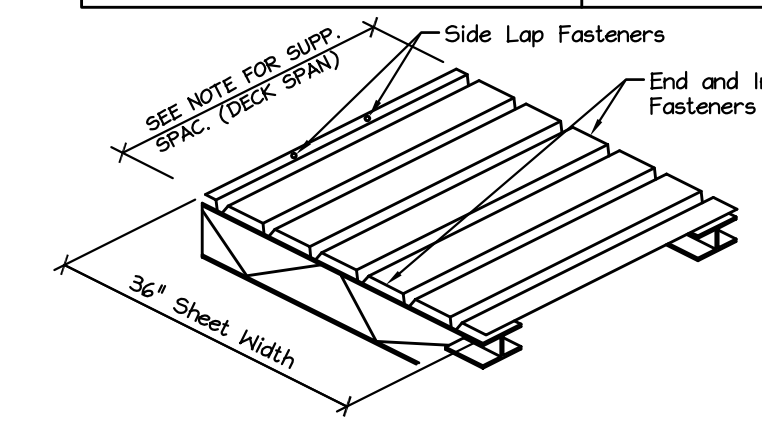


**DETAIL - Joist Bridging At End**  
Scale: Not To Scale

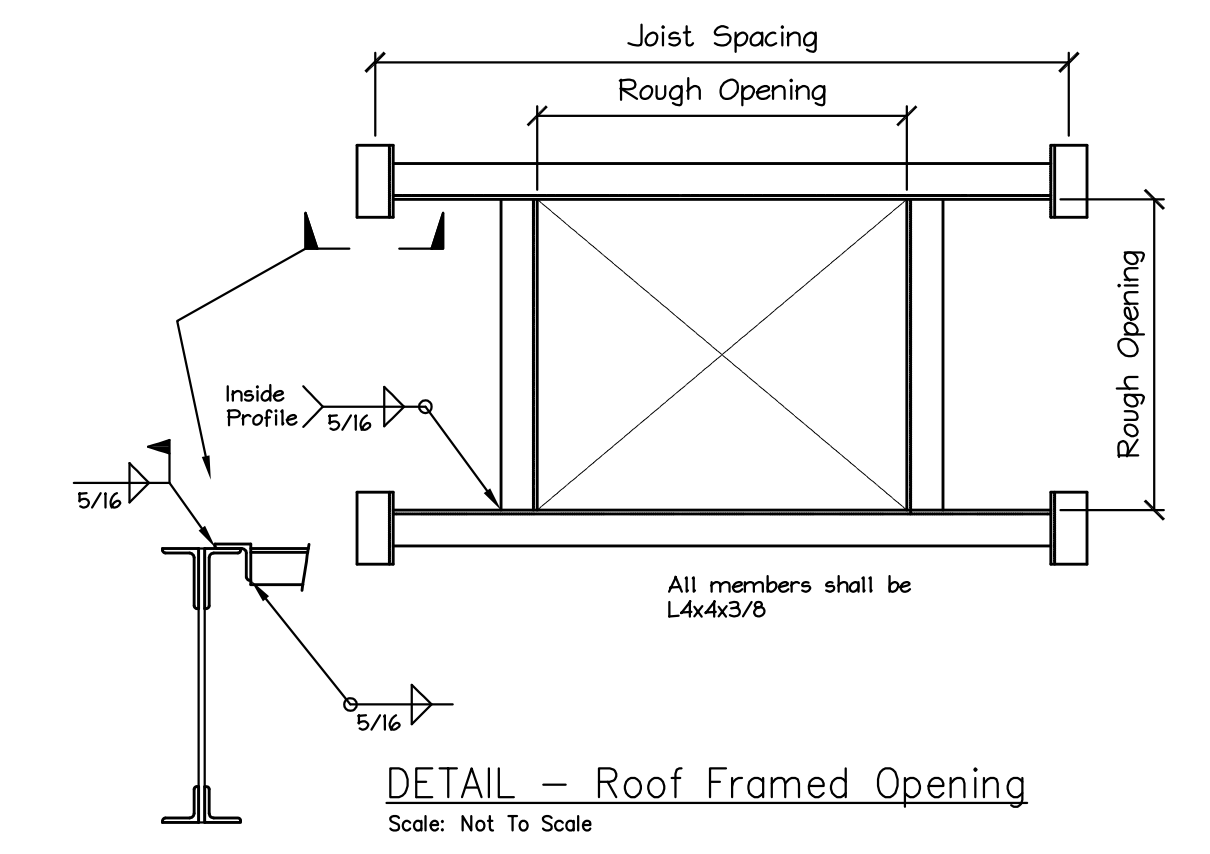


**FOUNDATION PLAN**  
Scale: 1/4" = 1'-0"

ROOF DECK TYPE:	CONNECTIONS AT ROOF DIAPHRAGM:
Scheduled Galvanized Deck By Vulcraft or Approved Equal.	- End And Intermediate Supports: 36/3 Fastener Pattern Using 3/4" Fuddle Welds
All Substitutions Shall Be Approved by The Engineer Of Record.	- Side Laps: (2) #12 Hex Head Screws Equally Spaced At Midpoint Of Each Span

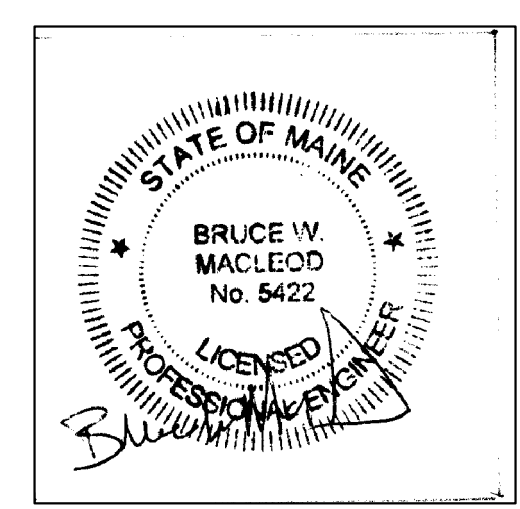


**DETAIL - Typical Metal Deck Attachment**  
Scale: Not To Scale



**DETAIL - Roof Framed Opening**  
Scale: Not To Scale

10.29.14 FOR PERMIT



<b>MacLeod</b> Structural Engineers, PA 404 Main Street Gorham, Maine 04038 207.839.0980		
FORM SYSTEMS 200 RIVERSIDE INDUSTRIAL PARKWAY Portland, Maine		
TITLE: <b>ROOF FRAMING PLAN</b>		
DATE: 6.18.14	DRAWN BY: BIM	DRAWING NUMBER: S-3
SCALE: as noted	PROJ NO: 2014-108	