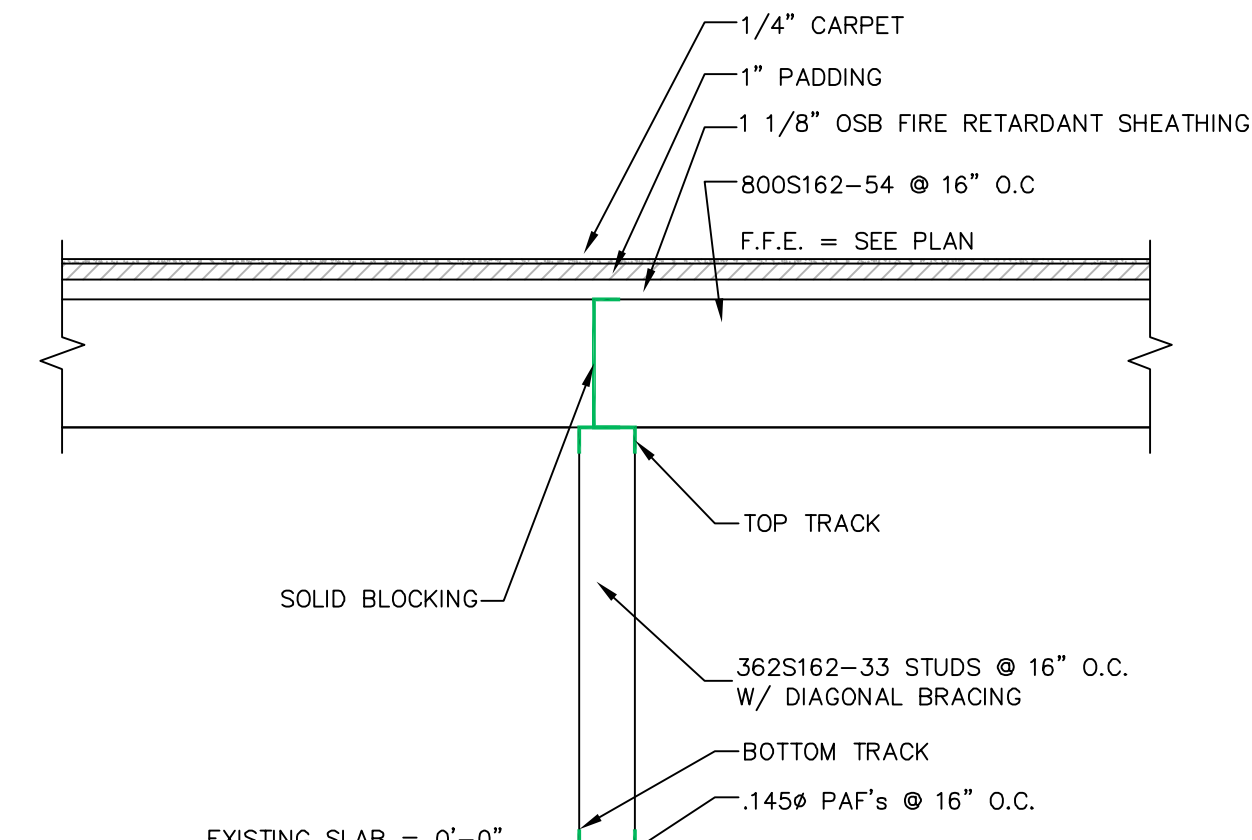
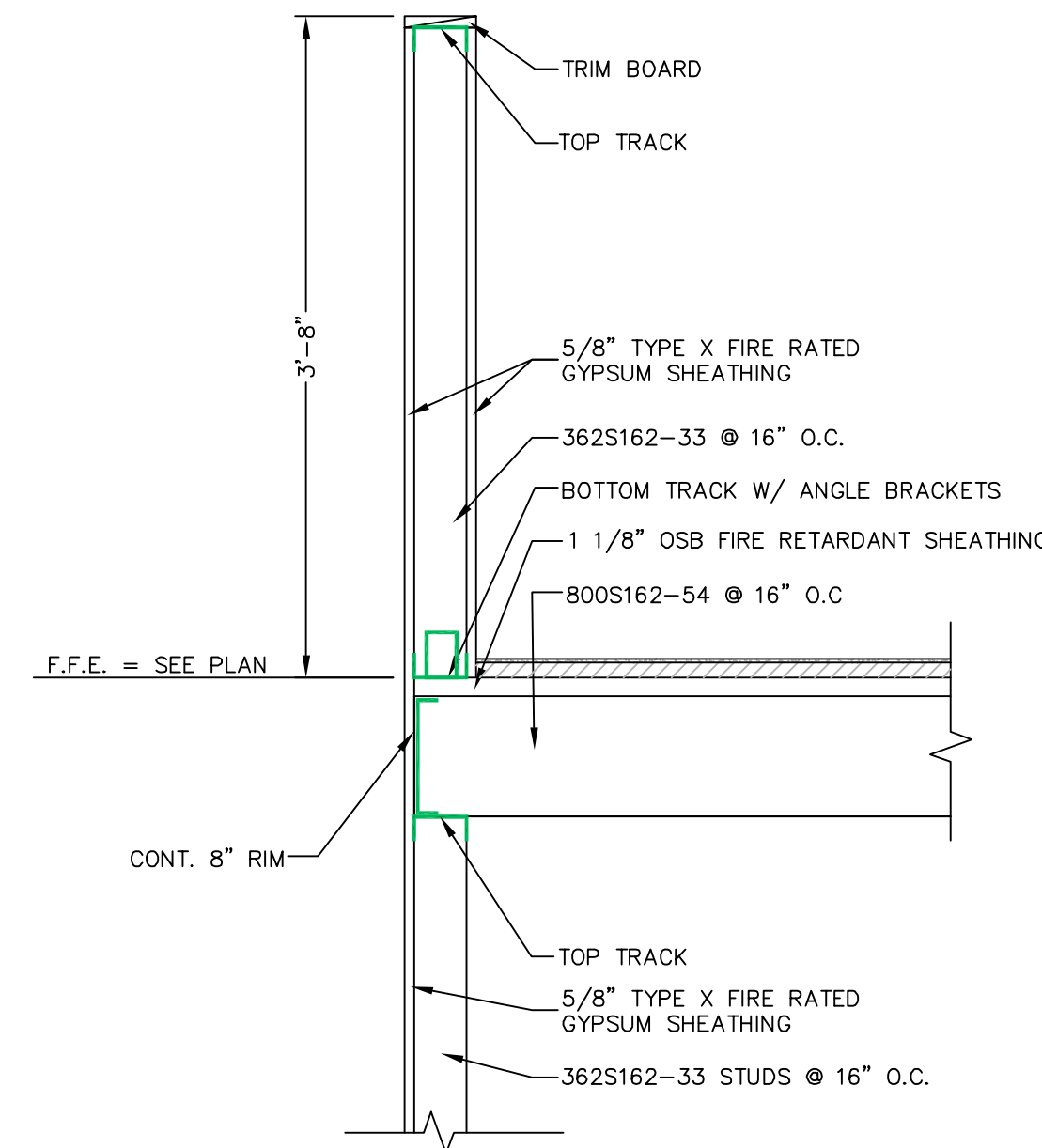


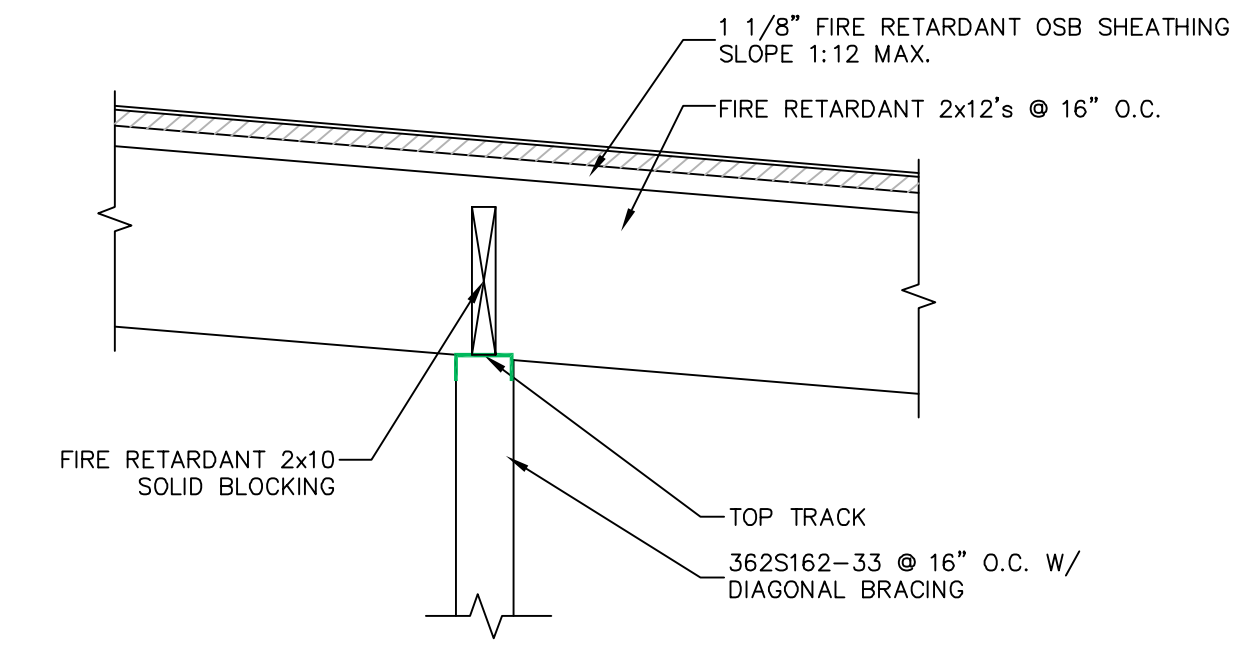
A SECTION
SCALE 1" = 1'-0"



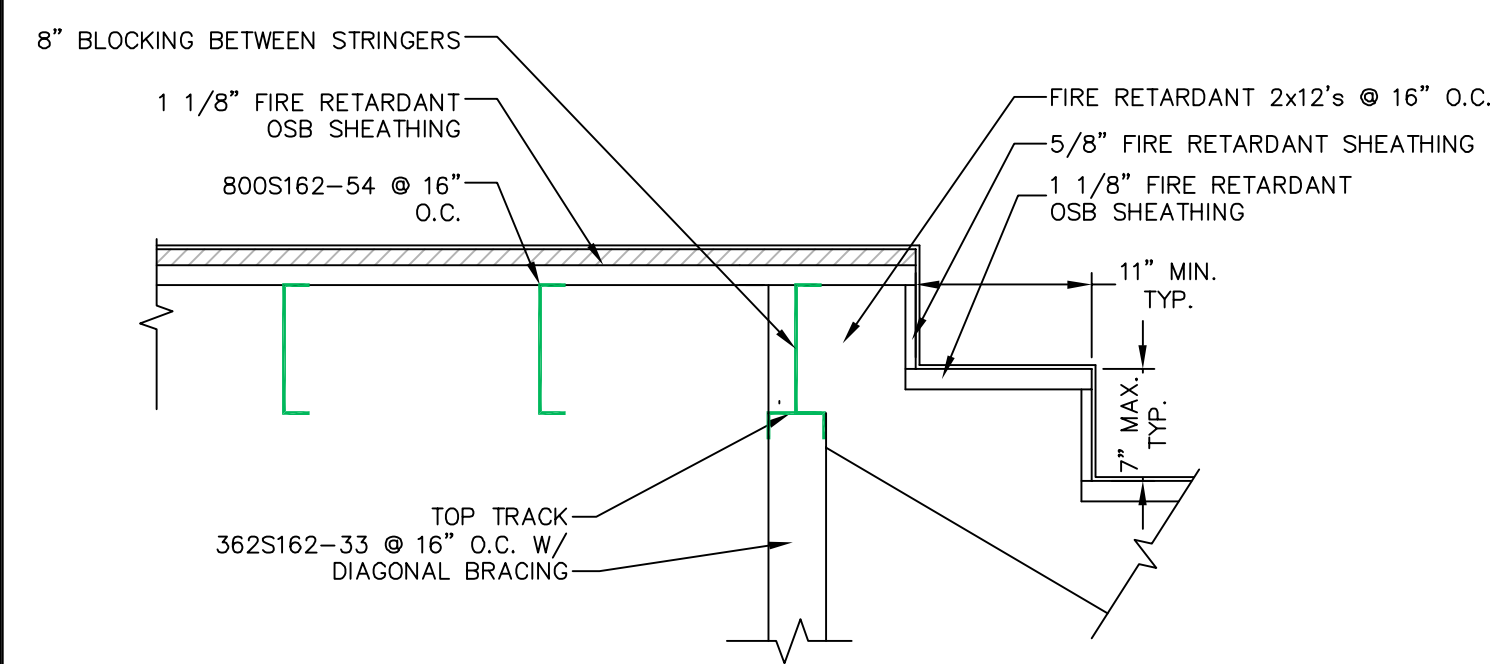
B SECTION
SCALE 3/4" = 1'-0"



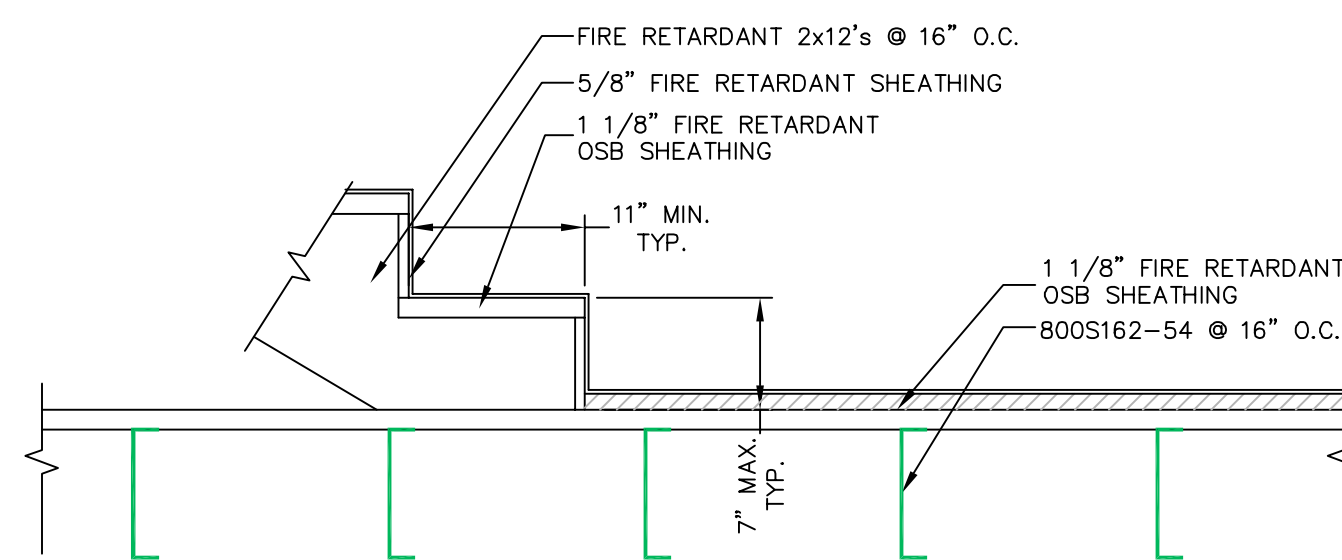
C SECTION
SCALE 3/4" = 1'-0"



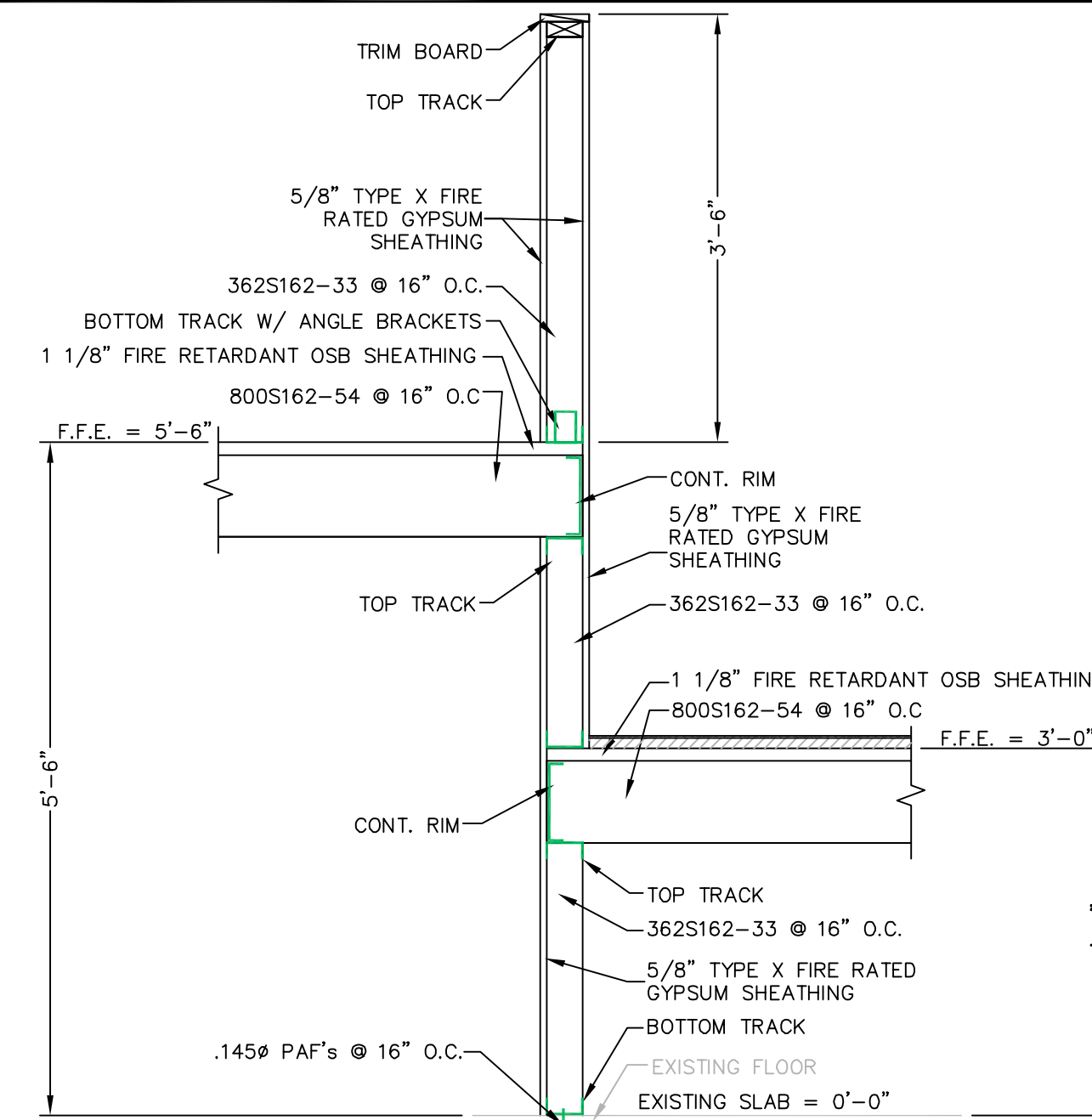
D SECTION
SCALE 1" = 1'-0"



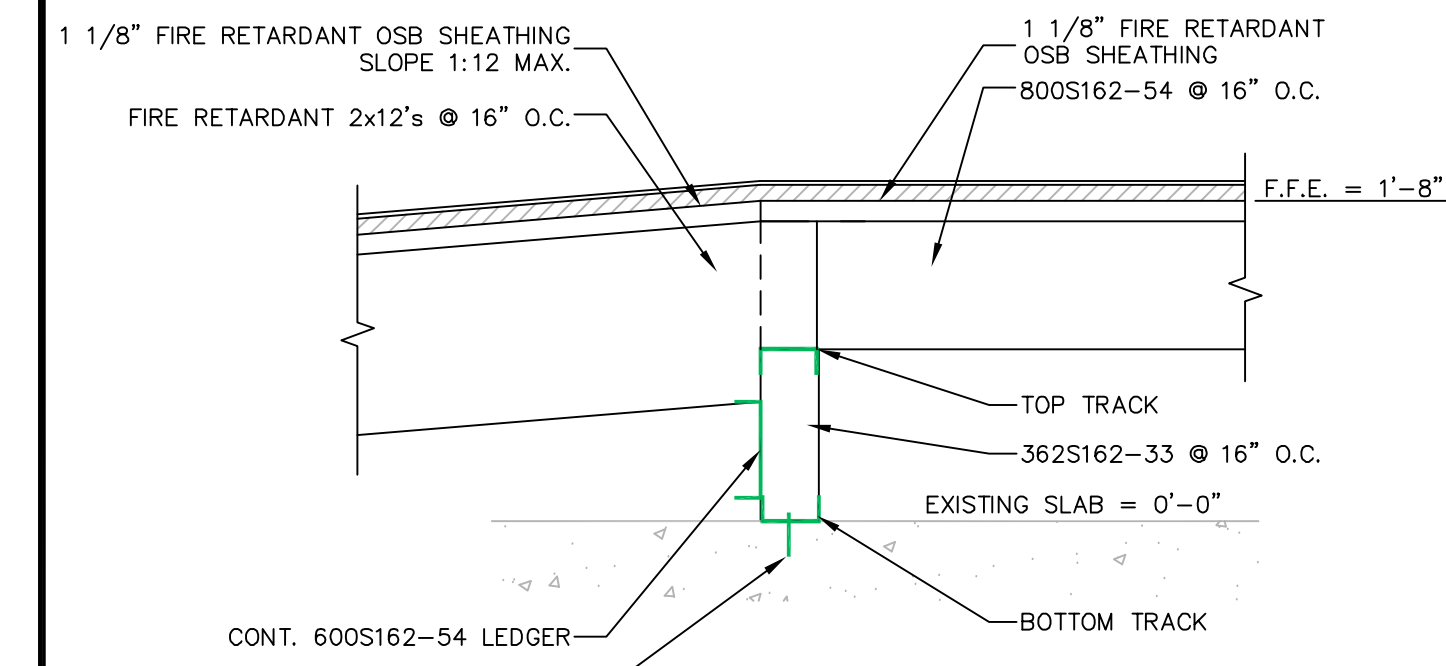
E SECTION
SCALE 1" = 1'-0"



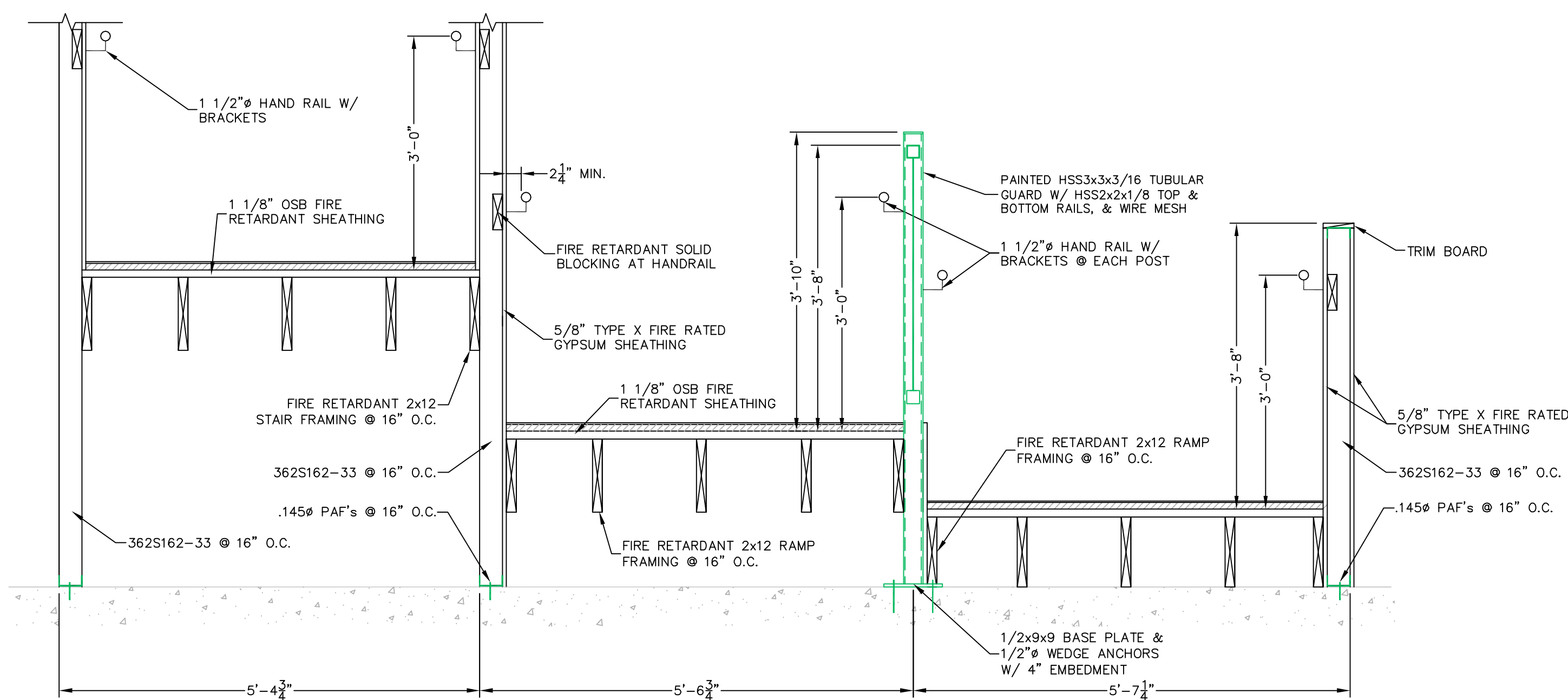
F SECTION
SCALE 1" = 1'-0"



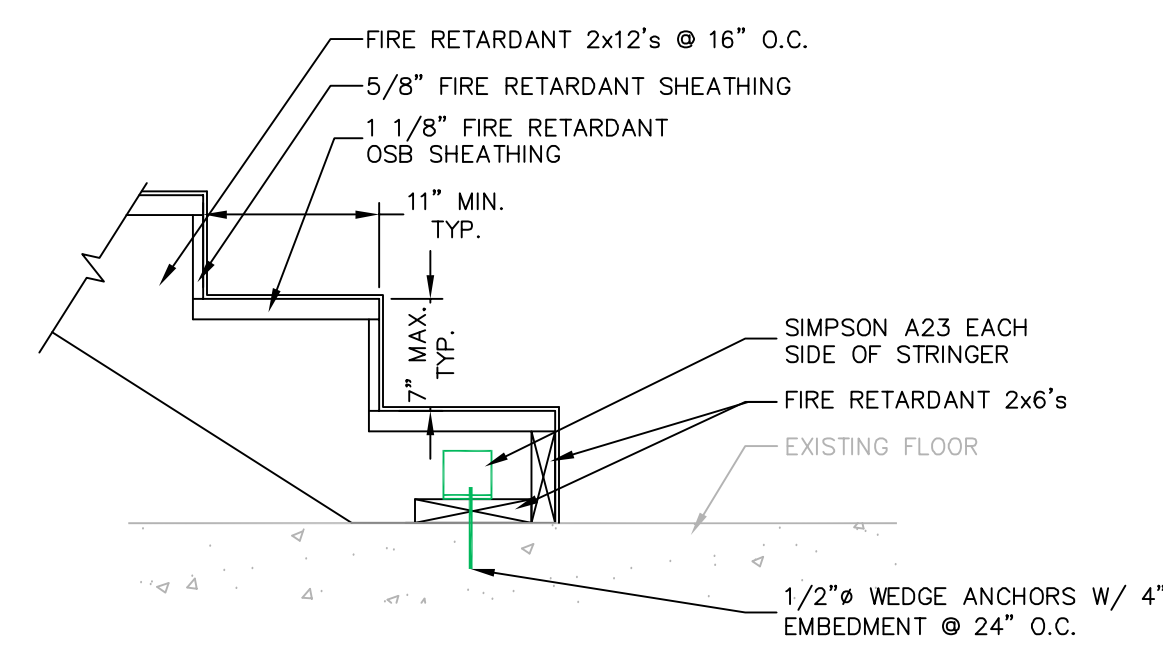
G SECTION
SCALE 3/4" = 1'-0"



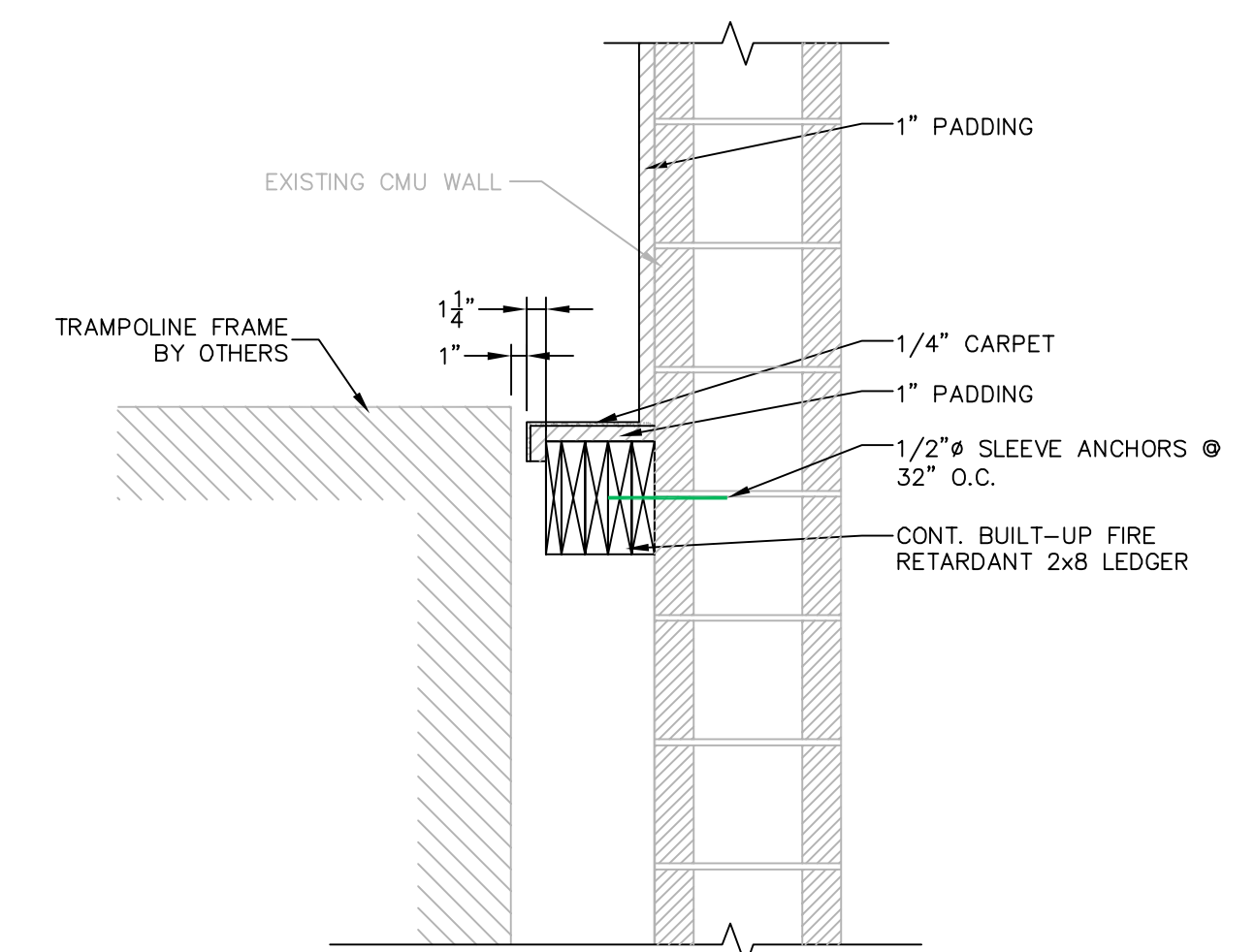
H SECTION
SCALE 1" = 1'-0"



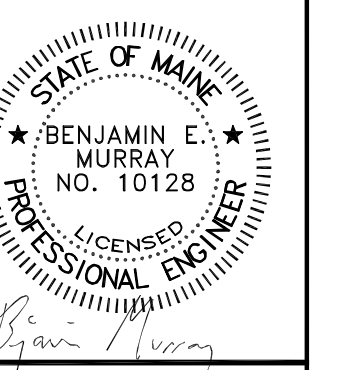
I SECTION
SCALE 3/4" = 1'-0"



J SECTION
SCALE 1" = 1'-0"



K SECTION
SCALE 1" = 1'-0"



E.S. COFFIN
ENGINEERING & SURVEYING
432 Comp Road P.O. Box 4687 Augusta, Maine 04330
Ph. (207) 623-9475 Fax (207) 623-0616 Toll Free 1-800-244-9475

NO.	REVISIONS	DATE

DETAILS

CLIENT & PROJECT: **GET AIR PORTLAND FITUP PLAN**
LOCATION: **921 RIVERSIDE STREET**
TOWN: **PORTLAND** COUNTY: **CUMBERLAND** STATE: **MAINE**
SCALE: **AS SHOWN**
DATE: **JUNE 25, 2014**
DRAWN BY: **JPK**
CHECKED BY: **BEM**

PROJ. NO. **2014-112**