

HARRIMAN

AUBURN PORTLAND MANCHESTER

IMMUCELL CORPORATION ADDITION

PORTLAND, MAINE

Harriman Project No. 14326

Key Plan Proj North



NOT USED NO SCALE REF: NA C4

NOT USED NO SCALE REF: NA C3

NOT USED NO SCALE REF: NA C2

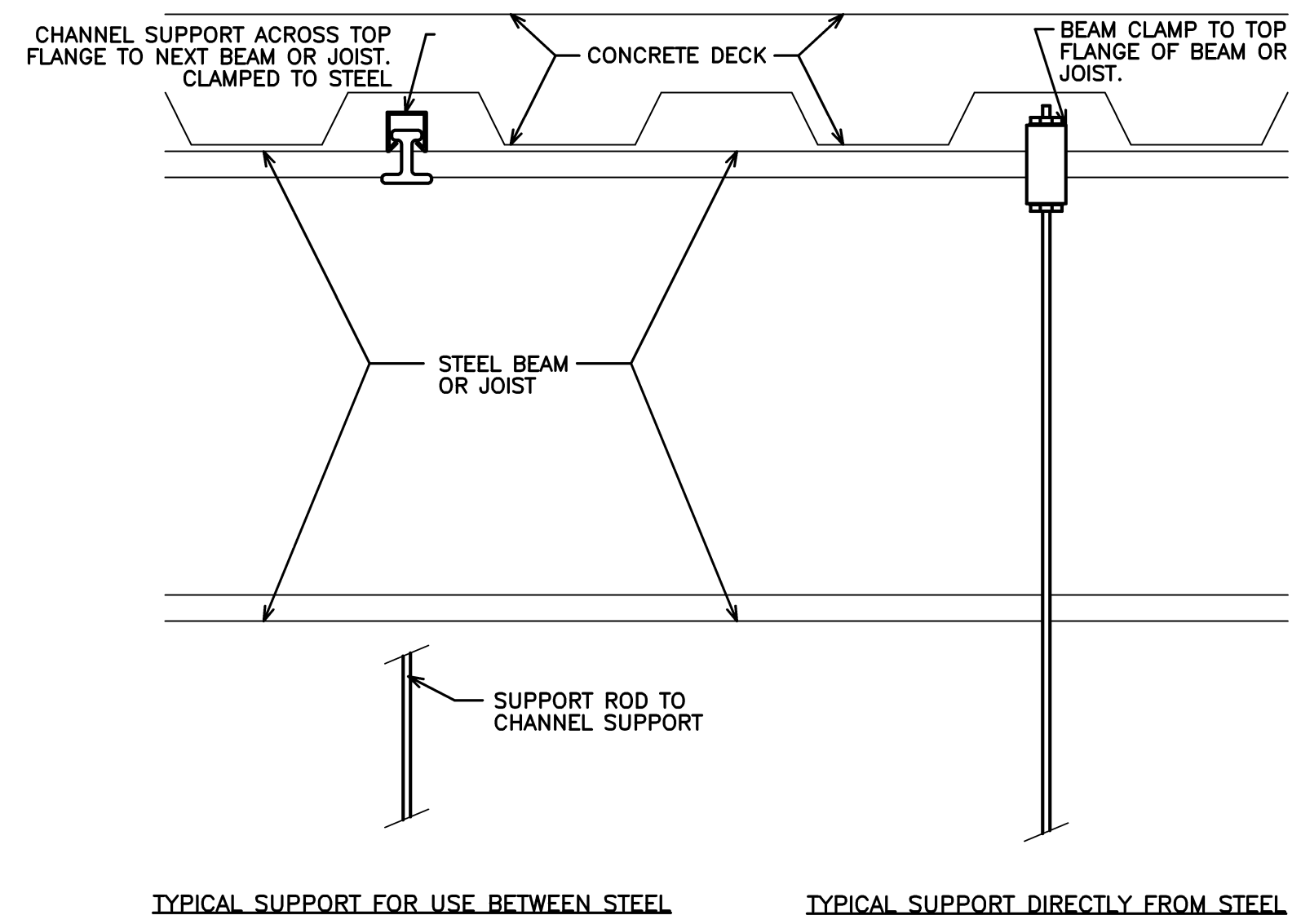
NOT USED NO SCALE REF: NA C1

NOT USED NO SCALE REF: NA B4

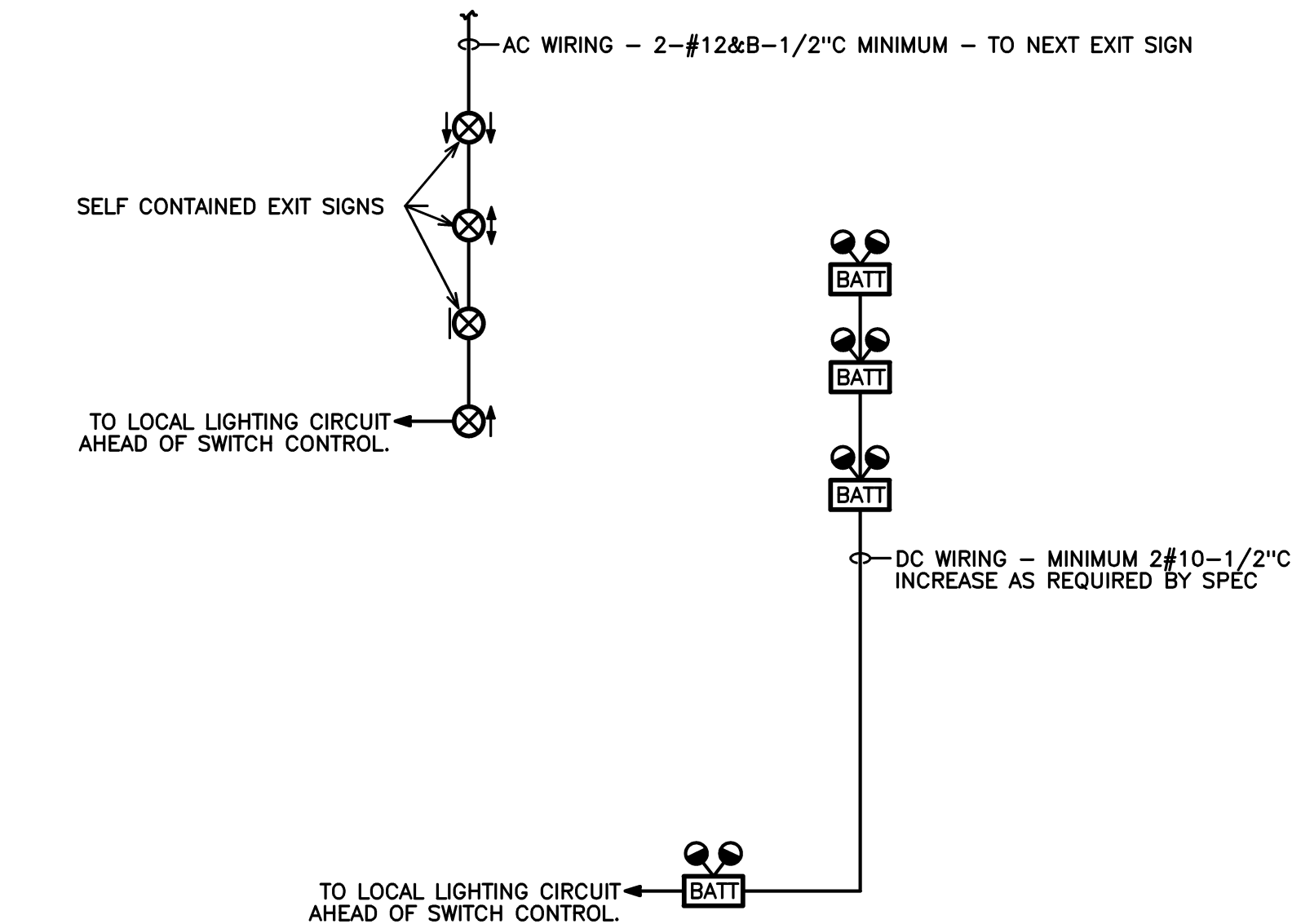
NOT USED NO SCALE REF: NA B3

DOCKLEVELER CONNECTION DETAIL NO SCALE REF: NA B2

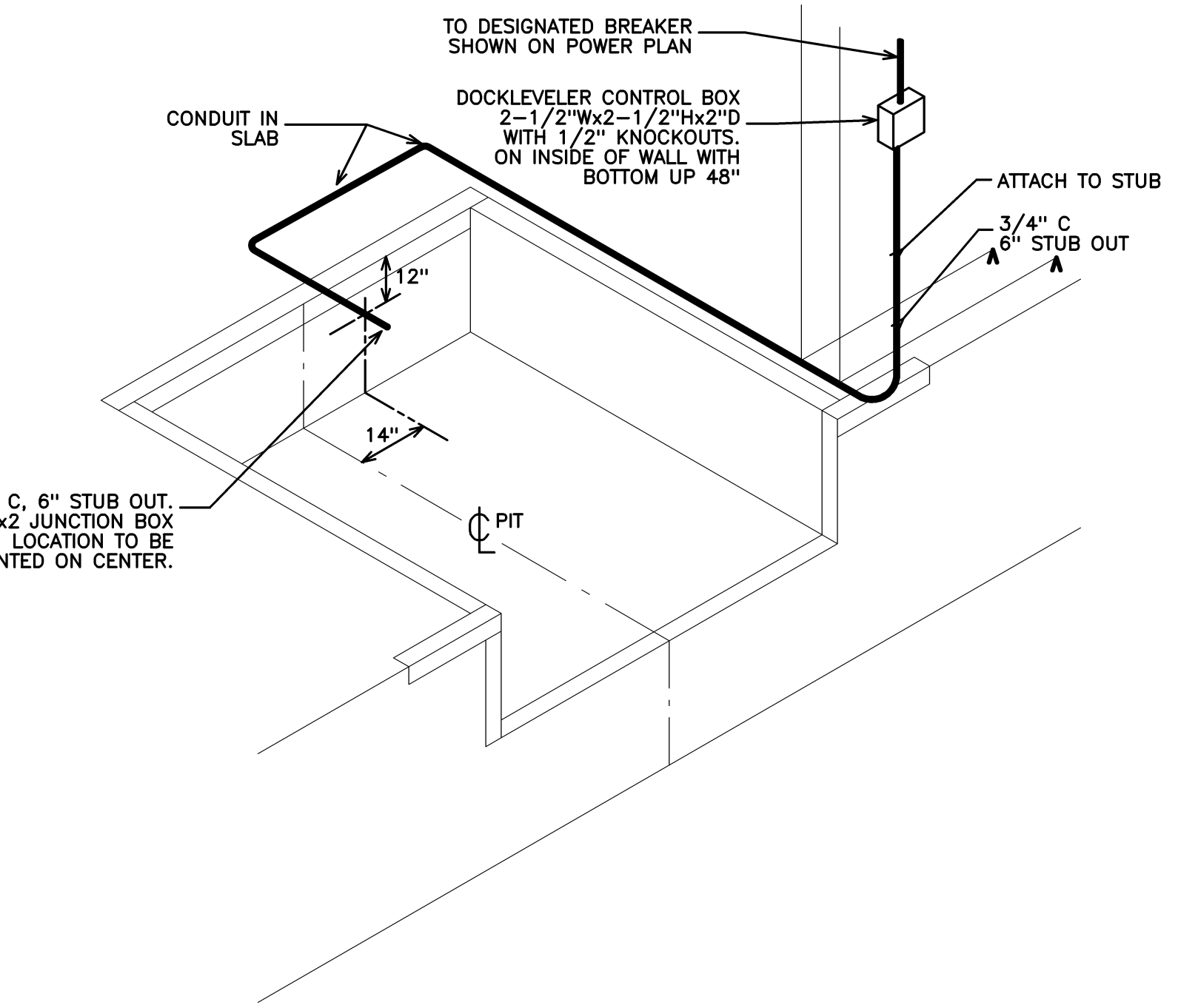
TYPICAL DOOR WITH MAGNETIC SWITCH NO SCALE REF: NA B1



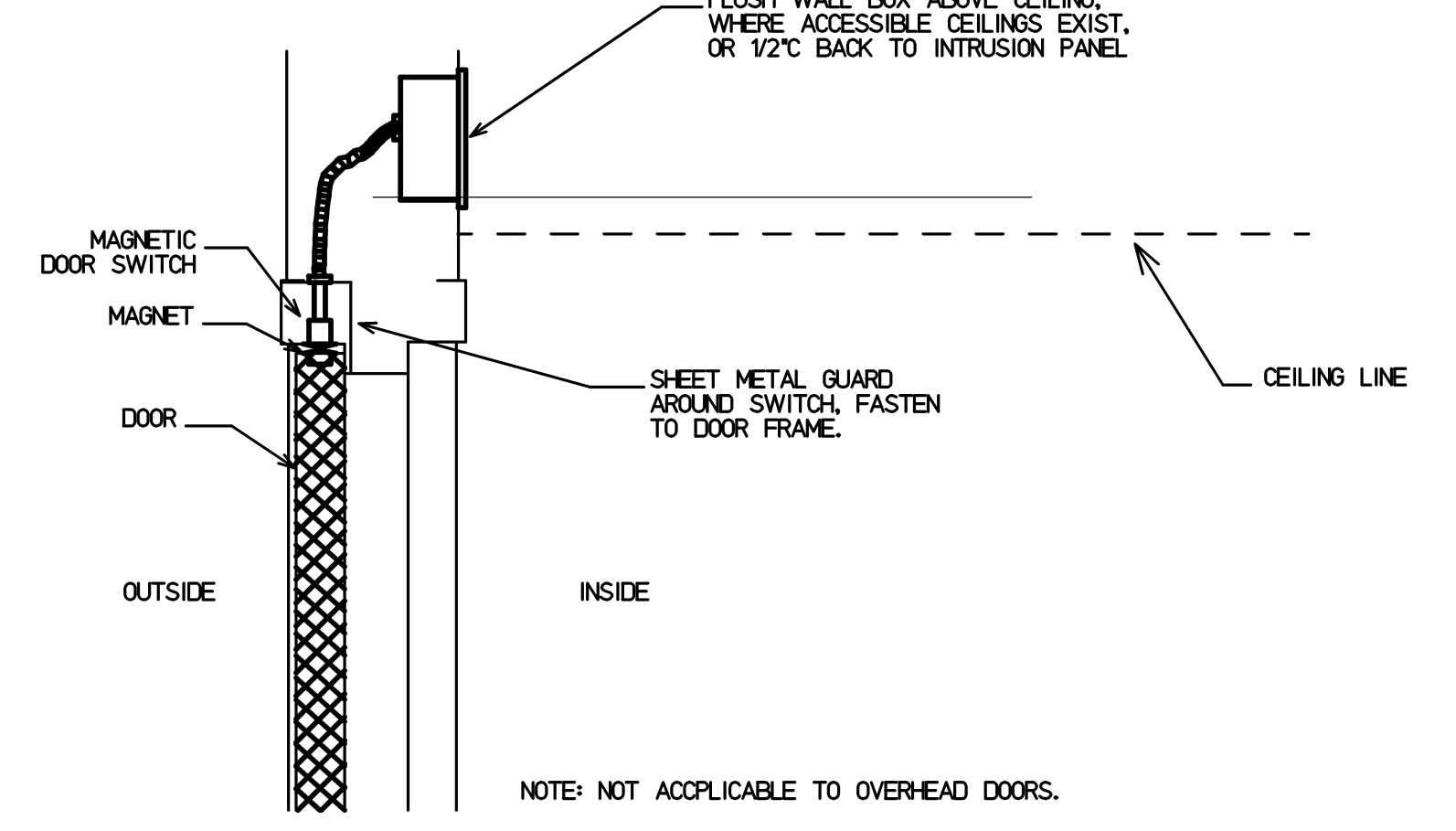
TYPICAL SUPPORT METHODS FROM STEEL NO SCALE REF: NA B3



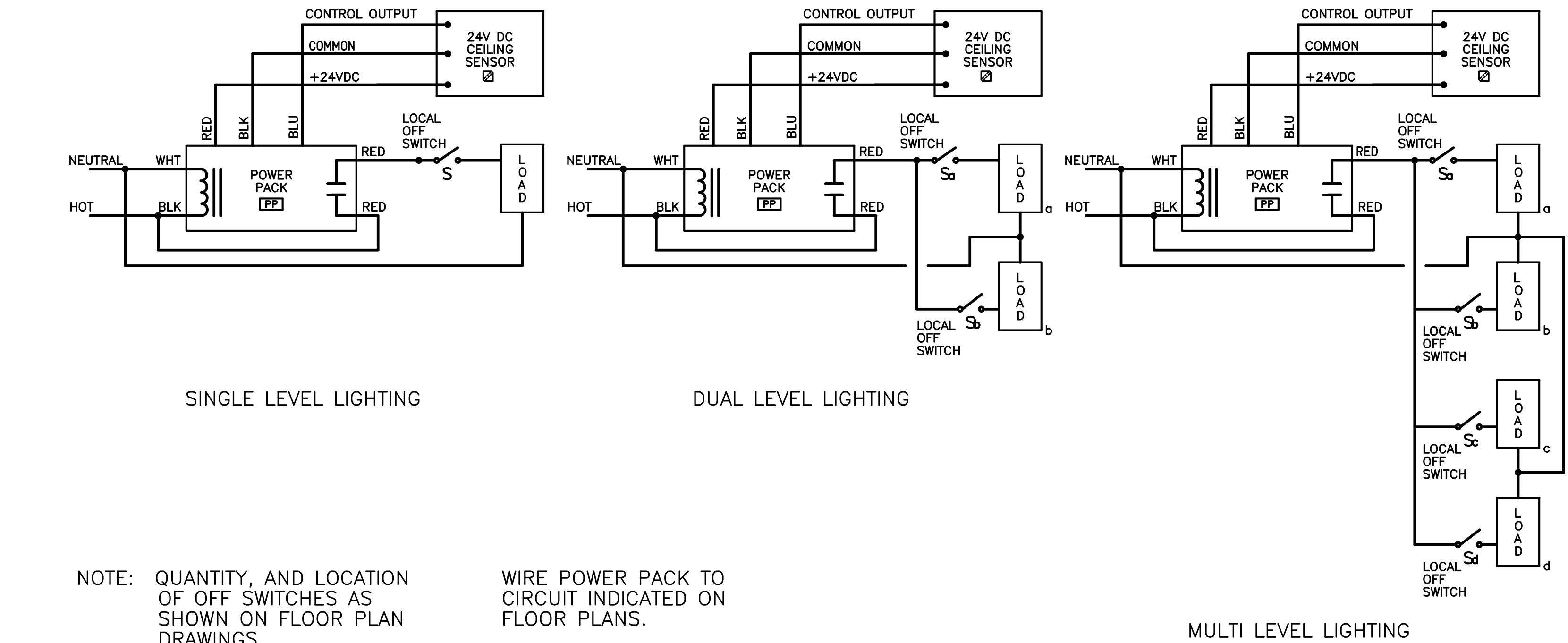
EMERGENCY LIGHTING/EXIT SIGN WIRING NO SCALE REF: NA A2



DOCKLEVELER CONNECTION DETAIL NO SCALE REF: NA B2

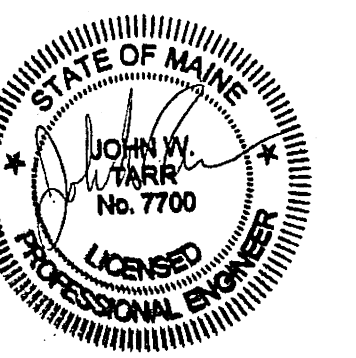


TYPICAL DOOR WITH MAGNETIC SWITCH NO SCALE REF: NA B1



OCCUPANCY SENSOR CONTROL DIAGRAM NO SCALE REF: NA A1

Table with 3 columns: Mark, Date, Description. Row 1: 07-25-14 ISSUED FOR CONSTRUCTION



PA / PE: JWT © 2014 Harriman Associates
Drawn By: BSO

ELECTRICAL DETAILS

E70.1