



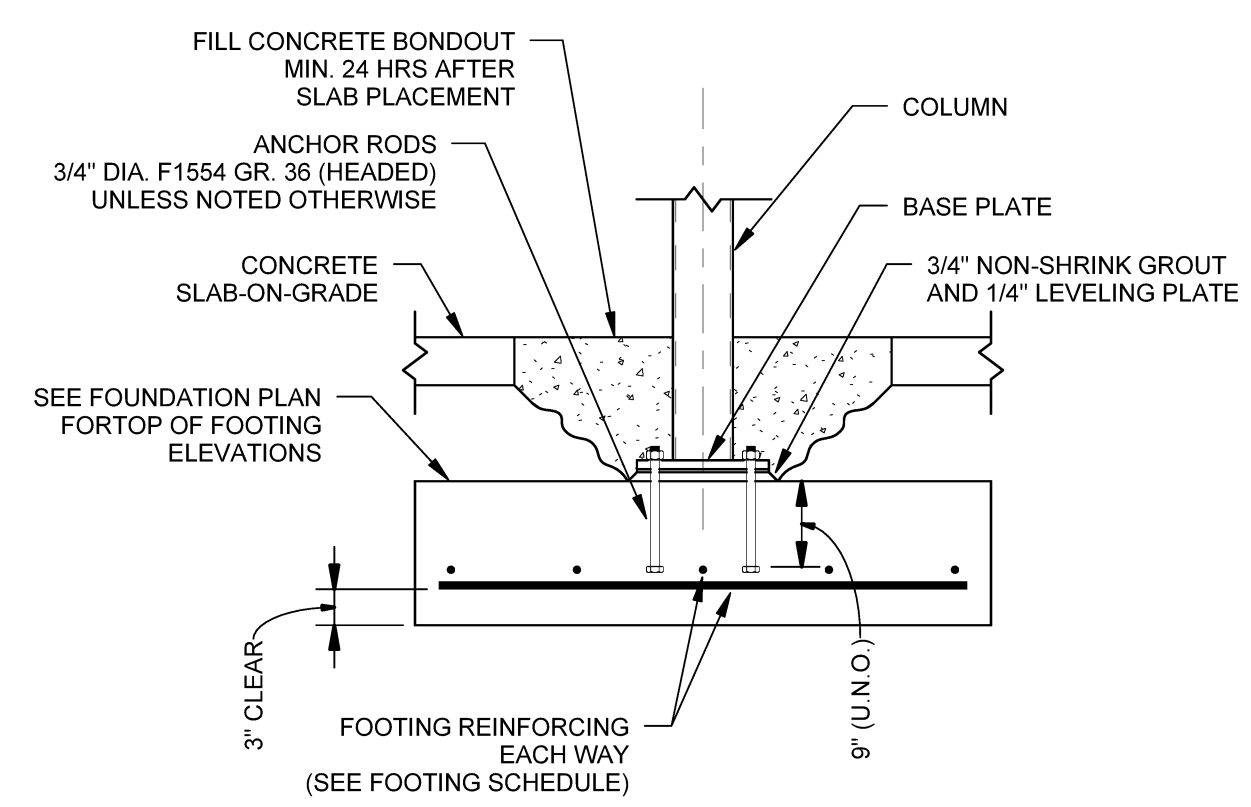
HARRIMAN

AUBURN PORTLAND MANCHESTER

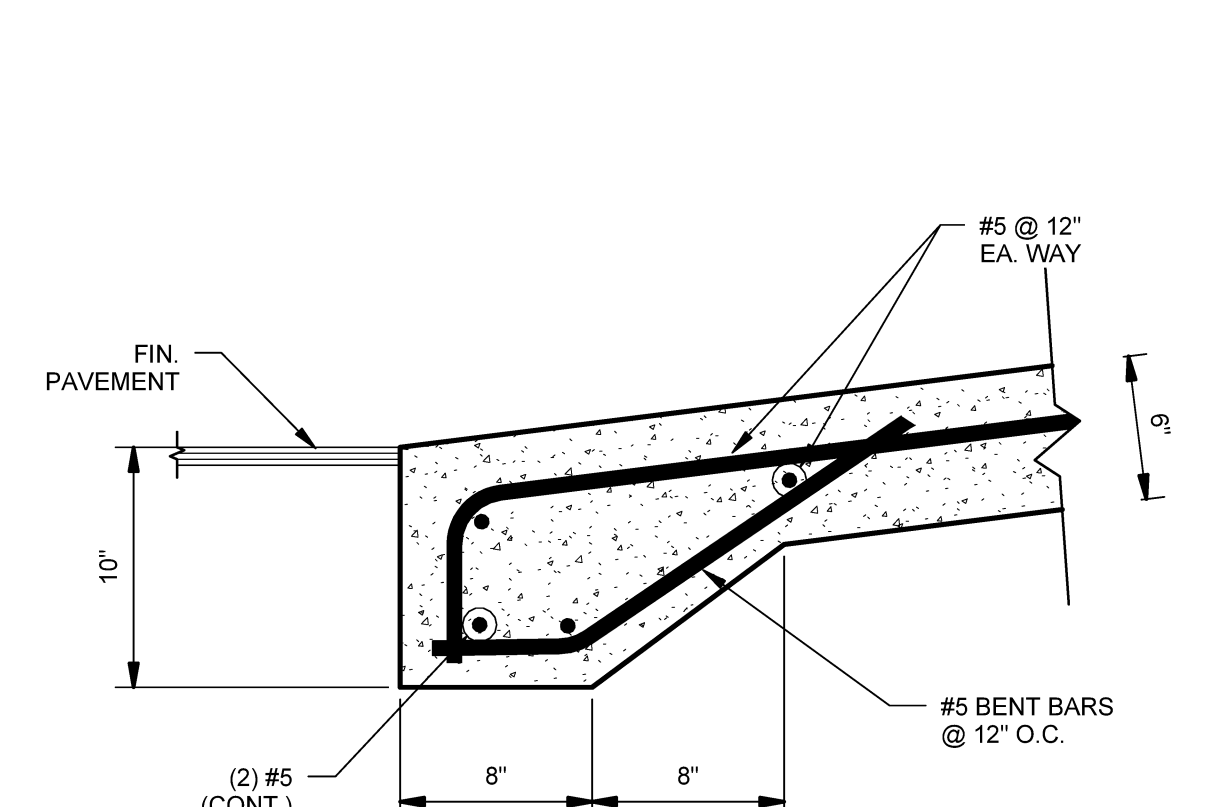
IMMUCELL CORPORATION ADDITION

PORTLAND, MAINE

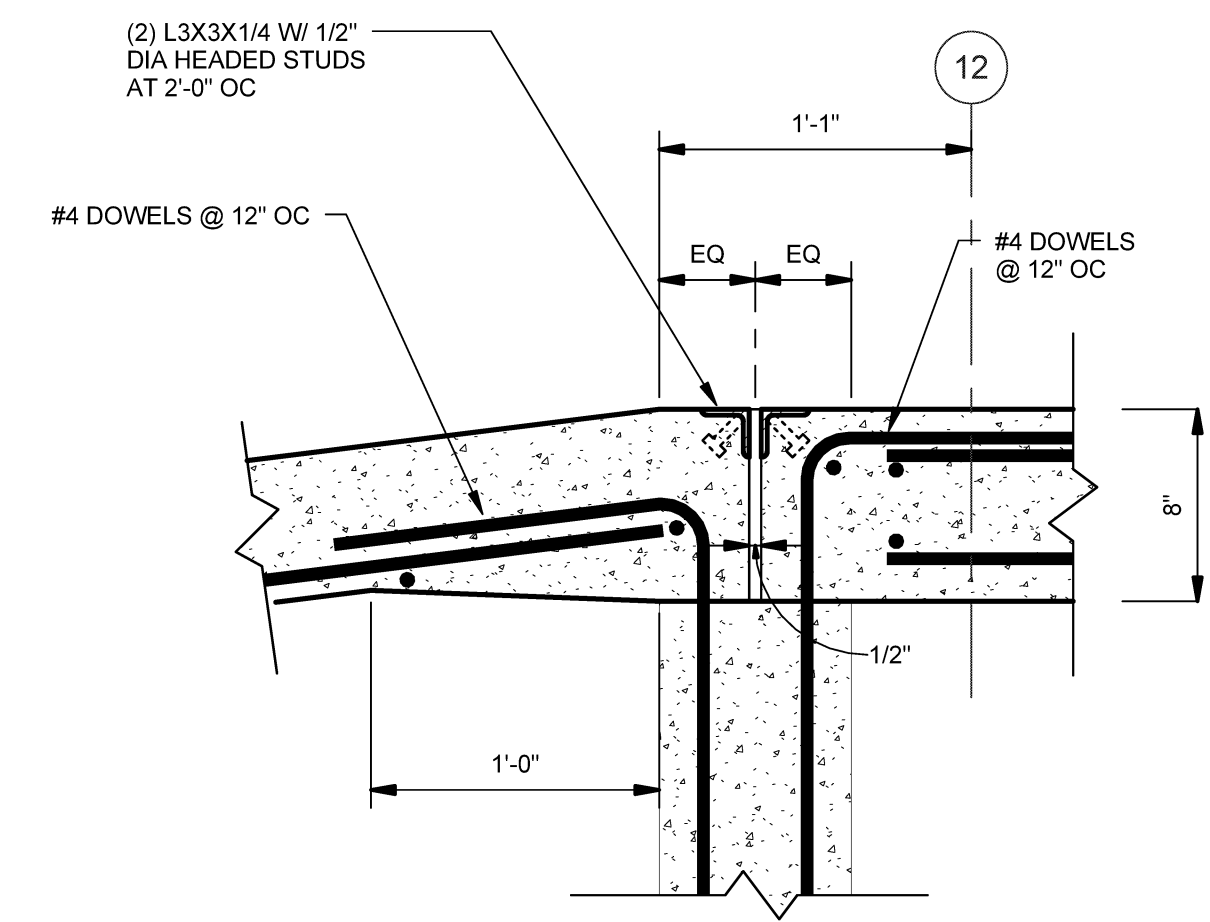
Harriman Project No. 14326
Key Plan Proj Noth



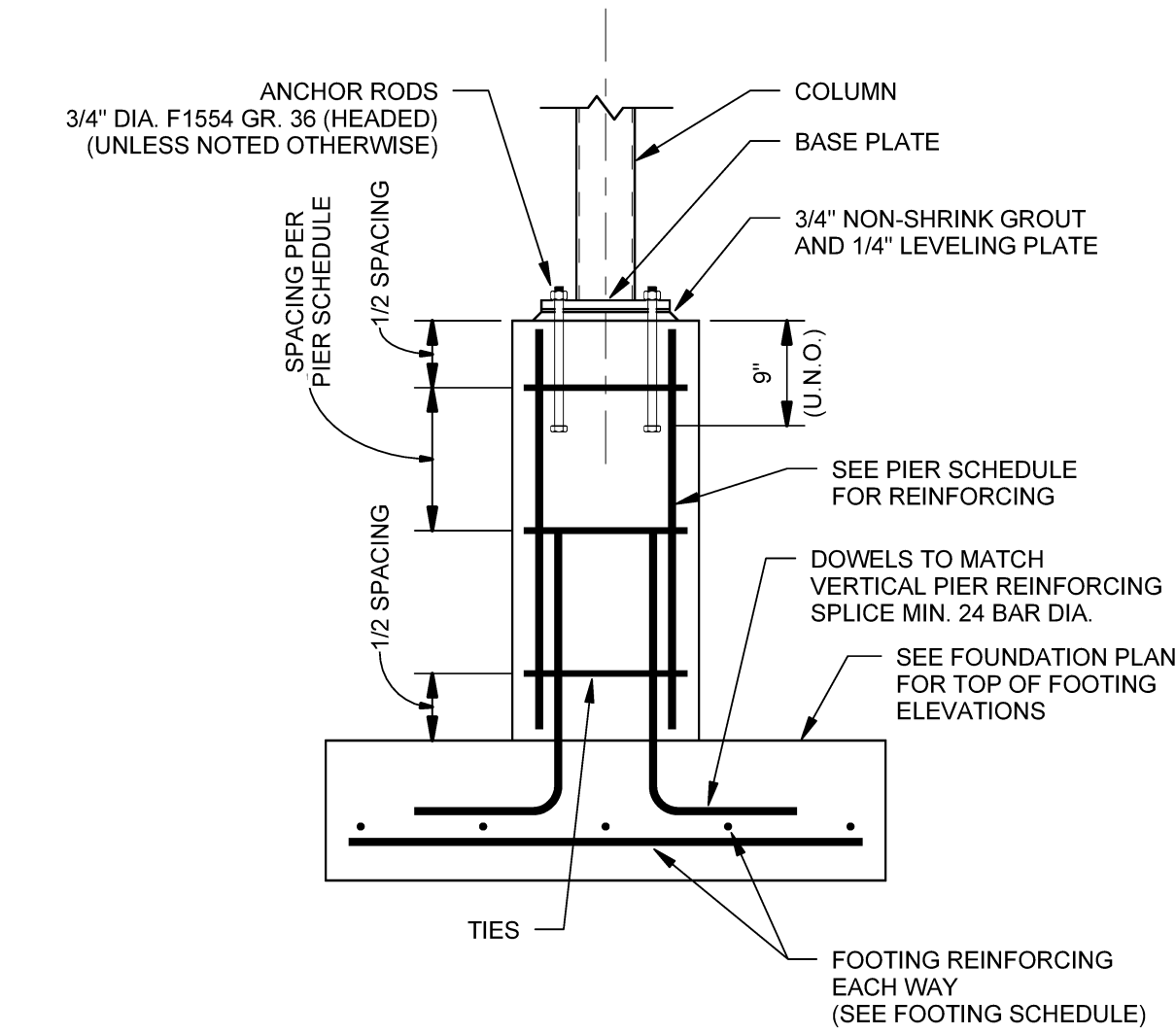
D1 TYP. INTERIOR COLUMN FOOTING DETAIL
SCALE: 3/4" = 1'-0"



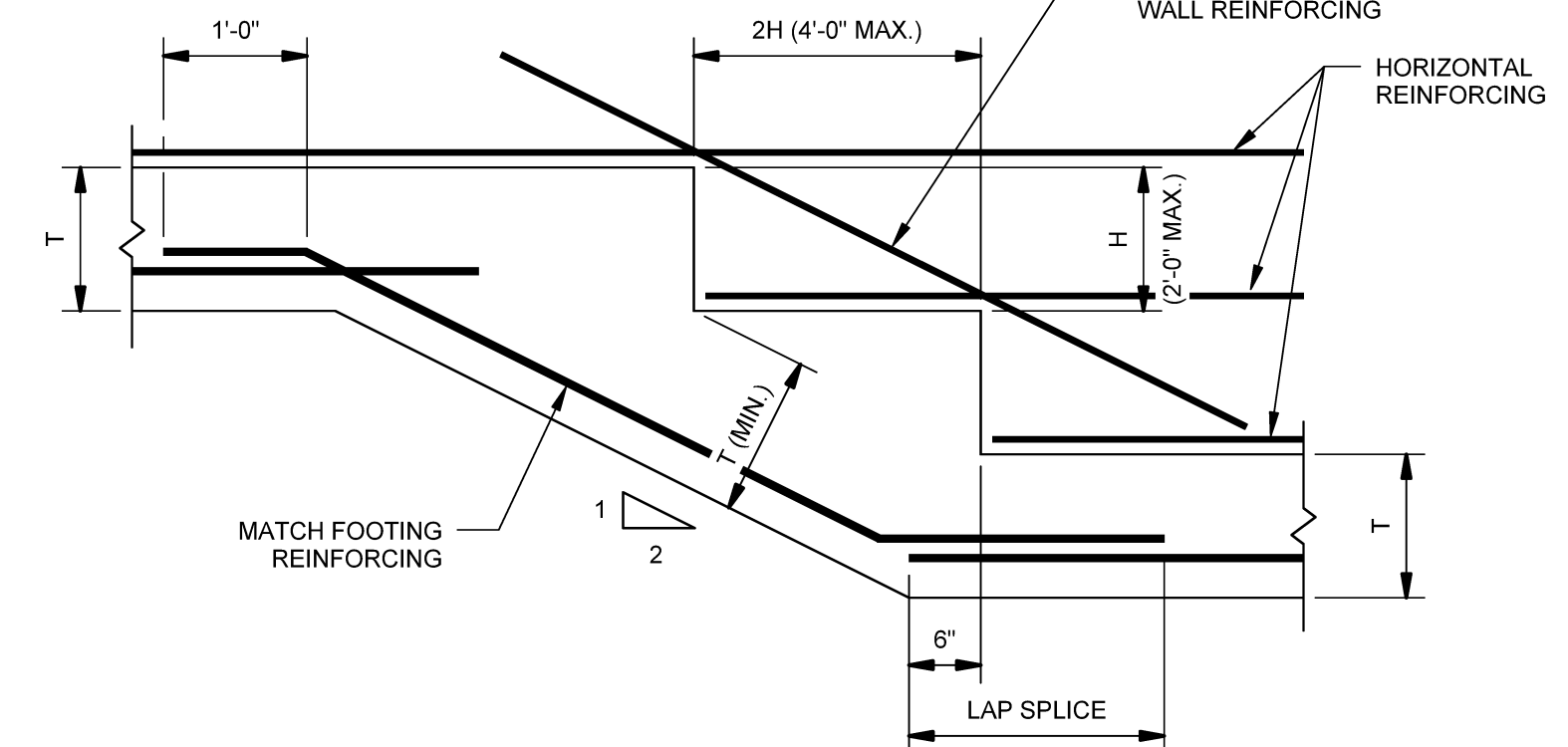
D2 SECTION AT BOTTOM OF RAMP
SCALE: 1 1/2" = 1'-0"



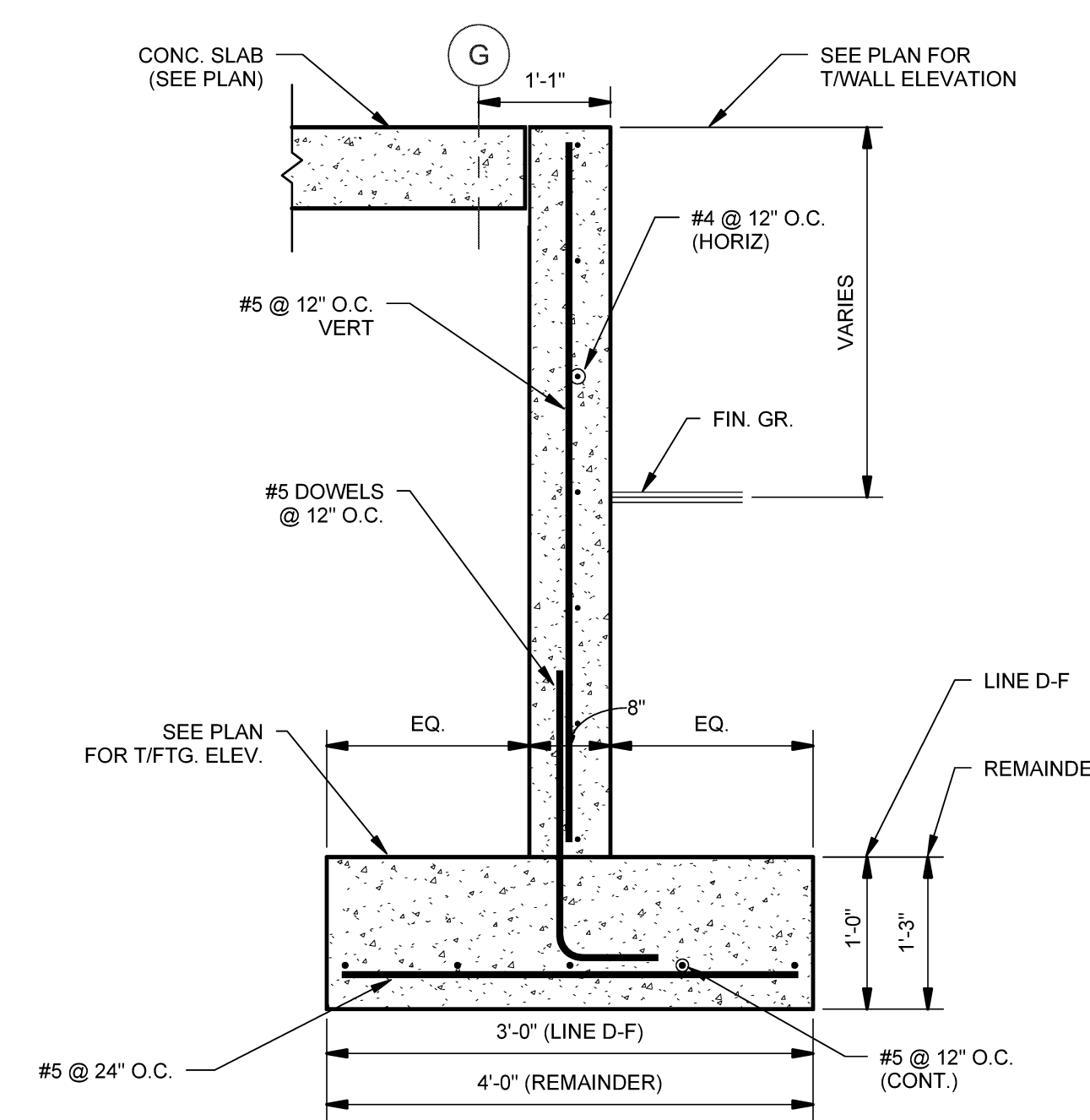
D3 SECTION AT TOP OF RAMP
SCALE: 1 1/2" = 1'-0"



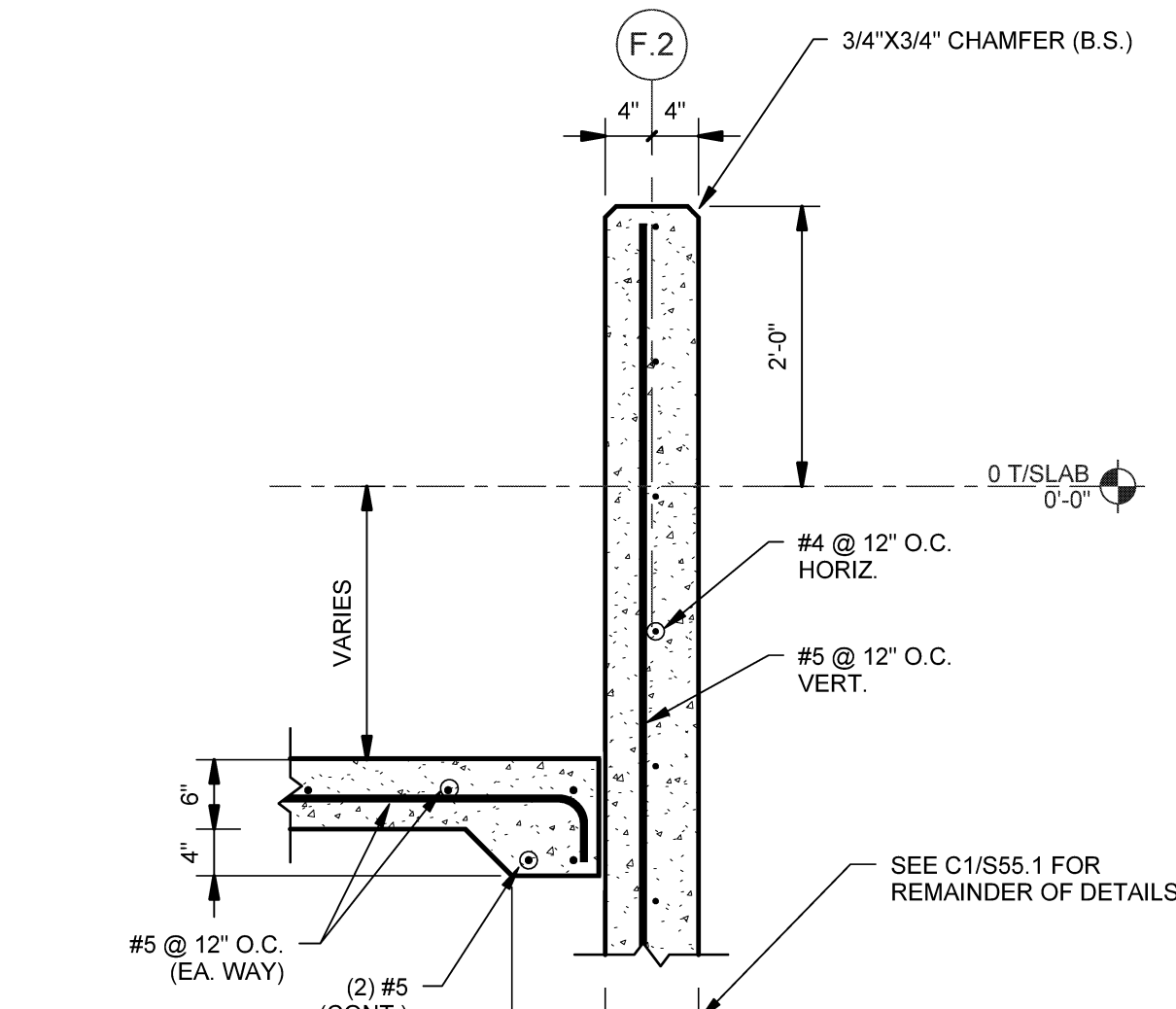
D4 TYP. PIER AND FOOTING DETAIL
SCALE: 3/4" = 1'-0"



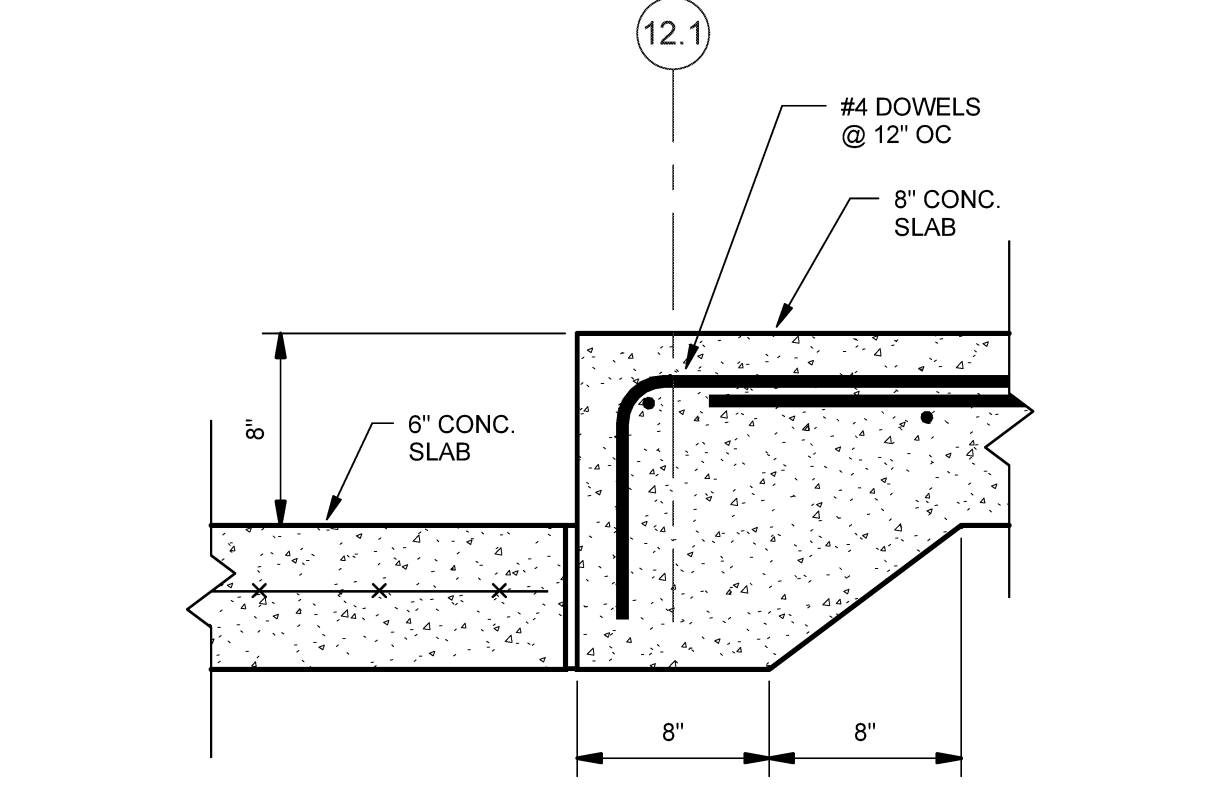
D5 TYP. STEPPED FOOTING DETAIL
SCALE: 3/4" = 1'-0"



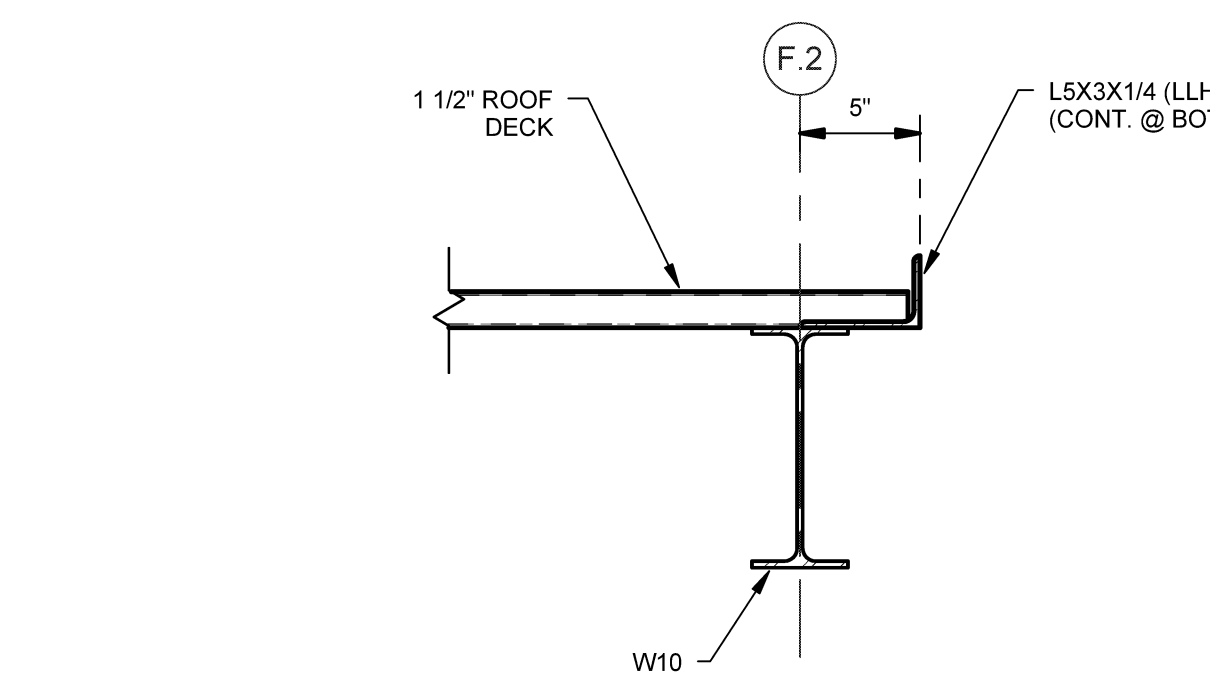
C1 SECTION AT TYP. FNDN. WALL
SCALE: 3/4" = 1'-0"



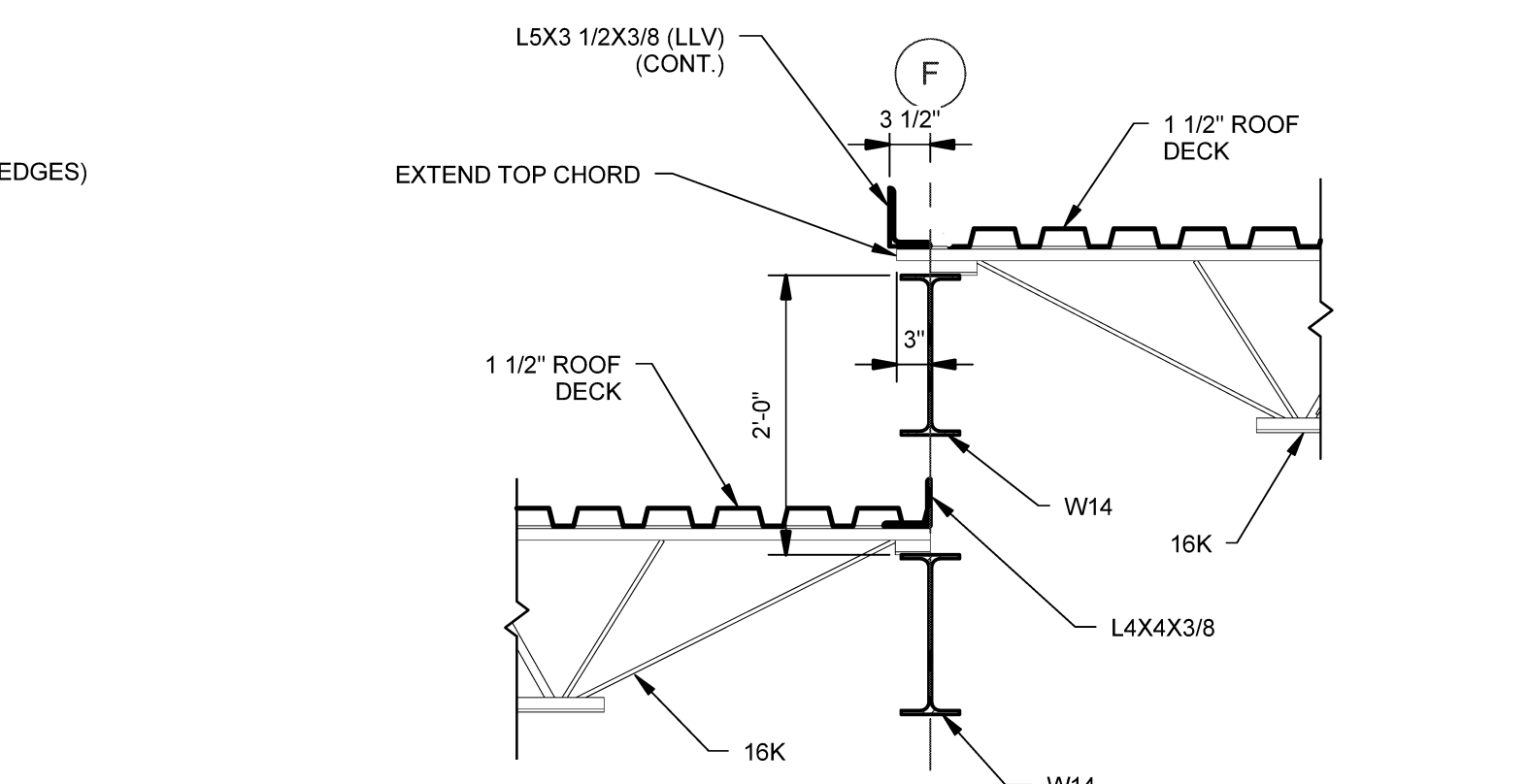
C2 SECTION AT RAMP WALL
SCALE: 3/4" = 1'-0"



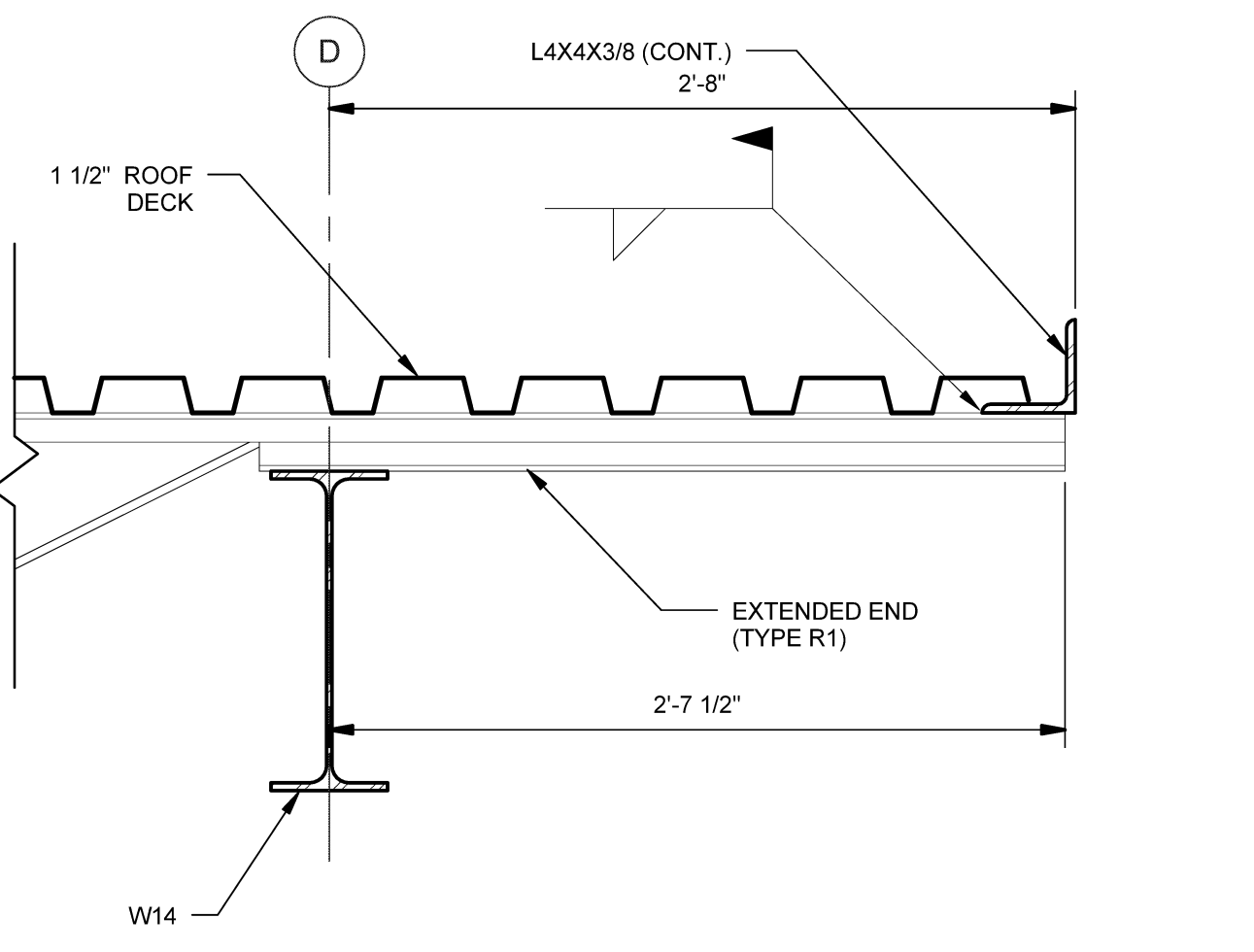
C3 SECTION AT SLAB RECESS
SCALE: 1 1/2" = 1'-0"



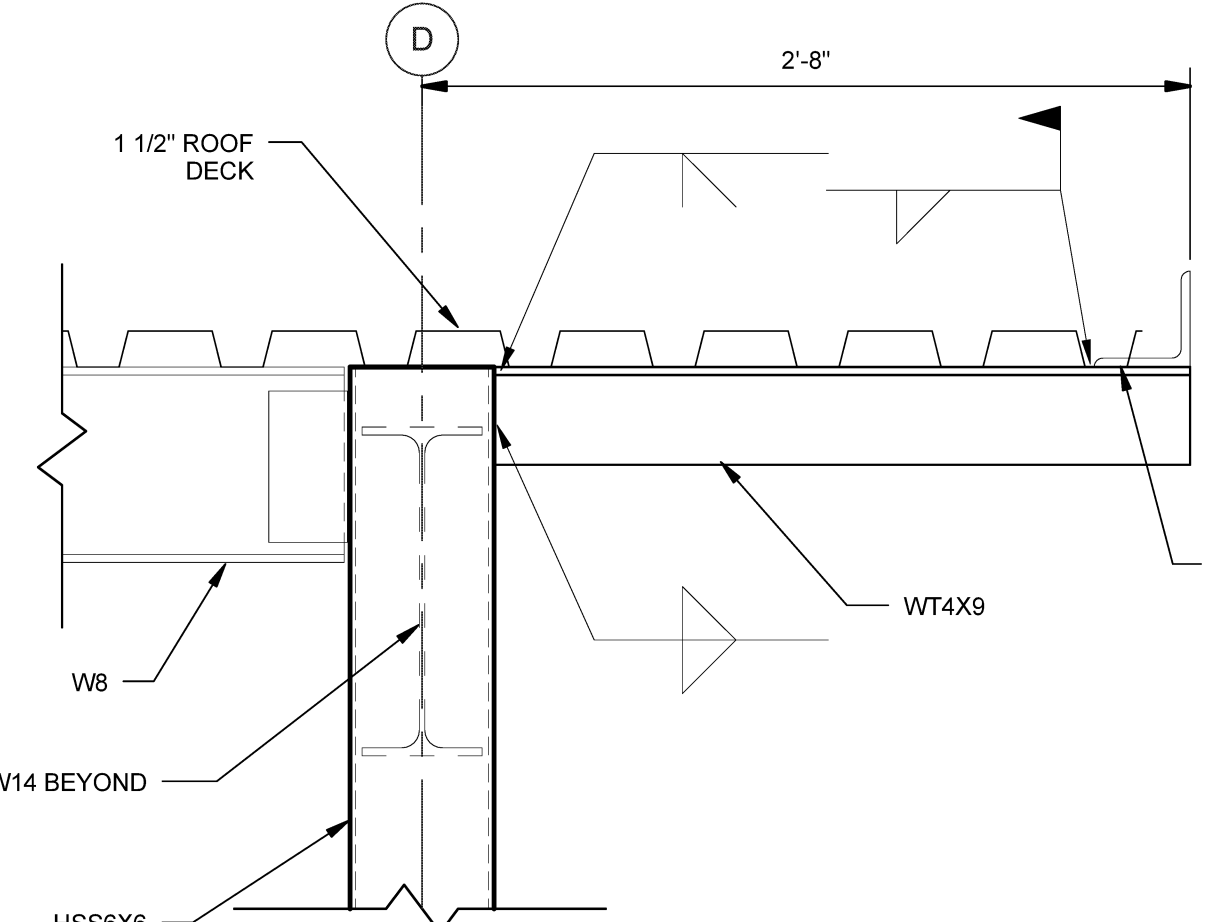
C4 SECTION AT CANOPY ROOF EDGE
SCALE: 1 1/2" = 1'-0"



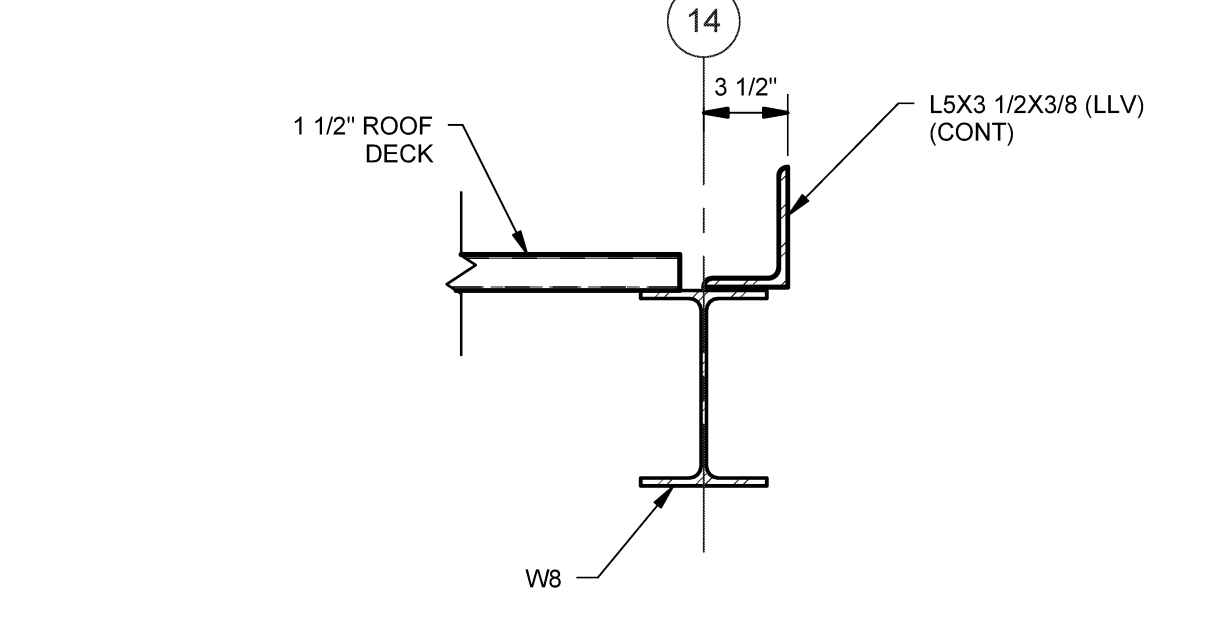
C5 SECTION AT ROOF STEP
SCALE: 3/4" = 1'-0"



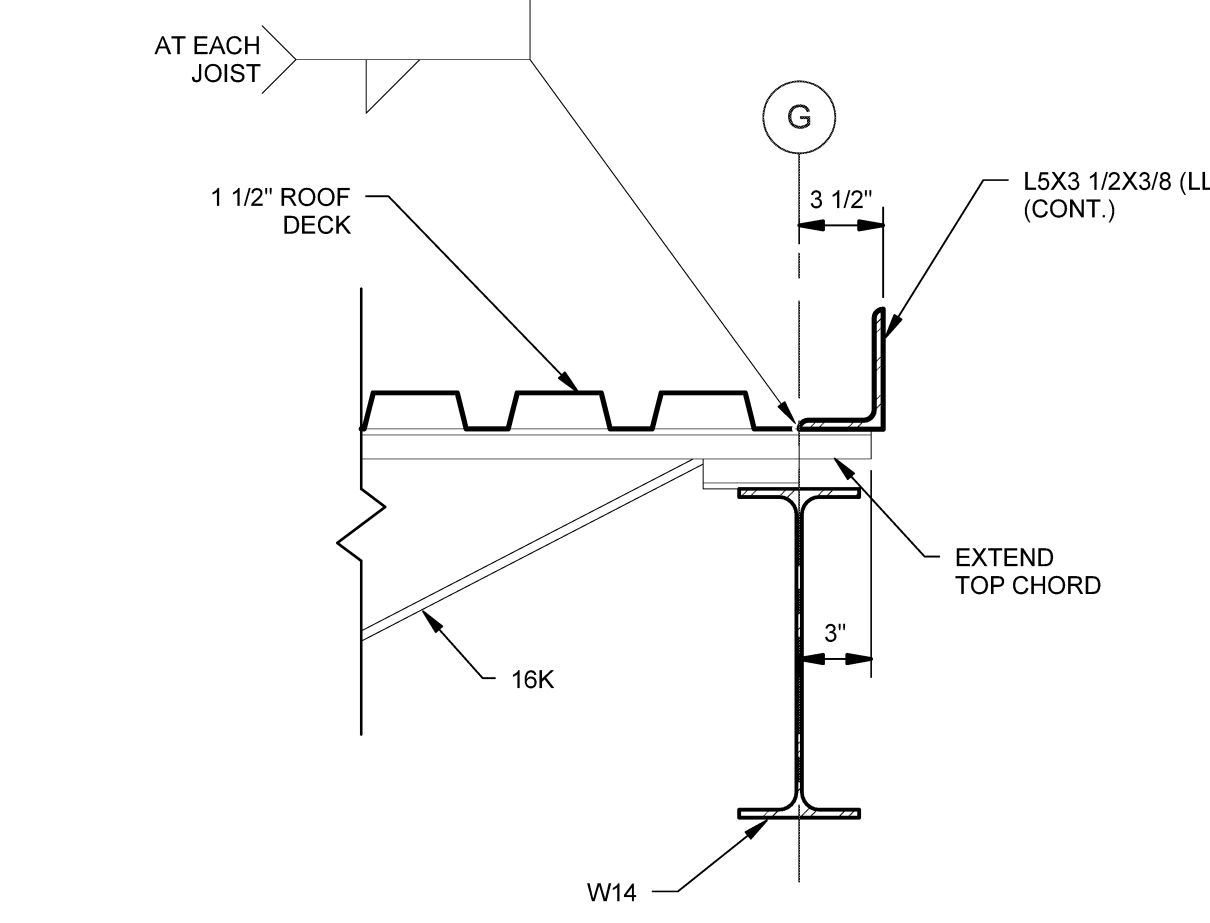
B1 SECTION AT JOIST EXTENSIONS
SCALE: 1 1/2" = 1'-0"



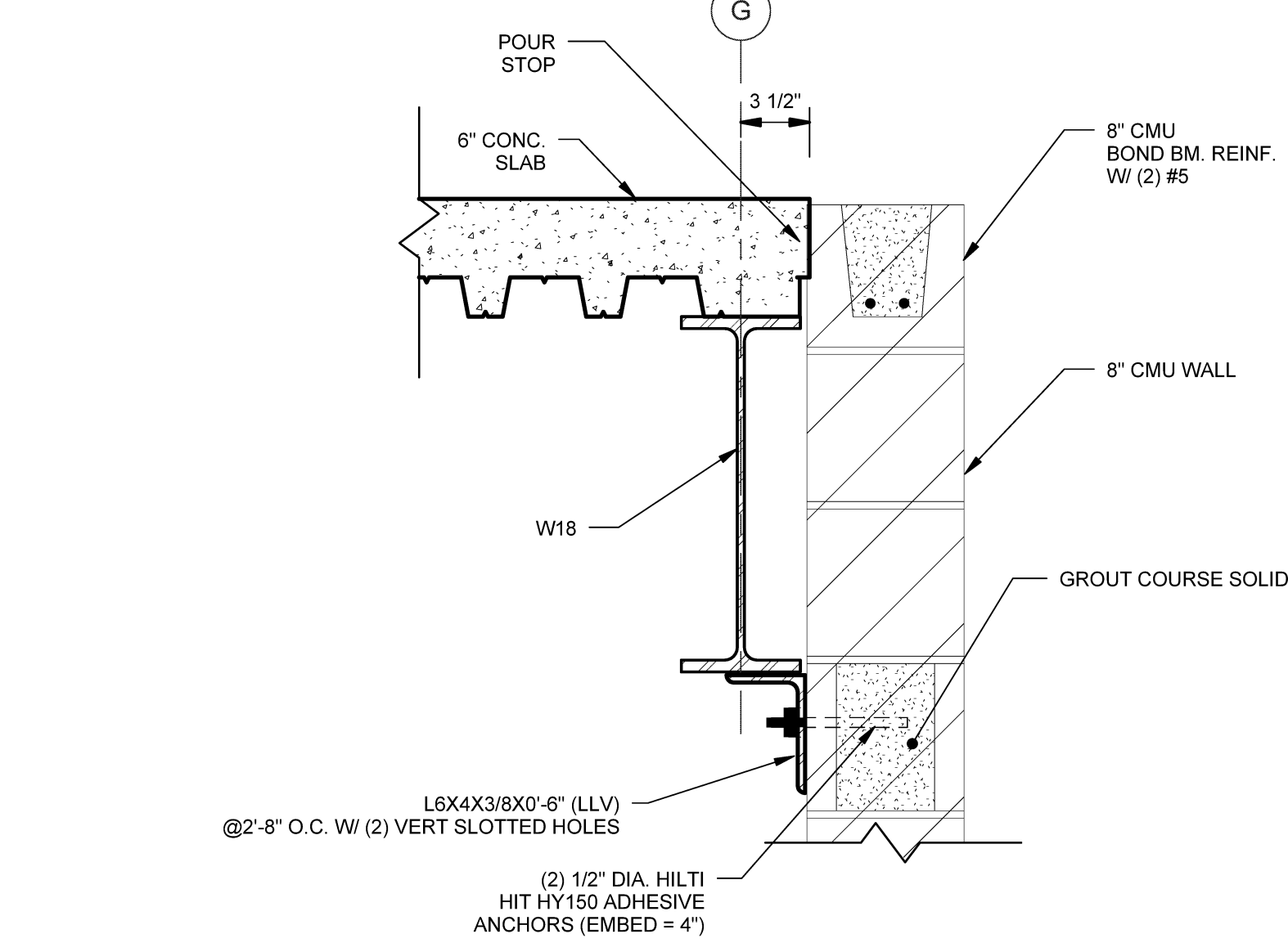
B2 SECTION AT ROOF EXTENSION
SCALE: 1 1/2" = 1'-0"



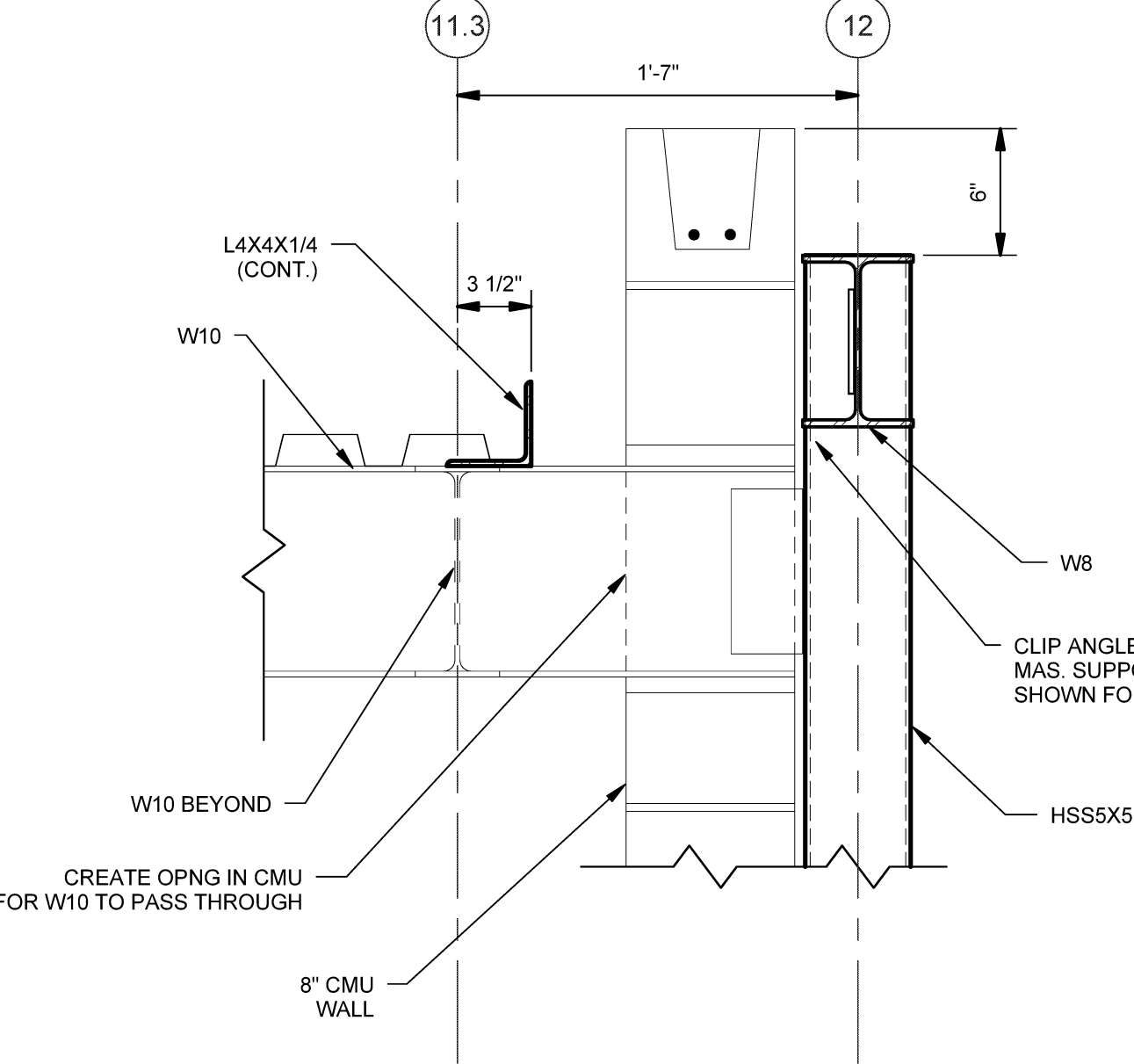
B3 SECTION AT ROOF EDGE
SCALE: 1 1/2" = 1'-0"



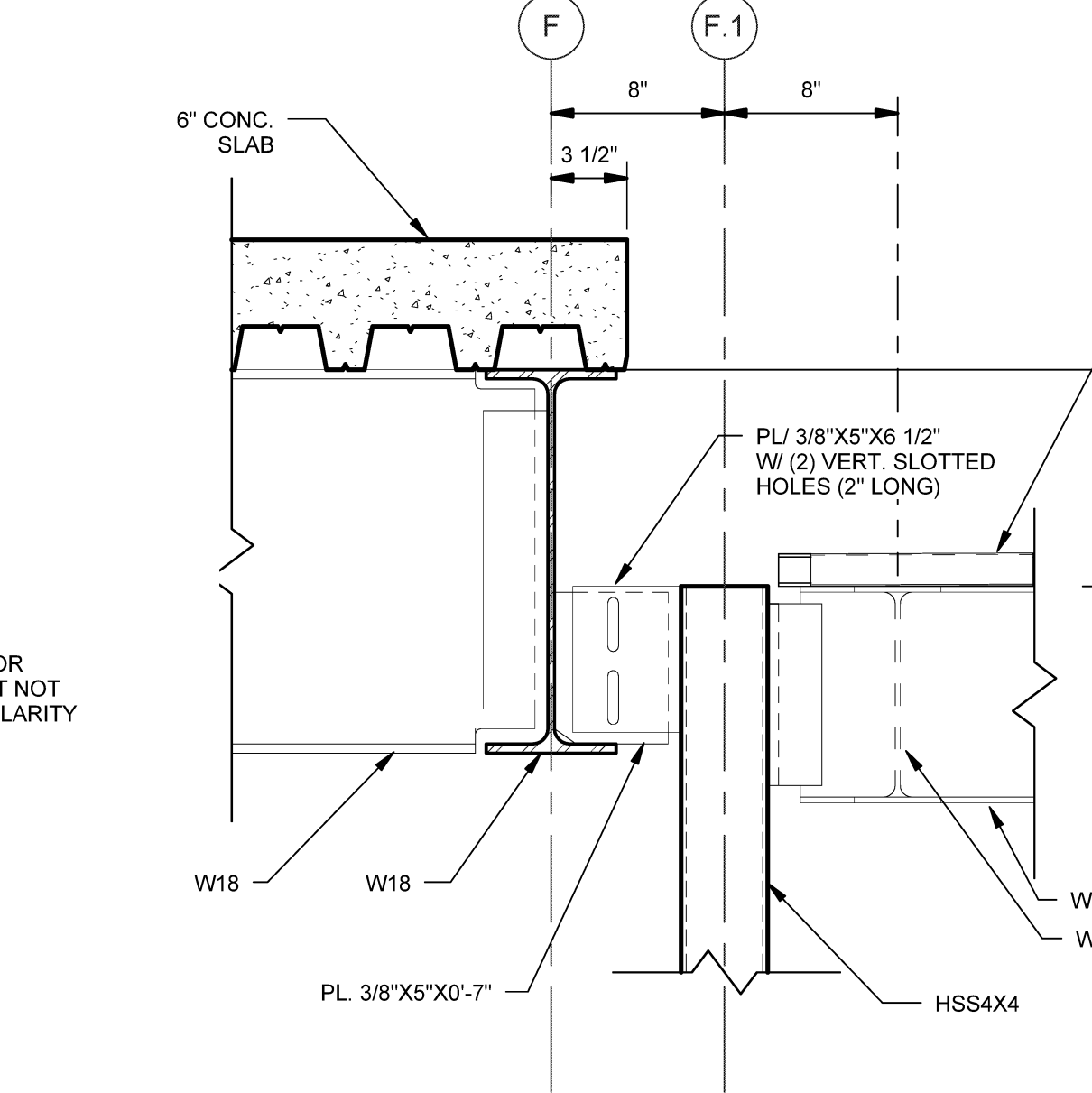
B4 SECTION AT ROOF EDGE - JOIST BRG.
SCALE: 1 1/2" = 1'-0"



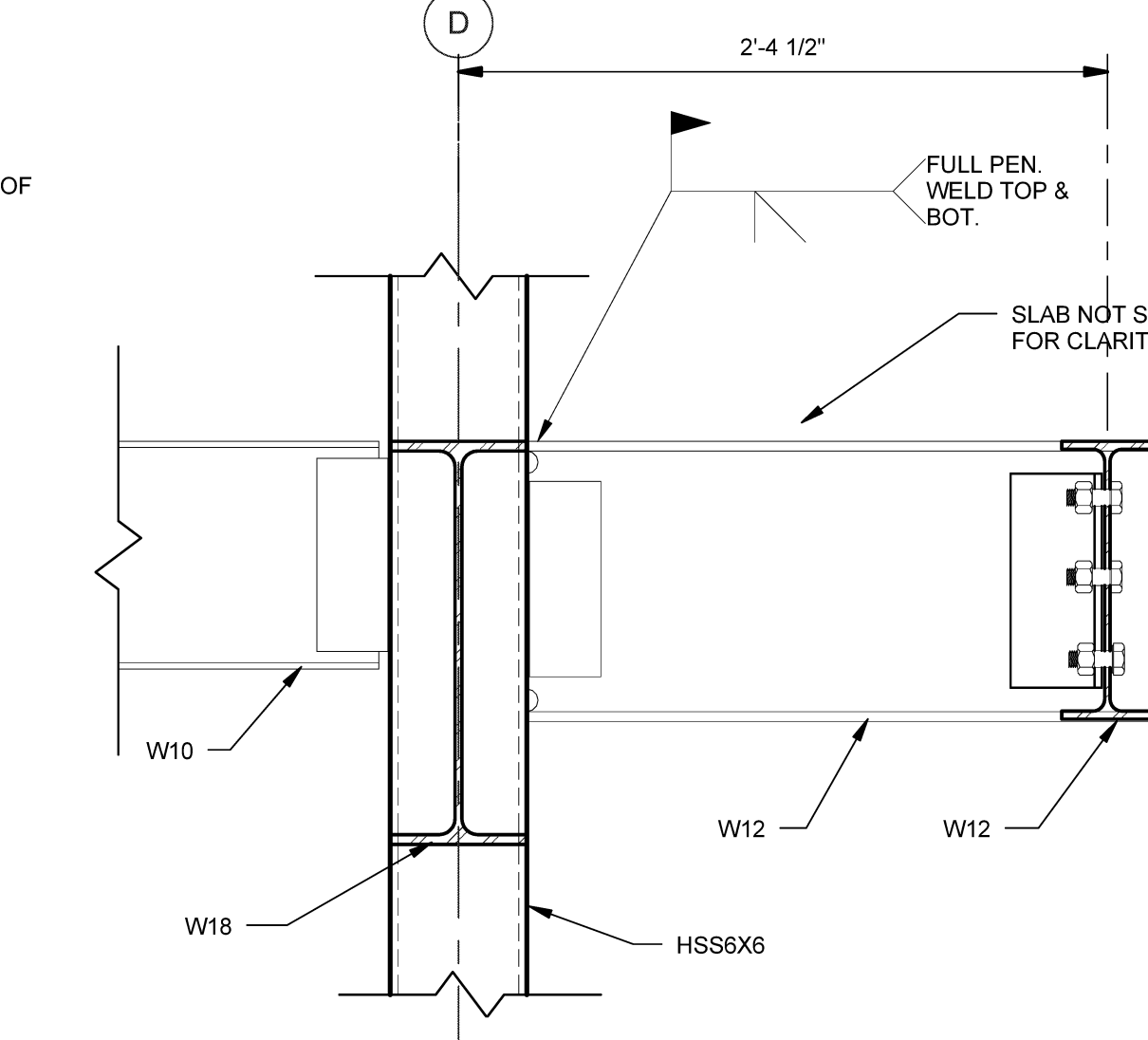
B5 SECTION AT TOP OF CMU WALL
SCALE: 1 1/2" = 1'-0"



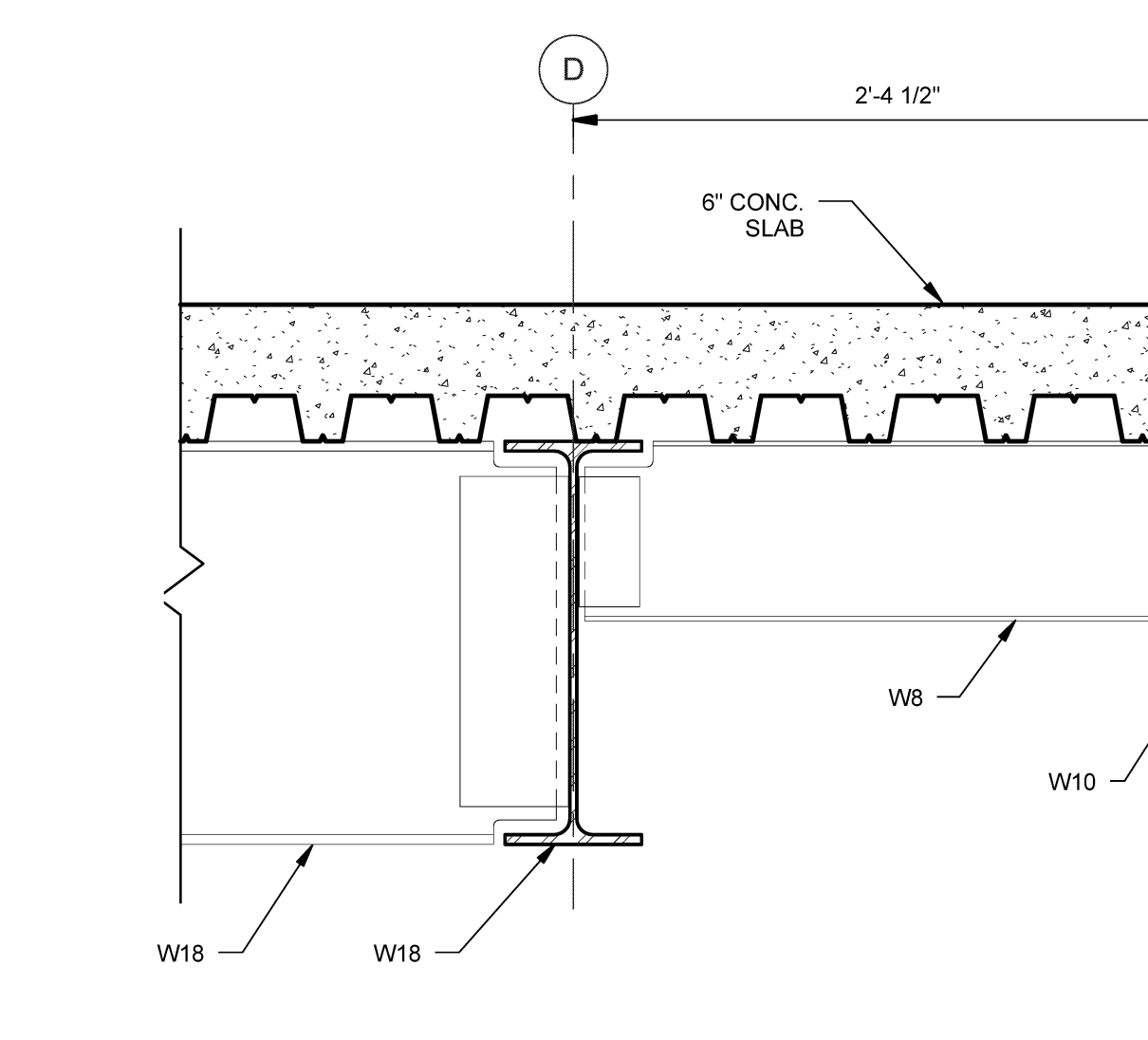
A1 SECTION AT CANOPY CONNECTION
SCALE: 1 1/2" = 1'-0"



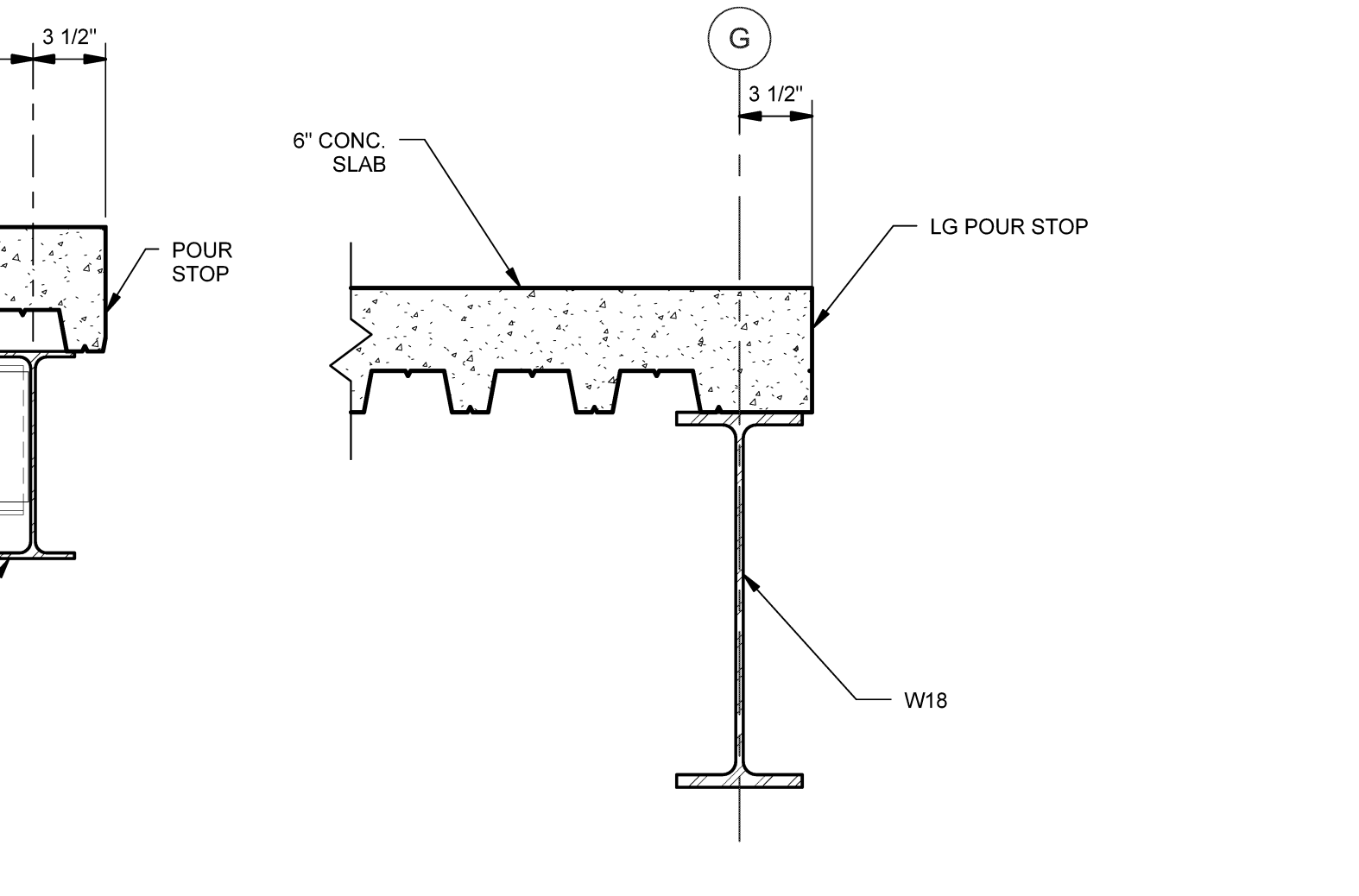
A2 SECTION AT CANOPY COLUMN
SCALE: 1 1/2" = 1'-0"



A3 SECTION AT MOMENT CONNECTION
SCALE: 1 1/2" = 1'-0"



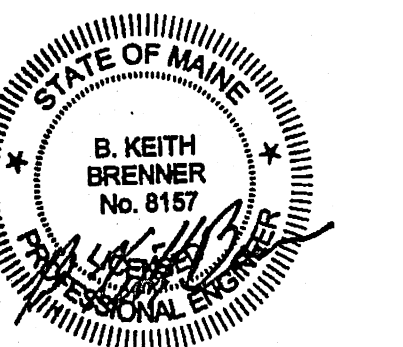
A4 SECTION AT LINE D
SCALE: 1 1/2" = 1'-0"



A5 SECTION AT SLAB EDGE
SCALE: 1 1/2" = 1'-0"

Issues and Revisions

Mark	Date	Description
07-25-14		ISSUED FOR CONSTRUCTION



Drawing Scales: As indicated

PA/PE: BKB © 2014
Drawn By: ZPP Harriman Associates

NOTES AND DETAILS

S55.1

Plot Date: 7/24/2014 3:35:32 PM