

FRAMING PLAN NOTES:

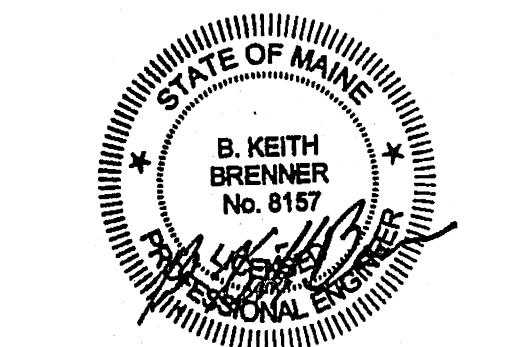
- TOP OF STEEL ELEVATION IS INDICATED ON EACH FRAMING PLAN, REFERENCED FROM FINISH FLOOR ELEVATION 70.0' (+0.0').
- ALL STEEL BEAMS TO CONFORM TO ASTM A992 (Fy=50 KSI)
- ALL RECTANGULAR HSS COLUMNS TO CONFORM TO ASTM A500 (GR. B) (Fy=46 KSI)
- INDICATES DIAGONAL STEEL BRACING. SEE BRACING ELEVATIONS FOR DETAILS.
- INDICATES HORIZONTAL BRIDGING. (EQUALLY SPACED)
- TYP INDICATES BOLTED TIE JOIST. EXTEND BOTTOM CHORD AT COLUMNS (DO NOT WELD). SEE TYP. DETAIL.
- D1 INDICATES SPAN OF 1'-1/2" - 22 GA. TYPE B ROOF DECK (GALV).
- S1 INDICATES SPAN OF 2' - 20 GA. FLOOR DECK (GALV).
- PROVIDE UPLIFT BRIDGING AS SHOWN AT FIRST BOTTOM CHORD PANEL POINT (TYP.) NET UPLIFT PRESSURE = 12 PSF.
- [12] INDICATES NUMBER OF 3/4" DIA. x 3 1/2" LONG WELDED SHEAR STUDS.

FOUNDATION PLAN NOTES:

- TOP OF CONCRETE ELEVATION IS REFERENCED (+/-) FROM FINISH FLOOR ELEVATION 70.0' (+0.0').
- (-8') INDICATES TOP OF CONCRETE ELEVATION.
- (-6'-0") INDICATES TOP OF FOOTING ELEVATION.
- PIERS AND SPREAD FOOTINGS ARE CENTERED ON COLUMNS, UNLESS NOTED OTHERWISE.

| Mark | Date | Description |
|----------|-------------------------|-------------|
| 06-27-14 | FINAL REVIEW | |
| 07-25-14 | ISSUED FOR CONSTRUCTION | |

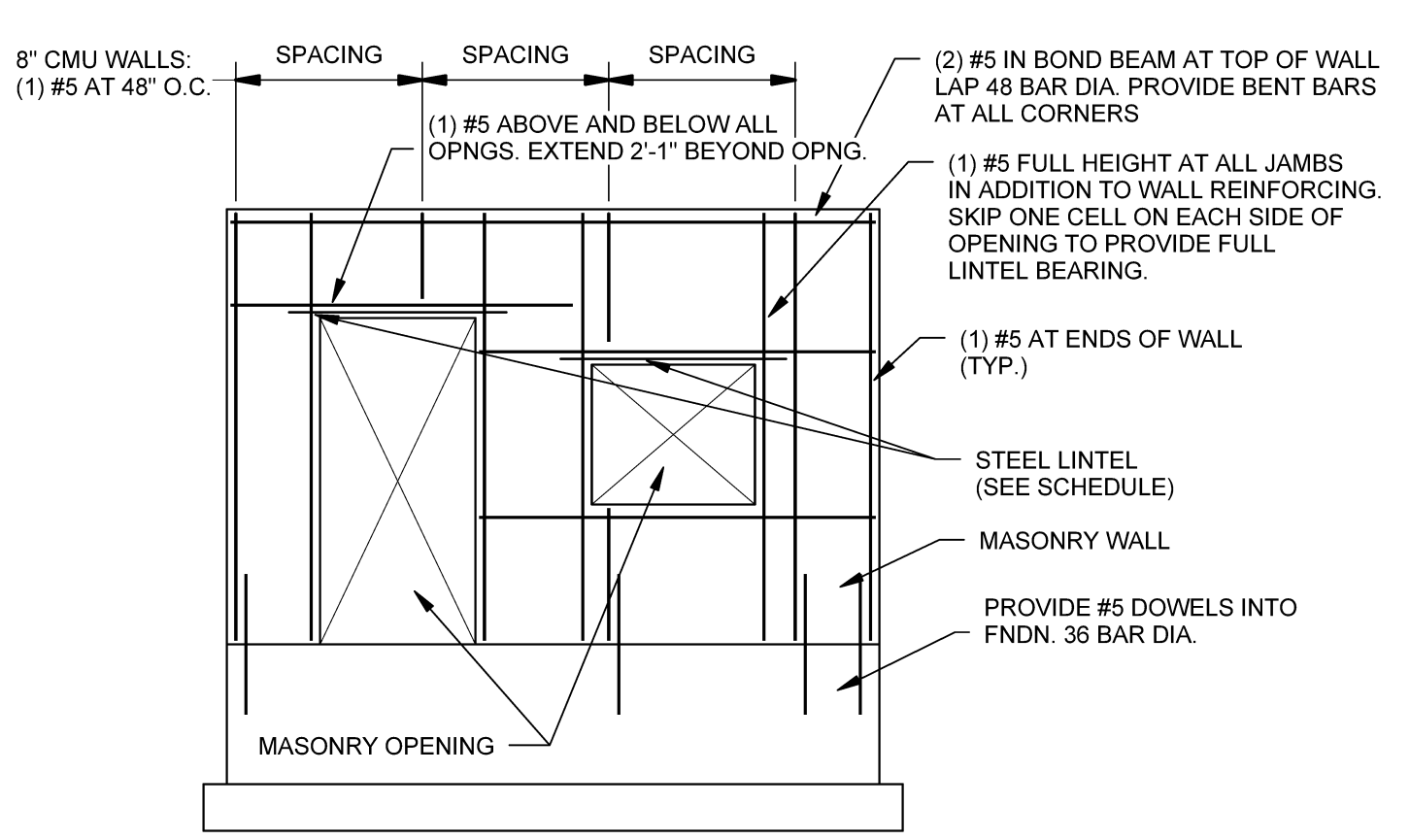
Issues and Revisions



Drawing Scale: As indicated

PA/PE: BKB © 2014
 Drawn By: Harriman Associates

FOUNDATION AND FRAMING PLANS



STEEL COLUMN SCHEDULE

| LOCATION | TYPE | BASE PLATE |
|----------|-------------|------------|
| D-11 | HSS6X8X1/4 | BP2 |
| D-11.2 | HSS6X8X1/2 | BP3 |
| D-12.1 | HSS6X8X3/8 | BP3 |
| D-13 | HSS6X8X3/8 | BP3 |
| D-14 | HSS6X8X1/4 | BP2 |
| E-11 | HSS6X8X1/4 | BP2 |
| E-12.1 | HSS6X8X1/4 | BP3 |
| E-13 | HSS7X7X1/4 | BP4 |
| E-14 | HSS6X8X1/4 | BP2 |
| F-11 | HSS6X8X1/4 | BP2 |
| F-11.2 | HSS6X8X1/8 | BP2 |
| F-12 | HSS6X6X5/16 | BP2 |
| F-12.1 | HSS6X8X1/4 | BP3 |
| F-13 | HSS7X7X3/8 | BP4 |
| F-14 | HSS6X8X3/8 | BP2 |
| F-1-11.1 | HSS4X4X1/4 | BP1 |
| F-1-11.3 | HSS4X4X1/4 | BP1 |
| F-2-11.1 | HSS4X4X1/4 | BP1 |
| F-2-12 | HSS6X8X1/4 | BP5 |
| G-12 | HSS6X8X1/4 | BP2 |
| G-13 | HSS6X8X3/8 | BP2 |
| G-14 | HSS6X8X1/4 | BP2 |

BASE PLATE SCHEDULE

| MARK | DEPTH | WIDTH | THICKNESS S | ANCHORS | EMBEDMENT NT | PLATE TYPE |
|------|-------|-------|-------------|------------------------------|--------------|------------|
| BP1 | 6" | 10" | 3/4" | (4) 3/4" DIA. F1554 (GR. 36) | 9" | B |
| BP2 | 8" | 12" | 1" | (4) 3/4" DIA. F1554 (GR. 36) | 9" | B |
| BP3 | 12" | 12" | 1" | (4) 3/4" DIA. F1554 (GR. 36) | 9" | A |
| BP4 | 14" | 14" | 1" | (4) 3/4" DIA. F1554 (GR. 36) | 9" | A |
| BP5 | 7" | 11" | 3/4" | (4) 3/4" DIA. F1554 (GR. 36) | 9" | B |

B4 TYP. STEEL LINTEL SCHEDULE

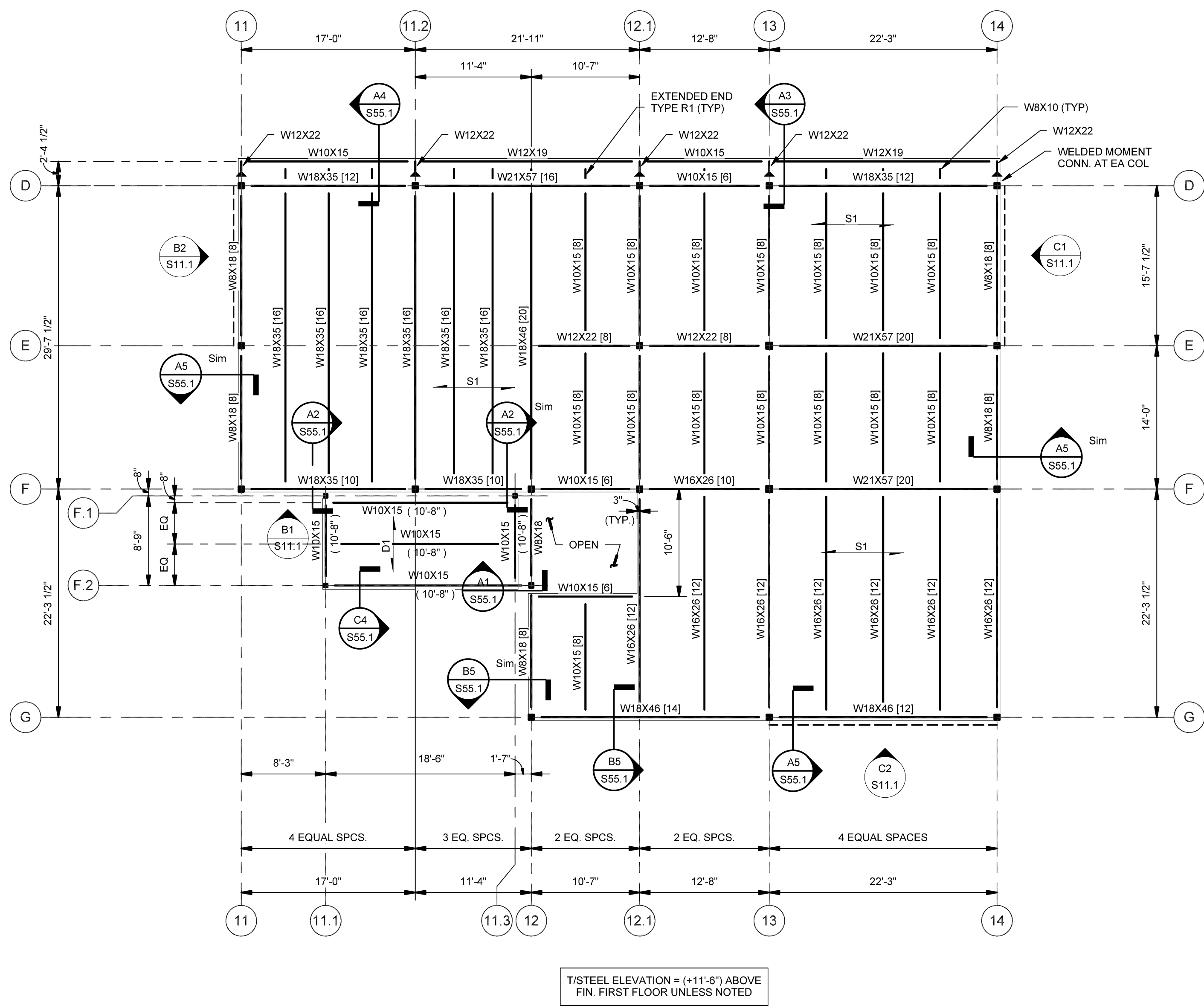
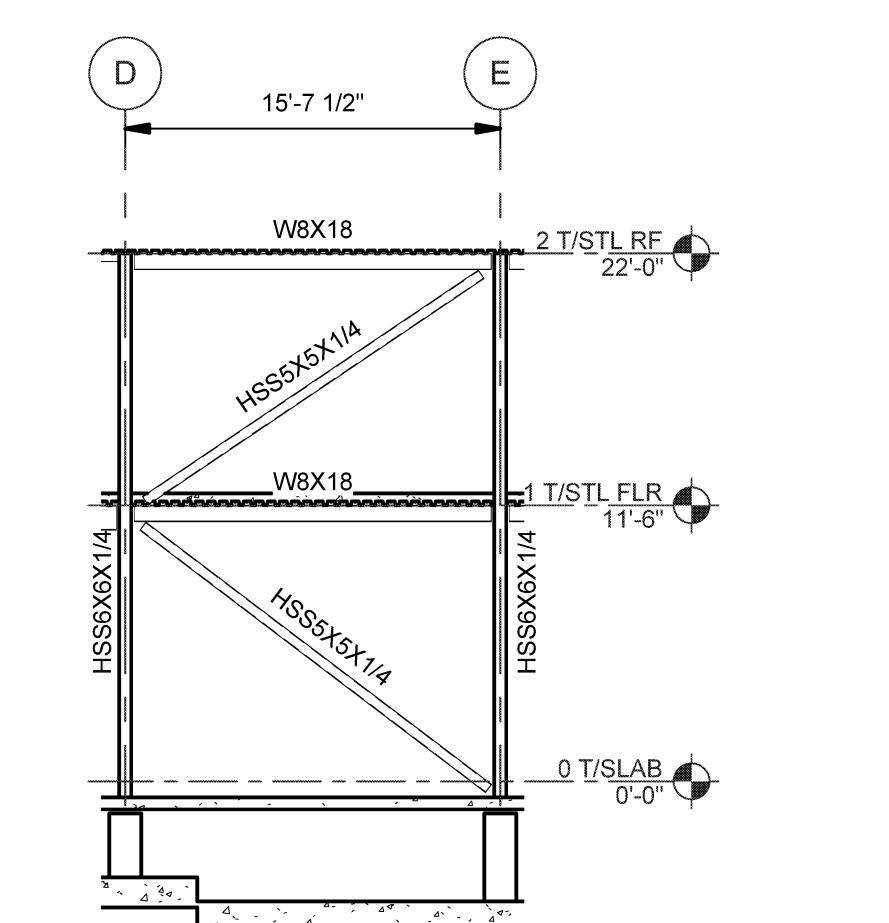
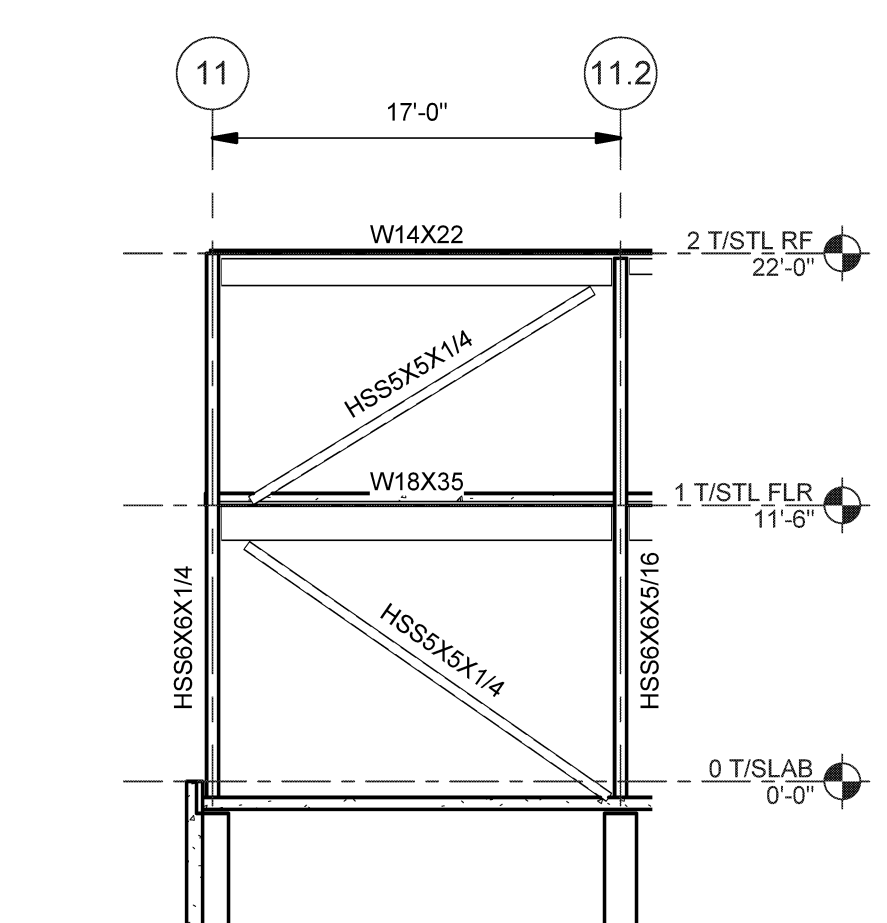
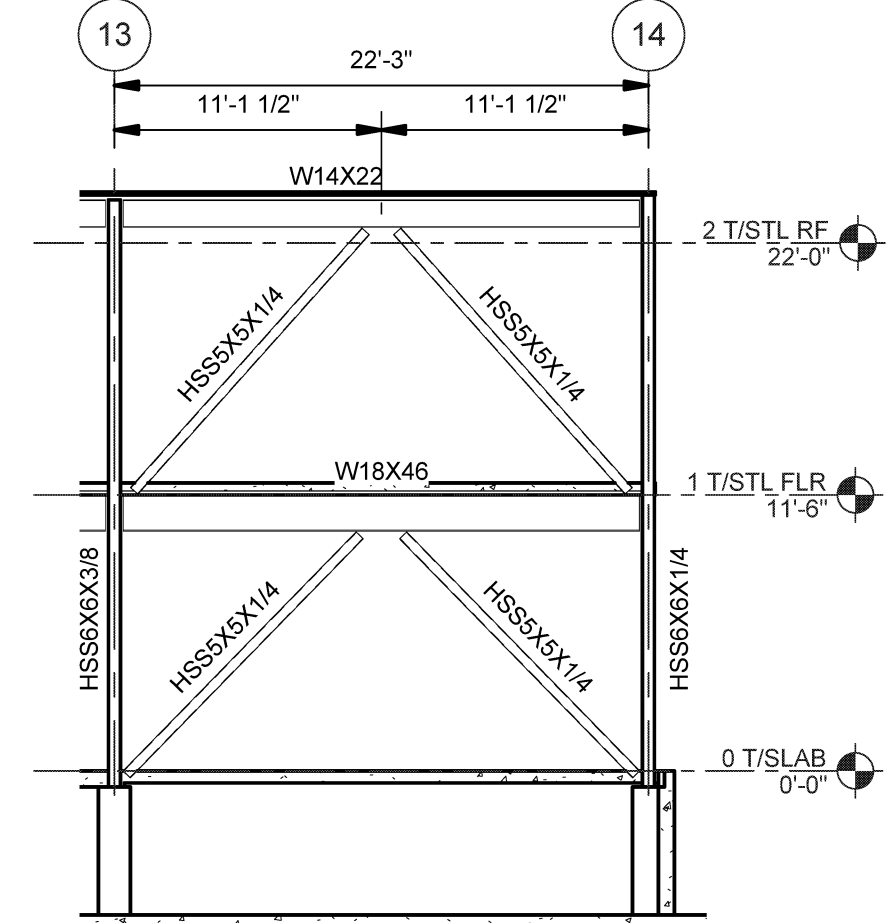
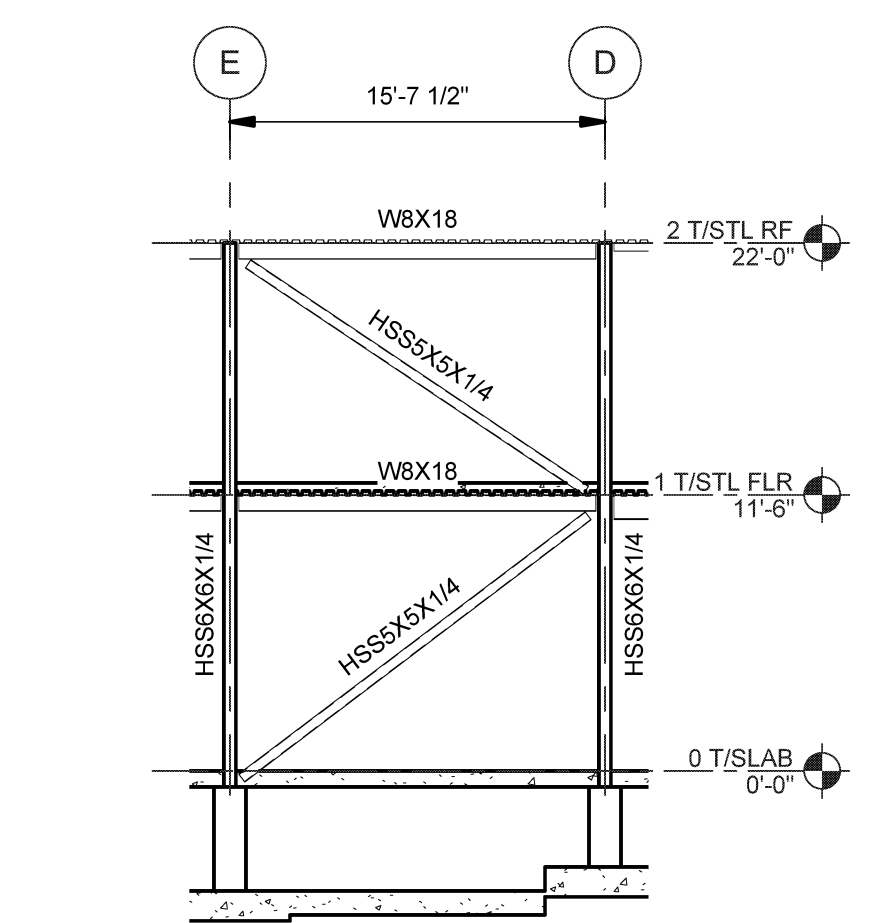
SCALE: 3/4" = 1'-0"

PIER SCHEDULE

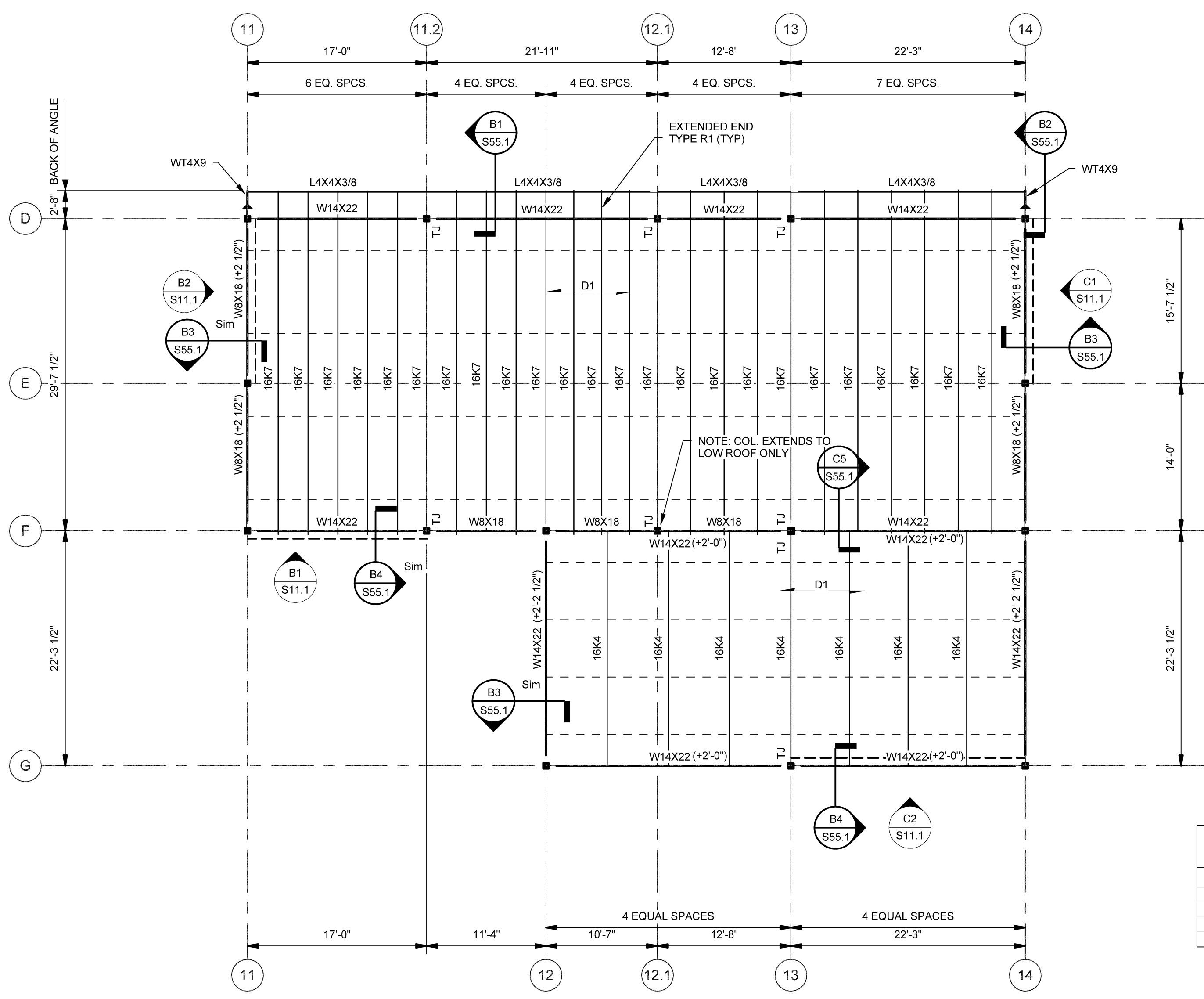
| PIER MARK | LENGTH | WIDTH | VERTICAL REINFORCING | BENT TIES |
|-----------|--------|-------|----------------------|-----------|
| P1 | 12" | 16" | (4) #5 | #4 AT 12" |
| P2 | 10" | 14" | (4) #6 | #4 AT 12" |

FOOTING SCHEDULE

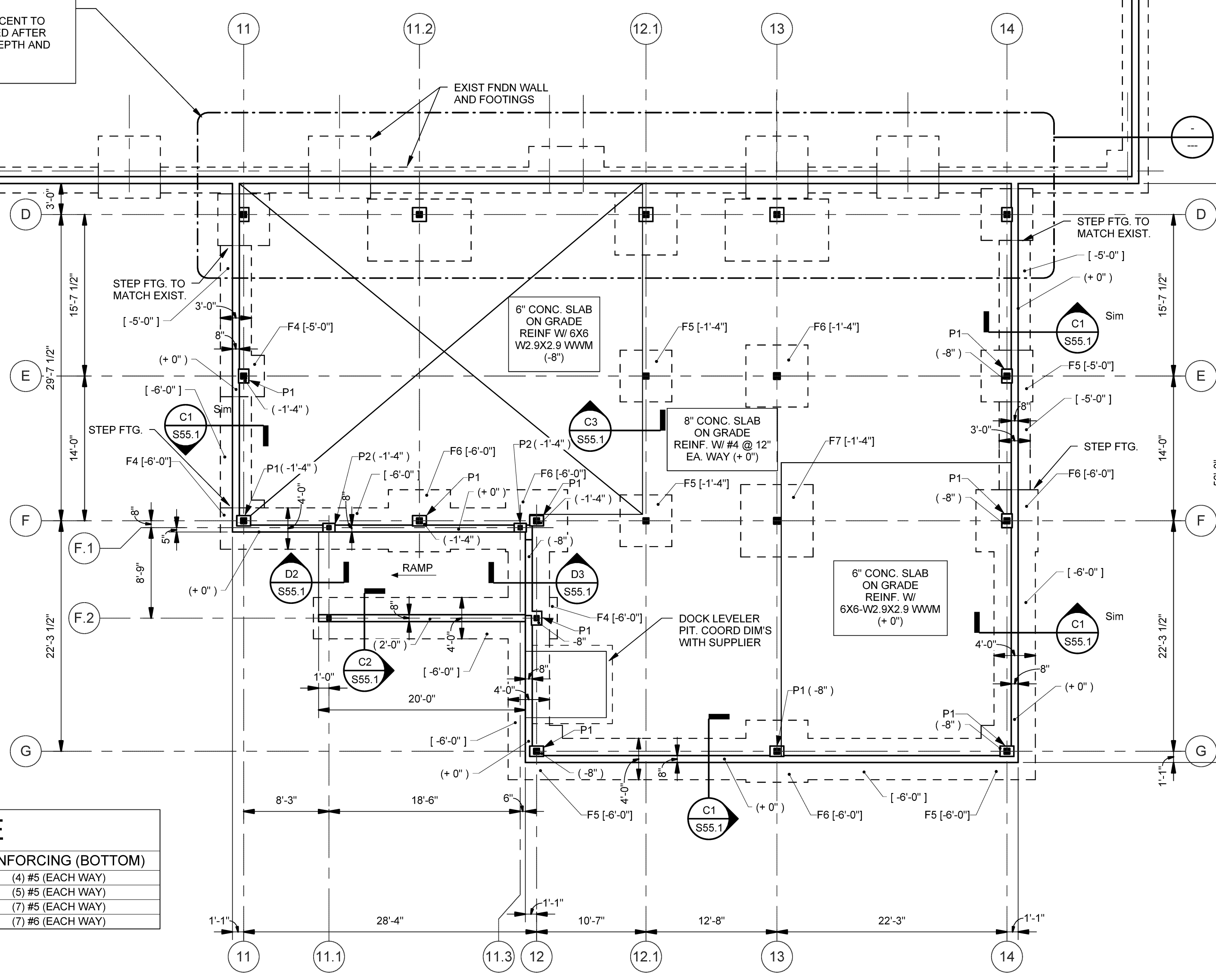
| FOOTING MARK | LENGTH | WIDTH | THICKNESS | REINFORCING (BOTTOM) |
|--------------|--------|-------|-----------|----------------------|
| F4 | 4'-0" | 4'-0" | 1'-0" | (4) #5 EACH WAY |
| F5 | 5'-0" | 5'-0" | 1'-3" | (5) #5 EACH WAY |
| F6 | 6'-0" | 6'-0" | 1'-3" | (7) #5 EACH WAY |
| F7 | 7'-0" | 7'-0" | 1'-6" | (7) #6 EACH WAY |



B3 SECOND FLOOR FRAMING PLAN
SCALE: 1/8" = 1'-0"



A1 ROOF FRAMING PLAN
SCALE: 1/8" = 1'-0"



A3 FOUNDATION PLAN
SCALE: 1/8" = 1'-0"