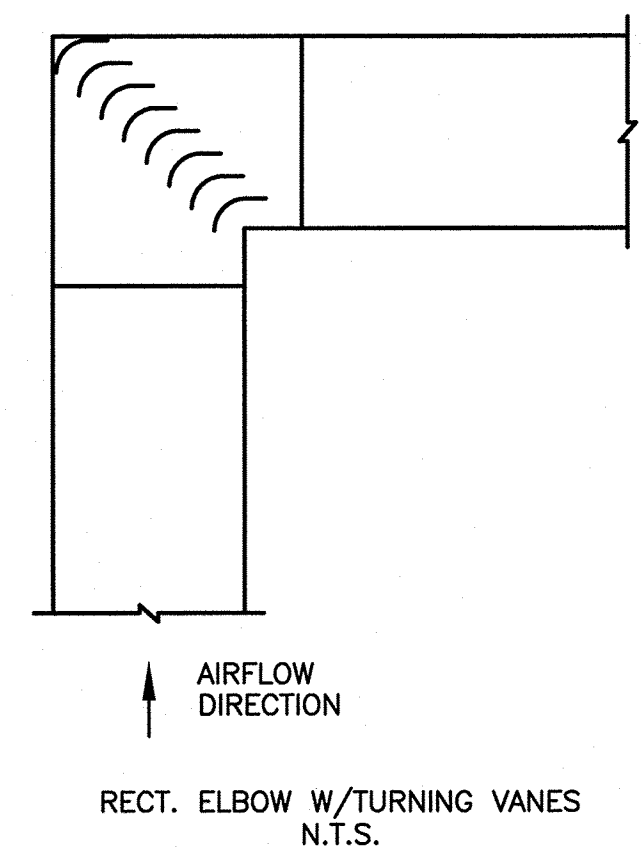
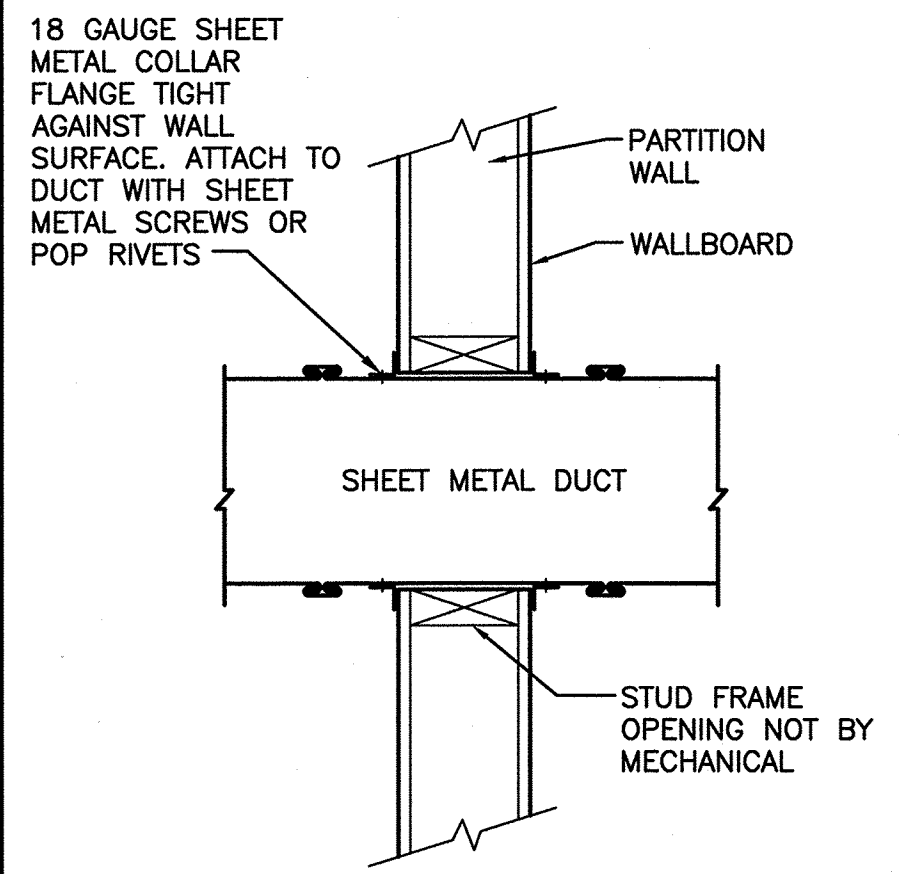
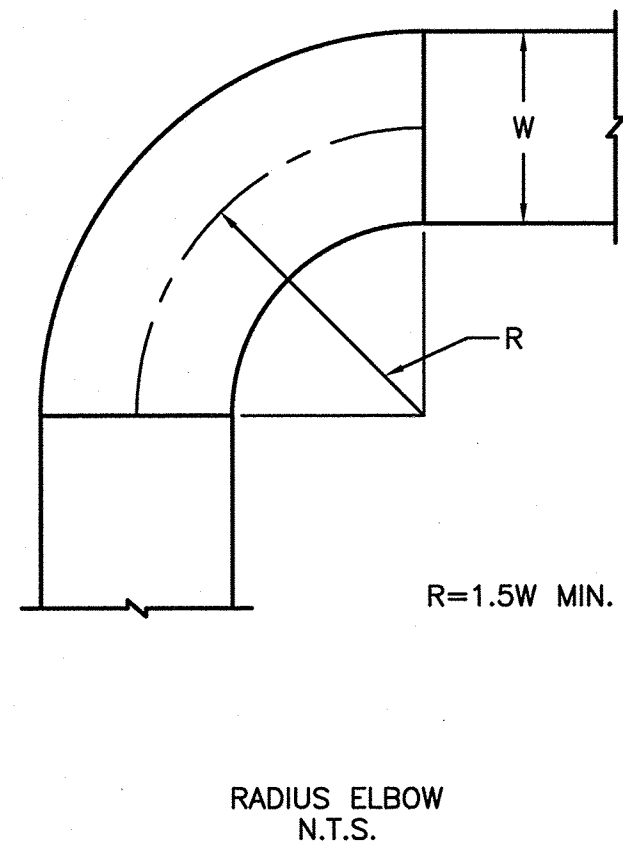


NOTE:
1. INSTALL VANE EDGES TO PROJECT TANGENTS PARALLEL TO DUCT SIDES.

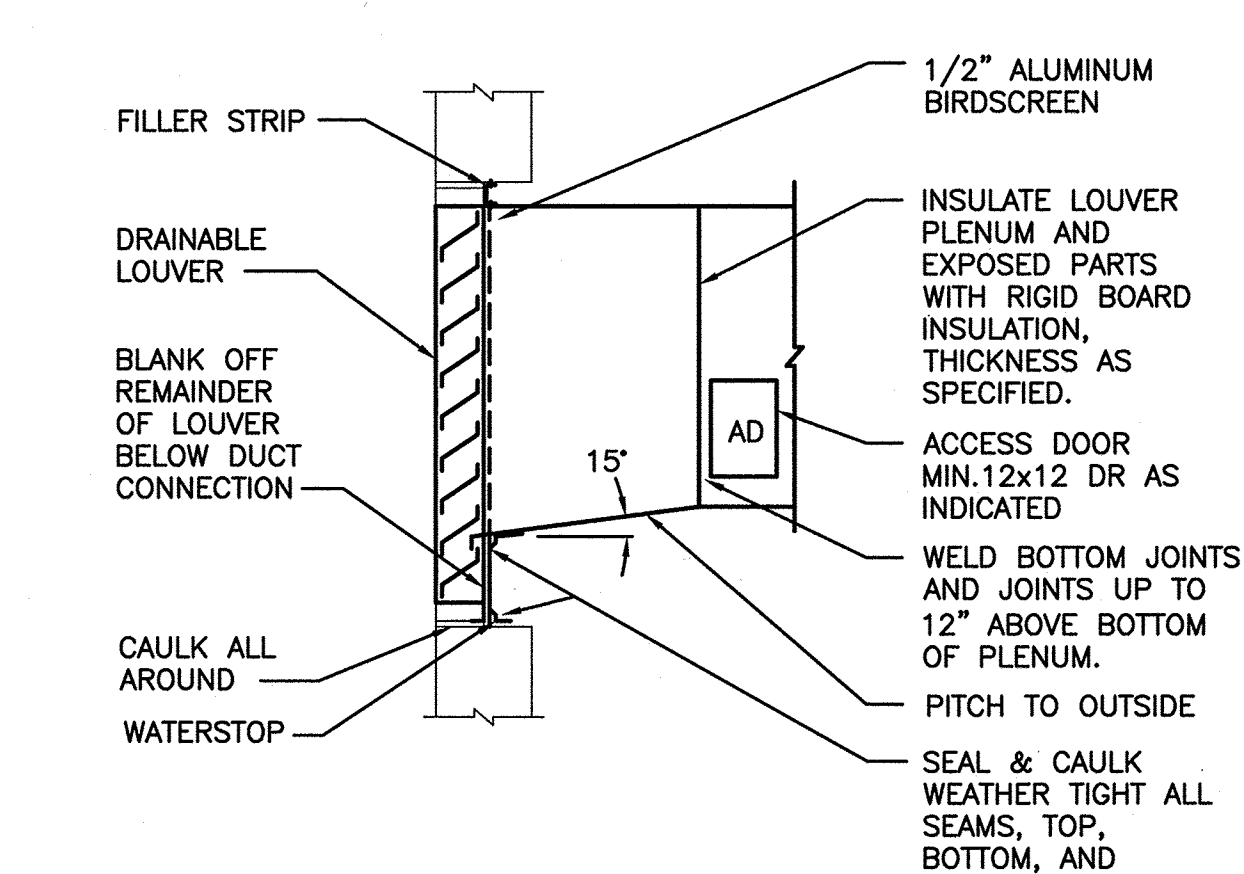


DESIGNER NOTES:
1. USE RADIUS ELBOWS WHENEVER POSSIBLE



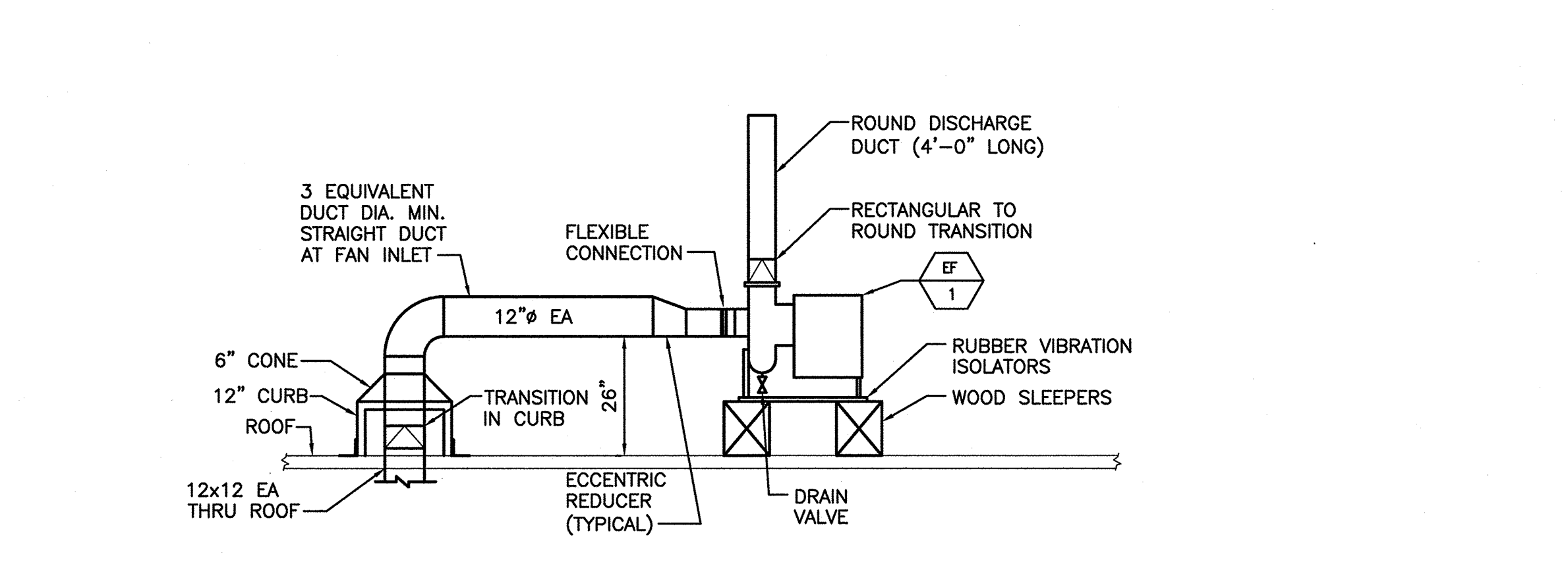
L5 STUD WALL DUCT PENETRATION

NOT TO SCALE



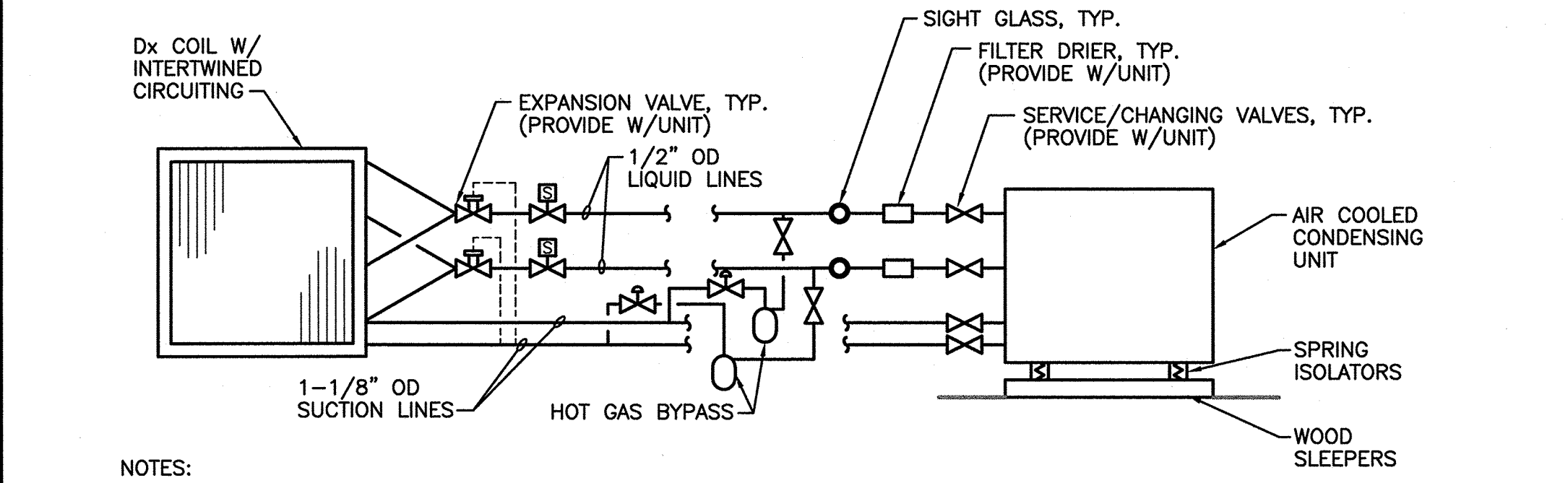
L7 LOUVER CONNECTION

NOT TO SCALE



L10 ROOF MOUNTED EXHAUST FAN

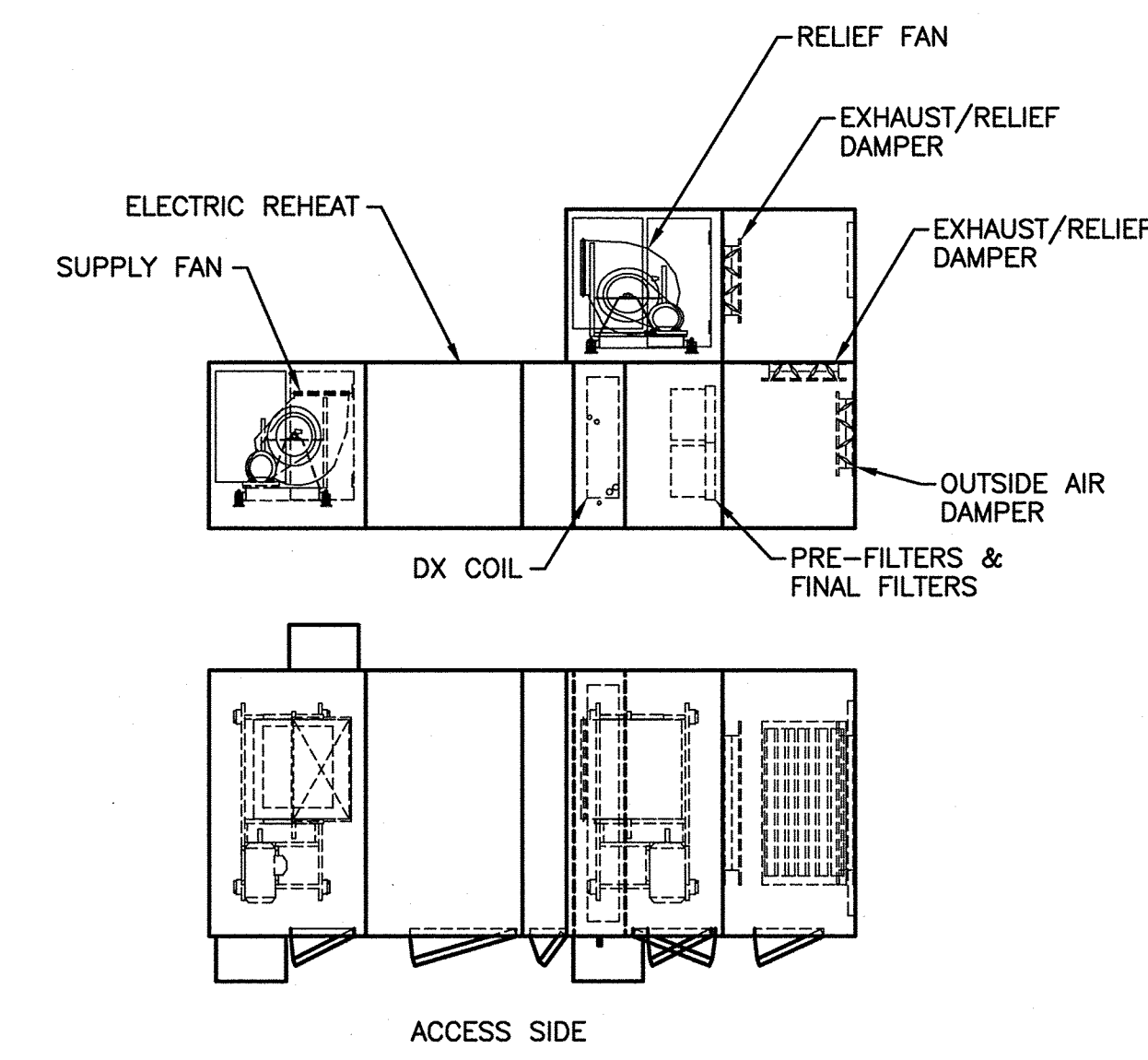
NOT TO SCALE



NOTES:
1. USE GALVANIZED SHEETMETAL, ALUMINUM OR STAINLESS STEEL BASED ON PROJECT AND APPLICATION.

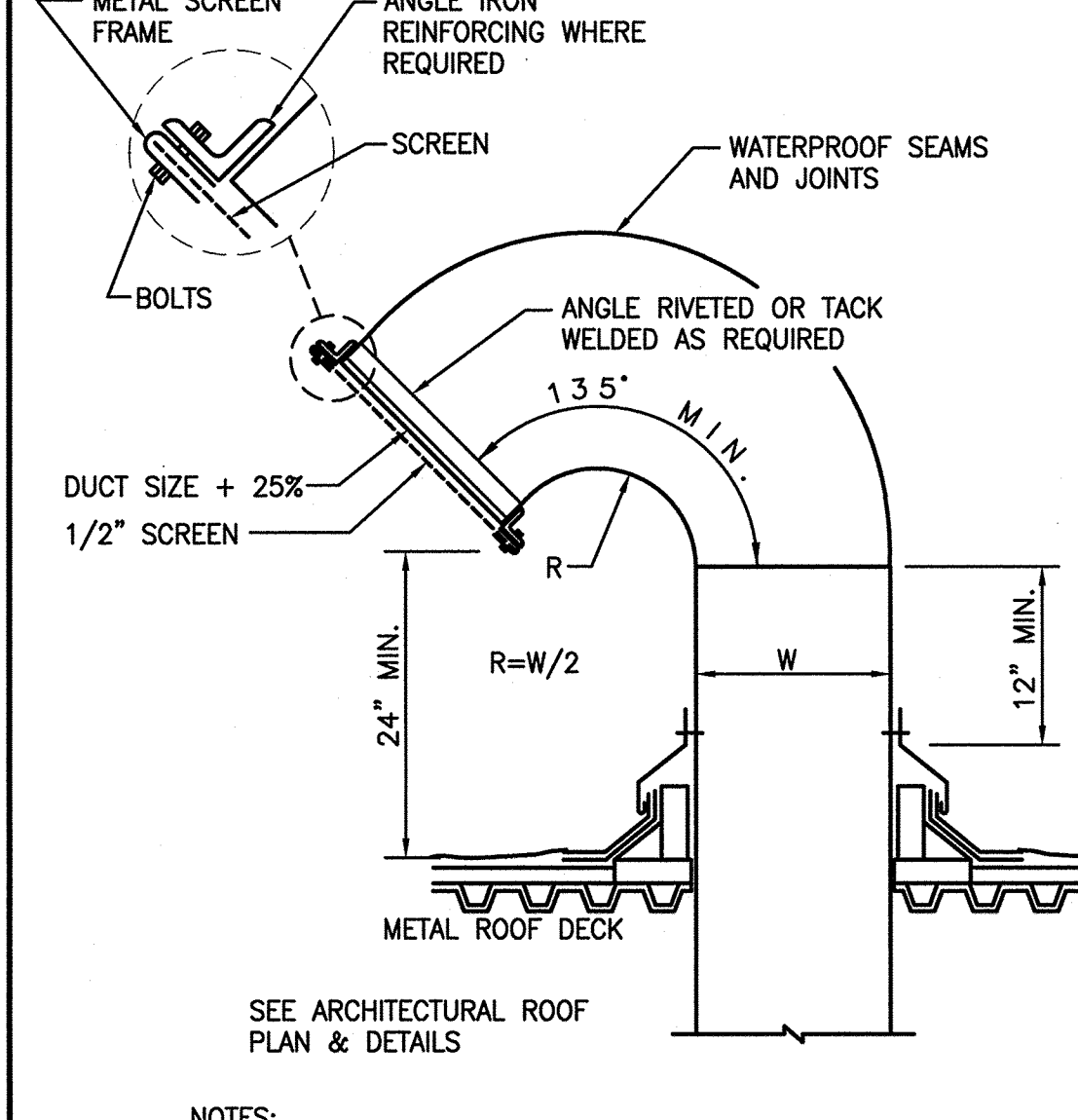
F5 REFRIGERANT PIPING SCHEMATIC

NOT TO SCALE



F10 AIR HANDLING UNIT DETAIL (AHU-1)

NOT TO SCALE

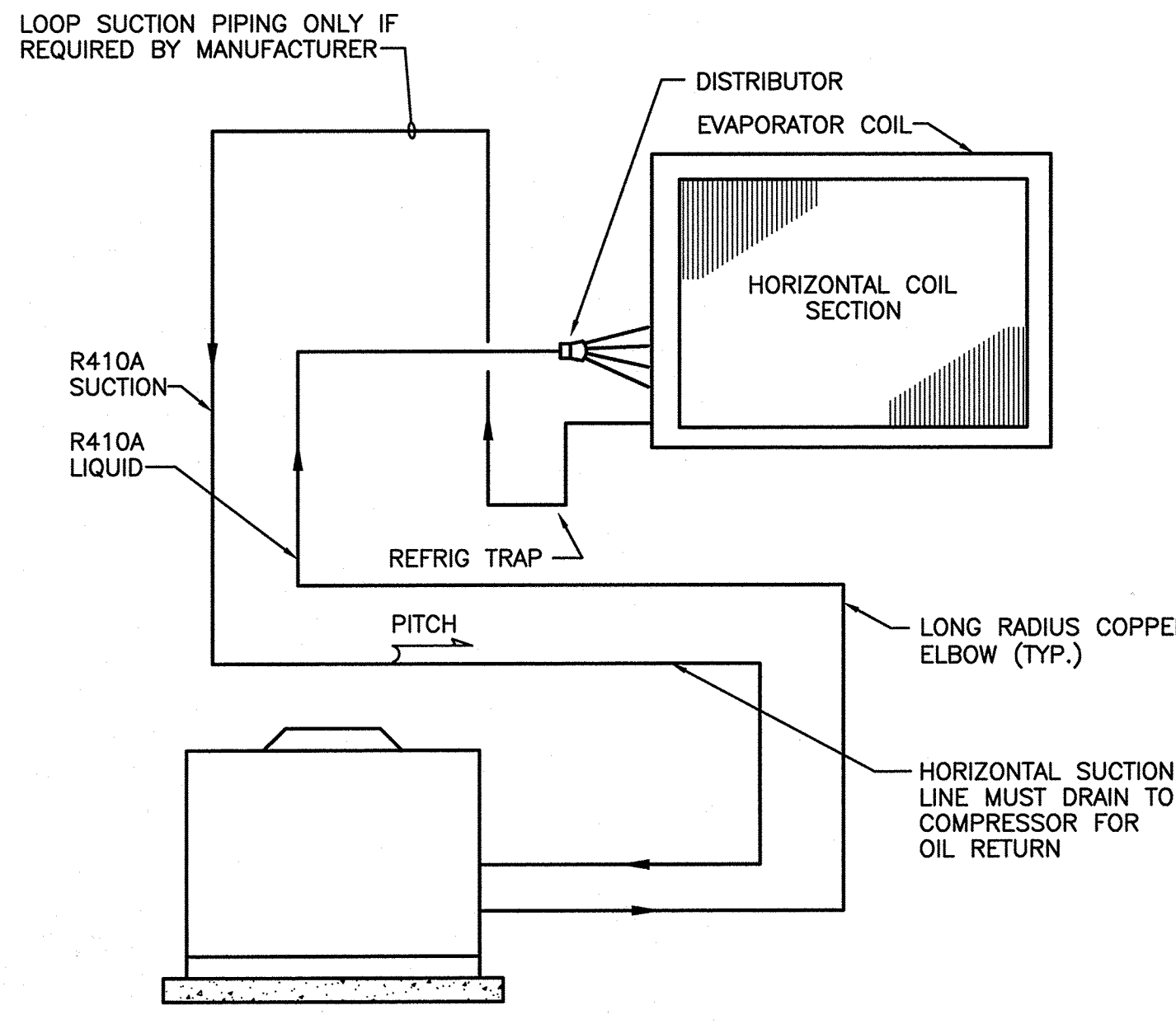


F14 GOOSENECK EXHAUST DETAIL

NOT TO SCALE

F1 LOW PRESSURE DUCT ELBOWS - TYPICAL

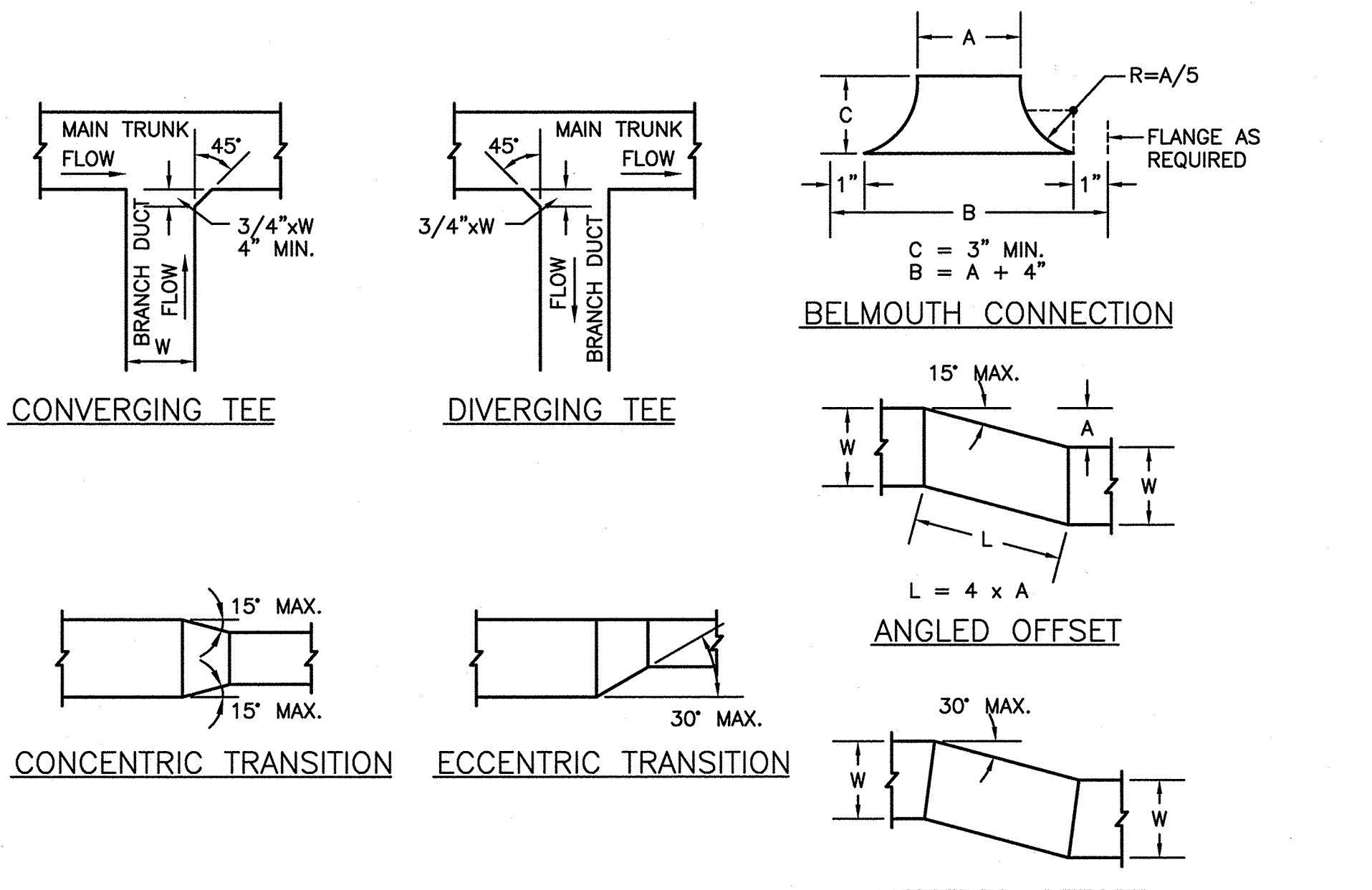
NOT TO SCALE



NOTES:
1. REFRIGERANT PIPING SIZES SHOWN ON PLANS ARE BASED ON R-410A.
2. REFRIGERANT PIPING SHALL BE COPPER TYPE ACR WITH BRAZED COPPER JOINTS AND WROUGHT FITTINGS AND SHALL BE PRESSURE RATED FOR 200 PSI.
3. PROVIDE & INSTALL ALL REFRIGERANT PIPING & VALVES NOT PROVIDED BY EQUIPMENT MANUFACTURER. THE REFRIGERANT SYSTEM SHALL BE COMPLETE & OPERATIONAL WITH ALL COMPONENTS INSTALLED AS PER MANUFACTURERS PUBLISHED INSTRUCTIONS.
4. INSULATE EXTERIOR REFRIGERANT LINES W/ ARMSTRONG ARMAFLEX 22 (OR APPROVED EQUAL) AND 2 COATS OF ARMAFLEX FINISH.
5. THIS CONTRACTOR SHALL BE RESPONSIBLE FOR ALL INTERLOCKING AND WIRING OF CONTROLS BETWEEN OUTDOOR UNIT & INDOOR UNIT & THERMOSTAT WIRING. THE WIRING SHALL BE COMPLETE TO PROVIDE A FULLY OPERATIONAL SYSTEM. SEE ELECTRICAL DWG'S FOR POWER FEEDS TO EQUIPMENT & DISCONNECT SWITCHES.
6. CONTRACTOR TO INSTALL A SPORLAN ELECTRONIC HOT GAS BYPASS VALVE ON EACH CIRCUIT. VALVE TO BE FURNISHED BY THE CONDENSING UNIT MANUFACTURER.

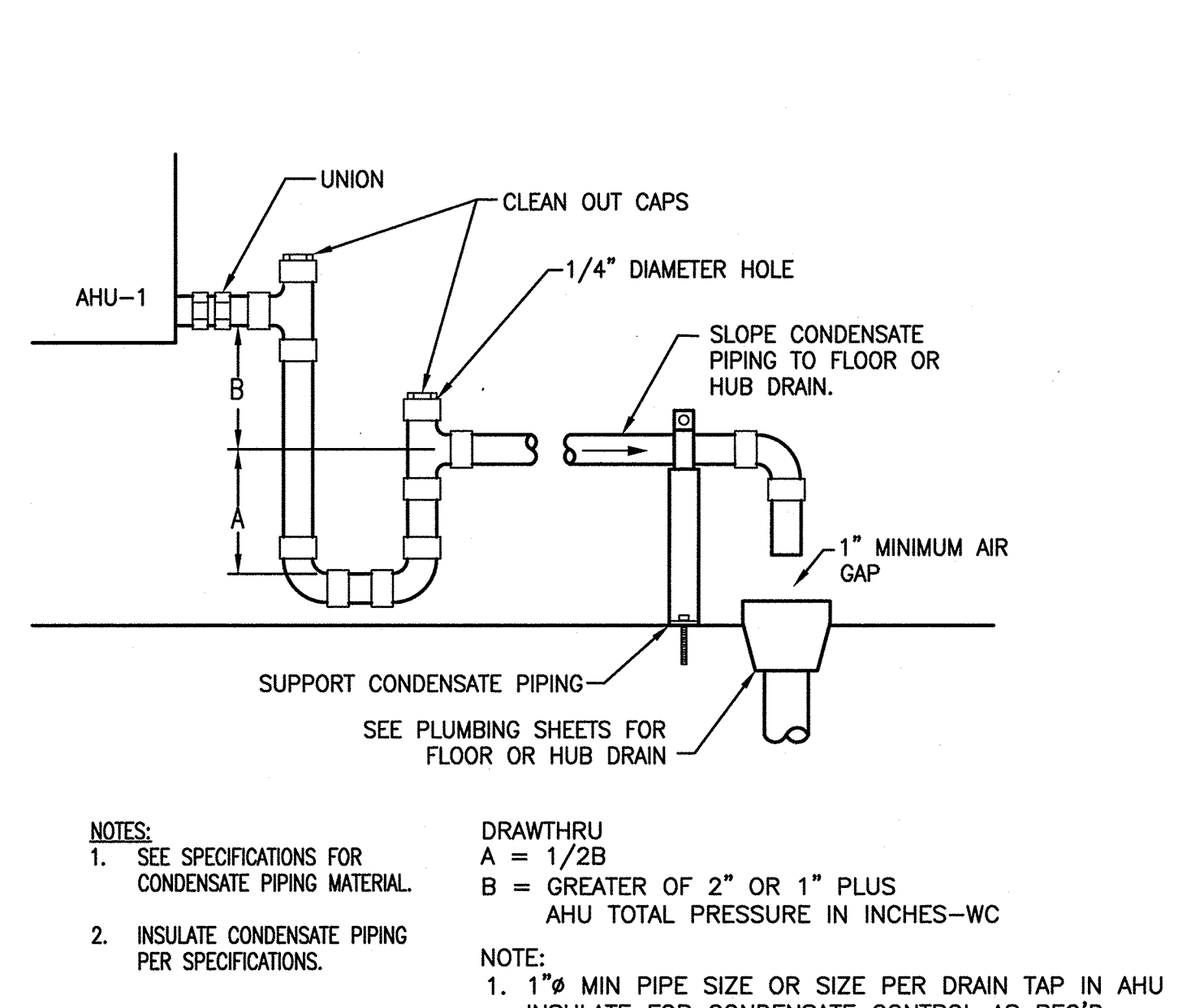
A1 REFRIGERANT PIPING

FOR REFRIGERATION SPECIALTIES SEE DETAIL F5/M501



A8 DUCT TRANSITIONS

NOT TO SCALE



A13 AHU CONDENSATE DRAIN DETAIL

NOT TO SCALE

Hodess Construction Corp
100 John L. Diebel Sq.
No. Attleboro, MA 02783
508-886-1100 (P) 508-886-3101 (F)

HC
HODESS
CONSTRUCTION CORP

ARCHITECTURE
ENGINEERING
PLANNING
INTERIOR DESIGN
COMMISSIONING

tel. (207) 772-3846
fax. (207) 772-1070
www.amrinc.com

SMART
144 Fore Street
P.O. Box 618
Portland, Maine 04104

STATE OF MAINE
RONNIE M. WILLEY
NO. 11029
LICENSED PROFESSIONAL ENGINEER

IMMUCELL CORPORATION
CLEANROOM RENOVATION
PORTLAND, ME

ISSUED FOR PERMIT
1-9-14

CURRENT ISSUE STATUS:

REV	DESCRIPTION	DATE
0		1-9-14

GRAPHIC SCALE:
0" = 1"

SCALE: NONE
PROJECT MANAGER: RAB
JC/DRAWN BY: BAL
A/E OF RECORD: RMW
CAD FILE: 13157-M-501
PROJECT NO: 13157
DATE: 1-9-14
SHEET TITLE: HVAC DETAILS

SHEET No.
M-501
© COPYRIGHT 2013 SMRT INC.