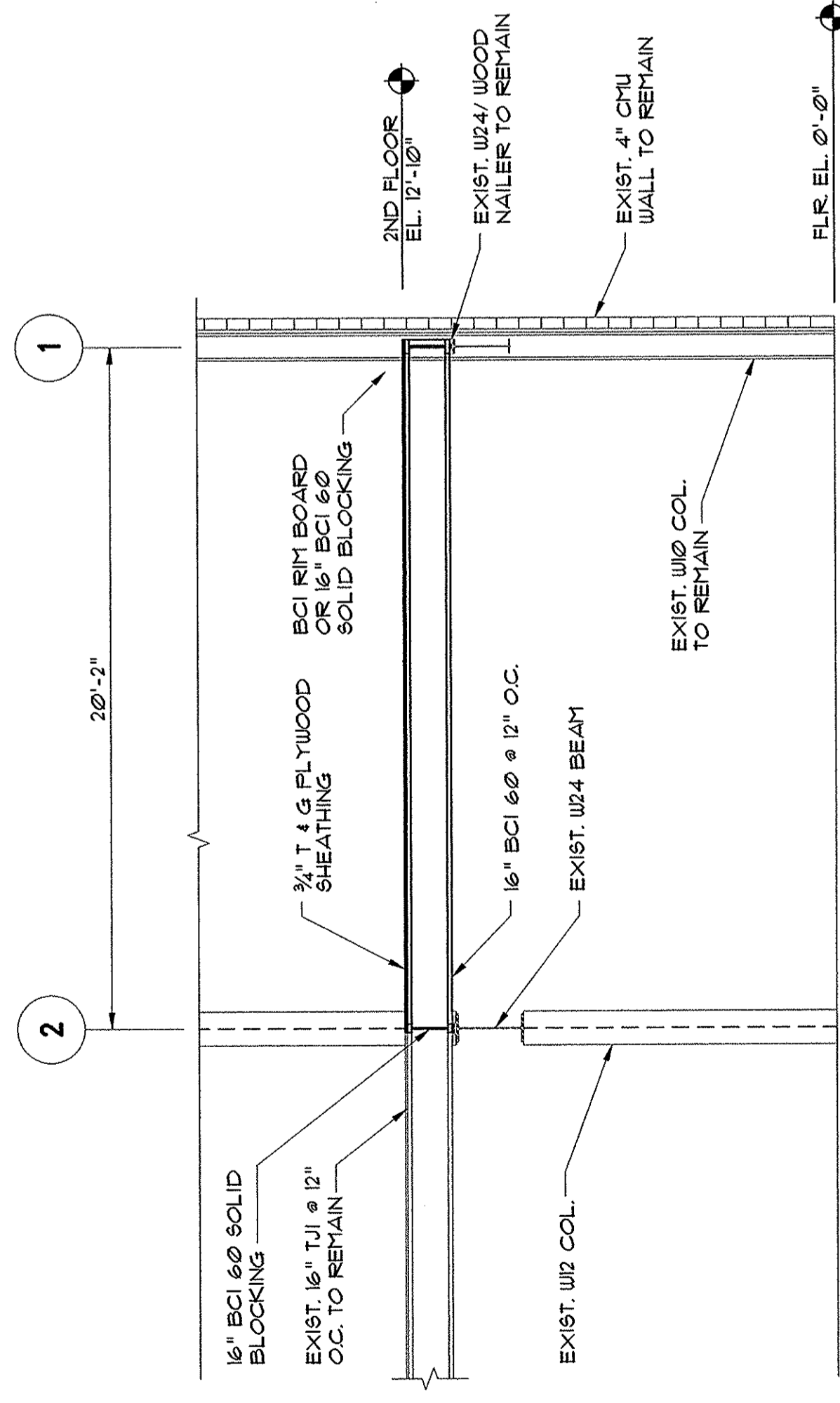
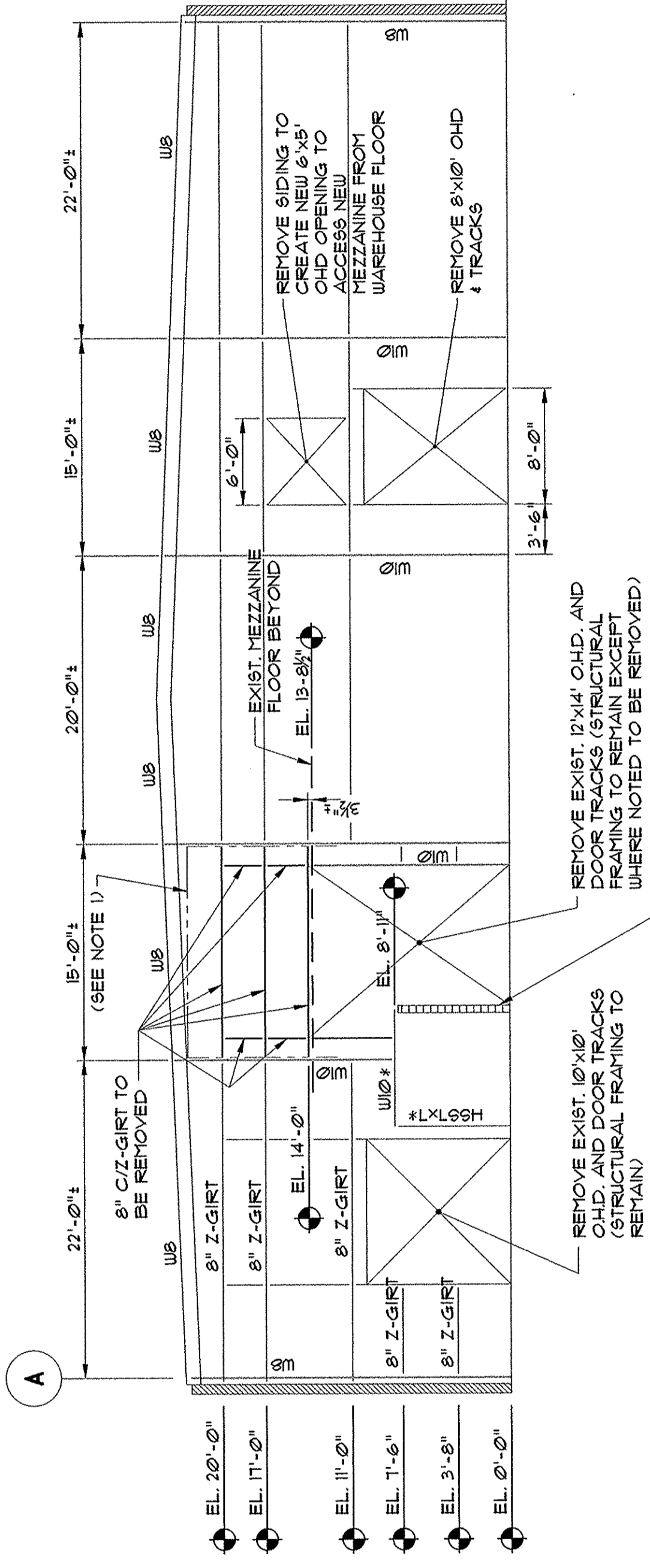


SECTION 1
1/4"=1'-0"

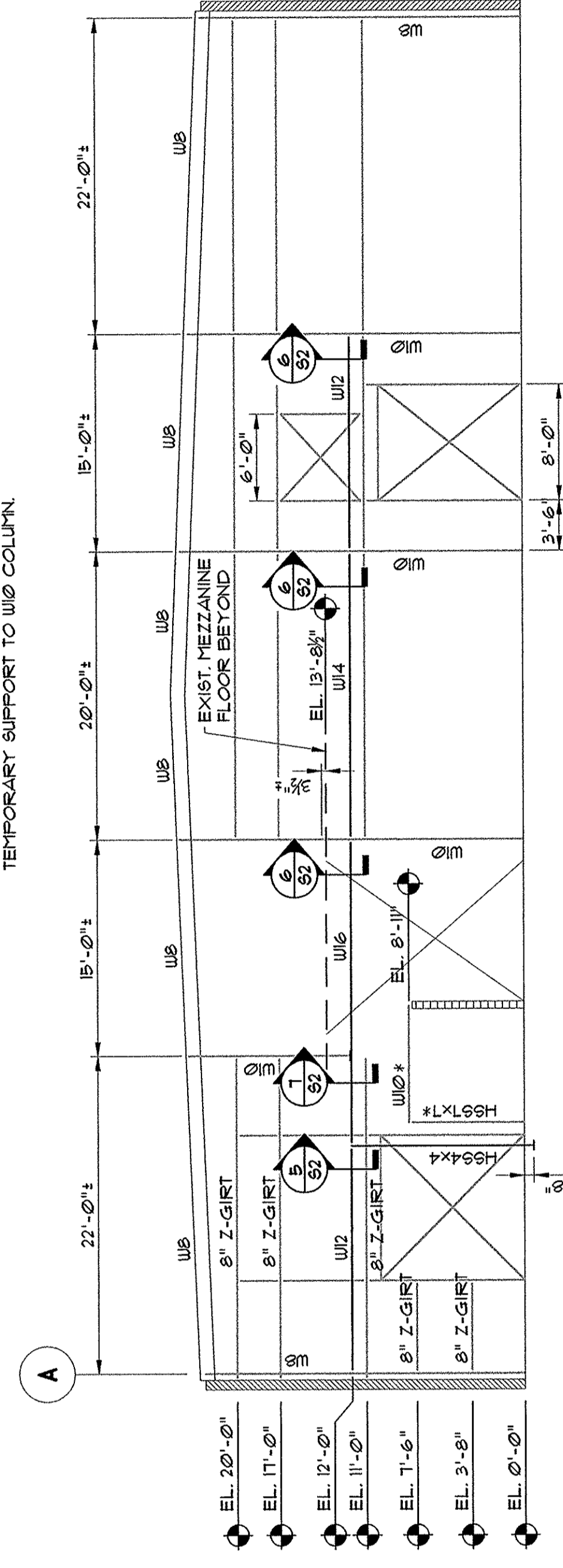


SECTION 2
1/4"=1'-0"

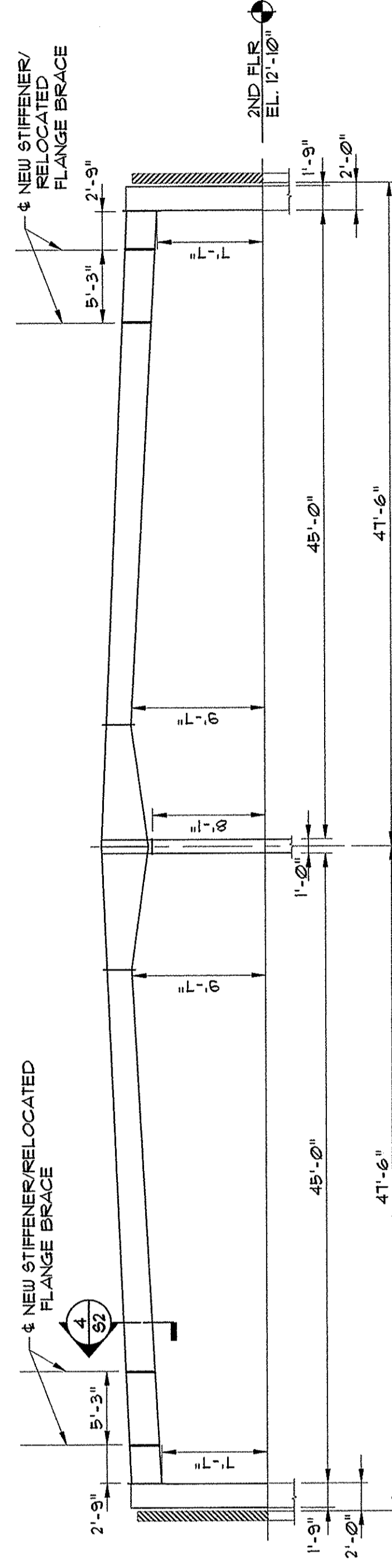


DEMOLITION ELEVATION @ COLUMN LINE 6
1/8"=1'-0"

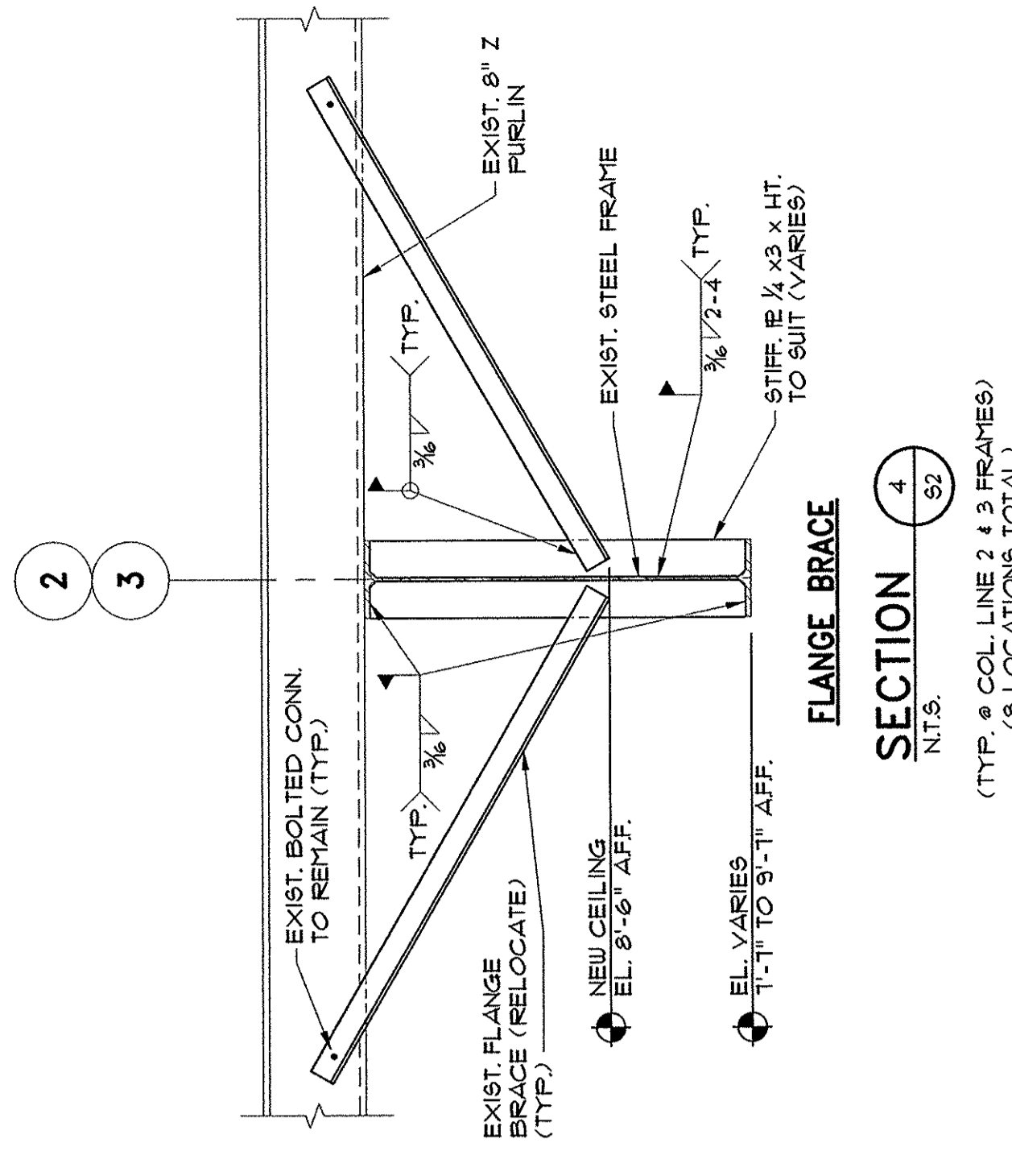
- NOTES:
1. REMOVE EXIST. SIDING/INSULATION IN THIS BAY TO UNDERSIDE OF UB TO CONNECT NEW MEZZANINE WITH EXIST. MEZZANINE.
 2. * * * * * BE INSTALLED TO SUPPORT NEW MEZZANINE. PROVIDE TEMPORARY SUPPORT TO WUB COLUMN.



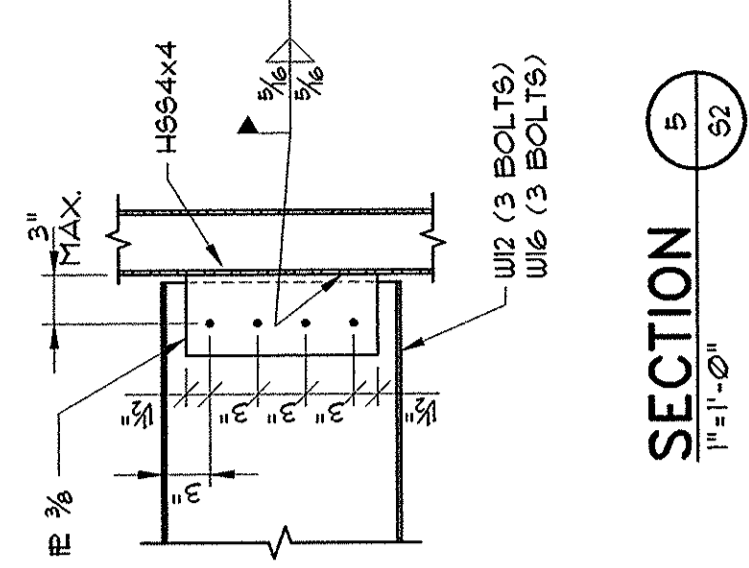
REVISED FRAMING ELEVATION @ COLUMN LINE 6
1/8"=1'-0"



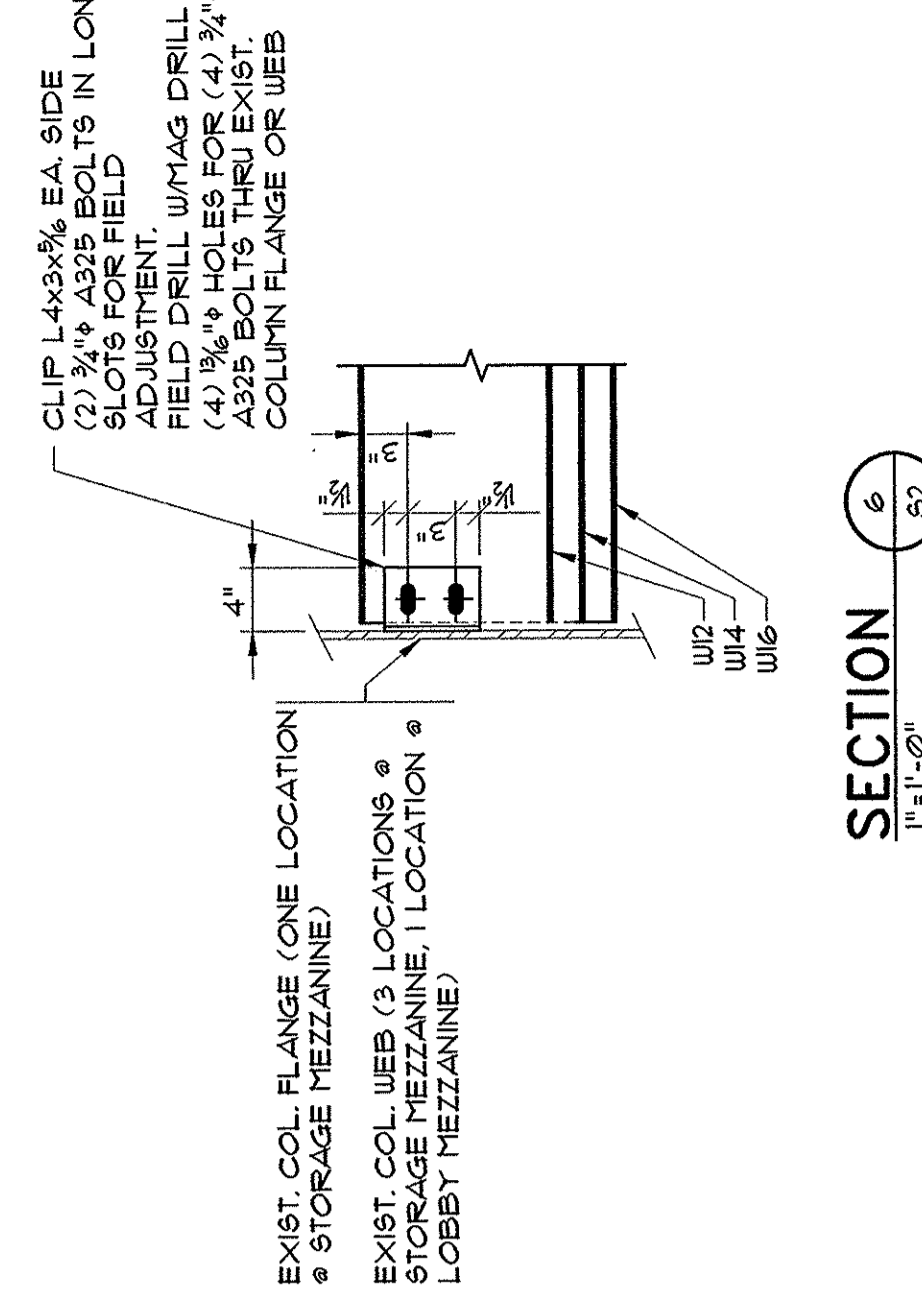
FRAMING ELEVATION @ COLUMN LINE 2 & 3
1/8"=1'-0"



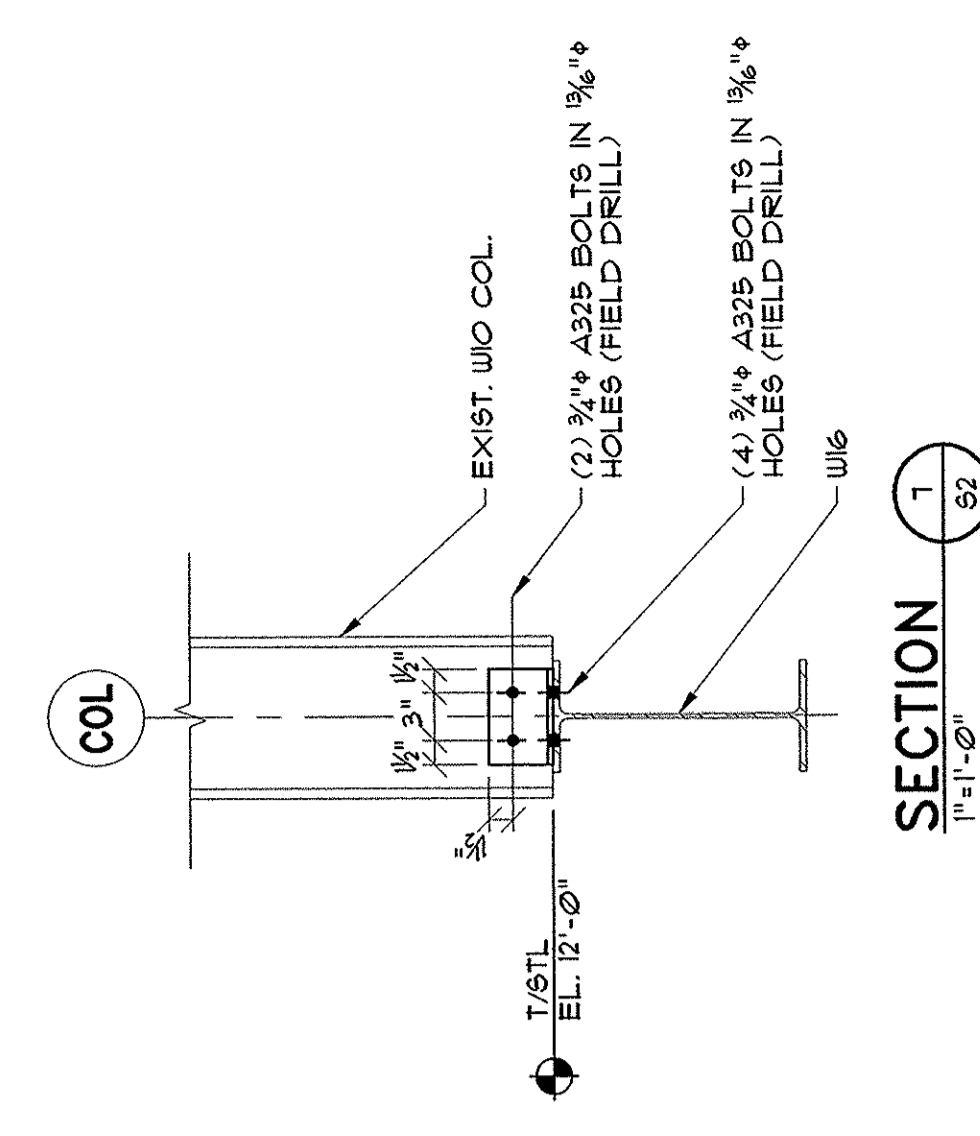
SECTION 4
1"=1'-0"



SECTION 5
1"=1'-0"



SECTION 6
1"=1'-0"



SECTION 7
1"=1'-0"

REV.	DATE	DESCRIPTION
A	11/30/06	ISSUE FOR PERMITS

IMMUELL CORPORATION
PORTLAND, MAINE

PINKHAM & GREER
CONSULTING ENGINEERS
PORTLAND, MAINE

OFFICE RENOVATIONS
ELEVATIONS, SECTIONS & DETAILS

SCALE: AS SHOWN
DATE: SEPTEMBER 2006
PROJECT: 06326

DRN BY: RUS
DESG BY: JAM
CHK BY:

06/11/2006

S2