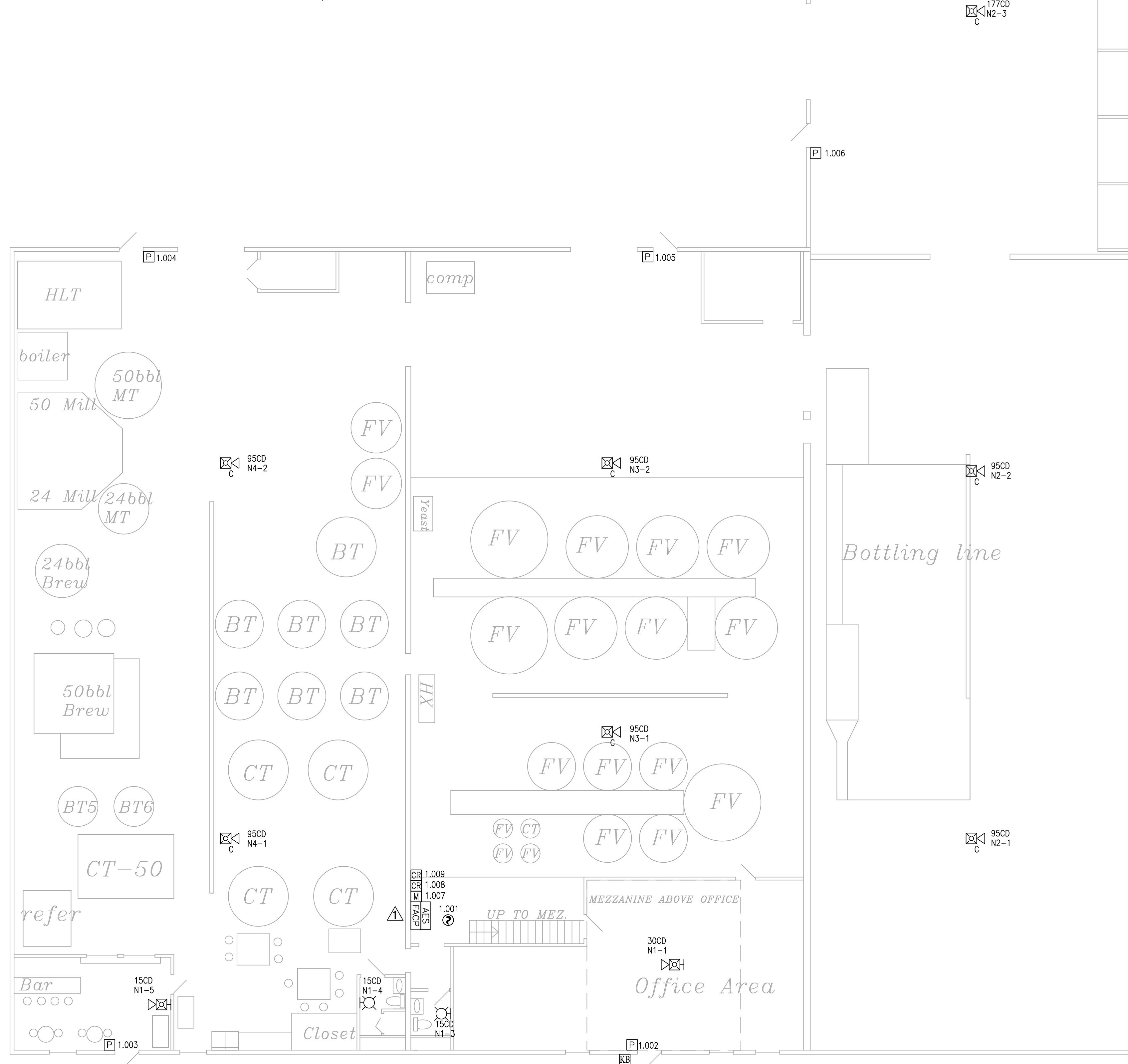
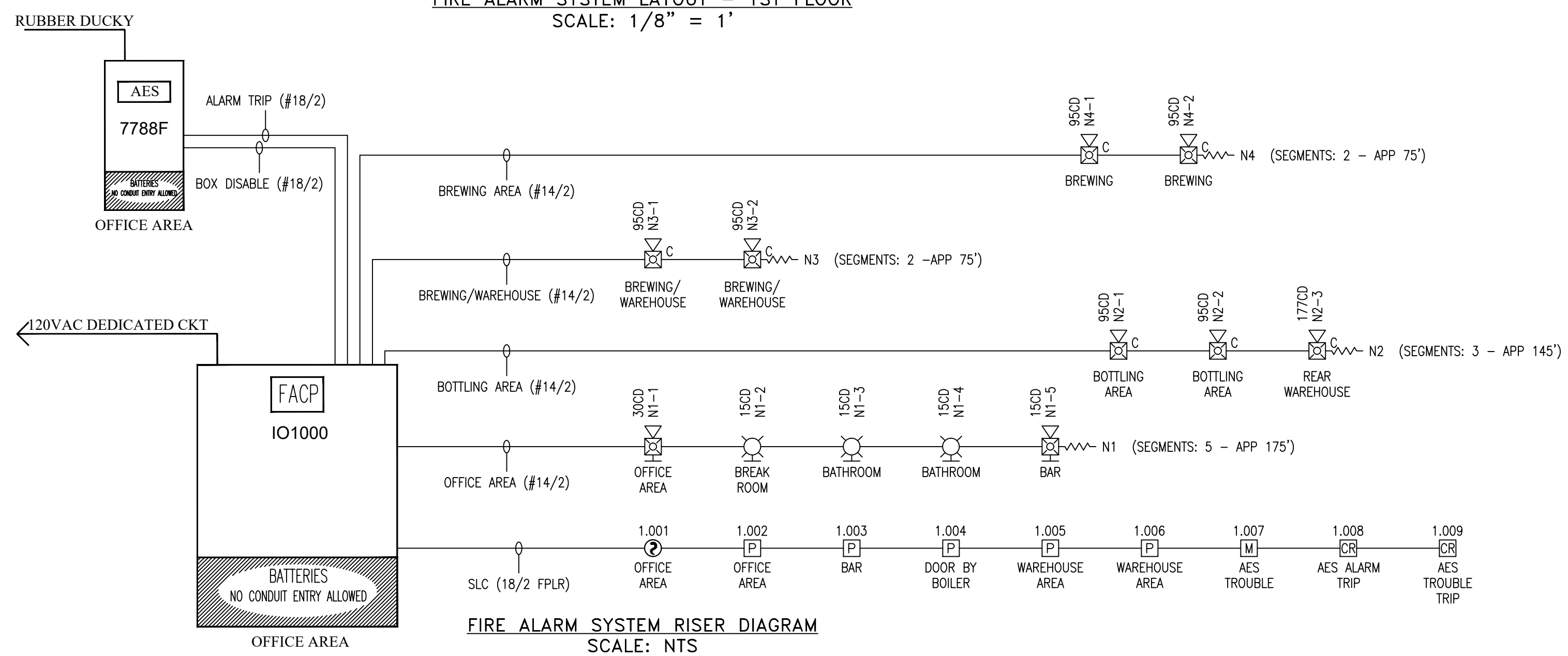


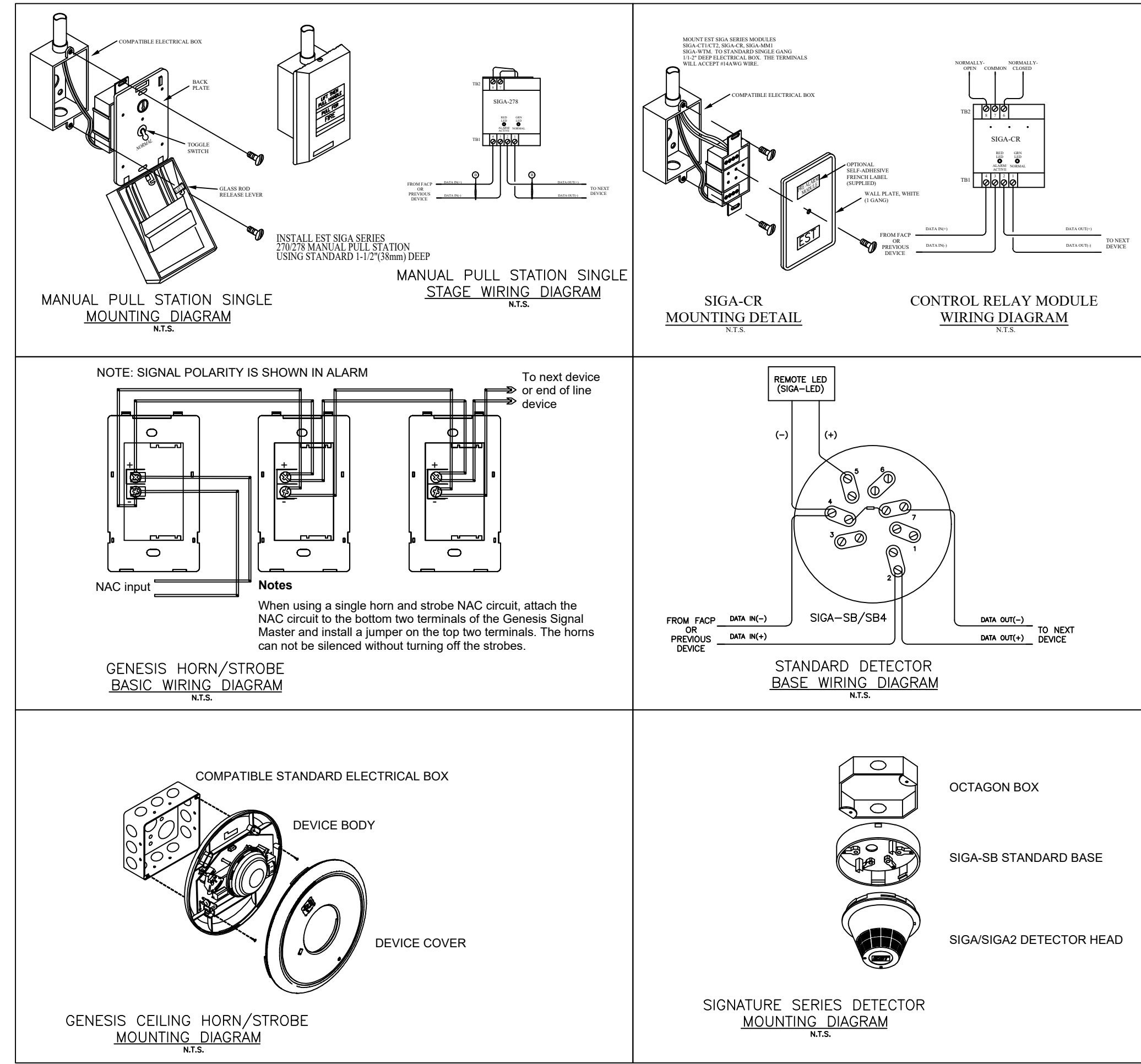
FIRE ALARM SYSTEM LAYOUT - 2ND FLOOR
SCALE: 1/8" = 1'



FIRE ALARM SYSTEM LAYOUT - 1ST FLOOR
SCALE: 1/8" = 1'

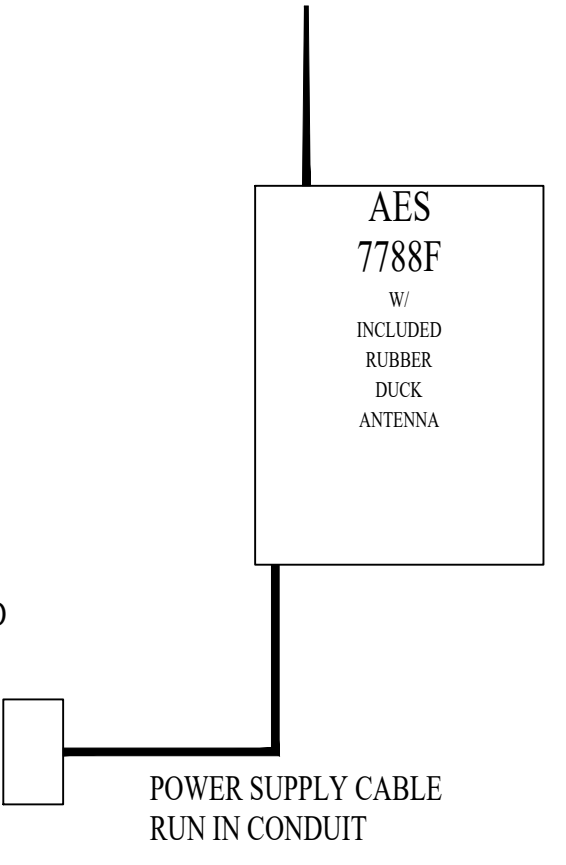


FIRE ALARM SYSTEM RISER DIAGRAM
SCALE: NTS

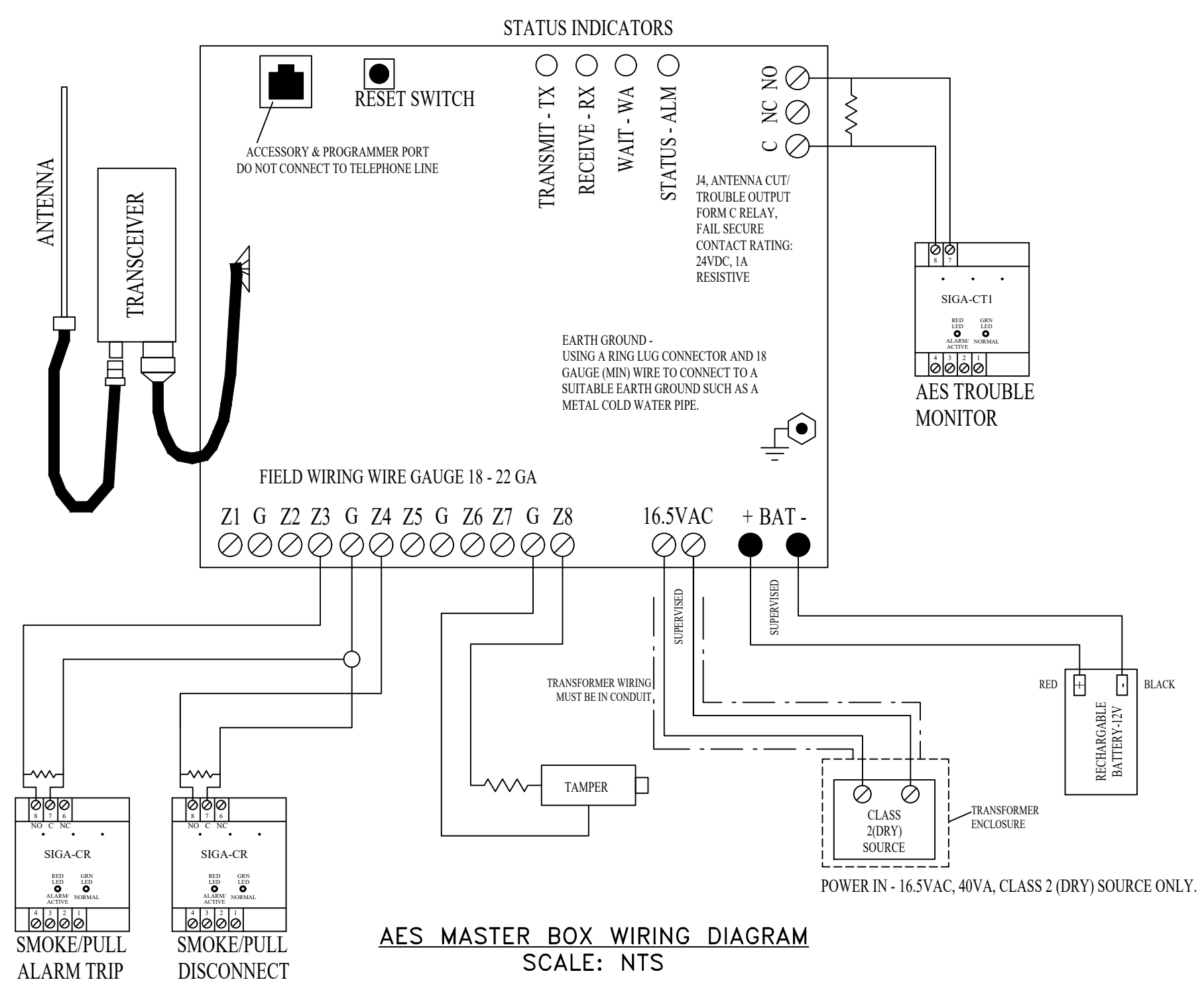


FIRE ALARM DEVICE DETAIL
SCALE: NTS

SYMBOL LEGEND			
ITEM NO.	SYMBOL	QTY. TOTAL	DESCRIPTION
1	○	1	STANDARD BASE (SIGA-SB) - OCTAGON BOX
2	□	5	PULL STATION (SIGA-278) - SINGLE GANG BOX
3	⊙	1	SMOKE DETECTOR (SIGA-PD) - MOUNTS IN SIGA-SB
1	⊞	2	CONTROL RELAY (SIGA-CR) - MOUNTS ON SIGA-MP1
2	M	1	MONITOR MODULE (SIGA-CT1) - MOUNTS ON SIGA-MP1
5	⊞	2	CEILING HORN/STROBE (GC-HDWH) - 4" SQUARE BOX
6	⊞	7	HORN/STROBE (EG1RF-HDVM) - SINGLE GANG BOX
7	⊞	3	STROBE (EG1F-VM) - SINGLE GANG BOX
8	FACP	1	FIRE ALARM CONTROL PANEL (IO1000)
9	⊞	1	KNOX BOX 3200 SERIES
4	AES	1	AES RADIO CITY BOX (7788F)



AES CITY BOX DIAGRAM
SCALE: NTS



AES MASTER BOX WIRING DIAGRAM
SCALE: NTS

GENERAL NOTES:

- INSTALLATION SHALL COMPLY WITH NFPA 72 AND THE NATIONAL ELECTRIC CODE.
- CIRCUIT BREAKER LOCK SHALL BE INSTALLED ON DEDICATED CIRCUIT. CIRCUIT SHALL BE MARKED IN RED, AS FIRE ALARM.
- ALL CIRCUITS SHALL BE CHECKED FOR FAULT (GROUND, OPEN, SHORT) PRIOR TO CONNECTING TO FACP.
- AES RADIO TO BE SET UP AS A CITY BOX, ON THE PORTLAND MAINE FREQUENCY.
- BUILDING OWNER TO PROVIDE PROPER ENVIRONMENTAL CONDITIONS TO ENSURE PROPER OPERATION OF ADDRESSABLE FIRE ALARM DEVICES.

KEYED NOTES:

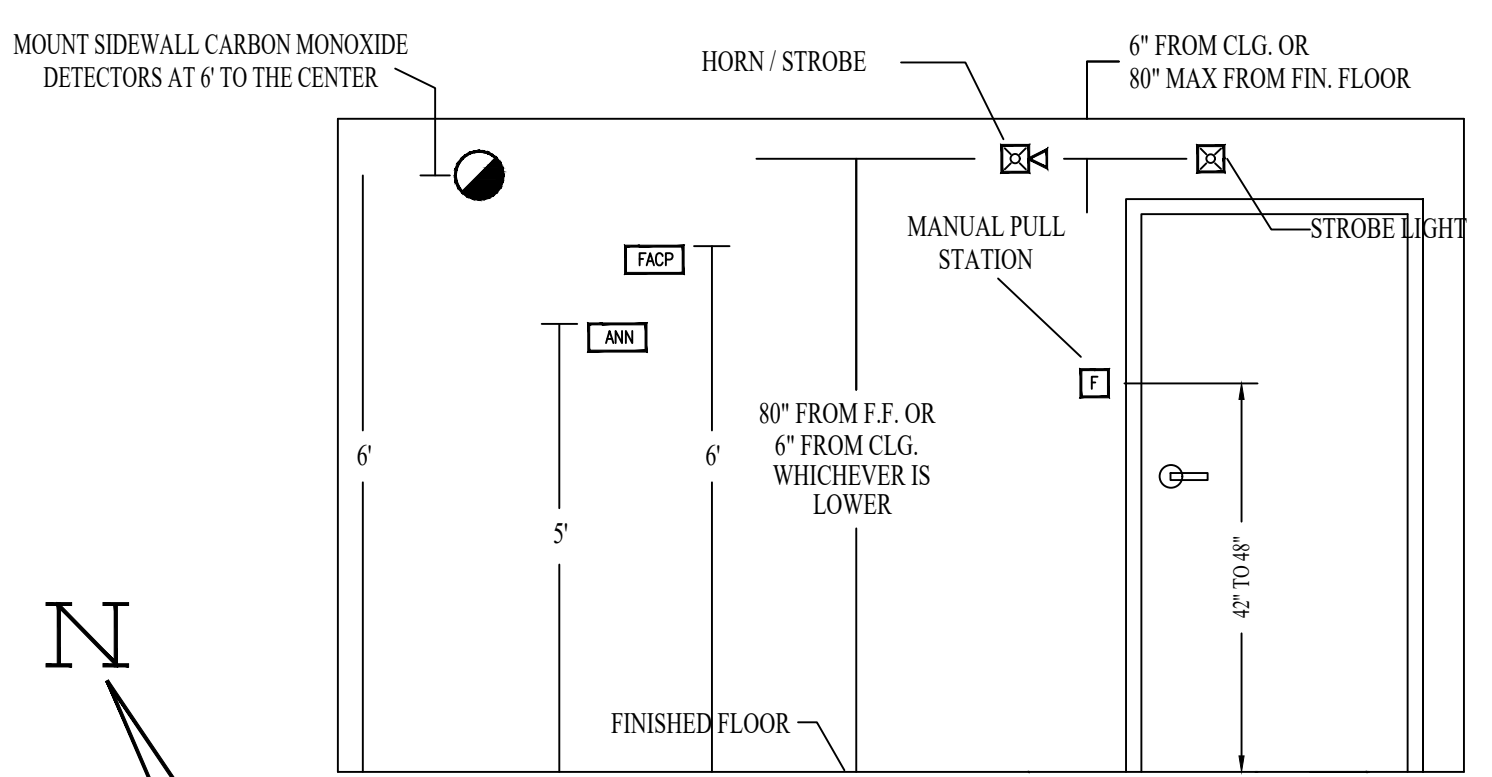
- SIGA-CT1 AND SIGA-CR ARE ALL MOUNTING INSIDE FACP ON SIGA-MP1. SIGA-MP1 MOUNTS ONTO BACK PLANE INSIDE IO1000 FACP.

FACP BATTERY CALCULATIONS

STANDBY	0.17375A x 24 HOURS =	4.1700 AH
ALARM	4.7027A x 0.83 HOURS =	+ 3.919 AH
		4.5619 AH
DERATING FACTOR x 125%		5.7024 AH
BATTERY REQUIRED		7 AH

FIRE ALARM SYSTEM I/O MATRIX

	A	B	C	D	E	G	H
1 MANUAL PULL STATION	X						
2 SMOKE DETECTOR	X		X	X	X	X	1
3 SPRINKLER WATER FLOW SWITCH	X		X	X	X	X	2
4 SPRINKLER TAMPER SWITCH	X		X	X	X	X	3
5 OPEN CIRCUIT	X		X	X	X	X	4
6 SHORT CIRCUIT	X		X	X	X	X	5
7 GROUND FAULT	X		X	X	X	X	6
8 LOSS OF AC POWER	X		X	X	X	X	7
9 POWER SUPPLY TROUBLE	X		X	X	X	X	8
10 AES TROUBLE	X		X	X	X	X	9



DEVICE ELEVATION DETAIL
SCALE: 1/4" = 1'

DATE	REVISIONS	REQUIRED APPROVALS	D.L. GEARY BREWING COMPANY	FIRE ALARM SYSTEM
		OWNER / ARCHITECT	38 EVERGREEN DR, PORTLAND, ME 04103	PLANS & DETAILS
		STATE FIRE MARSHAL		DWG. NO. FA-1
		LOCAL FIRE MARSHAL		JOB NUMBER
		OWNER'S INSURANCE CO.		SCALE AS NOTED
		DRAWN BY CTB		DATE 4/20/2017
		CHECKED BY CRM		
		CONTRACTOR LICENSE #		

EASTERN FIRE
FIRE PROTECTION CONTRACTORS AND ENGINEERS
176 KATHAMARK AVE. SHELLEYS OFFICE
P.O. BOX 1280 480 HORTON ST.
AUBURN, ME 04210-1280 HANOVER, ME 04101
207-784-1007 207-942-8014