



Permitting and Inspections Department
 Michael A. Russell, MS, Director

Signage /Awning Permit Application and Checklist

(For the purposes of this application, an awning shall be considered to be a lightweight metal frame structure over which a fabric covering is attached.)

Applications shall be submitted online via the Citizen Self Service portal. Refer to the attached documents for complete instructions. The following items shall be submitted (please check and submit all items):

- Signage/Awning Permit Application form
- Certificate of Liability listing the City as an additional insured if any portion of the sign abuts or encroaches on any public right of way, or can fall into any public right of way.
- A copy of the signed lease or letter of permission from the property owner indicating the specific permissions granted and the tenant/space building frontage.
- A plan showing the specific locations of all existing and proposed signs:
 - For freestanding signs: the plan shall depict lot lines, buildings, driveways, abutting streets or rights of way, lengths of street frontages, and setbacks from freestanding signs to the nearest lot line.
 - For all other signs and awnings: the plan shall depict buildings, driveways, abutting streets or rights of way, and building façade dimensions. Photos or other documentation similar to a drawn plan are acceptable, provided that all required information is included.
- A drawing or photo of the proposed sign showing content, all dimensions, materials, source of illumination, details of anchoring and installation (e.g., attachment specifications, footing details for freestanding signs, etc.).
- Certificate of flammability is required for awnings or banners.
- A UL Classification Mark, found on the product, is required for illuminated signs at the time of final inspection.
- Photos of existing signage.

NIA

The Permitting and Inspections Department may request additional information prior to the issuance of a permit.



Josh Roberts <jroberts@definitivebrewing.com>

Awnings --> Proposal & Drawings

Michael Rankin <mraink@definitivebrewing.com>
To: Josh Roberts <jroberts@definitivebrewing.com>

Sun, Apr 22, 2018 at 6:13 PM

----- Forwarded message -----

From: KSPENARD <kspenard@maine.rr.com>
Date: Tue, Apr 10, 2018 at 6:54 PM
Subject: Re: Awnings --> Proposal & Drawings
To: Michael Rankin <mraink@definitivebrewing.com>

Mike

I'm fine with the new awnings. What would the cost be to put one over the 3 ft see de door of the brewery building?

Sincerely
Kenneth G Spenard

On Apr 10, 2018, at 5:50 PM, Michael Rankin <mraink@definitivebrewing.com> wrote:

Hi Ken,

For your approval, New metal awnings over existing door and new door.

Thanks,
Mike

----- Forwarded message

Hi,

Here is the proposed drawings from Jason. Please note that his software only shows fabric so he provided a pic of the metal. It will be black not green.

Thanks,
Mike

--
Michael Rankin
Founder/Chief Executive Officer



Reviewed for Code Compliance
Permitting and Inspections
Department
Application # 17-00118
05/17/2018

Definitive Brewing Company
35 Industrial Way
Portland, ME 04103
(207) 446-4746 | cell
definitivebrewing.com

Sent from my iPhone, please excuse any typos.

<master rib metal roofing.jpg>

<Definitive brewing tasting room-rendering.jpg>

<definitive brewing main entrance-rendering.jpg>

--

Michael Rankin
Founder/Chief Executive Officer
Definitive Brewing Company
35 Industrial Way
Portland, ME 04103
(207) 446-4746 | cell
definitivebrewing.com

Sent from my iPhone, please excuse any typos.

Existing Sign - Freestanding

20' From Driveway

12' From Industrial Way

240' street Frontage

40' from NEAREST lot line (1 Industrial)

NOTE: we will keep sign as is, but REPLACE "Coming Late Spring 2018" with "now OPEN" on both sides. This is intended to be temporary sign.



Reviewed for Code Compliance
Permitting and Inspections
Department
Approved 05/11/2018





35 INDUSTRIAL WAY



Proposed Sign - Awning (Replace Existing)

Content - N/A; black awning

Dimensions - 4' x 9'6" x 4'

Materials - open ended shed roof style awning with metal corrugated roof.

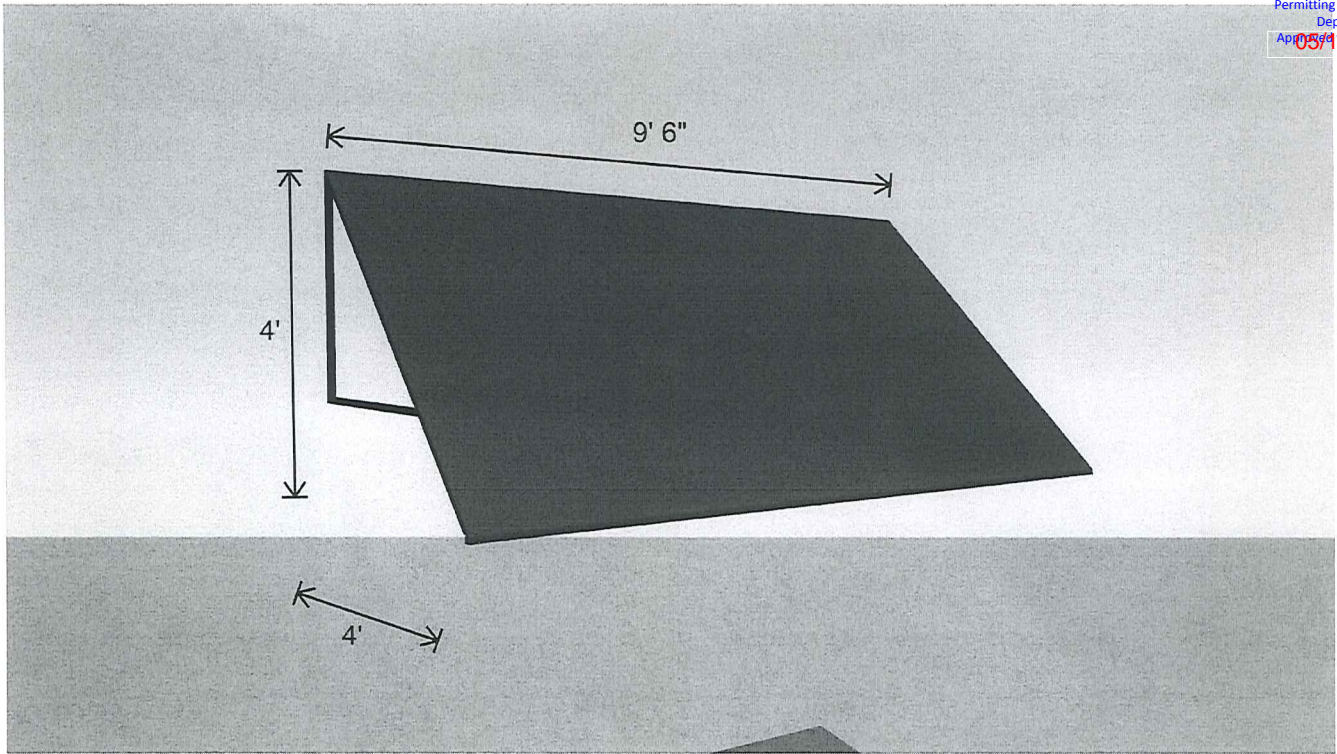
Frame → 1" square galvanized steel tubing, welded construction, painted black.
Metal Roof → Master Rib Metal Roofing panels in black will be installed onto top of framework with self-tapping screws.

See next two pages for new awning dimensions and roof material



Reviewed for Code Compliance
Permitting and Inspections
Department
Application # 172018

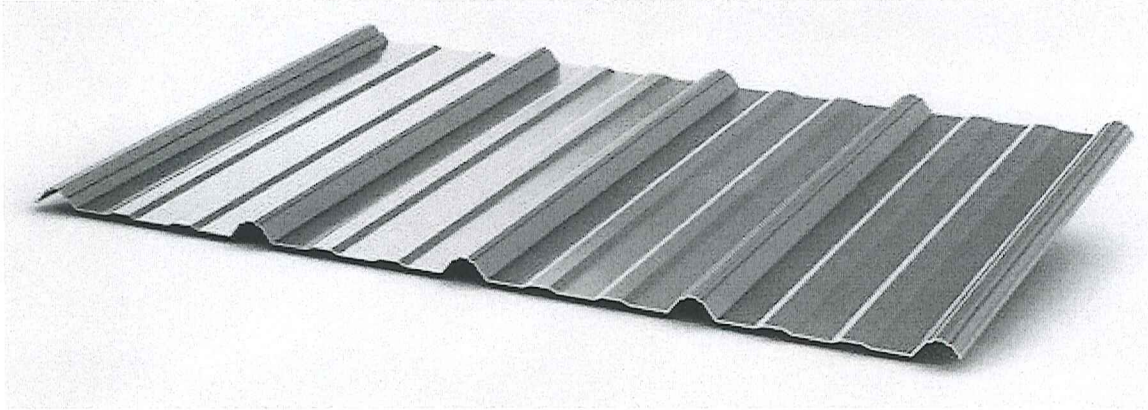
AWNING DIMENSIONS





Reviewed for Code Compliance
Permitting and Inspections
Department
April 17, 2018

AWNING ROOF MATERIAL - BLACK





NEW ENTRANCE - PROPOSED AWNING

Content - N/A ; Black Awning

Dimensions - 4' x 6' x 4'

Materials - open ended roof style Awning with metal corrugated roof.

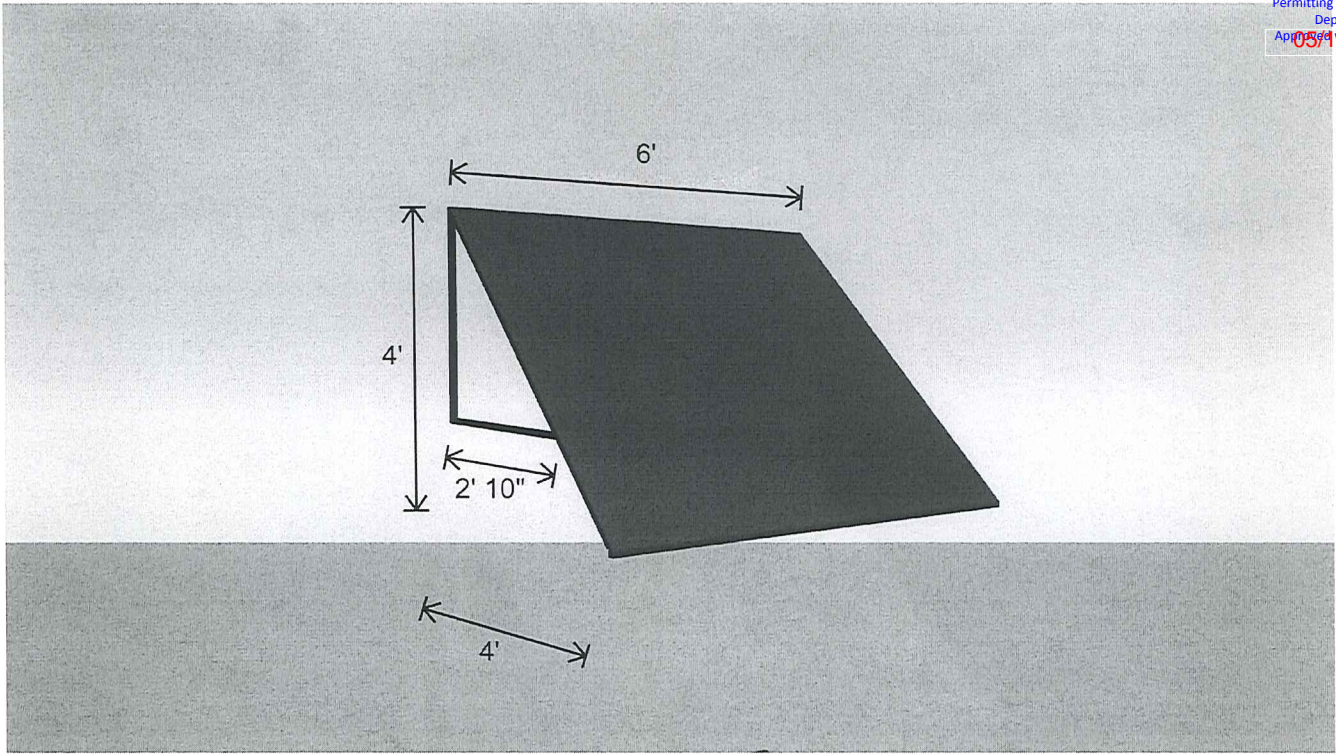
Frame → 1" square galvanized steel tubing, welded construction, painted black

Metal roof → Master rib metal roofing panels in black to be installed onto top of framework with self-tapping screws.

SEE NEXT two pages for new Awning dimensions and roof material.



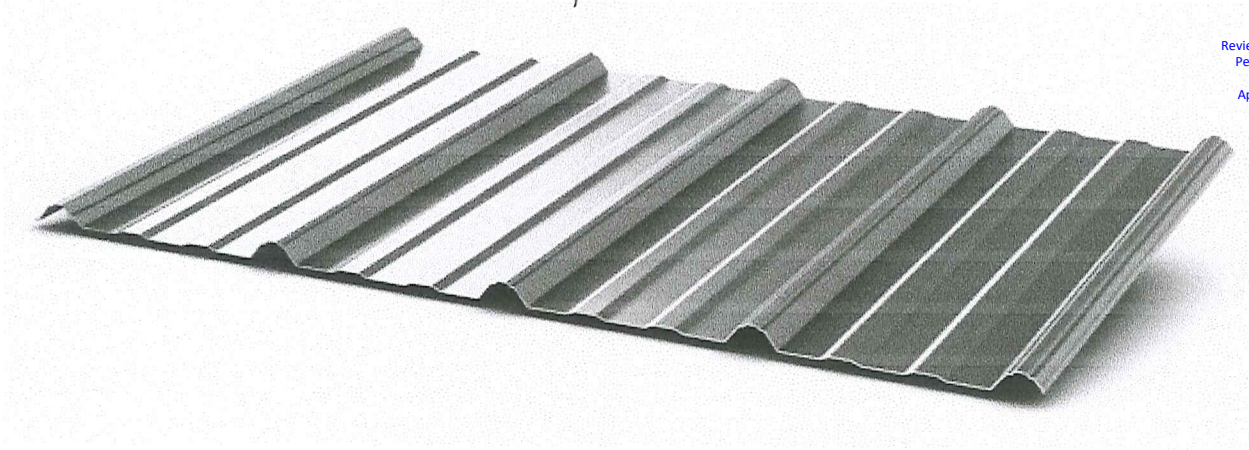
Awning Dimensions



awning roof material - black



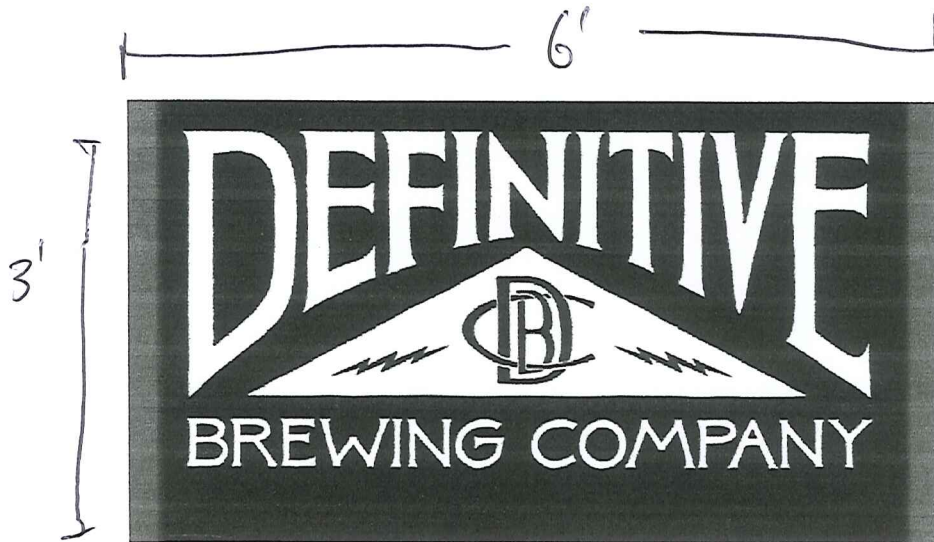
Reviewed for Code Compliance
Permitting and Inspections
Department
April 11, 2018



Banner to be installed over new Entrance awning



Reviewed for Code Compliance
Permitting and Inspections
Department
April 17, 2018



Banner to be installed over new entrance awning

Dimensions: 3' x 6' x 12 mil

Material: B1 & M1 Certified Fire Retardant Banner

Content: Full Logo, see above.

Details of anchoring: Concrete anchor bolts

See next page for additional banner material specs.



POS Media

Expo™ Fire Retardant Banner - 12 mil ■ matte 3502



B1 & M1 Certified

PRODUCT DESCRIPTION

3502 Expo Banner™ is a 12 mil, flame retardant (B1 & M1 certified) ultra durable, water-resistant banner. The M1 certification is the best in class certification for fl spread and a common requirement for tradeshow and other installations. 3502 has a bright white, outdoor durable coating and a flexible, tear resistant base, making it ideal for applications ranging from rollup displays to outdoor banners.

Advantages

- B1 & M1 Fire Certified
- Water, Scratch, Tear Resistant
- Short Term Outdoor Durable
- Woven Polyester Fabric

Applications

- Indoor/Outdoor Banners, Textile Printing with Aqueous Printers
- Fire Retardant Roll-Ups & Décor. Concerts, Trade Shows, Banks, Hospitals.

Physical Properties

Caliper	12 mil
Basis Weight	340 g/m ²
Opacity	>93%
Whiteness	114
*All values listed are target values	

List of printers

Aq

Printer	Ink
Hewlett Packard DJ Z 2100, 3100, 6100	Vivera Pigment
Hewlett Packard DJ 5000 / 5500 /	Dye / UV
Epson Pro 4000, 7600, 9600, 10600	Ultra Chrome
Epson Pro 4800, 7800, 9800	K3
Epson Stylus Pro 4880, 7880, 9880, 11880	K3 Vivid Magenta
Canon iPF 5000, 8000, 9000	Lucia Pigment
Canon iPF 5100, 6100, 8100, 9100	Lucia Pigment

*For further information please refer to our website www.sihlinc.com

How to Buy

For additional Sihl Digital Imaging product information, please call 1-800-366-7393 or visit our website www.sihlinc.com where you can also find an authorized Sihl reseller near you.