

© 2017 RYAN SENATORE ARCHITECTURE

DEFINITIVE BREWING COMPANY
 35 INDUSTRIAL WAY
 PORTLAND MAINE



RYAN SENATORE
 ARCHITECTURE
 565 CONGRESS STREET
 PORTLAND, MAINE 04101
 207-650-8414
 senatorearchitecture.com

CONSULTANTS:
 △ - REVISED - 01/10/18
 △ - REVISED - 03/09/18

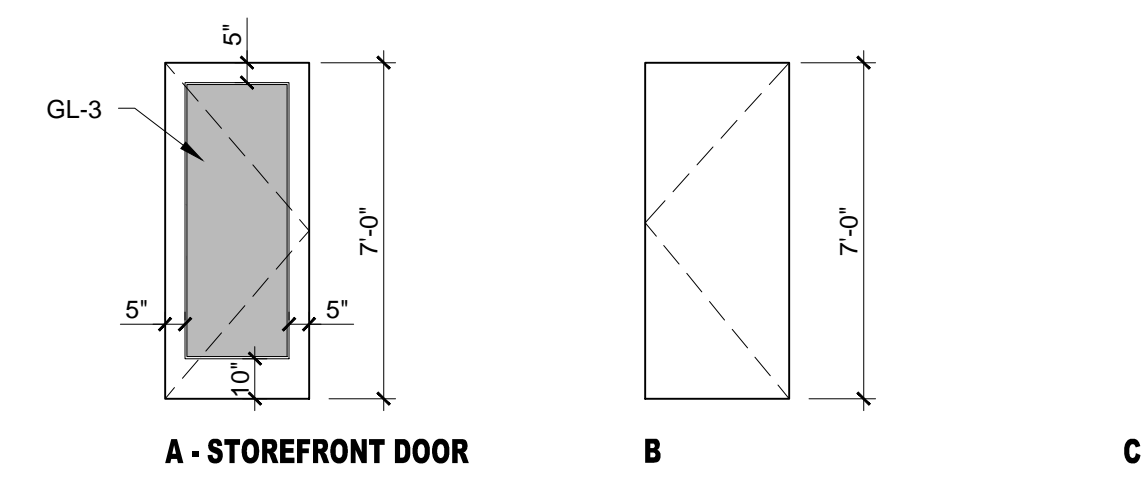
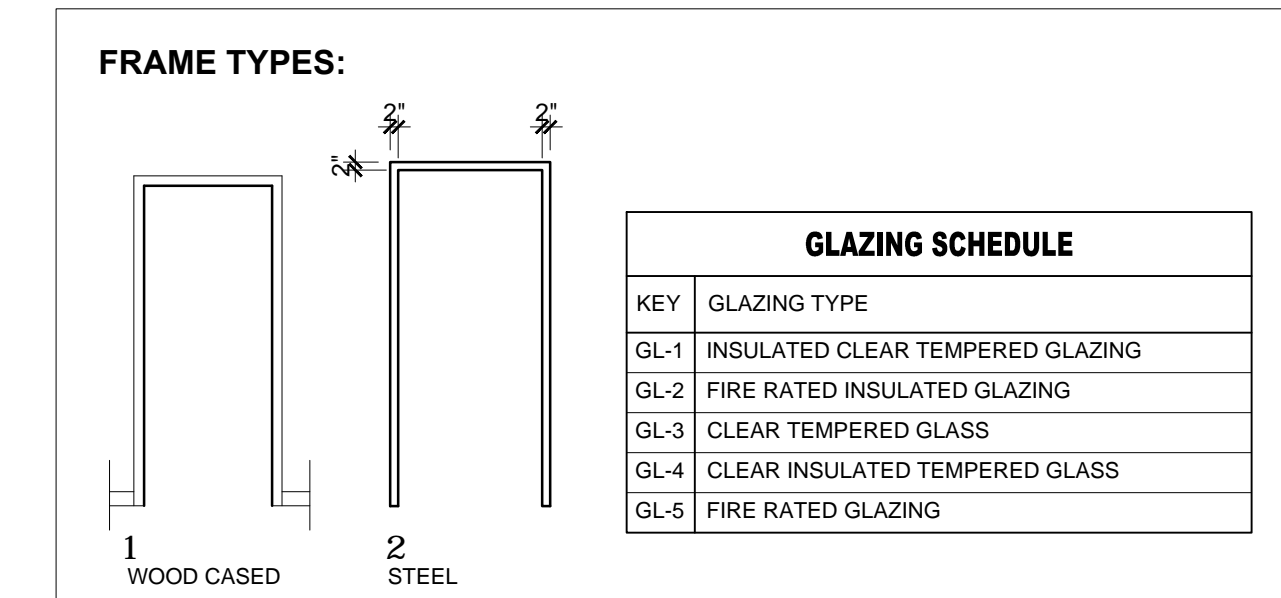
REVISIONS:

DATE: MARCH 6, 2018
 PROJECT No. 1772
 DRAWN BY: JPF
 CHECKED BY: RJS
 SCALE: AS NOTED

SHEET TITLE:
DOOR SCHEDULE

A7-0

- DOOR NOTES:**
- 1.) ALL EXTERIOR GLAZING TO BE LOW-E ARGON FILLED INSULATED GLAZING UNITS
 - 2.) FRAME ALL OPENINGS WITH ELEVATIONS
 - 3.) SEAL EXTERIOR DOORS TO ROUGH OPENING WITH LOW EXPANDING FOAM INSULATION - SEE DETAILS
 - 4.) ALL DOOR HARDWARE TO BE 'LEVER' TYPE
 - 5.) ALL EXTERIOR DOORS TO BE WEATHERSTRIPPED



1 DOOR TYPES
1/8" = 1'-0"

DOOR NO.	DOOR				FRAME							GENERAL					
	TYPE	SIZE		MATERIAL	FINISH	INSULATED	TYPE	MATERIAL	DETAILS			CLOSER	FIRE RATING (MINUTES)	F.O.B. ACCESS	HARDWARE KEY MLS - MORTISE LOCK SET LS - LOCK SET PS - PRIVACY SET PS - PASSAGE SET LP - LEVER PULL PH - PEEKHOLE LENSE	MATERIALS KEY AL - ALUMINUM STL - STEEL MTL - METAL WD - WOOD	FINISH KEY PTD - PAINTED ANO - ANODIZED ALUMINUM STN - STAINED
		WIDTH	HEIGHT						THICKNESS	THRESHOLD	HEAD						
LANDLORD PROVIDED DOOR (VIF)	100.1	A	3'-0"	7'-0"	1-3/4"	AL	ANO	Y	2	AL	-	-	-	Y	-	-	PANIC AND LATCHING HARDWARE
	100.2	B	3'-0"	7'-0"	1-3/4"	STL	PTD	Y	1	STL	-	-	-	-	-	-	-
LANDLORD PROVIDED DOOR (VIF)	100.3	B	3'-4"	7'-0"	1-3/4"	STL	PTD	Y	2	STL	AL	-	-	Y	60	-	PANIC AND LATCHING HARDWARE
	107.1	B	3'-0"	7'-0"	1-3/4"	STL	PTD	Y	1	STL	-	-	-	Y	-	-	1 HR FIRE RATED DOOR WITH PANIC AND LATCHING HARDWARE
	113.1	B	3'-0"	7'-0"	1-3/4"	WD	PTD	Y	2	STL	-	-	-	Y	-	-	RELOCATED DOOR WITH SPRING HINGES AND LEVER LOCKING HARDWARE