

© 2017 RYAN SENATORE ARCHITECTURE

DEFINITIVE BREWING COMPANY
 35 INDUSTRIAL WAY
 PORTLAND MAINE



RYAN SENATORE
 ARCHITECTURE
 565 CONGRESS STREET
 PORTLAND, MAINE 04101
 207-650-8414
 senatorearchitecture.com

CONSULTANTS:

REVISIONS:

DATE: DECEMBER 14, 2017

PROJECT No. 1772

DRAWN BY: JPF

CHECKED BY: RJS

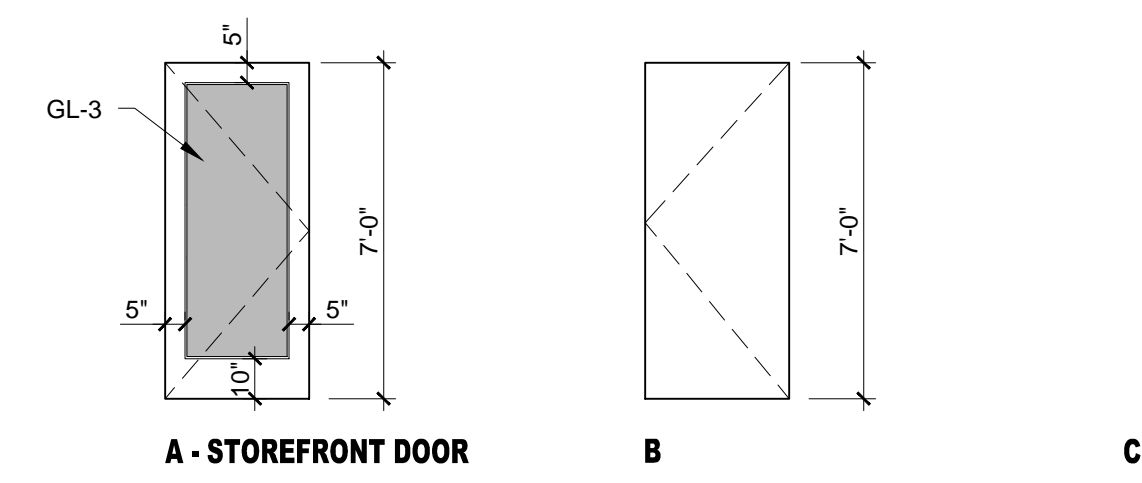
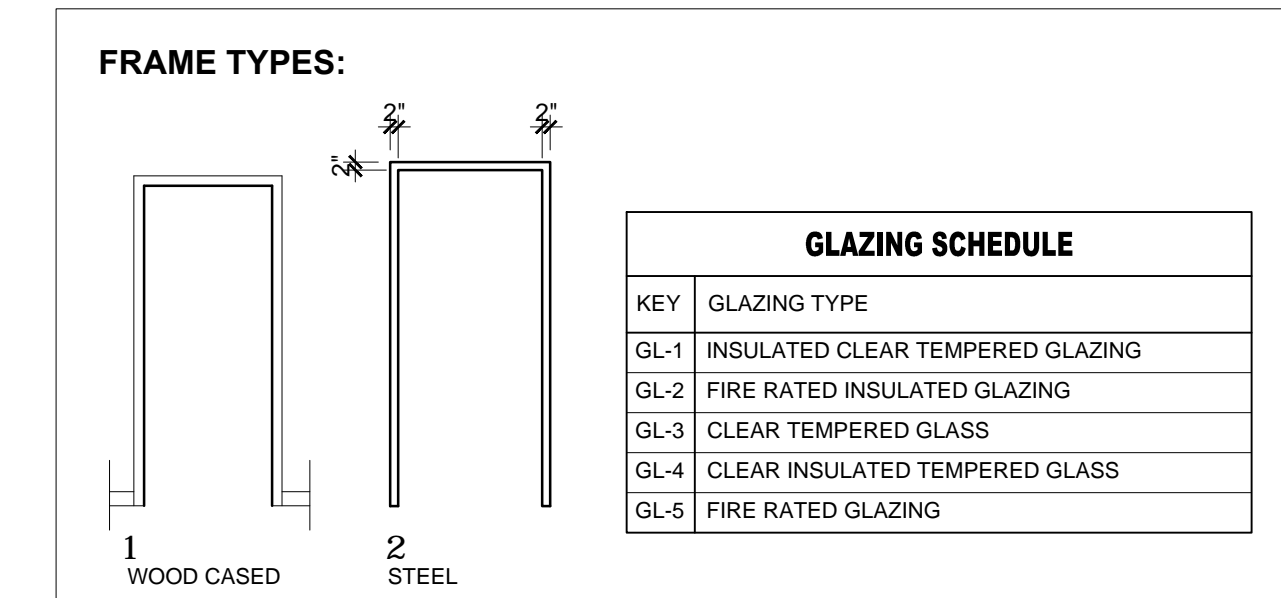
SCALE: AS NOTED

SHEET TITLE:

**DOOR
 SCHEDULE**

A7-0

- DOOR NOTES:**
- 1.) ALL EXTERIOR GLAZING TO BE LOW-E ARGON FILLED INSULATED GLAZING UNITS
 - 2.) FRAME ALL OPENINGS WITH ELEVATIONS
 - 3.) SEAL EXTERIOR DOORS TO ROUGH OPENING WITH LOW EXPANDING FOAM INSULATION - SEE DETAILS
 - 4.) ALL DOOR HARDWARE TO BE 'LEVER' TYPE
 - 5.) ALL EXTERIOR DOORS TO BE WEATHERSTRIPPED



1
1/8" = 1'-0"

DOOR NO.	DOOR											FRAME											GENERAL		
	TYPE	SIZE			MATERIAL	FINISH	INSULATED	TYPE	MATERIAL	DETAILS			CLOSER	FIRE RATING (MINUTES)	F.O.B. ACCESS	HARDWARE KEY	MATERIALS KEY	FINISH KEY							
		WIDTH	HEIGHT	THICKNESS						THRESHOLD	HEAD	JAMB							SILL	MS-MORTISE LOCK SET	AL-ALUMINUM	PFD-PAINTED			
LANDLORD PROVIDED DOOR (VIF)	100.1	A	3'-0"	7'-0"	1-3/4"	AL	ANO	Y	2	AL	AL	-	-	-	Y	-	-	-	PANIC AND LATCHING HARDWARE						
	100.2	B	2'-6"	7'-0"	1-3/4"	STL	PTD	Y	1	STL	-	-	-	-	-	-	-	-							
LANDLORD PROVIDED DOOR (VIF)	107.1	B	3'-0"	7'-0"	1-3/4"	STL	PTD	Y	1	STL	-	-	-	-	Y	-	-	-	1 HR FIRE RATED DOOR WITH PANIC AND LATCHING HARDWARE						