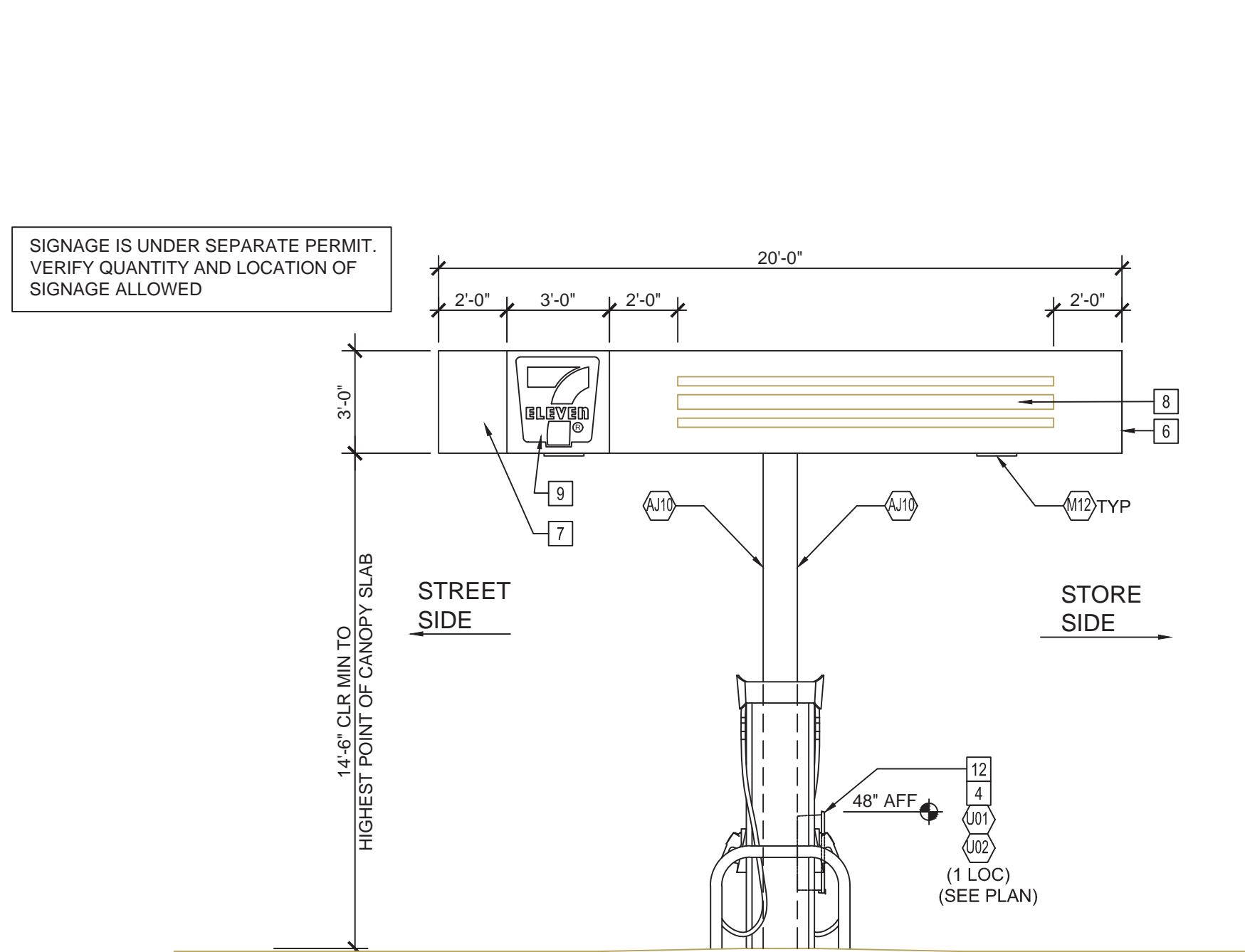
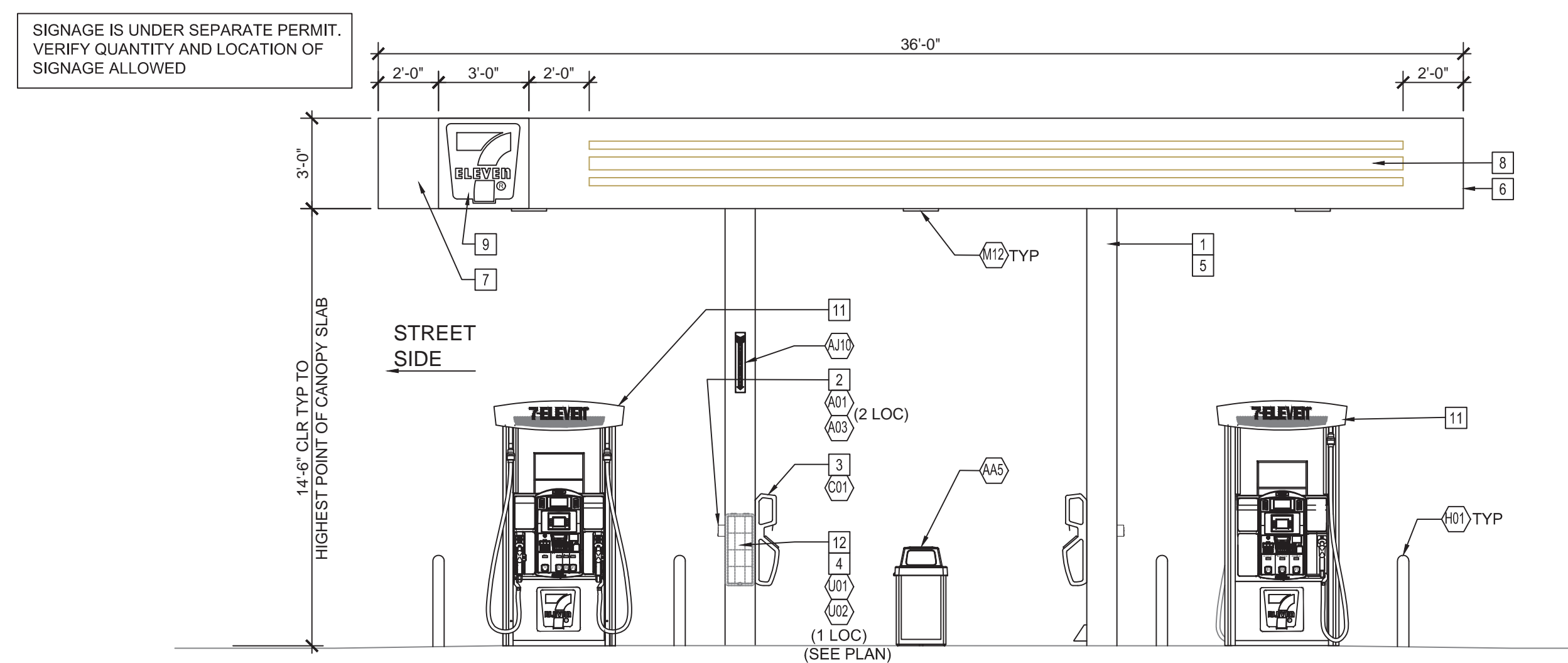


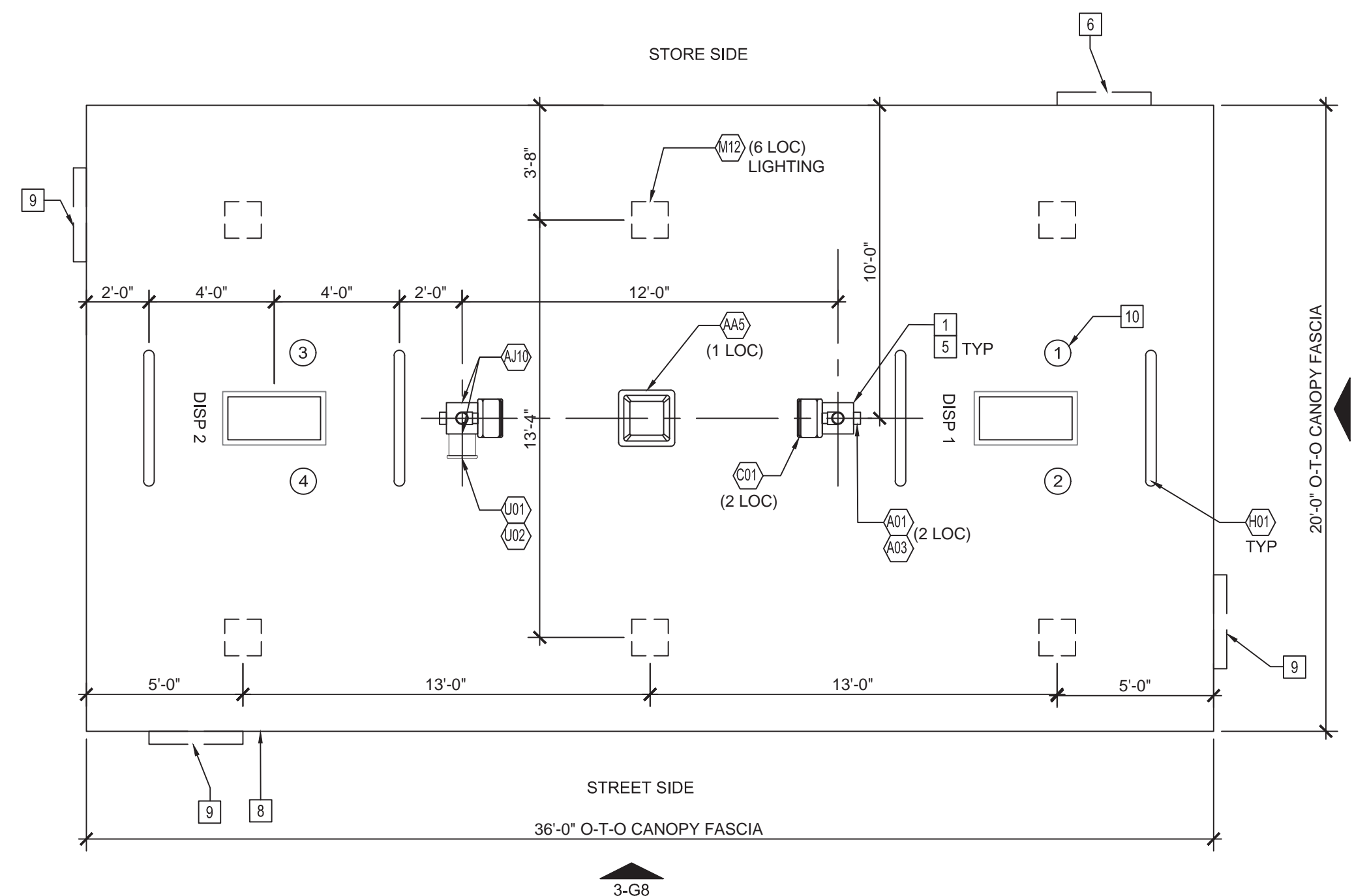
4 CANOPY DRAIN DETAIL
 1/2" = 1'-0"



2 CANOPY SIDE ELEVATION
 1/4" = 1'-0"



3 CANOPY END ELEVATION
 1/4" = 1'-0"



1 FUELING CANOPY PLAN
 1/4" = 1'-0"

GENERAL NOTES

- GRADES AROUND DISPENSERS AND CANOPY TO BE SHOT TO PREVENT PONDING AROUND THE DISPENSERS. CONTRACTOR TO REMOVE AND REPAIR PAVEMENT IF PONDING OCCURS.
- NO CONDUITS OR DOWNSPOUTS ON EXTERIOR OF CANOPY COLUMNS.
- REFER TO GRADING PLAN FOR FINAL ELEVATIONS.

KEY NOTES

- CANOPY COLUMN - PAINT "SEAL SKIN" SW7675.
- INTERCOM CALL BOX. MECHANICALLY FASTENED TO COLUMN. MOUNT AT 48" MAX. ABOVE SLAB TO BUTTON.
- WASH BUCKET - ADA MOUNTING HEIGHT TO BE MAX. 48" FROM GRADE TO PAPER TOWEL OPENING.
- FIRE EXTINGUISHER - ADA MOUNTING HEIGHT TO BE MAX. 48" FROM GRADE TO FIRE EXTINGUISHER.
- DOWNSPOUT FROM CANOPY (INSIDE THE COLUMN) TO TIE INTO STORM DRAIN WHEN AVAILABLE AND TO DRAIN OUT OF COLUMN PARALLEL TO AND AWAY FROM DISPENSER IN ALL OTHER CASES.
- OVERFLOW PROTECTION AS REQUIRED. SEE CANOPY DRAWINGS AND SPECIFICATIONS.
- GASOLINE CANOPY. SEE MANUFACTURER'S DRAWINGS AND SPECIFICATIONS FOR DETAILS OF CONSTRUCTION.
- ACM CANOPY FASCIA WITH TATEYAMA IMAGE TRI-STRIPE (NON-ILLUMINATED).
- ILLUMINATED LOGO SIGNS UNDER SEPARATE PERMIT. VERIFY QUANTITY AND LOCATION OF SIGNS ALLOWED.
- FUELING POSITION NUMBER.
- REF 1-G5 FOR DISPENSER TYPE.
- FIRE EXTINGUISHER CABINET MOUNTED ON SIDE OF COLUMN REF PLAN FOR LOCATION.
- REF G7 FOR EQUIPMENT TAG (XXX) DESCRIPTION.

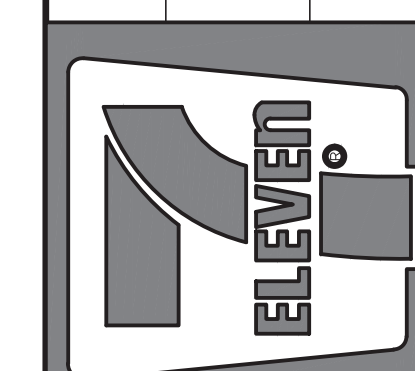
Rev. #	Date	Description

Proto 2nd Qtr 04-03-15

7-ELEVEN, INC.
 3200 HACKBERRY ROAD, IRVING, TEXAS 75063

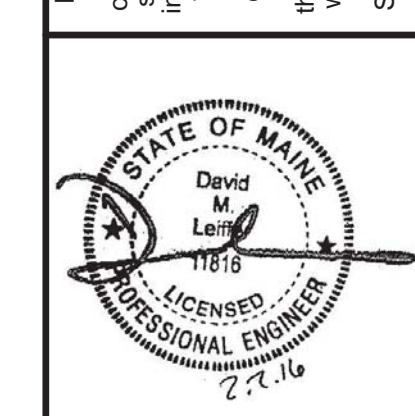
7-11 #32541
 1917 FOREST AVE
 PORTLAND, ME 04103

FUELING CANOPY LAYOUT - 2-IN-LINE



Job#: SEL-16380.0222
 Scale: AS NOTED
 Date: 01/21/16
 Drawn By: JMR
 Checked By: CPS

Documents prepared by Core States Group are to be used for the specific use for which they are intended. Any extension of use to other projects, by owner or otherwise, without the expressed, written consent of Core States Group is prohibited. Core States Group is not liable for any claims or damages, including attorney's fees, arising from the use of these documents for any purpose other than that specifically intended, user will hold Core States Group harmless from all claims and losses.



SHEET:
G8
 FUELING - USA