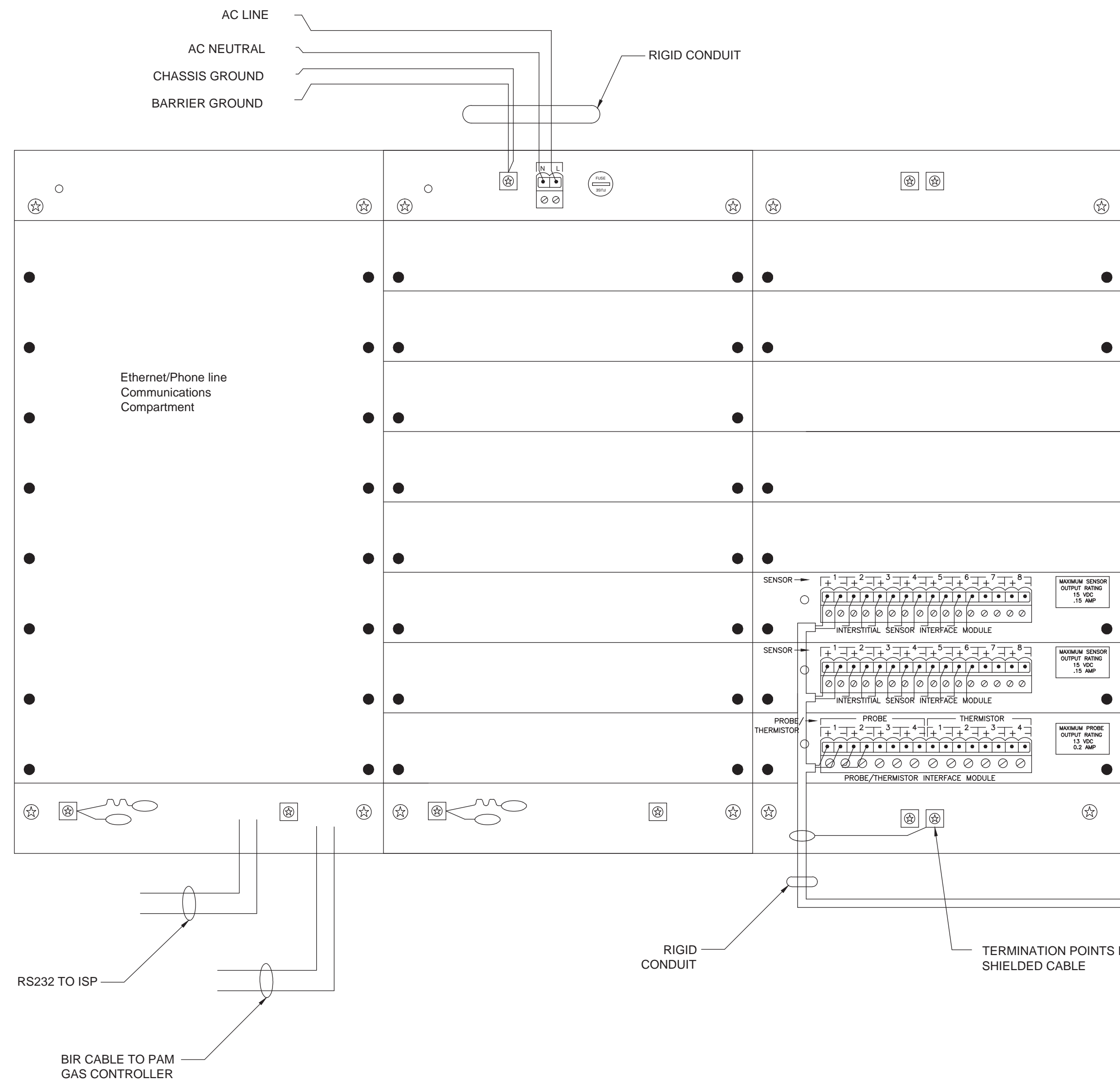


NON-HAZARDOUS AREA

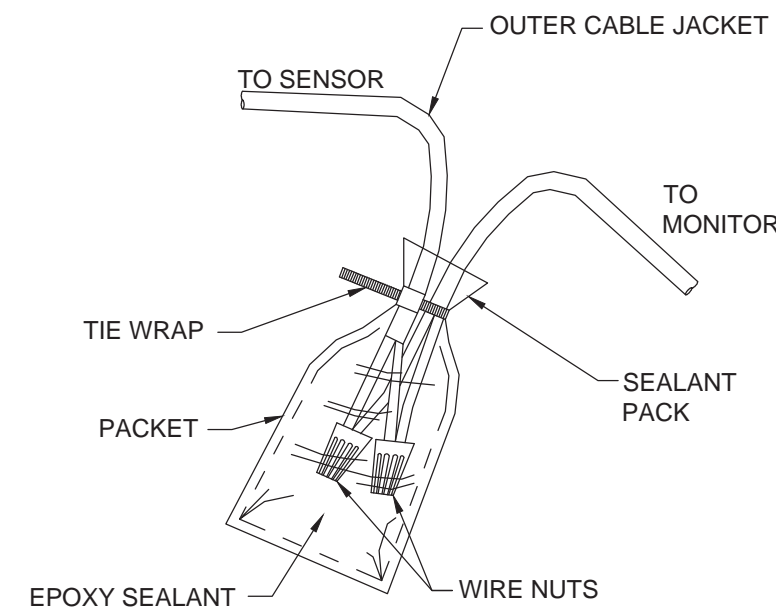
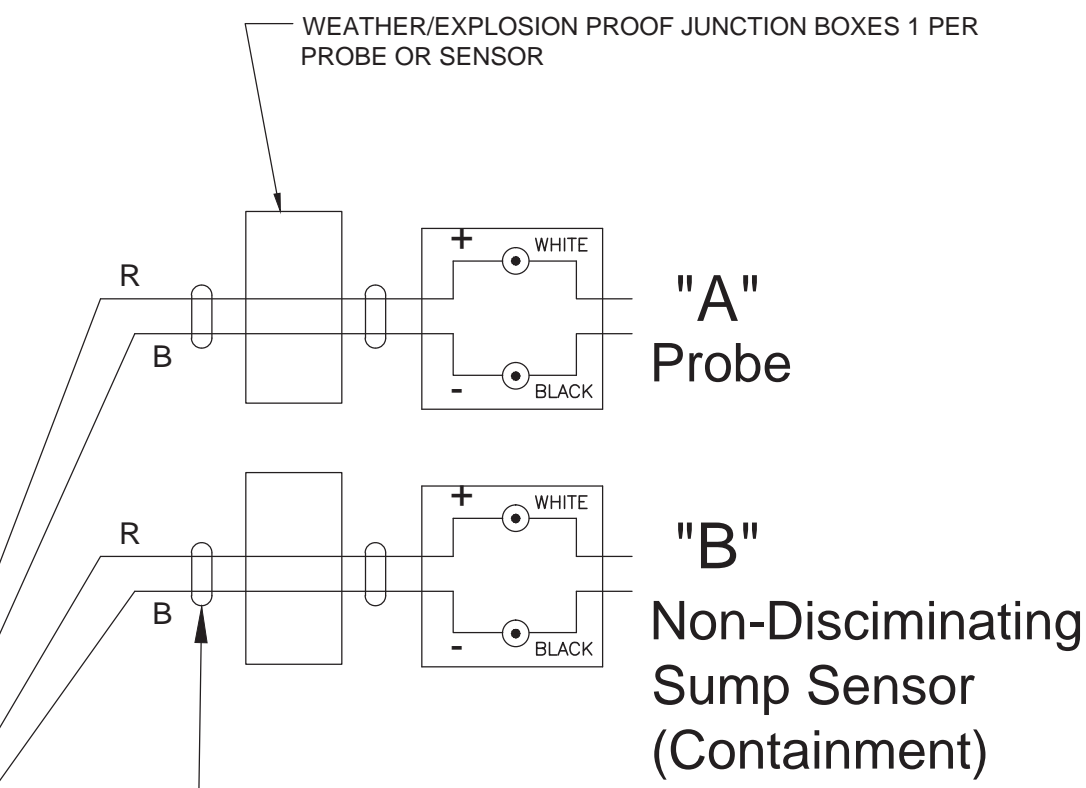
HAZARDOUS AREA



CABLE TYPE	PROBE OR SENSOR
BELDEN 88760	PROBE, SUMP, LIQUID, AND VACUUM SENSOR
12 AWG THWN	AC POWER TO CONSOLE

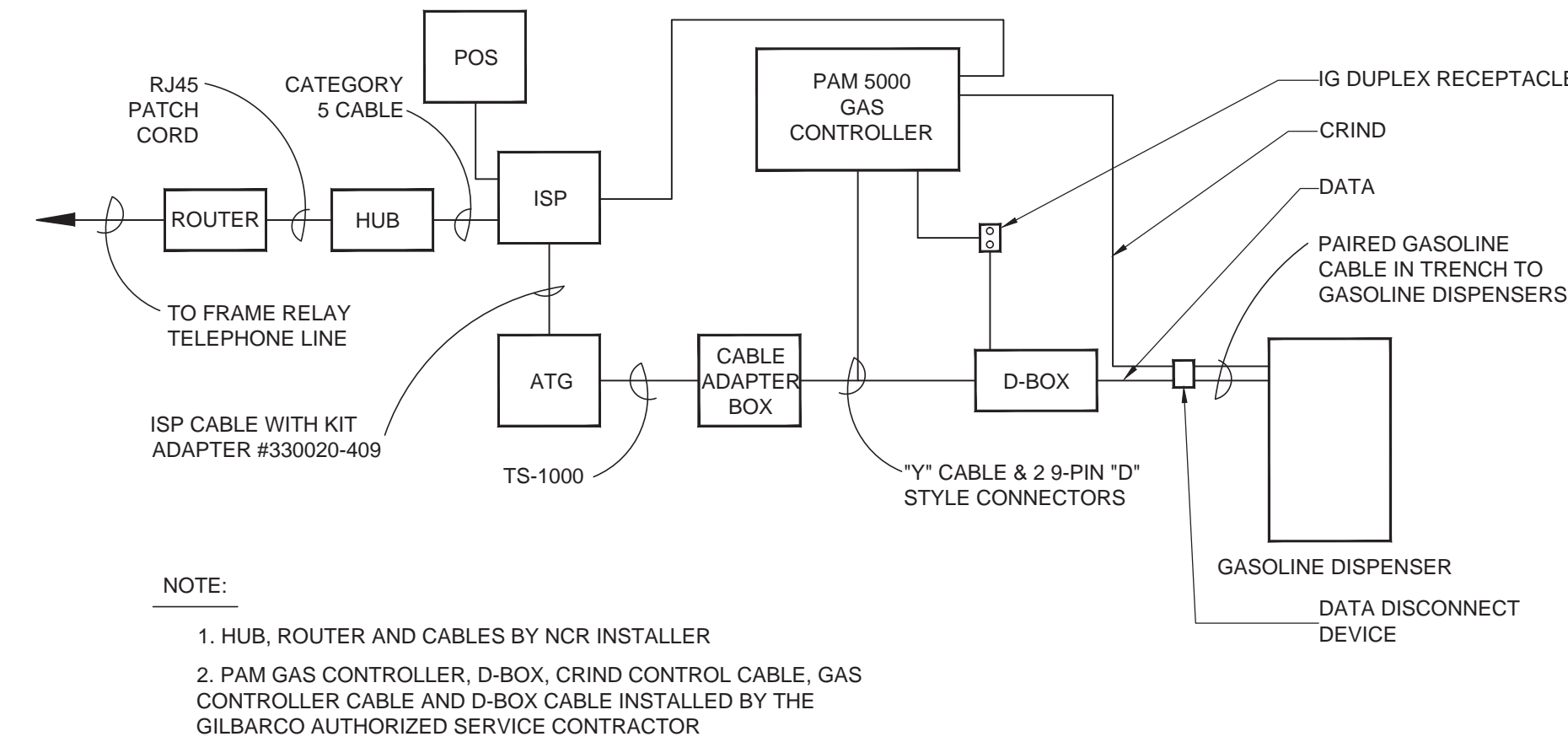
REFER TO THE 7-ELEVEN VEEDER ROOT INSTALLATION PROTOCOL GUIDE FOR SET UP AND CONFIGURATION OF REMOTELY MONITORED VEEDER ROOT EQUIPMENT.

CONTRACTOR SHALL PLACE A TYPED SCHEDULE THAT INDICATES WHICH CHANNEL IS ASSOCIATED WITH WHICH SENSOR



EPOXY SEALANT FOR TWO-WIRE CONNECTIONS

1 SITE MONITORING WIRING SCHEMATIC
1 1/2"=1'-0"



- NOTE:
- HUB, ROUTER AND CABLES BY NCR INSTALLER
 - PAM GAS CONTROLLER, D-BOX, CRIND CONTROL CABLE, GAS CONTROLLER CABLE AND D-BOX CABLE INSTALLED BY THE GILBARCO AUTHORIZED SERVICE CONTRACTOR

2 POS GAS CONTROLLER DIAGRAM
NTS

GENERAL NOTES

IMPORTANT: THIS IS A CONTROL DRAWING ONLY AND DOES NOT REFLECT THE ACTUAL LOCATIONS OF CONDUIT ENTRY (SEE NOTE 7 BELOW).

VEEDER-ROOT REQUIRES THAT ANYONE INSTALLING OUR EQUIPMENT MUST BE LEVEL 1 CERTIFIED. FOR MORE INFORMATION REGARDING THE HOME STUDY INSTALLERS COURSE CONTACT JOHN HOWELL 951-532-8599.

WARNING: IN INSTALLATION AND USE OF THIS PRODUCT, COMPLY WITH THE NATIONAL ELECTRICAL CODE, FEDERAL STATE AND LOCAL CODES. IN ADDITION, TURN OFF POWER AND TAKE OTHER NECESSARY PRECAUTIONS DURING INSTALLATION, SERVICE AND REPAIR TO PREVENT PERSONAL INJURY, PROPERTY LOSS AND EQUIPMENT DAMAGE.

WARNING: DISCONNECT ALL POWER BEFORE MAKING ANY CONNECTIONS TO PREVENT DEATH, SERIOUS INJURY, EXPLOSION, OR ELECTRICAL SHOCK. MONITOR MUST NEVER BE OPERATED UNLESS THE FRONT COVER IS CLOSED OVER THE BARRIER TERMINALS IN THE INTRINSICALLY SAFE AREA.

1. **INTRINSICALLY SAFE WIRING**
BONDED CONDUIT MEANS THAT THE METALLIC SECTIONS OF CONDUIT ARE PERMANENTLY JOINED TO FORM AN ELECTRICALLY CONDUCTIVE PATH THAT WILL ASSURE ELECTRICAL CONTINUITY, AND THAT THE CONDUIT HAS THE CAPACITY TO CONDUCT SAFELY, ANY CURRENT LIKELY TO BE IMPOSED.
a) **BONDED & NON-BONDED CONDUIT** - THE WIRES BETWEEN THE MONITOR AND EACH PROBE/SENSOR LOCATION MUST BE #14, #16 OR #18 AWG STRANDED COPPER WIRES WITHIN A SHIELDED CABLE. SHIELDED CABLE MUST BE RATED AT LESS THAN 100 PICOFARAD PER FOOT AND MUST BE MANUFACTURED WITH A MATERIAL SUITABLE FOR THE ENVIRONMENT, SUCH AS BELDEN™ 88760.

2. CONNECT THE BARRIER GROUND TO THE EARTH GROUND BUS AT THE POWER DISTRIBUTION PANEL WITH #12 AWG (OR LARGER) CONDUCTOR.

3. DENOTES FIELD WIRING CONNECTION USING WATERPROOF CONNECTORS SUPPLIED WITH THE PROBE(S) AND SENSOR(S).

4. INTRINSICALLY SAFE WIRING SHALL BE INSTALLED IN ACCORDANCE WITH ARTICLE 504-20 OF THE NEC, ANSINFP A 70.

5. TO MAINTAIN INTRINSIC SAFETY, PROBE/SENSOR WIRING MUST BE INSTALLED WITH EITHER SEALED CONDUIT OR DIRECT BURIAL METHODS. REFER TO "DIRECT BURIAL CABLE INSTALLATION", MANUAL NO. 576019-858.

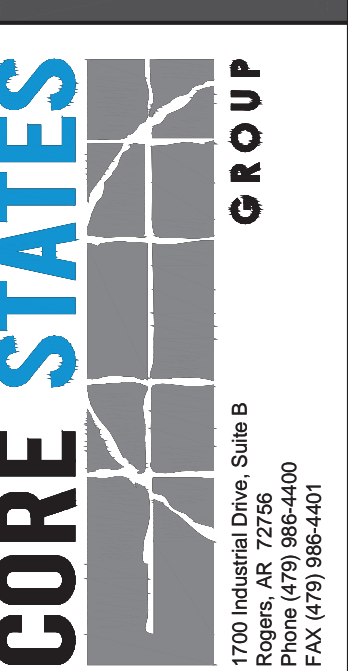
6. ELECTRICAL RATING POWER INPUT 120 VAC, 50/60 HZ, 100 VA MAXIMUM.

7. THIS DOCUMENT IS NOT TO BE USED AS A SUBSTITUTE FOR SPECIFIC EQUIPMENT INSTALLATION MANUALS. FOR INSTALLATION DETAILS USE THE RESPECTIVE MANUAL: TLS-350(R) 576013-879

8. ALL CABINET PENETRATIONS MUST ENTER THROUGH A PRE-DRILLED CONDUIT KNOCKOUT.

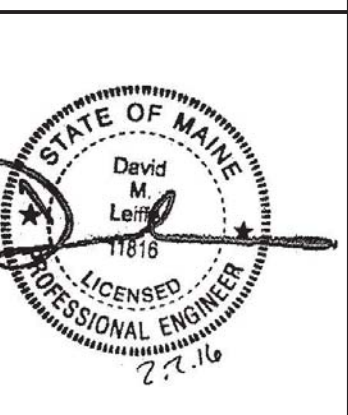
Rev. #	Date	Description

7-ELEVEN, INC.
3200 HACKBERRY ROAD, IRVING, TEXAS 75063
7-11 #32541
1917 FOREST AVE
PORTLAND, ME 04103
SITE MONITORING EQUIPMENT
DIAGRAM



Job#: SEL-16380.0222
Scale: AS NOTED
Date: 01/21/16
Drawn By: JMR
Checked By: CPS

Documents prepared by Core States Group are to be used only for the specific use for which they are intended. Any extension of use to other projects, by owner or otherwise, without the expressed, written consent of Core States Group is prohibited. Core States Group is not responsible for any claims or losses resulting from the use of this document for any other than the specifically intended use. User will hold Core States Group harmless from all claims and losses.



SHEET:
G12
FUELING - USA