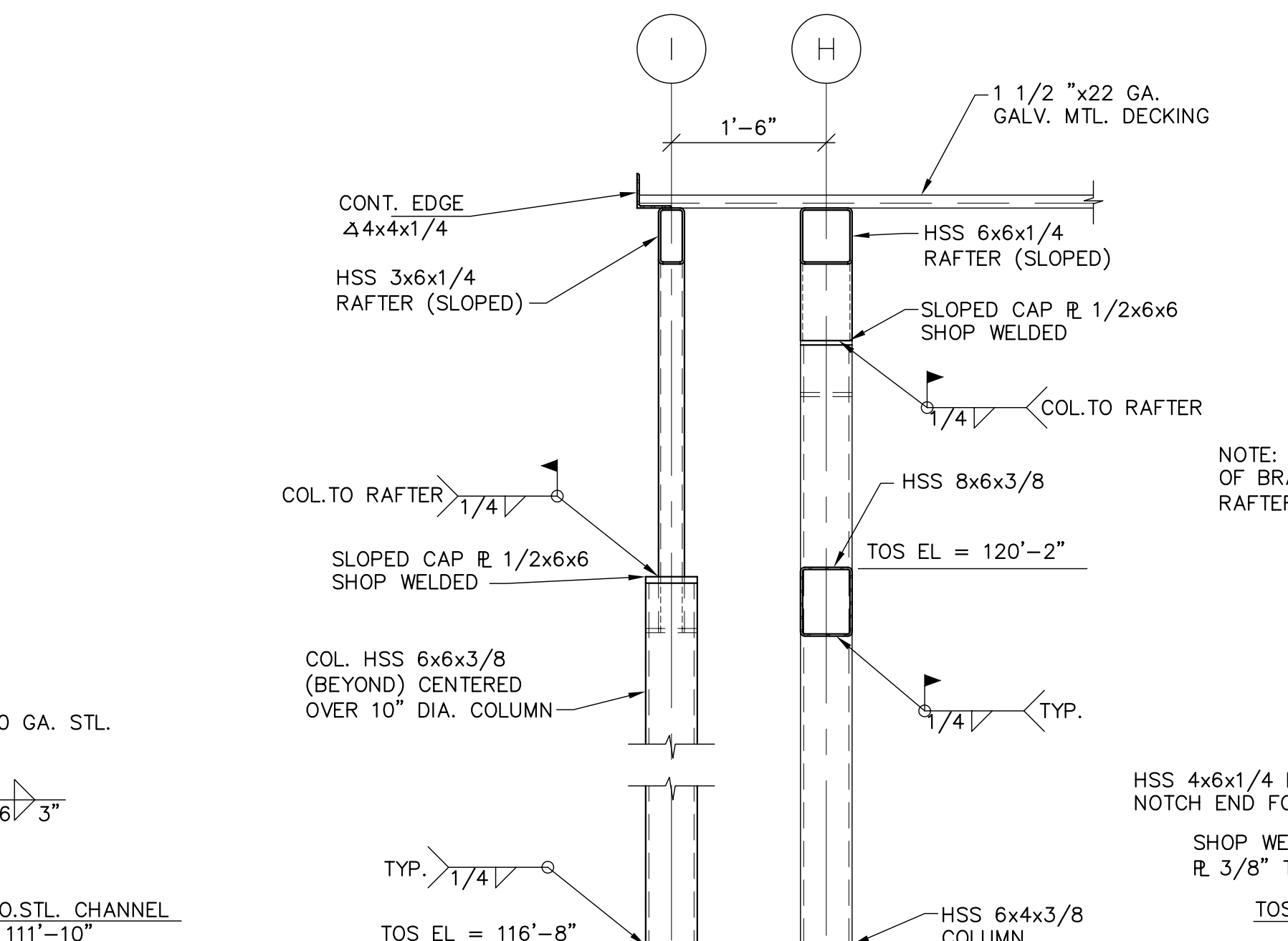
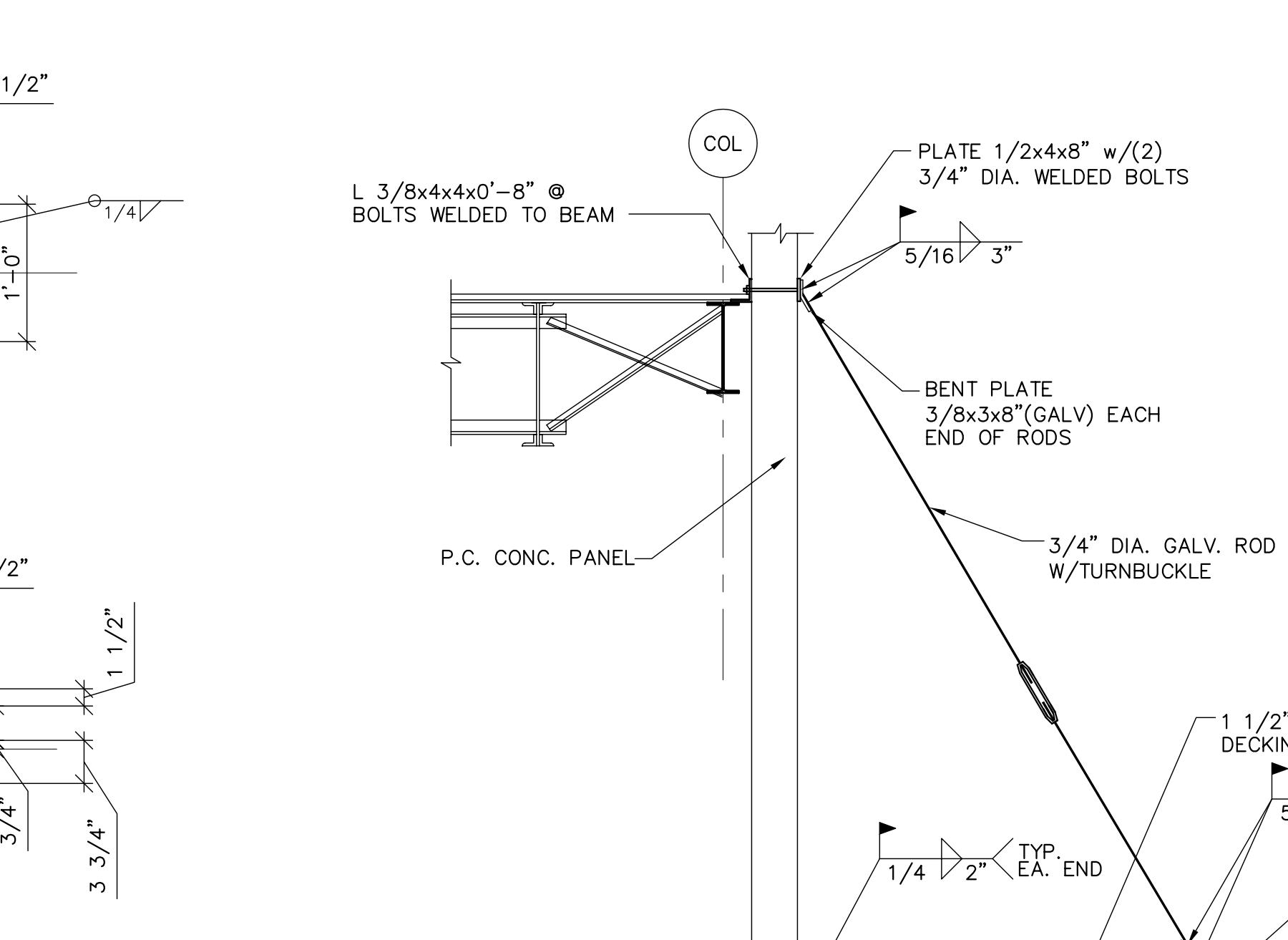
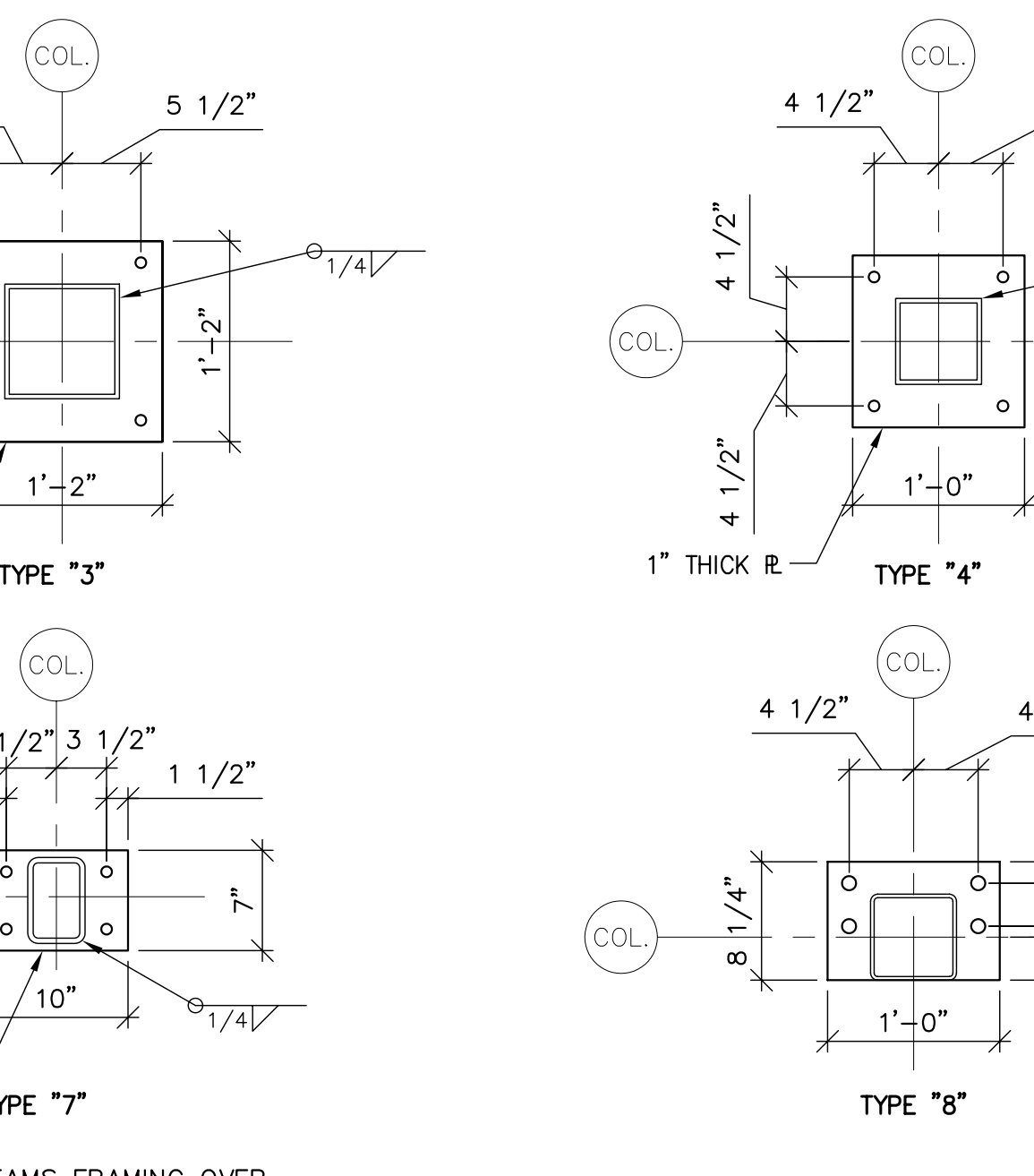
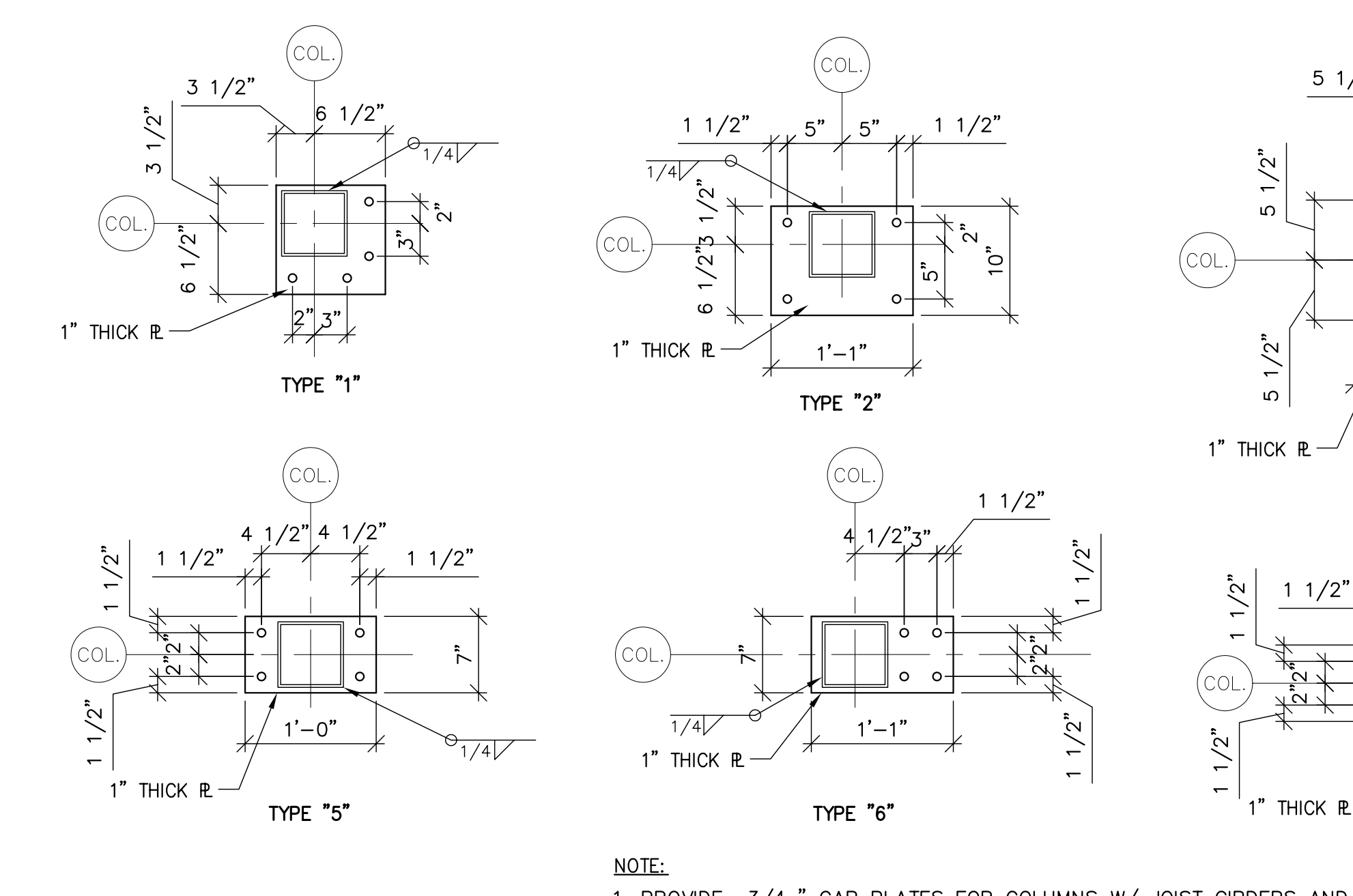
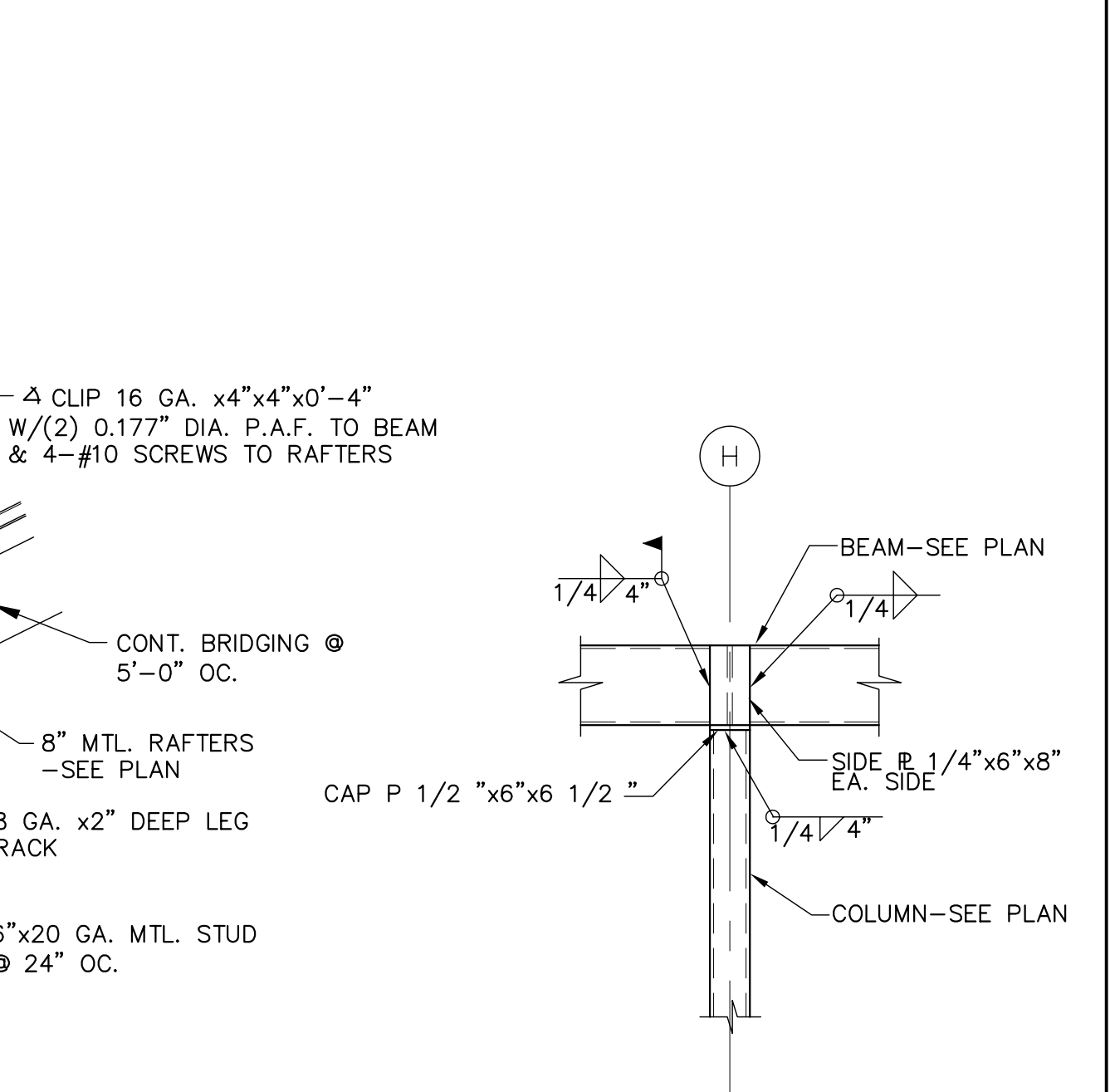
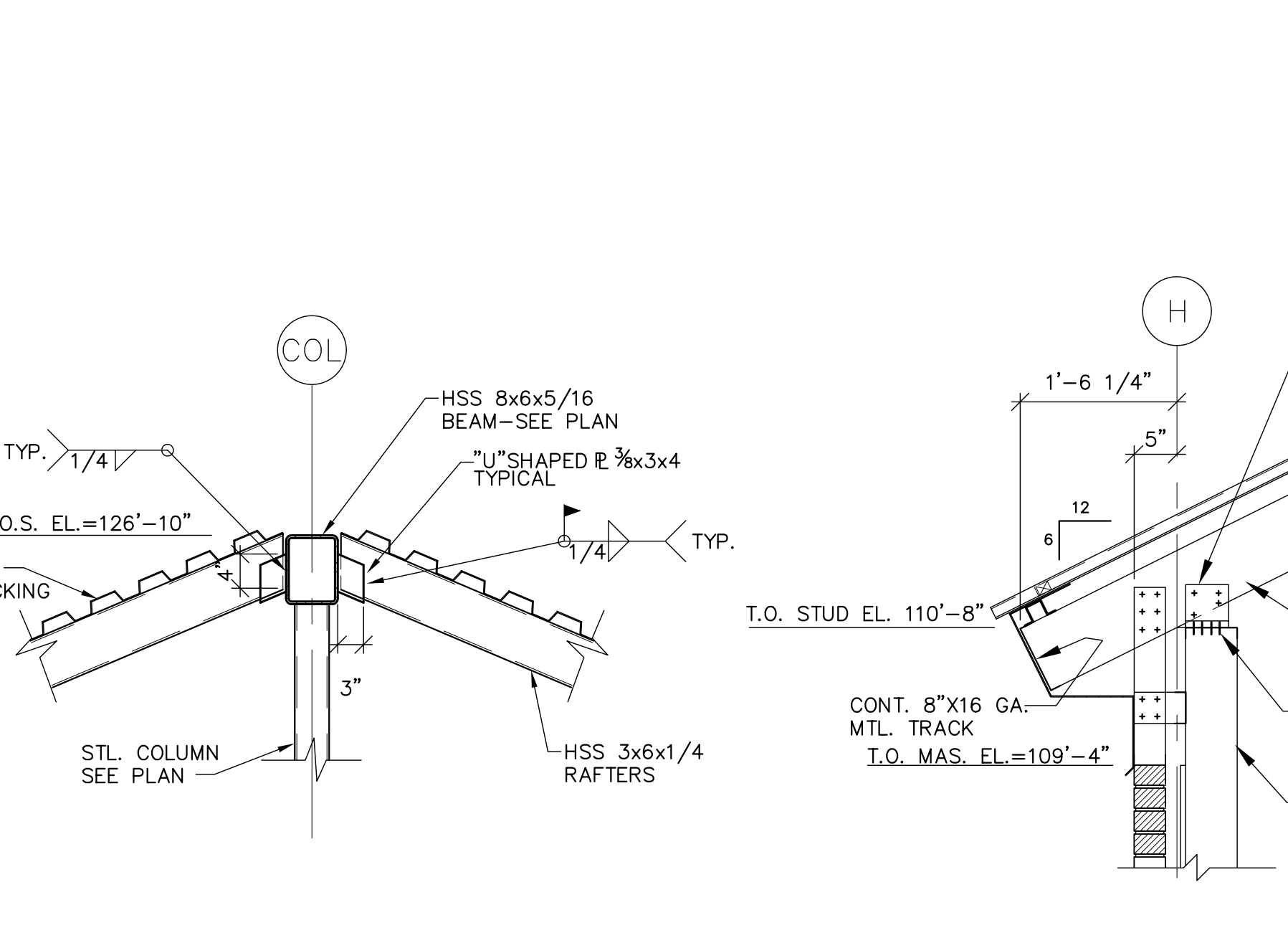
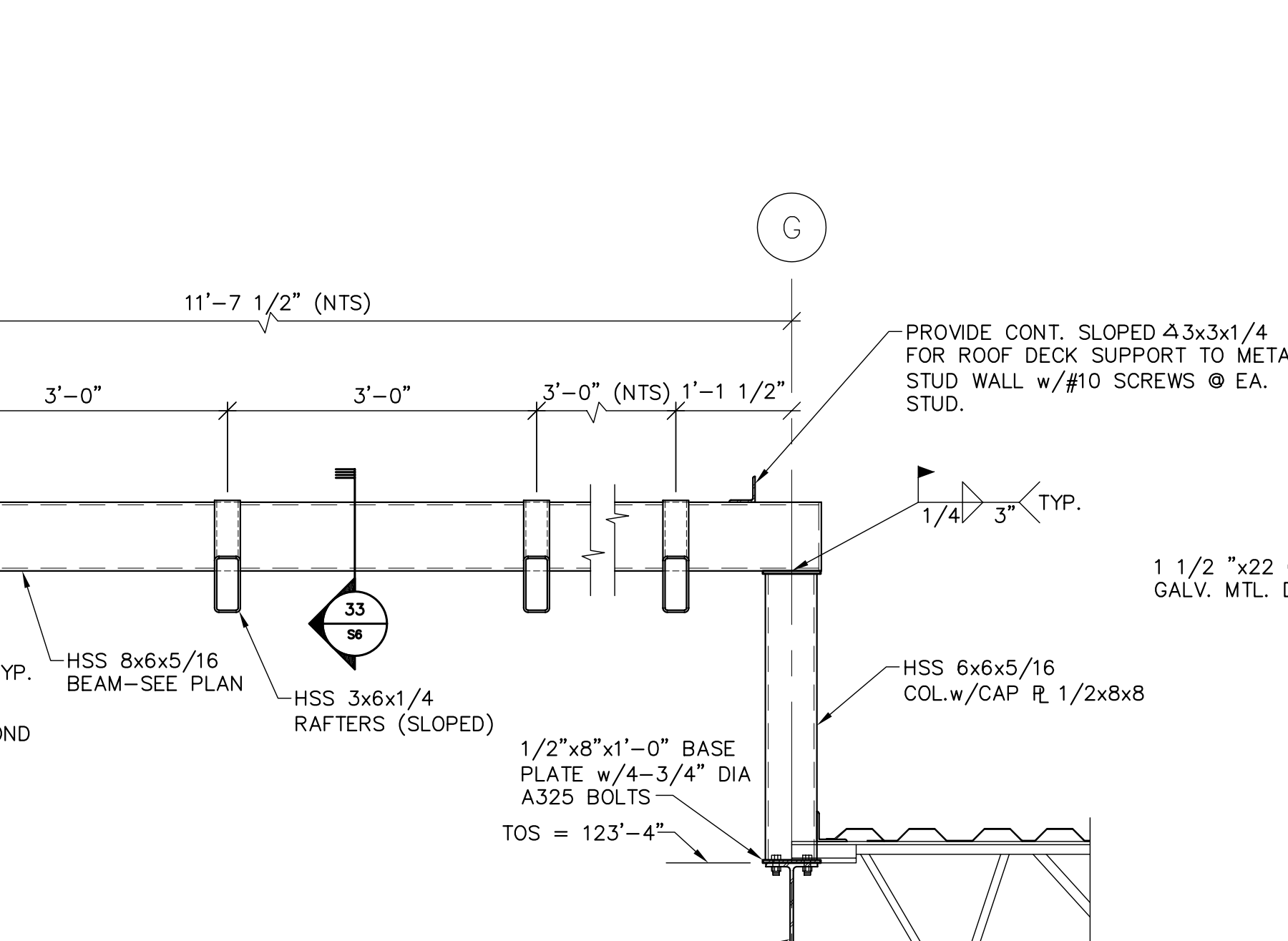
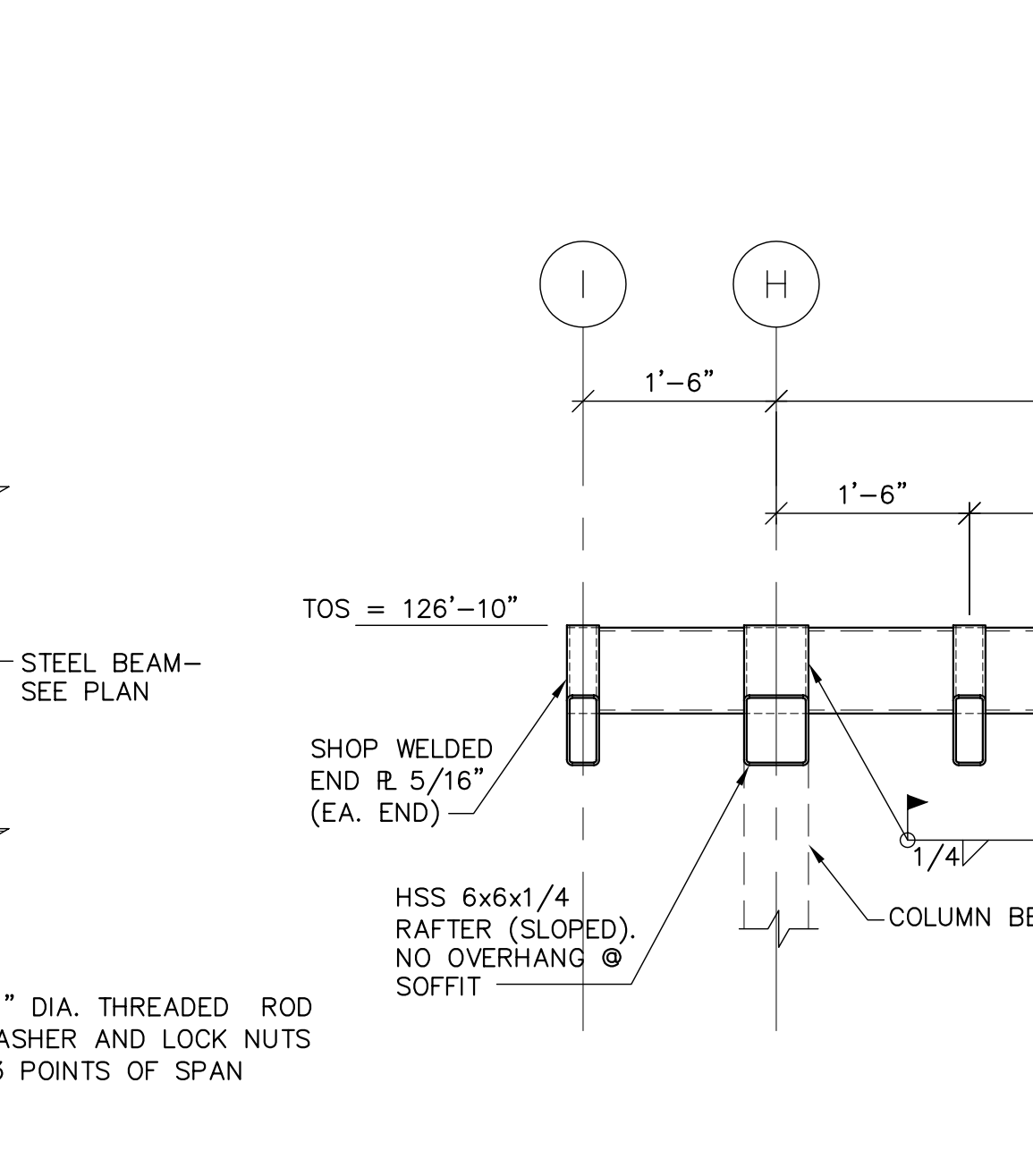
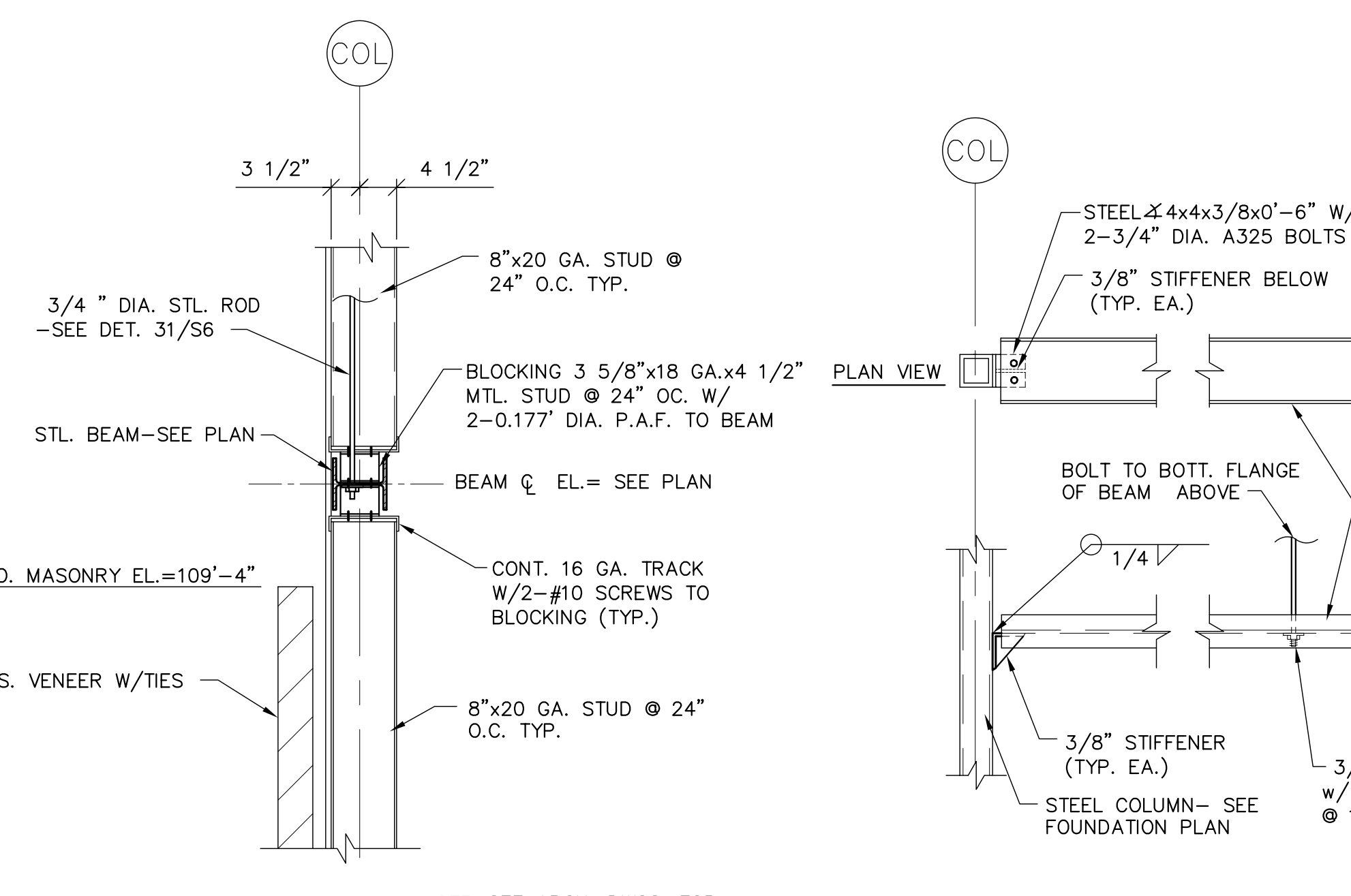
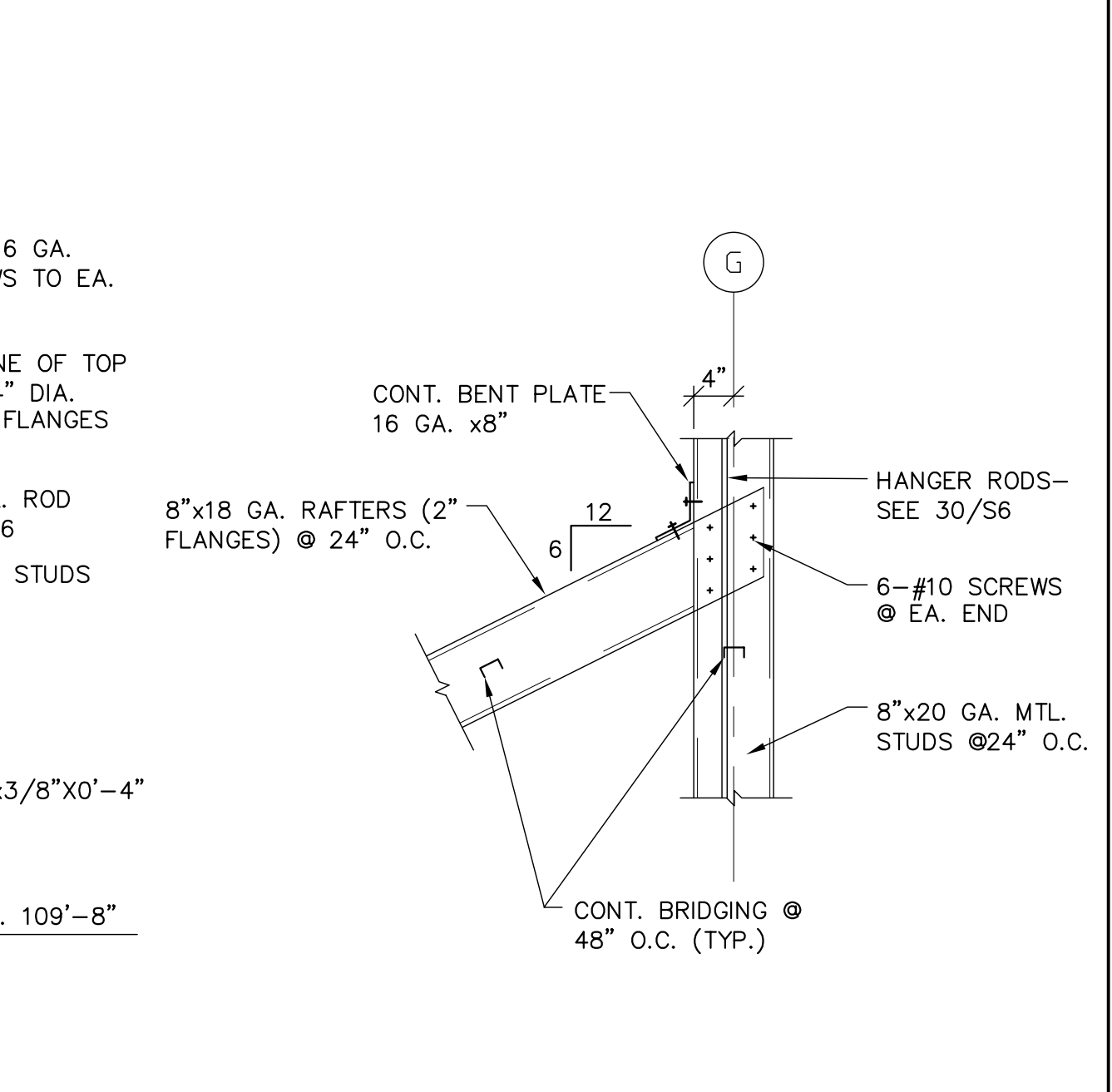
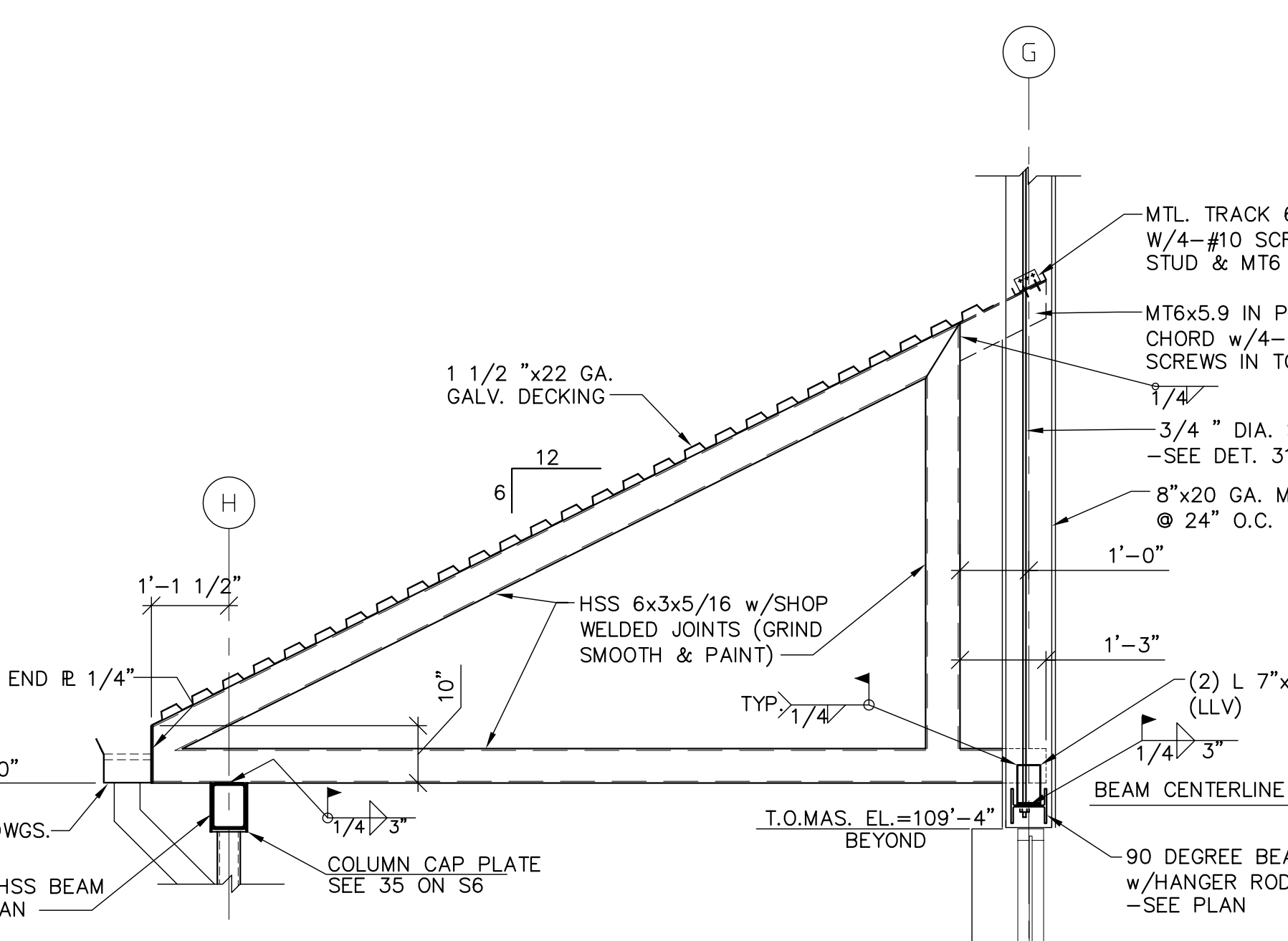
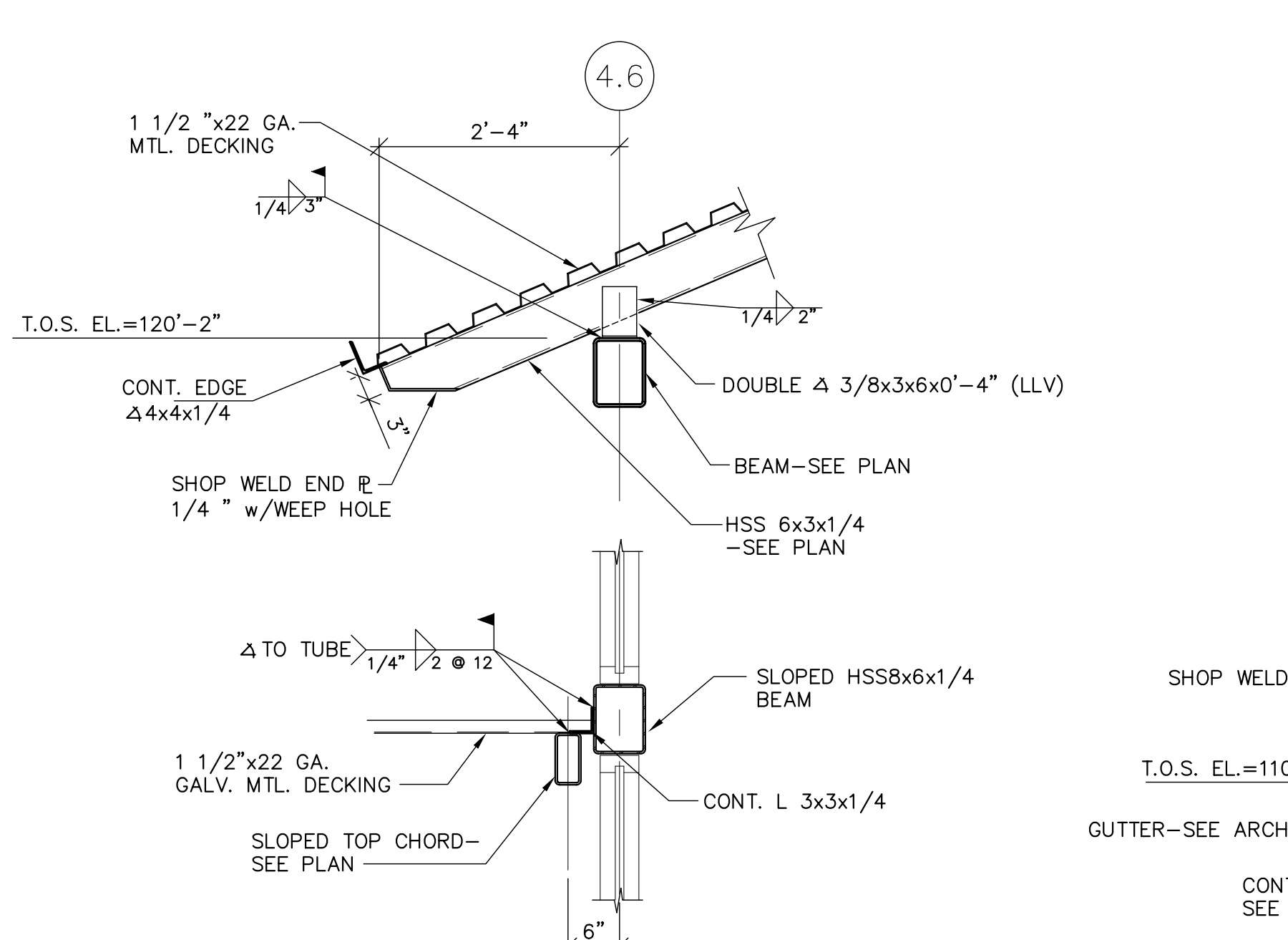
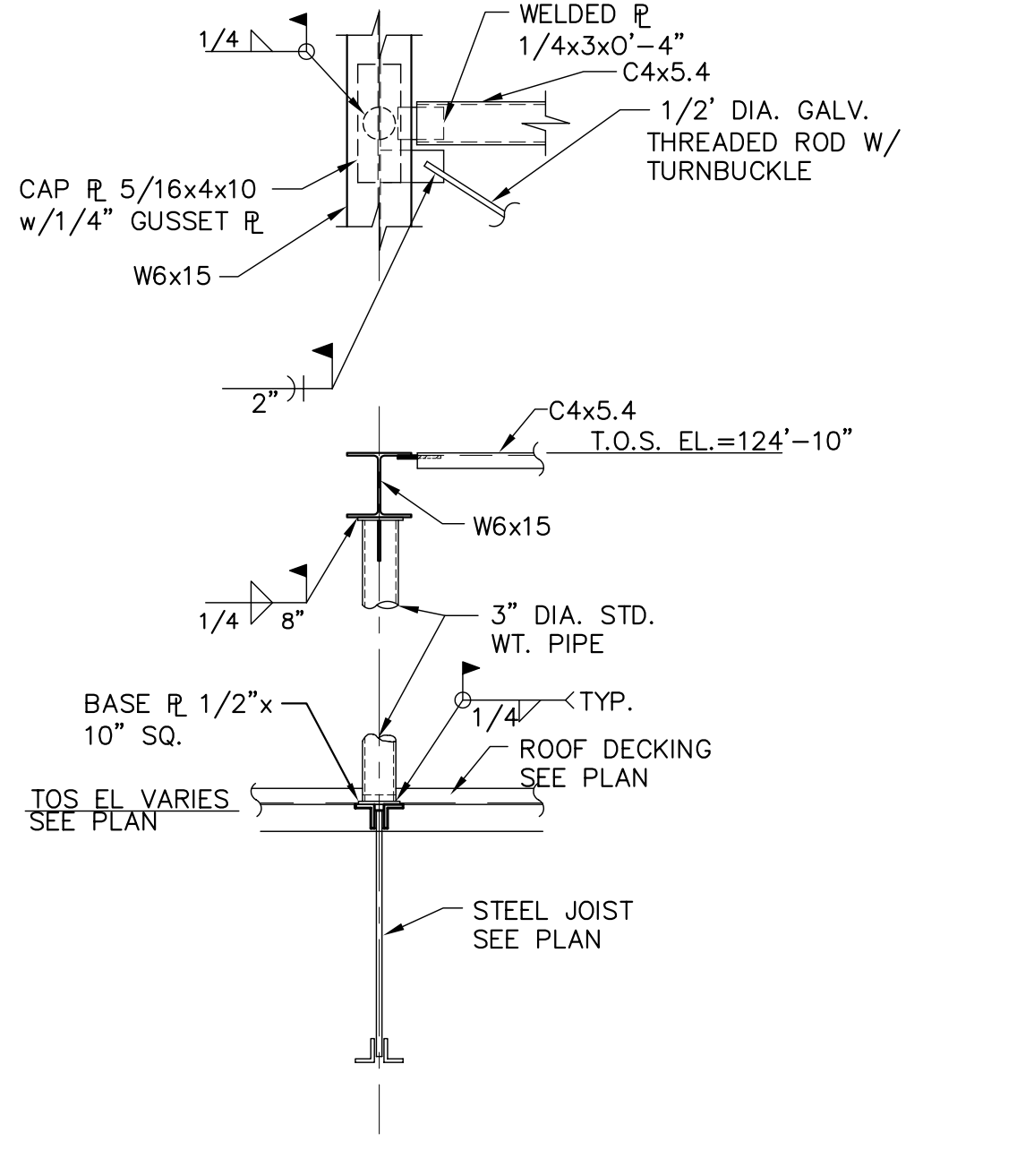
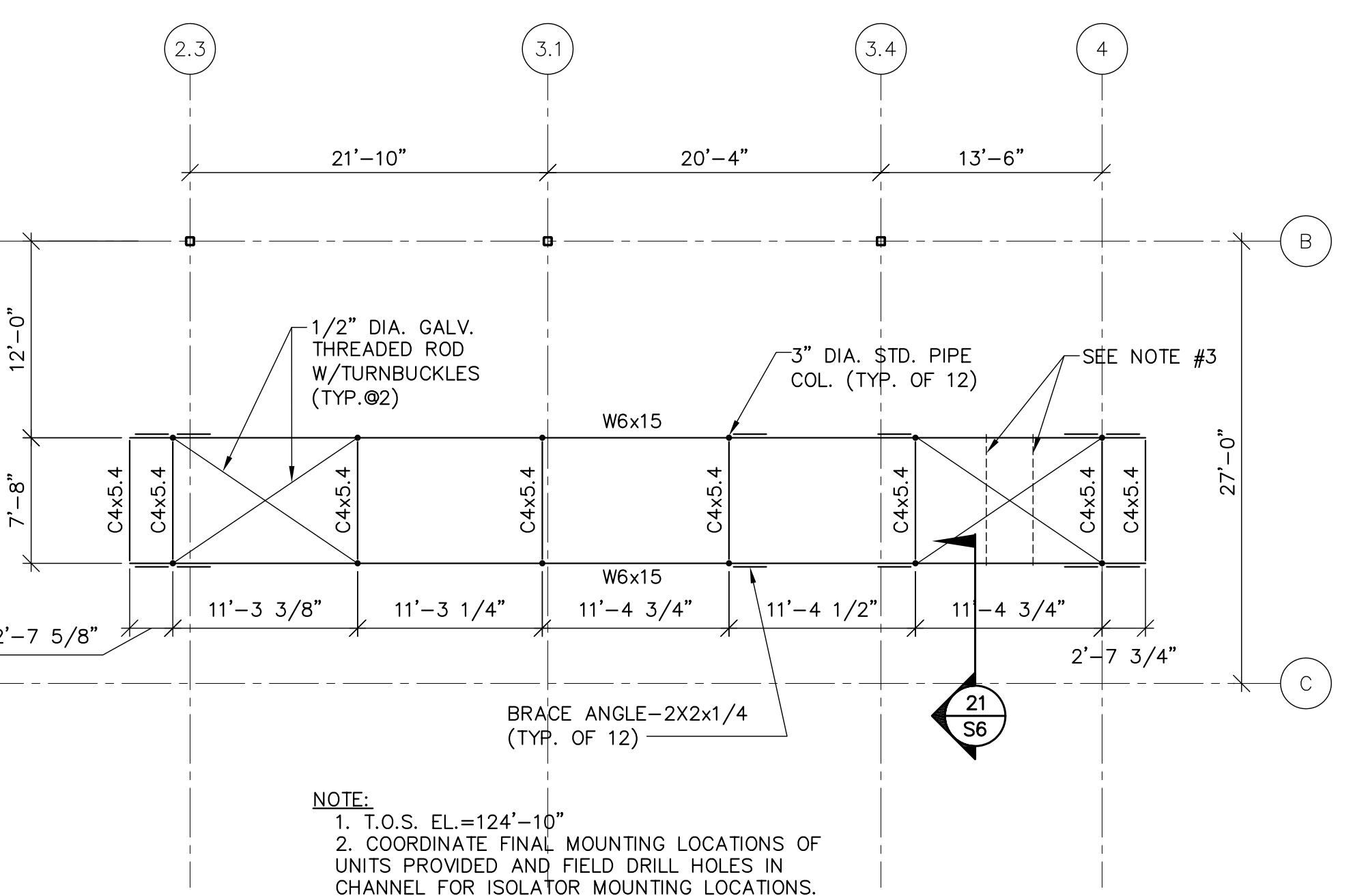
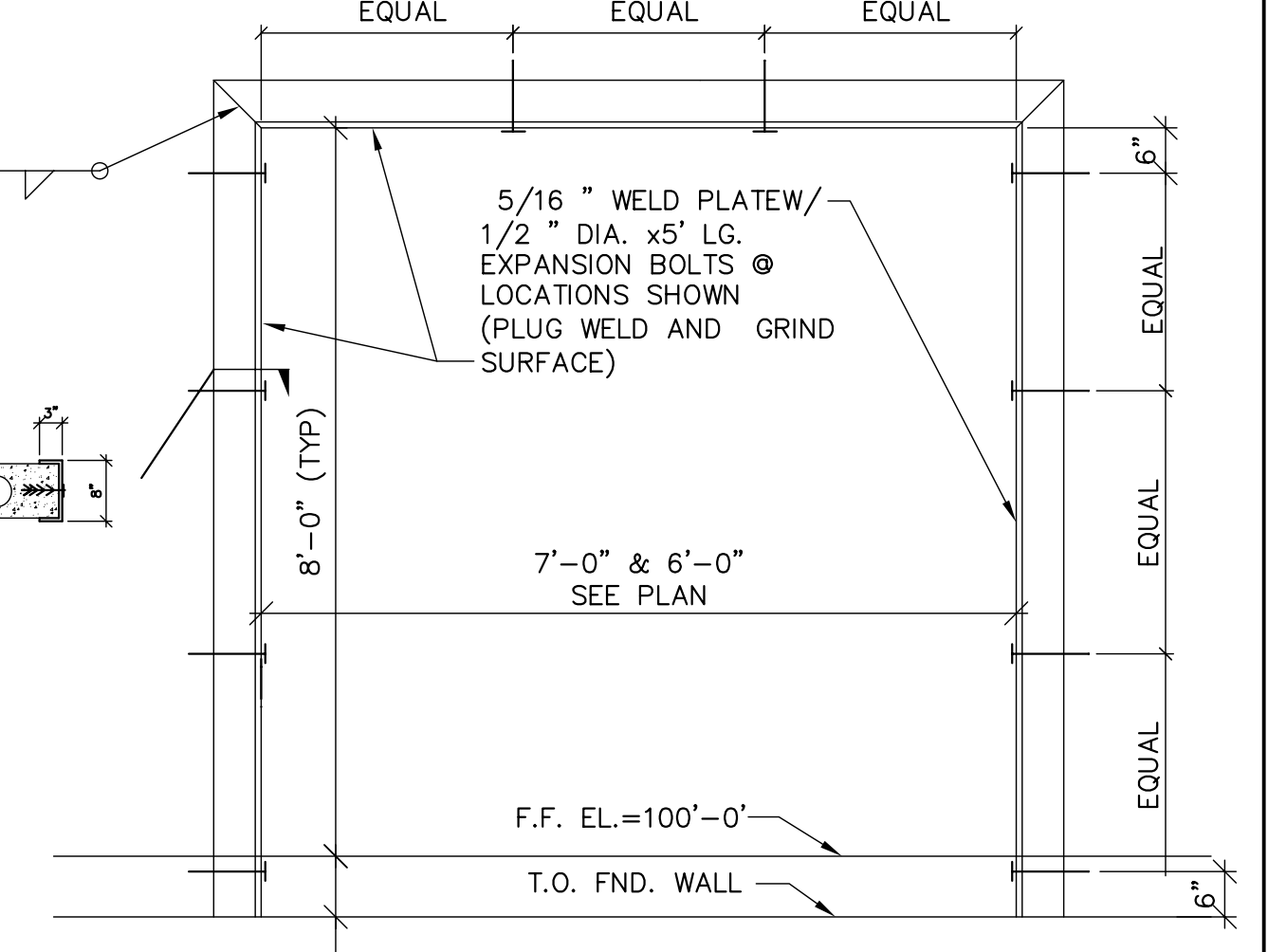
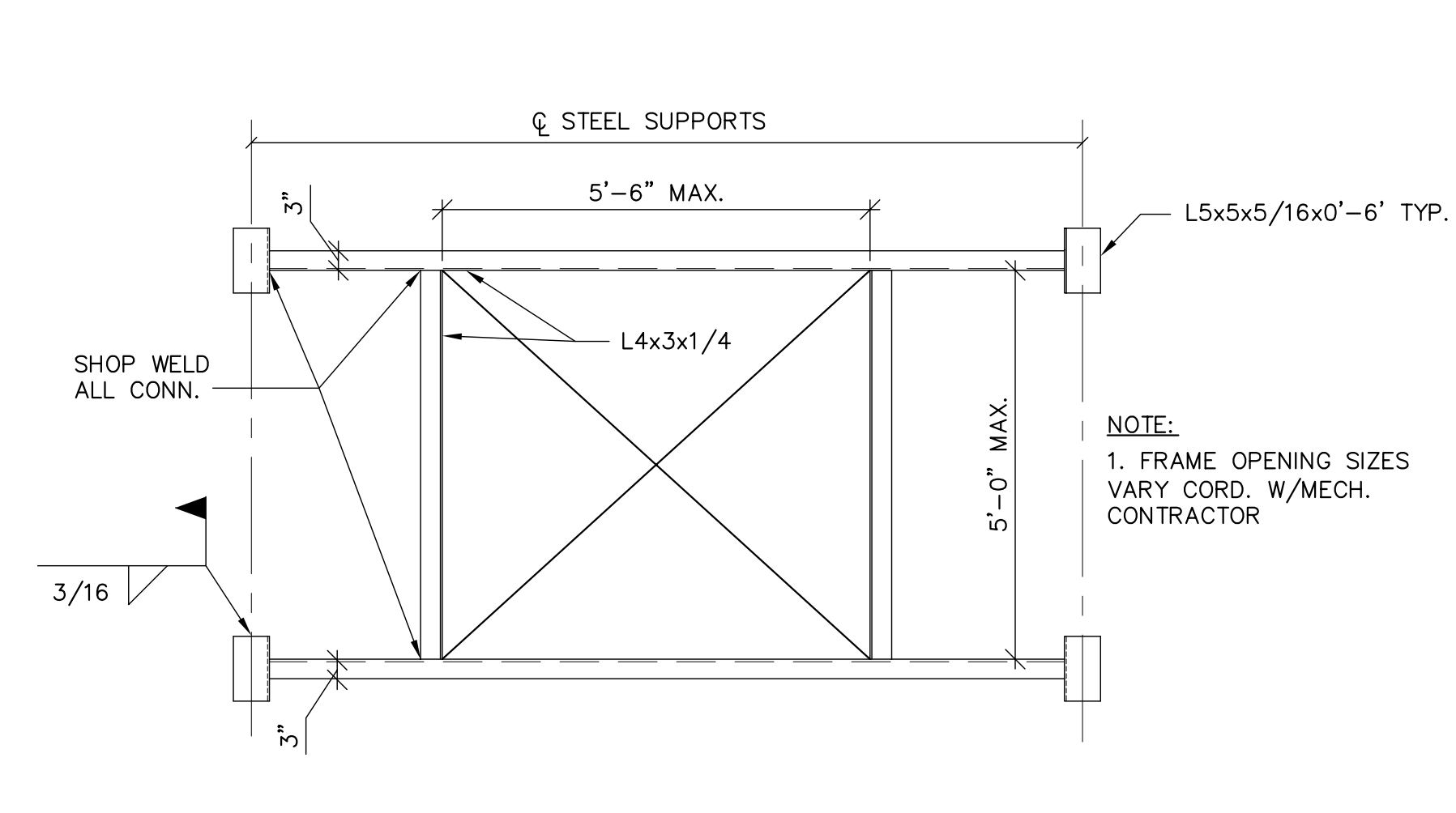
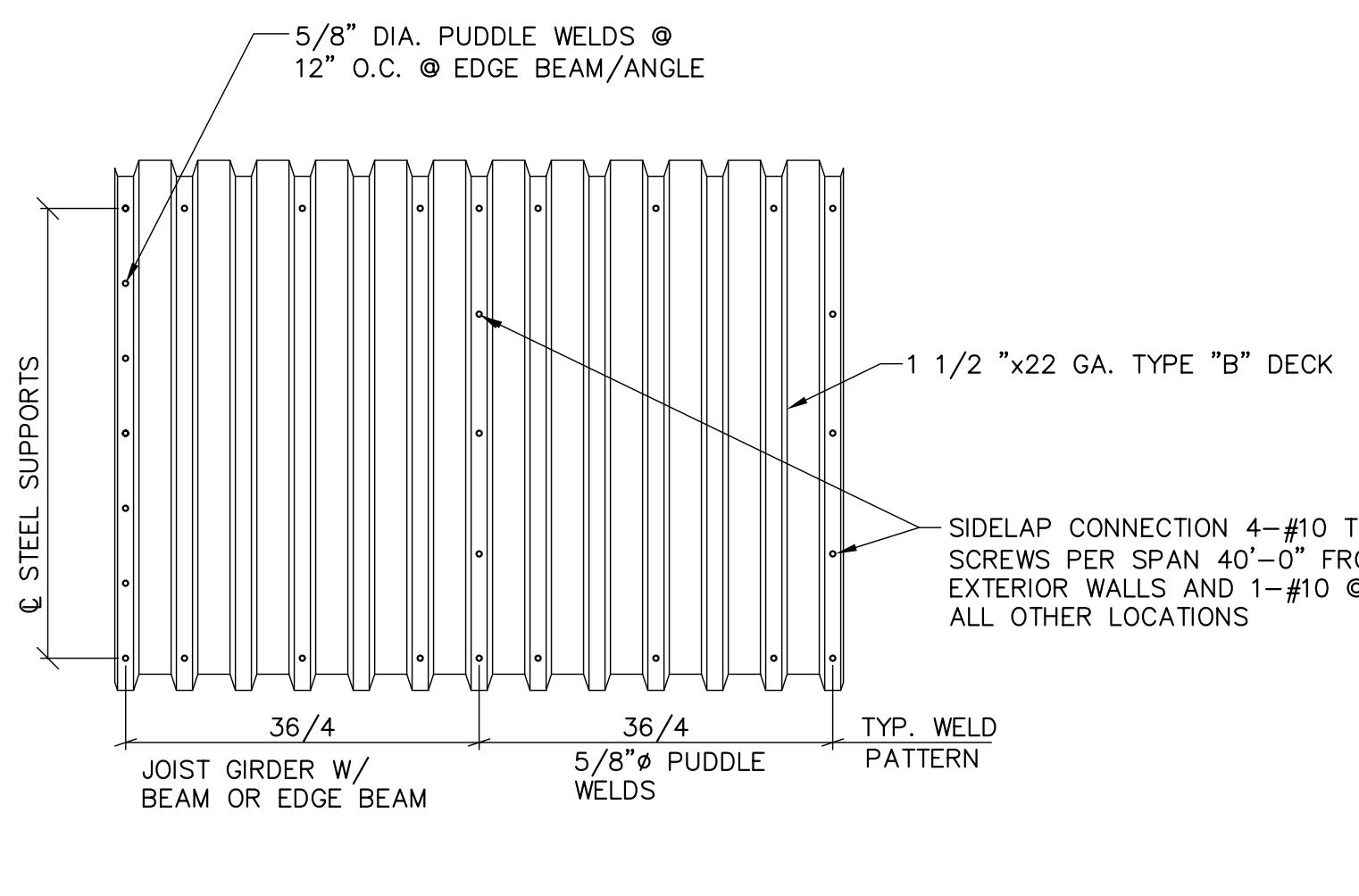
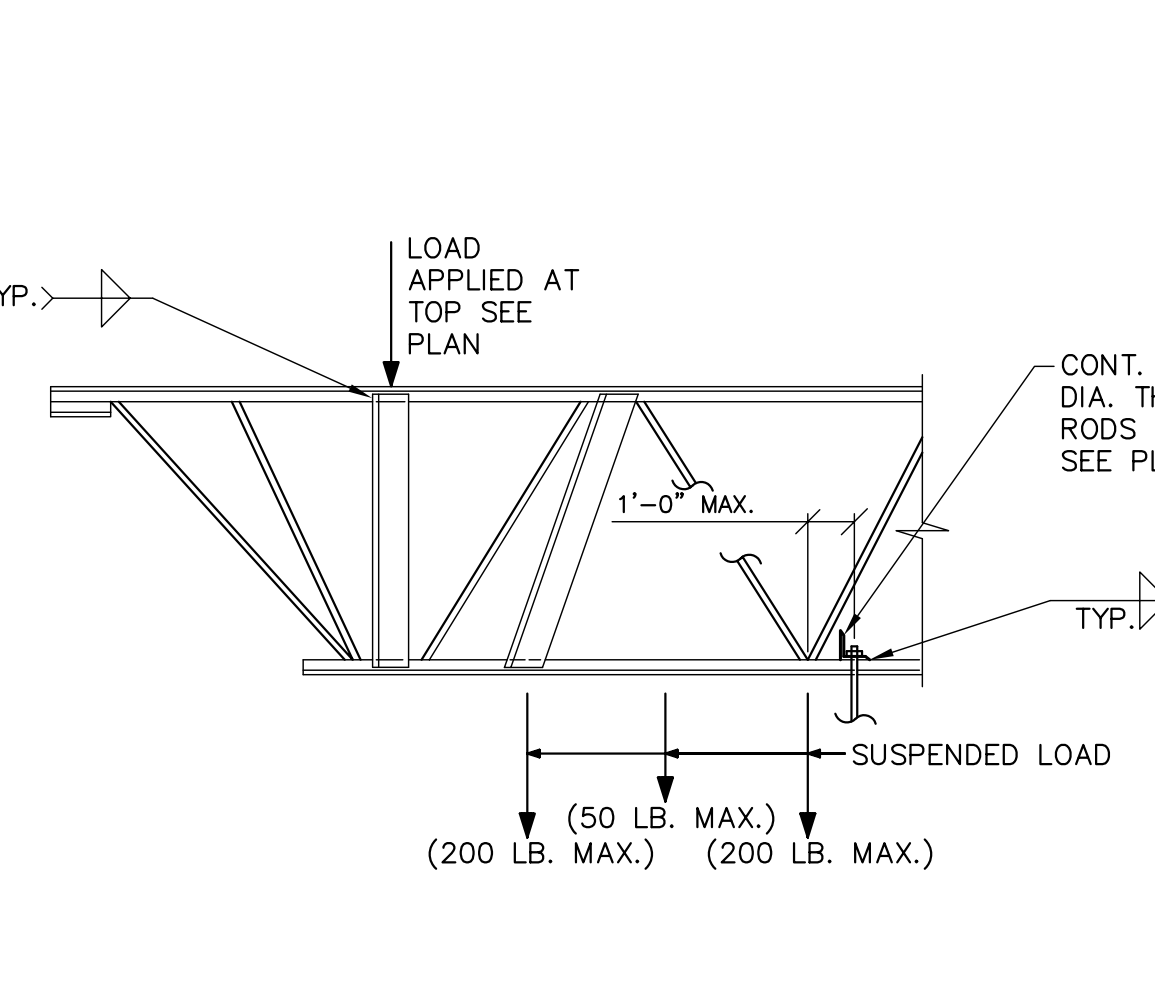
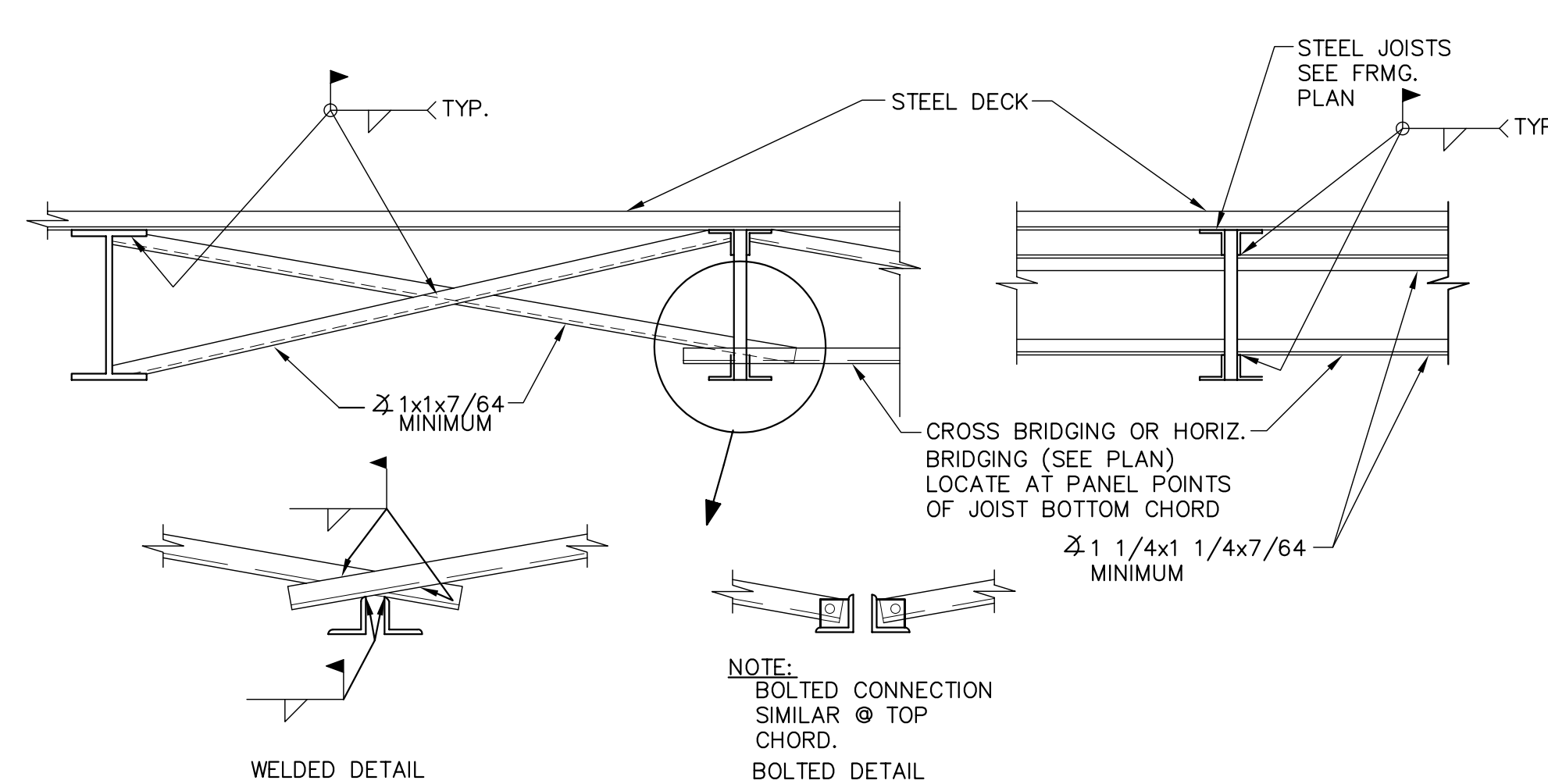


04/20/2004
S6
SHEET



NOTE: 1. PROVIDE 3/4" CAP PLATES FOR COLUMNS W/ JOIST GIRDERS AND BEAMS FRAMING OVER.
2. ALL CAP PLATES SHALL BE 1/2" LARGER THAN TUBE ALL AROUND UNLESS DETAILED OTHERWISE.
3. COAT COLUMN BASE PLATES AND ANCHOR BOLTS THAT ARE BELOW SLAB ON GRADE WITH ASPHALT PAINT BEFORE PLACING CONCRETE.
4. ALL BOLTS TO BE 3/4" DIA. A307 ANCHOR BOLTS UNLESS NOTED OTHERWISE.
5. BASE PLATES SUBJECT TO REVISION IN RELATION TO FOOTING.

allied
engineering, inc.
1100 W. BROAD ST. PORTLAND, ME 04102
TEL: 603.875.1100 FAX: 603.875.1101
WWW.ALLIED-ENG.COM

Hamford Food & Drug
RIVERSIDE STREET
PORTLAND, MAINE

MISC. STRUCTURAL DETAILS

PROJECT TITLE
SHEET TITLE
DATE 10/11/04
DESIGNER JCM
CHECKED KWH
WPA/ALLIED
LAW
PROJ MGR JCM
DATE 11 JUN 2004
© 2004 Hamford Bros Co

S6

proj no.