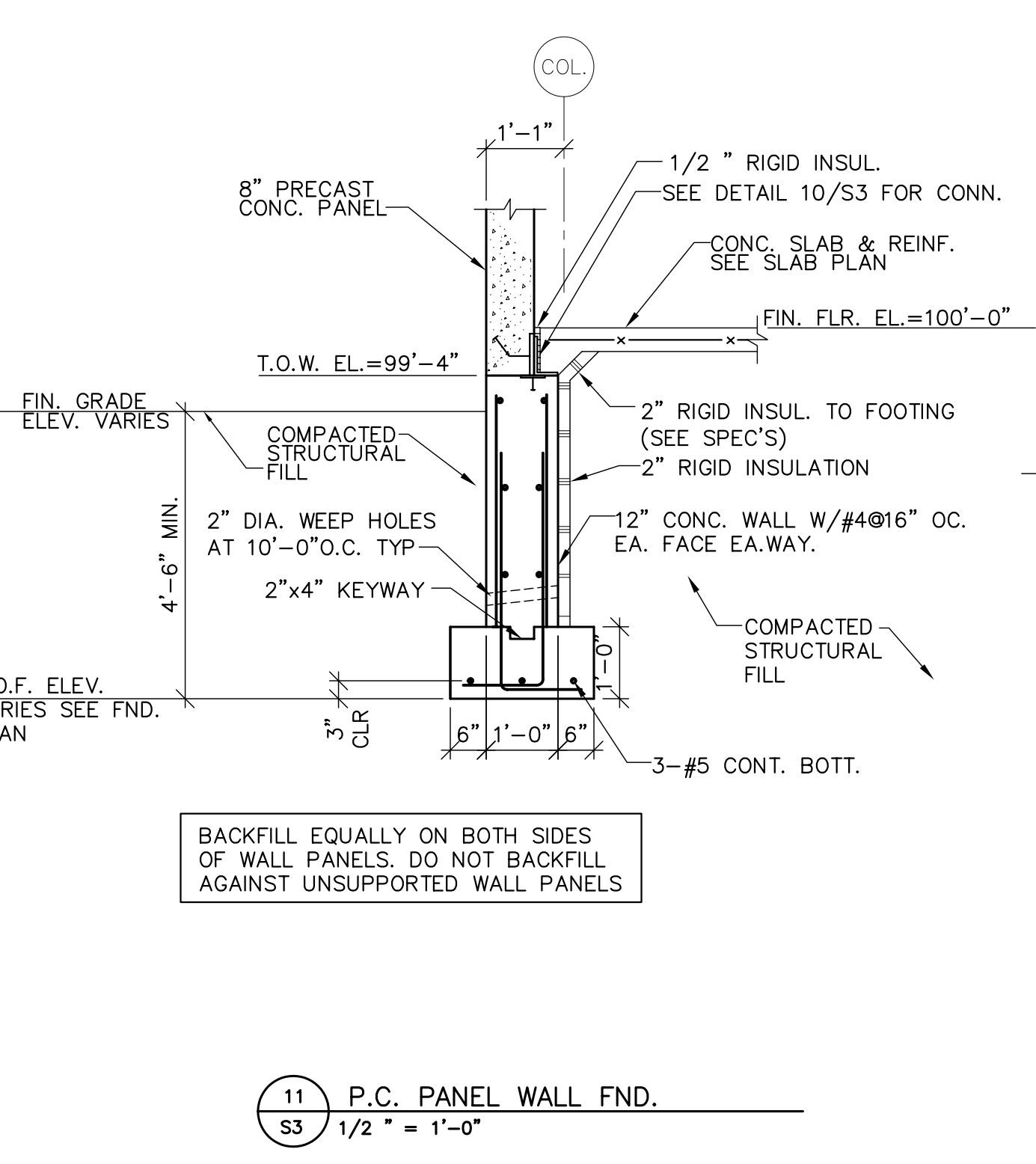
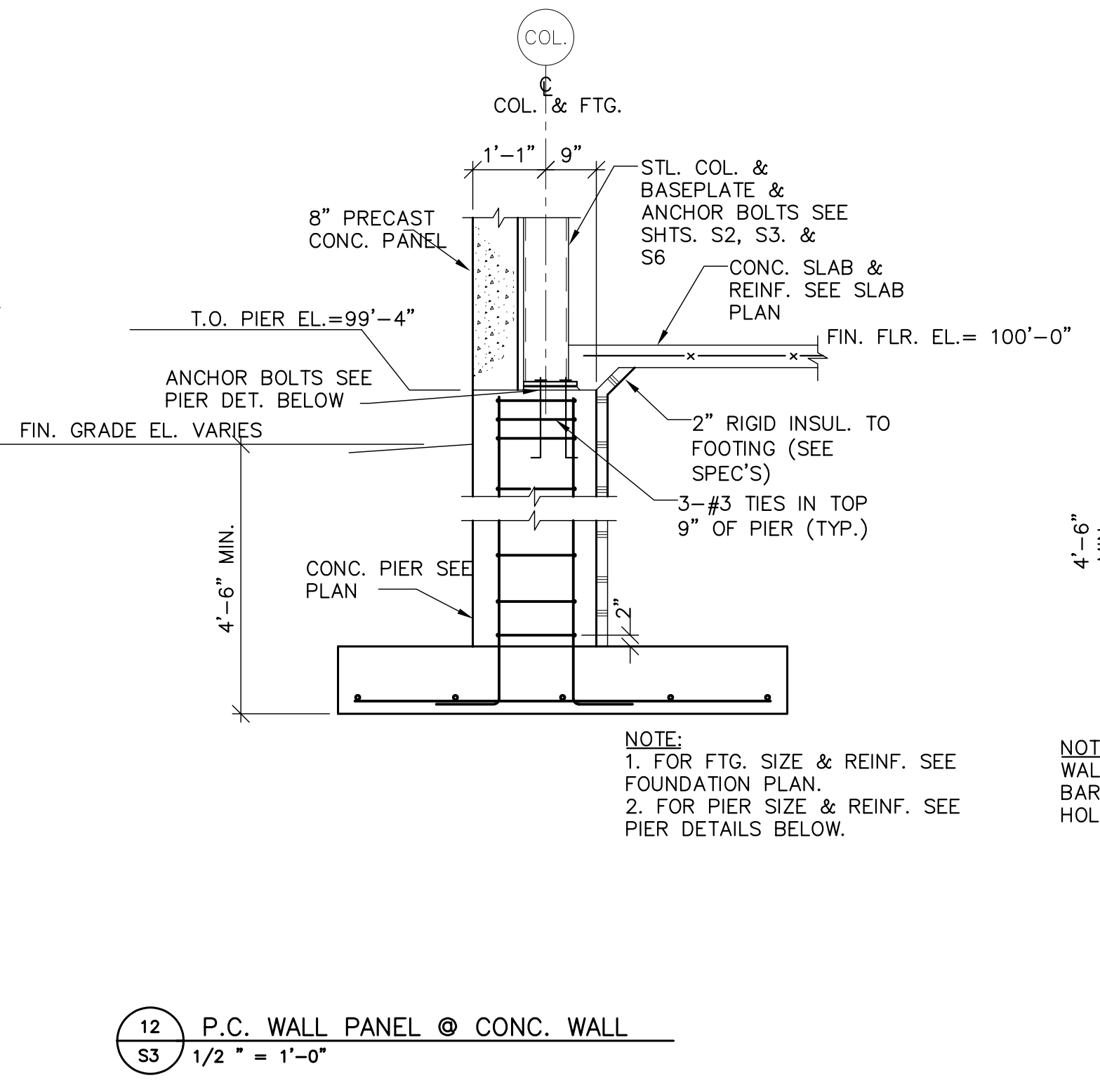


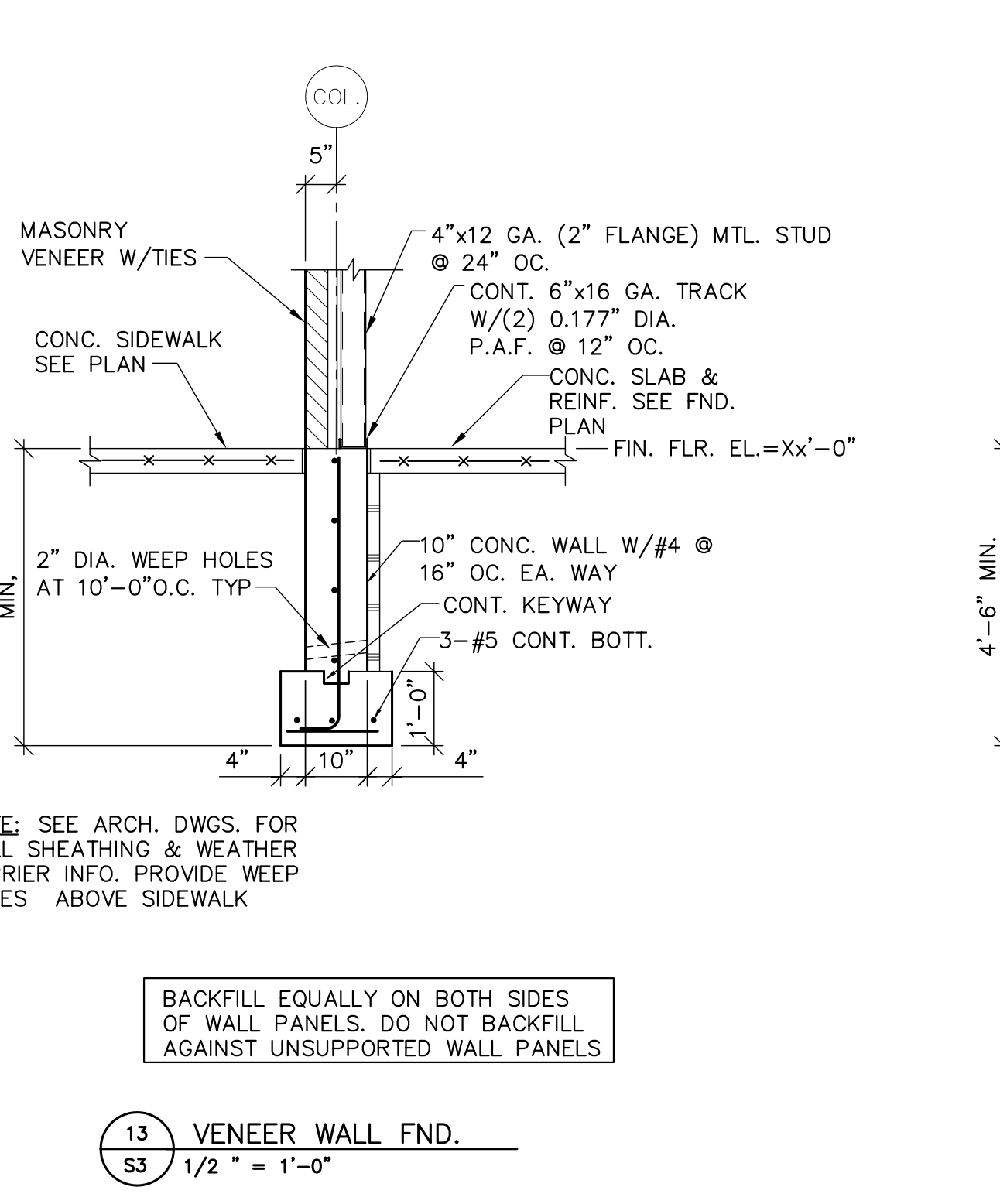
10 WALL FOUNDATION
S3 1/2" = 1'-0"



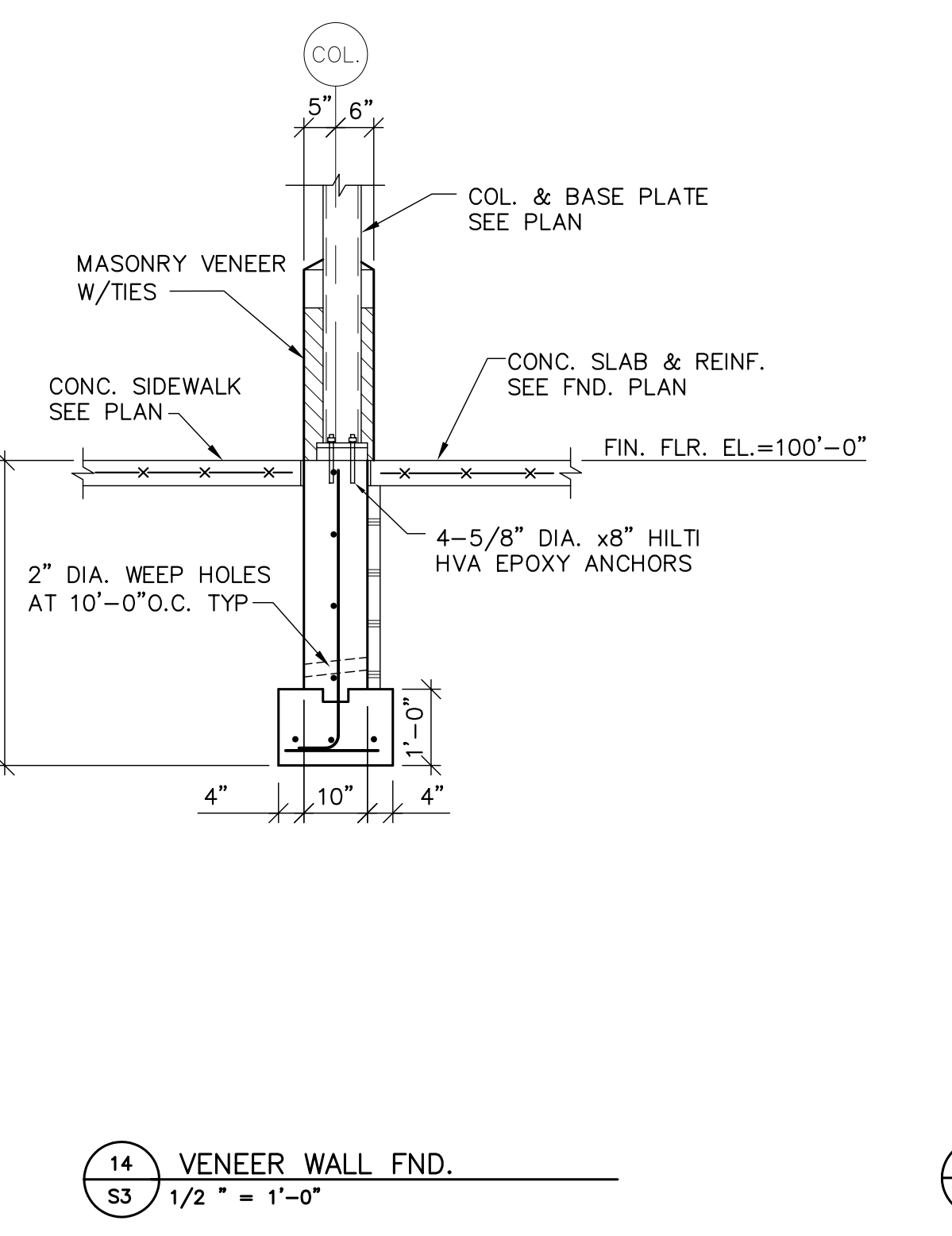
11 P.C. PANEL WALL FND.
S3 1/2" = 1'-0"



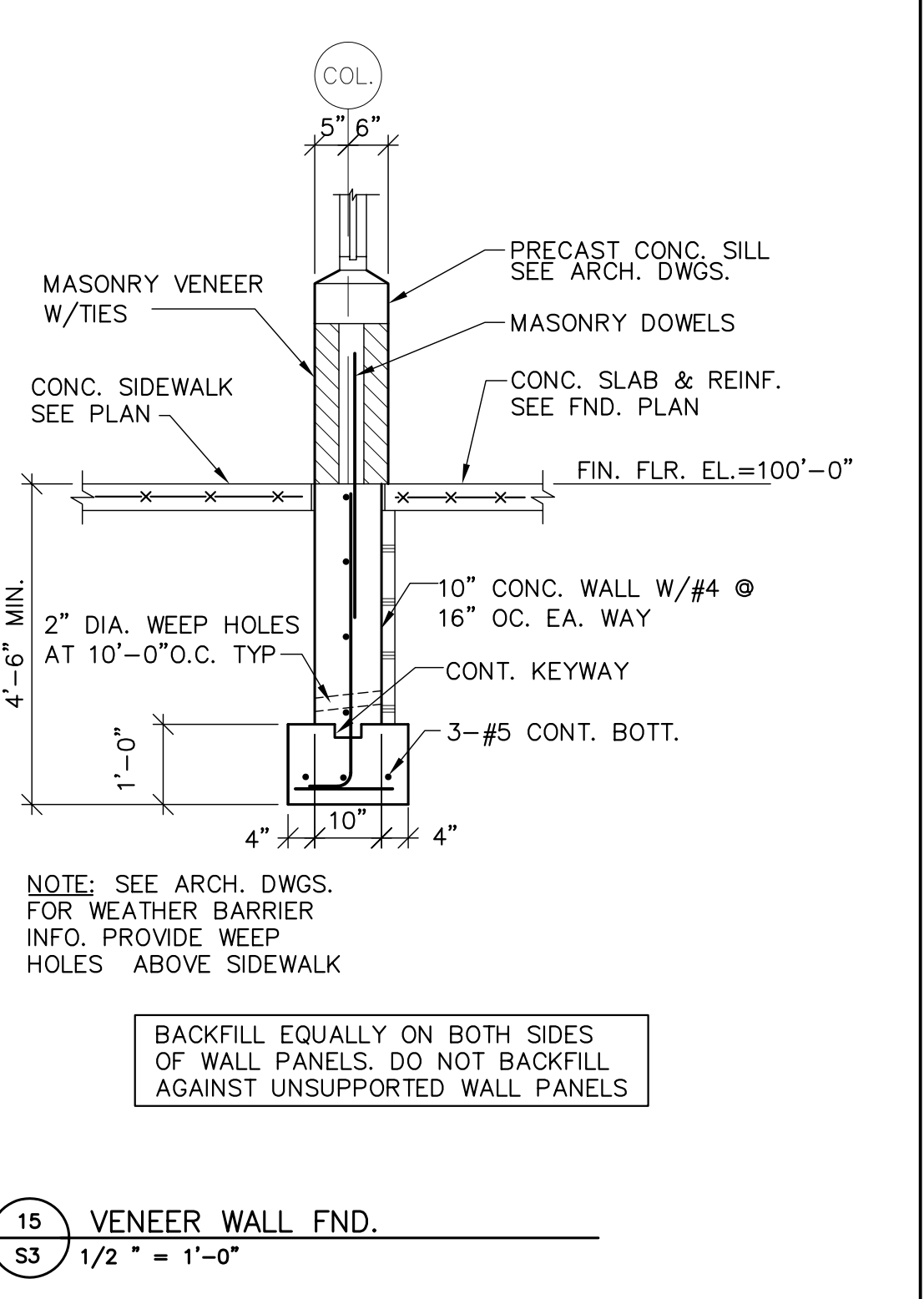
12 P.C. WALL PANEL @ CONC. WALL
S3 1/2" = 1'-0"



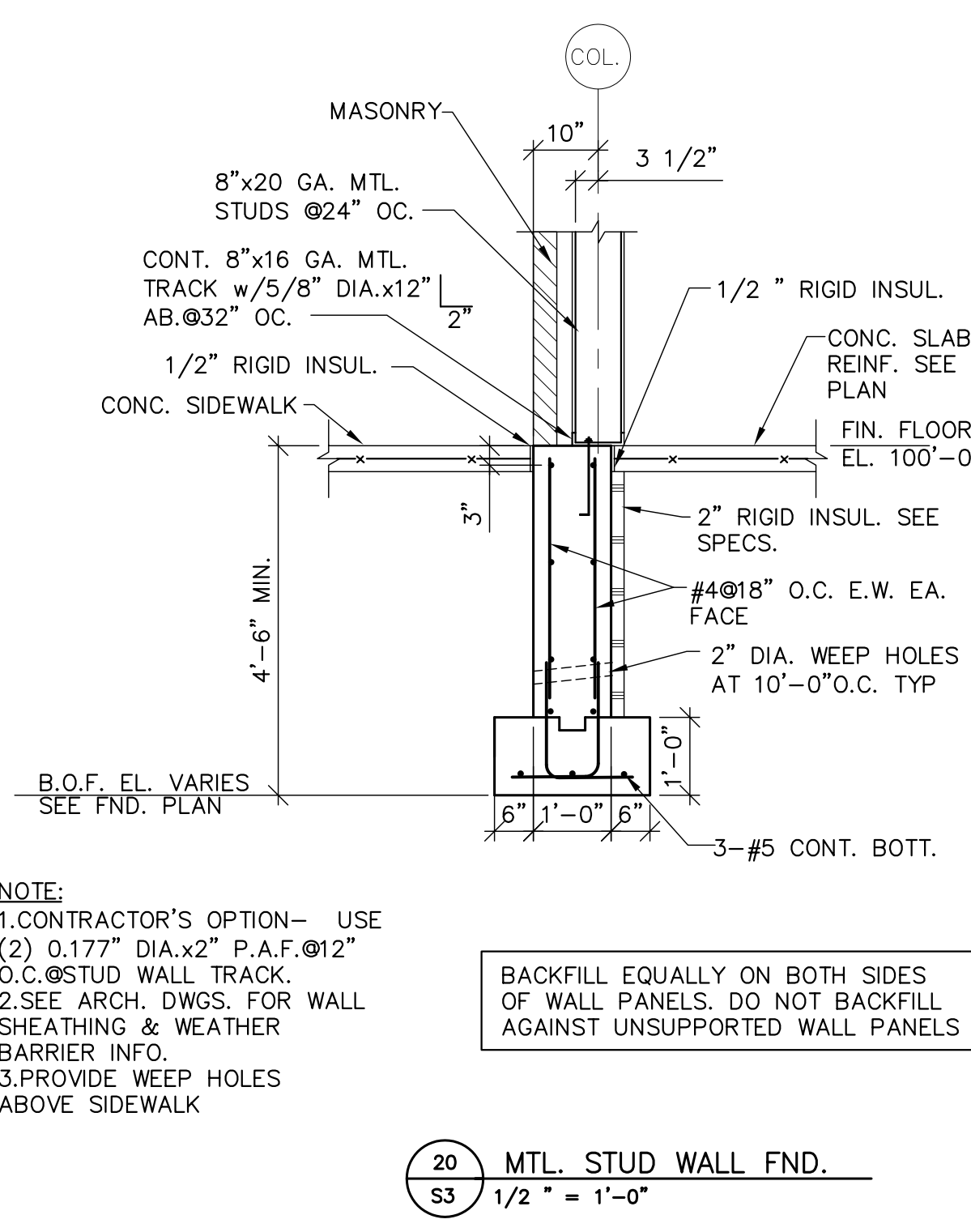
13 VENEER WALL FND.
S3 1/2" = 1'-0"



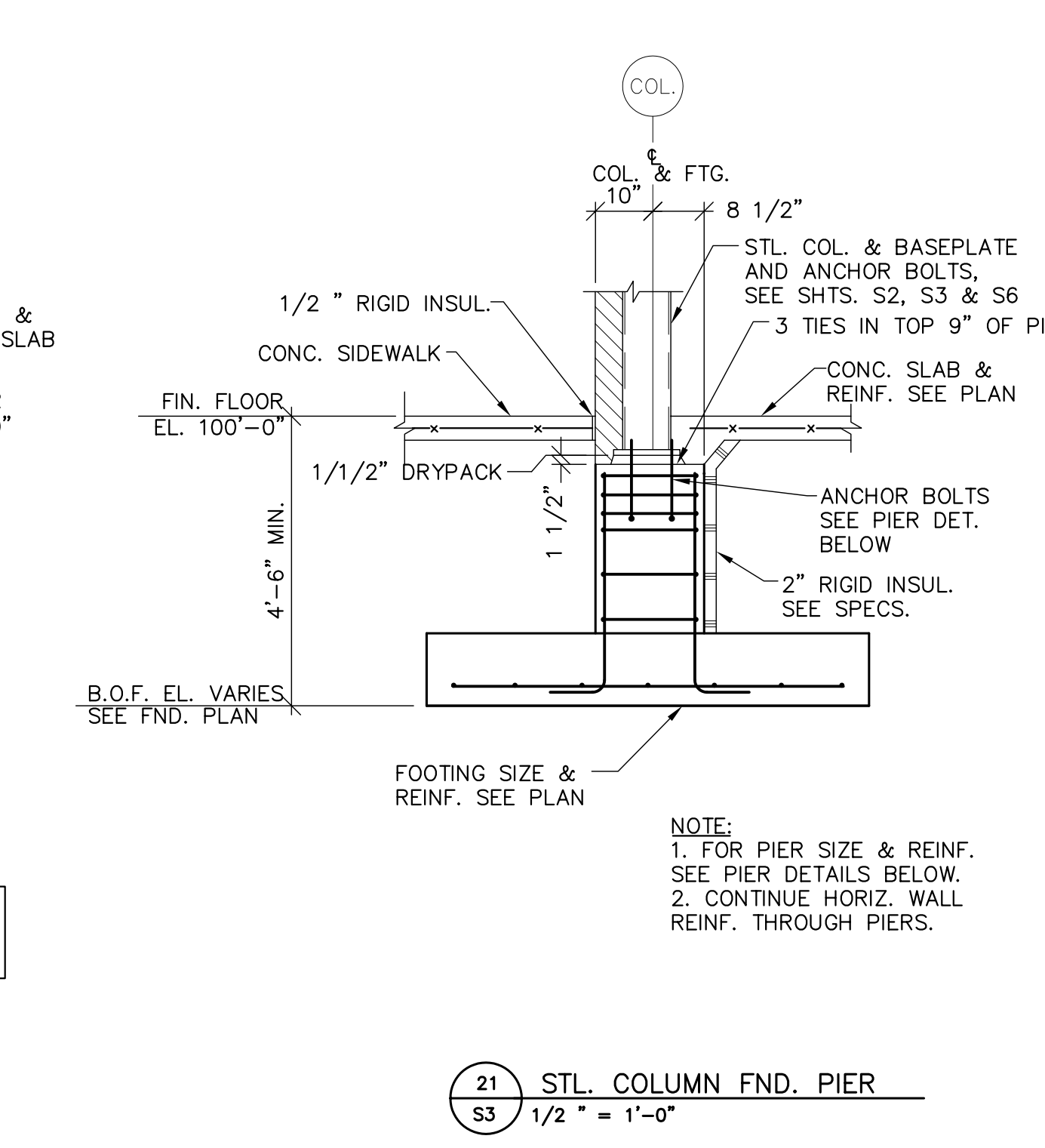
14 VENEER WALL FND.
S3 1/2" = 1'-0"



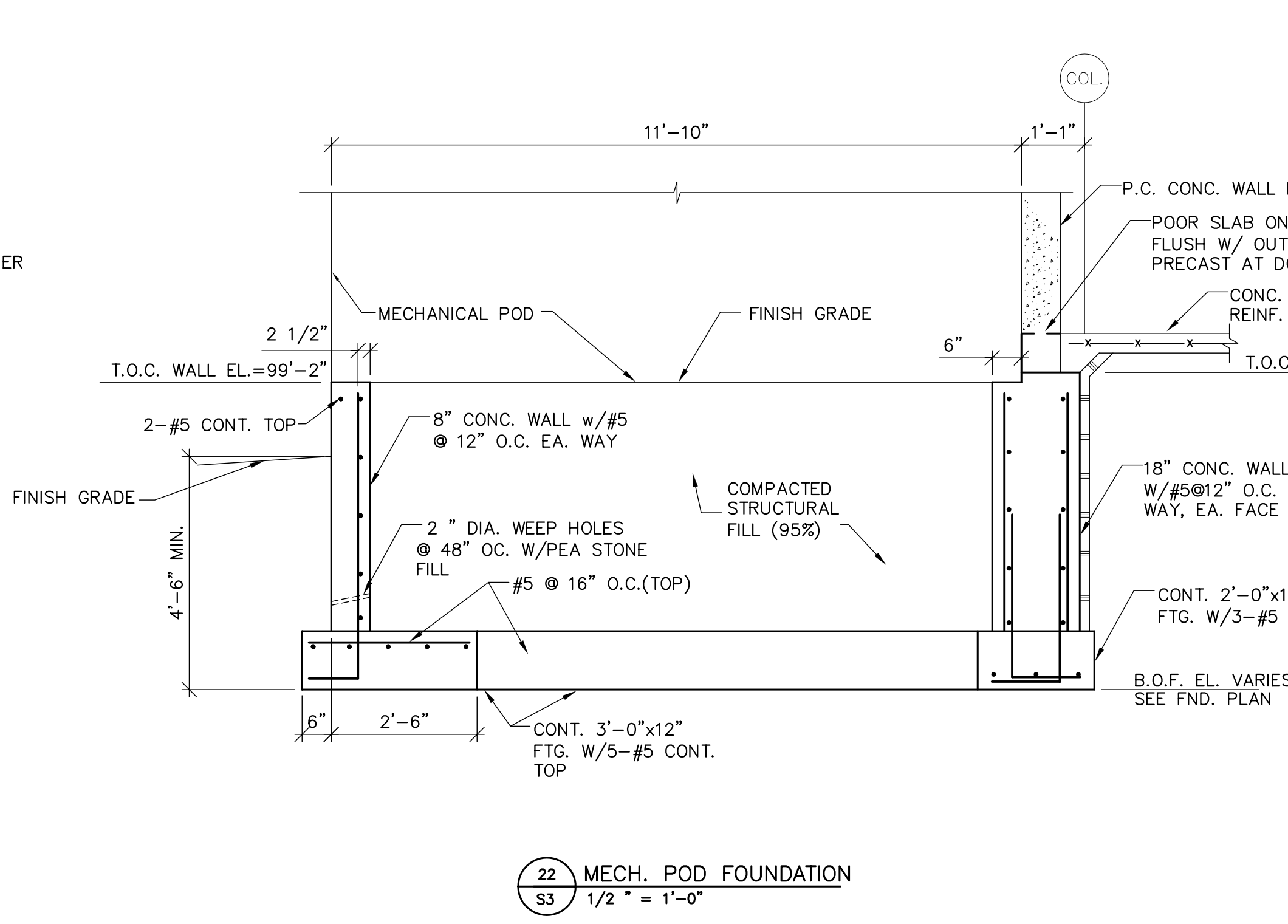
15 VENEER WALL FND.
S3 1/2" = 1'-0"



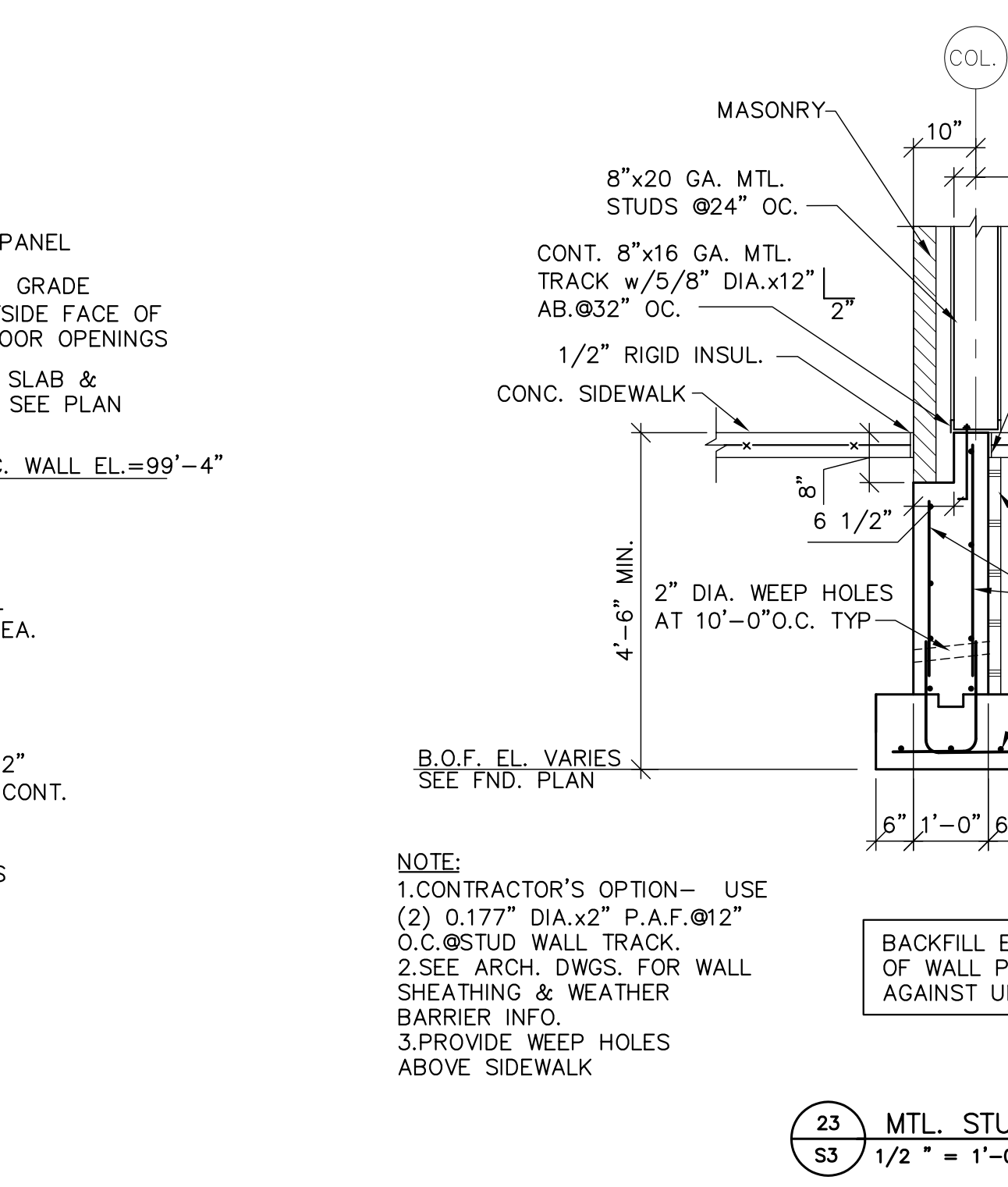
20 MTL. STUD WALL FND.
S3 1/2" = 1'-0"



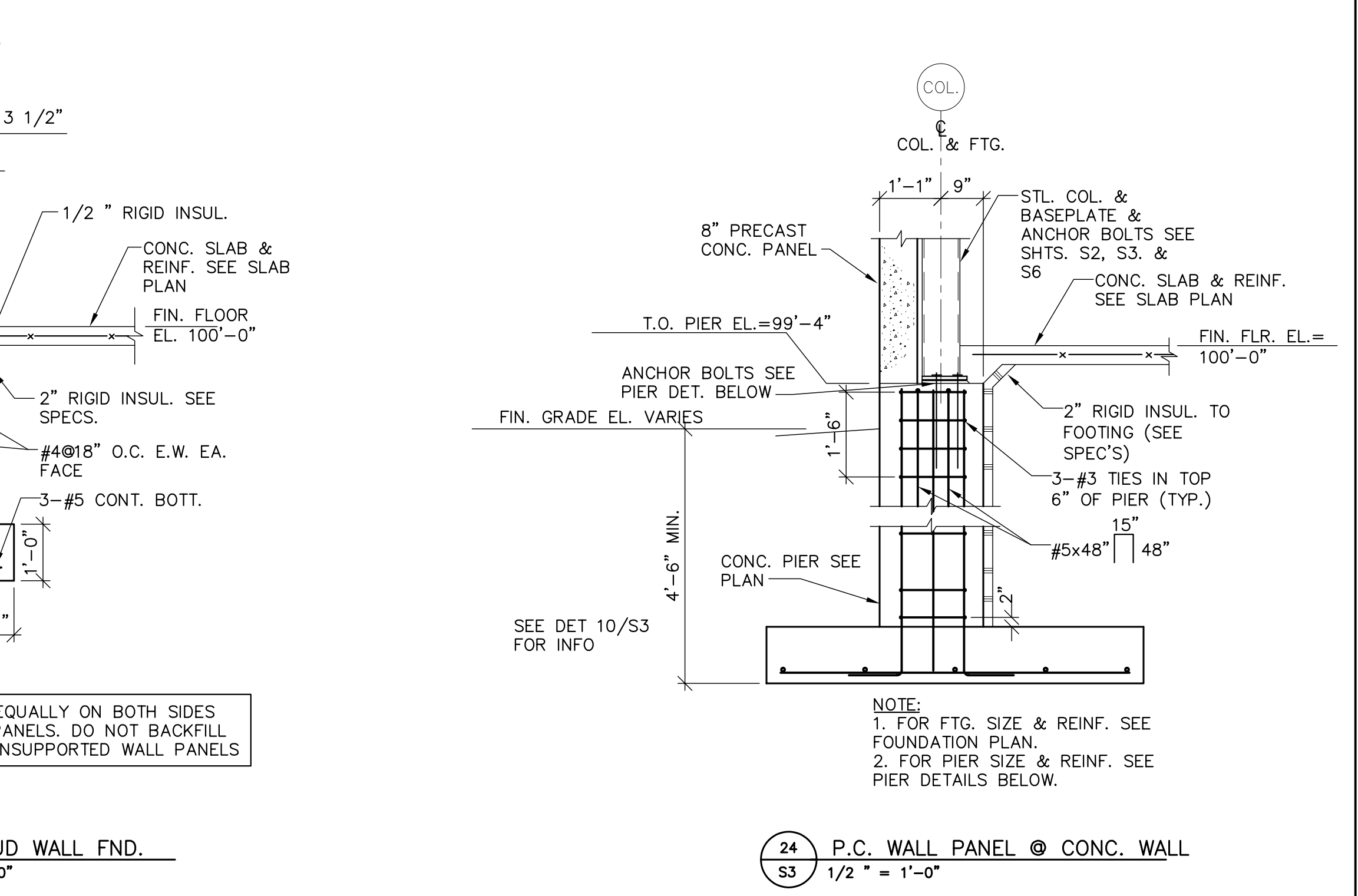
21 STL. COLUMN FND. PIER
S3 1/2" = 1'-0"



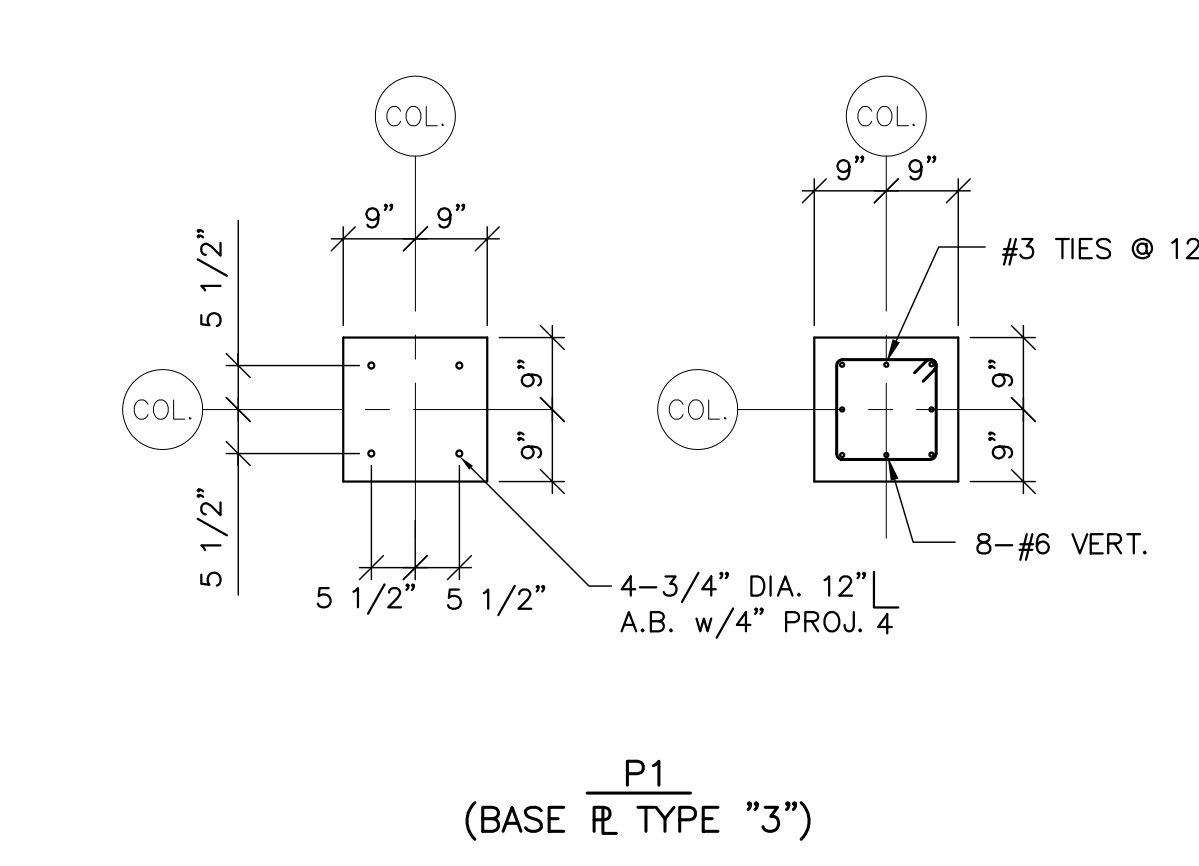
22 MECH. POD FOUNDATION
S3 1/2" = 1'-0"



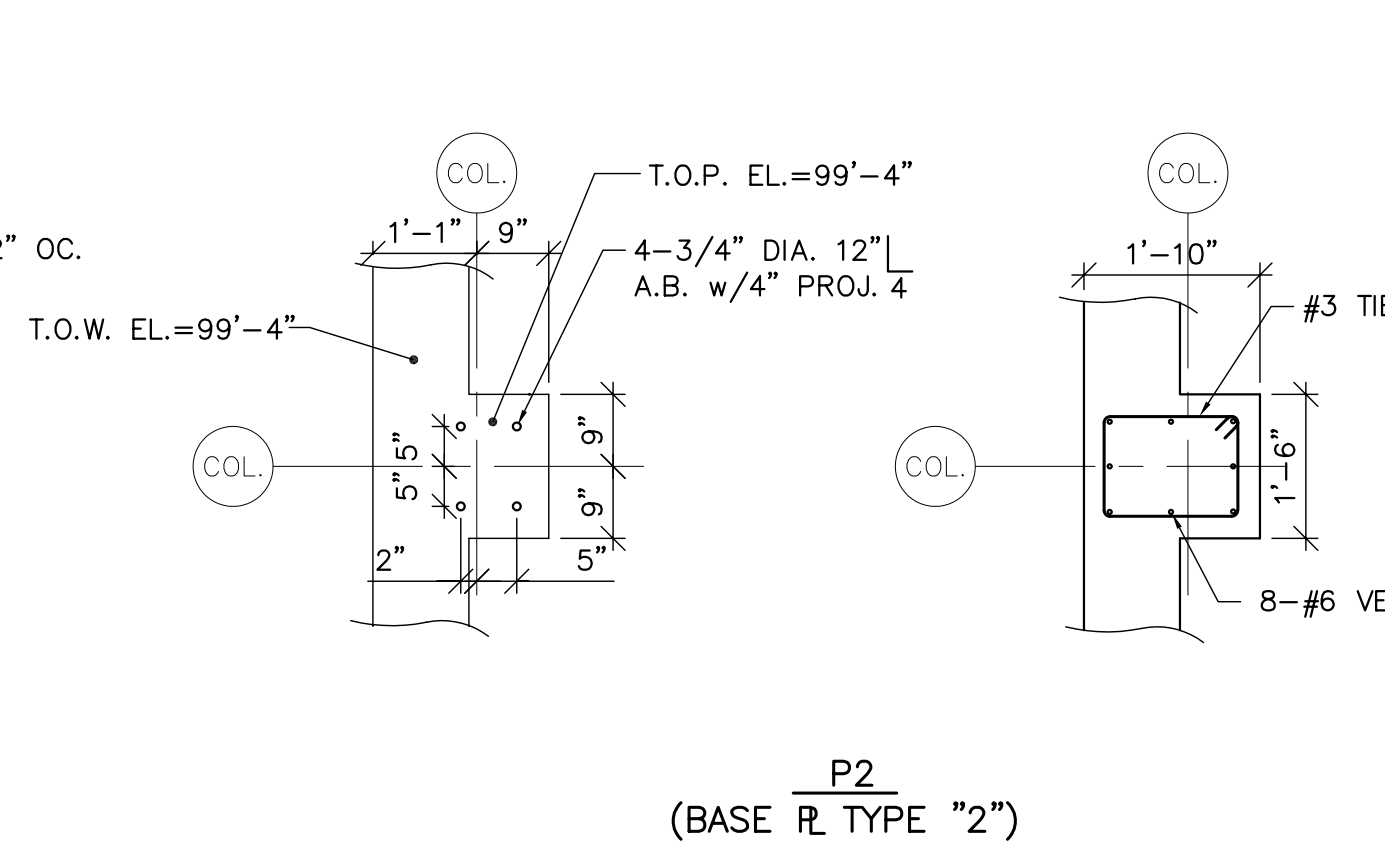
23 MTL. STUD WALL FND.
S3 1/2" = 1'-0"



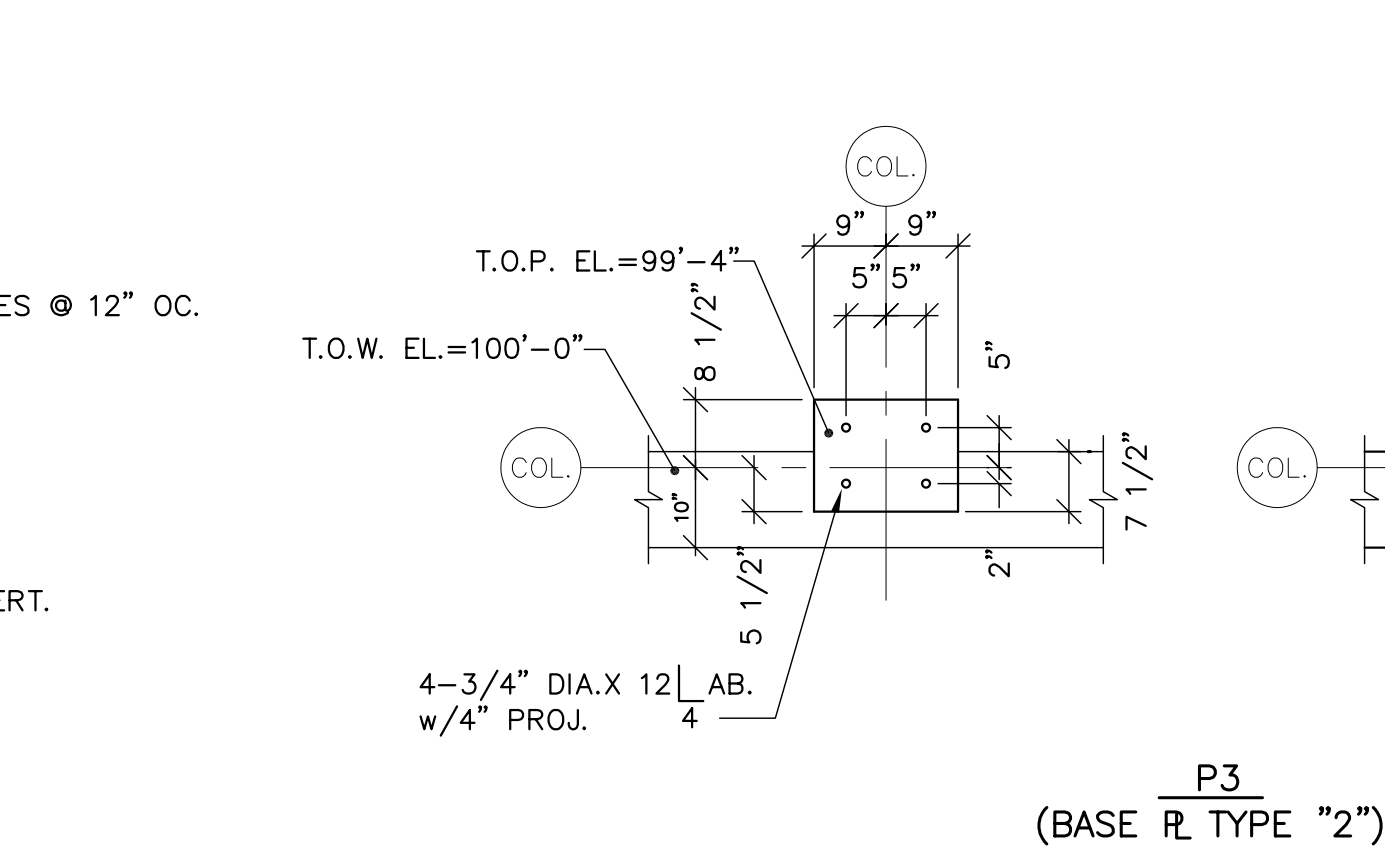
24 P.C. WALL PANEL @ CONC. WALL
S3 1/2" = 1'-0"



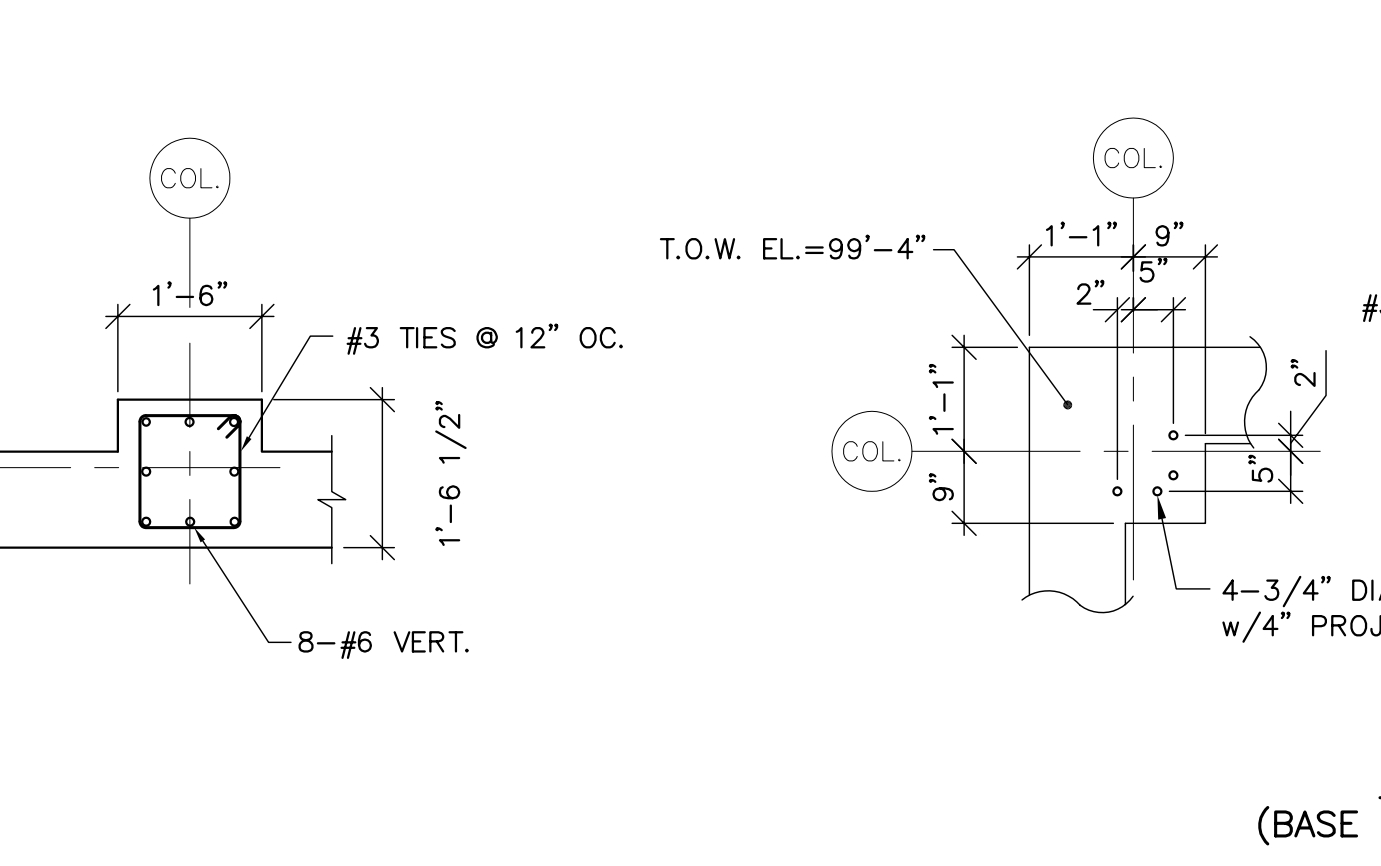
P1 (BASE R TYPE '3')



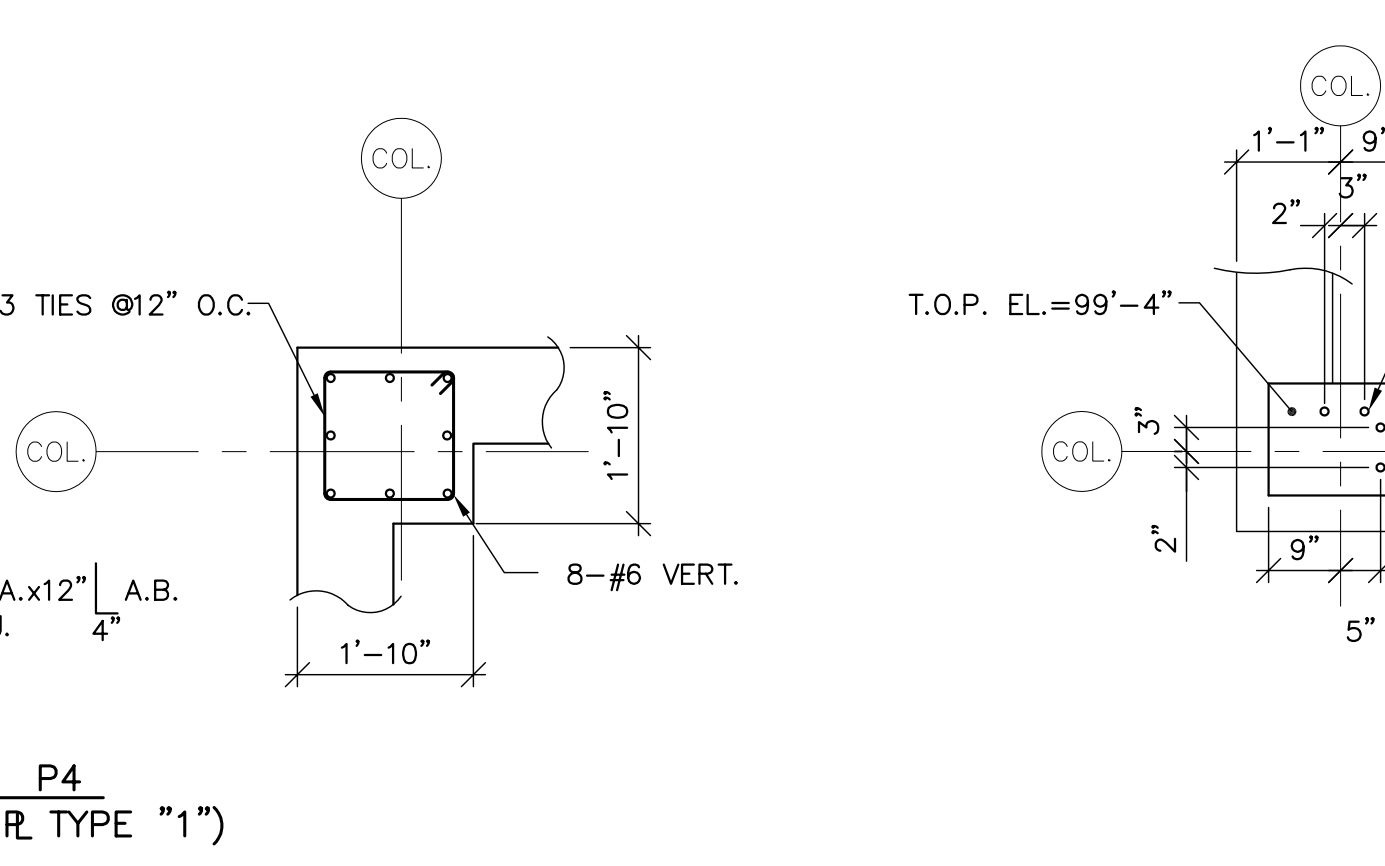
P2 (BASE R TYPE '2')



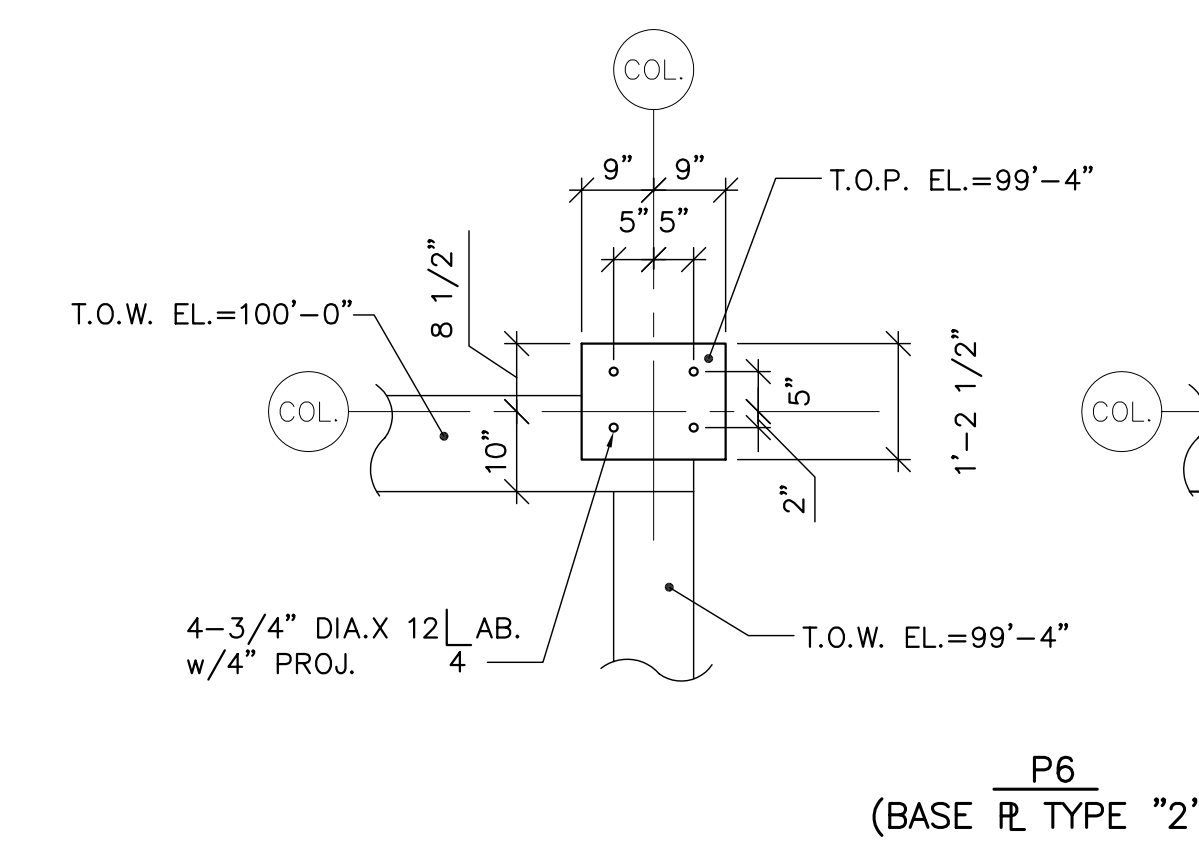
P3 (BASE R TYPE '2')



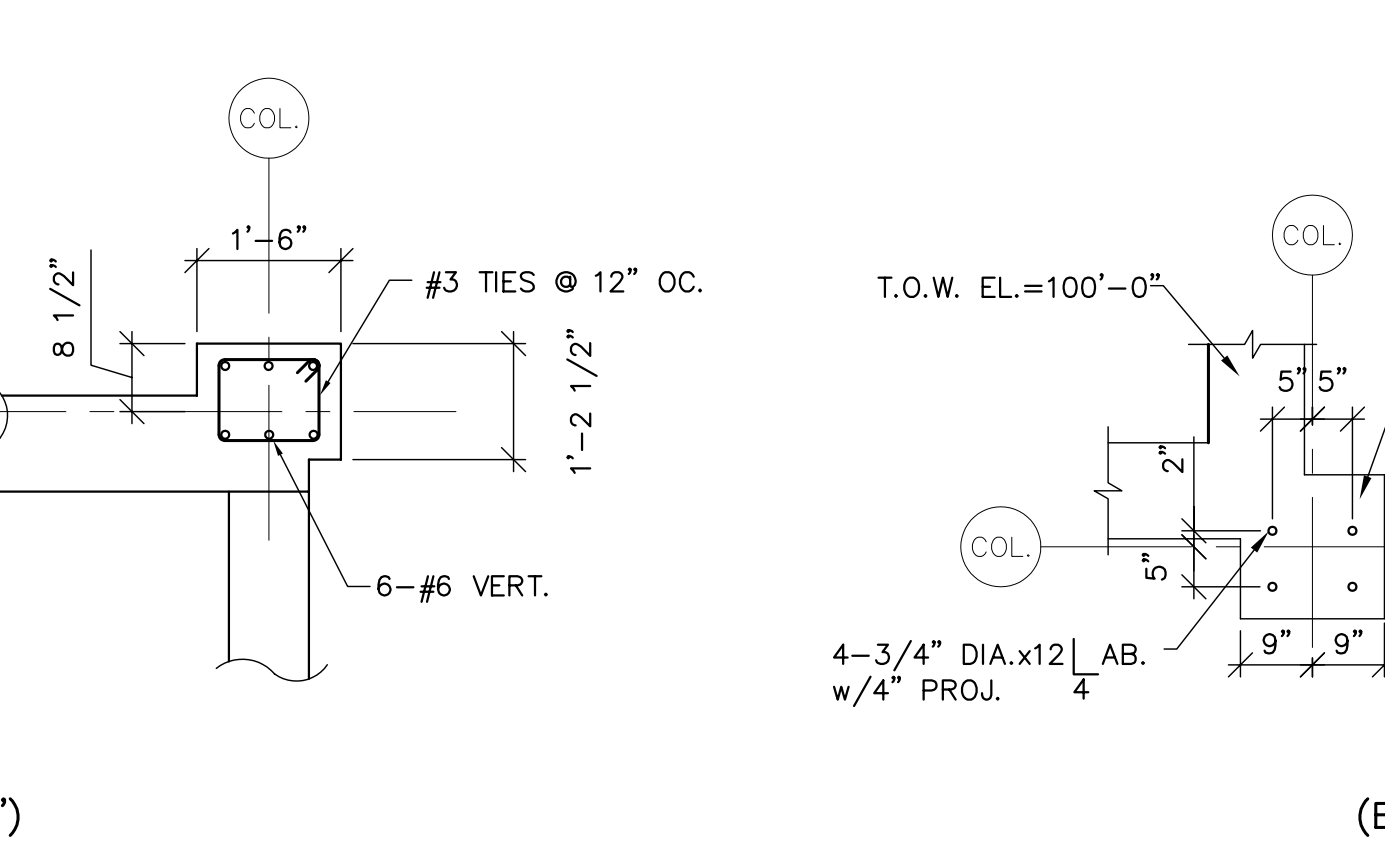
P4 (BASE R TYPE '1')



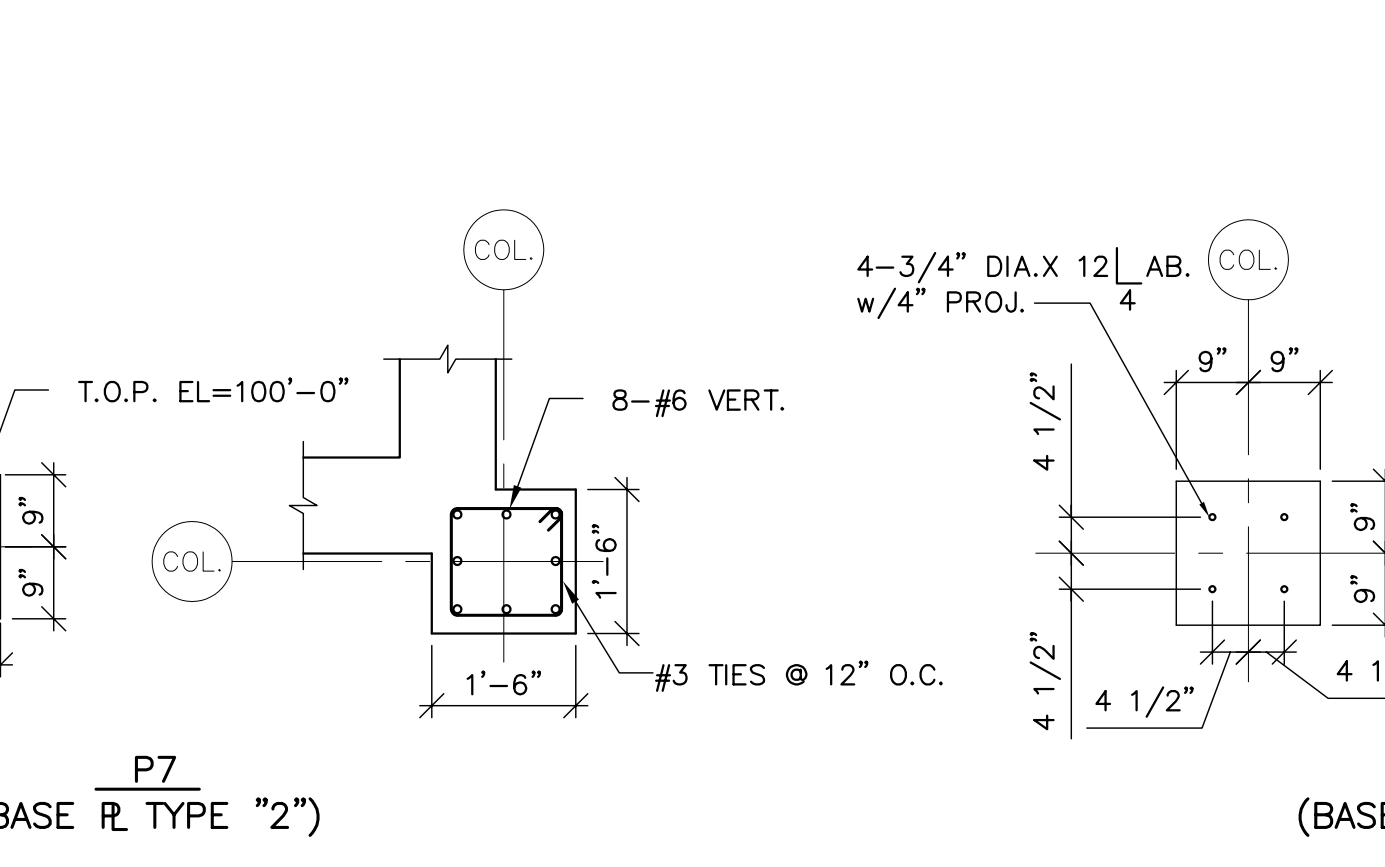
P5 (BASE R TYPE '1')



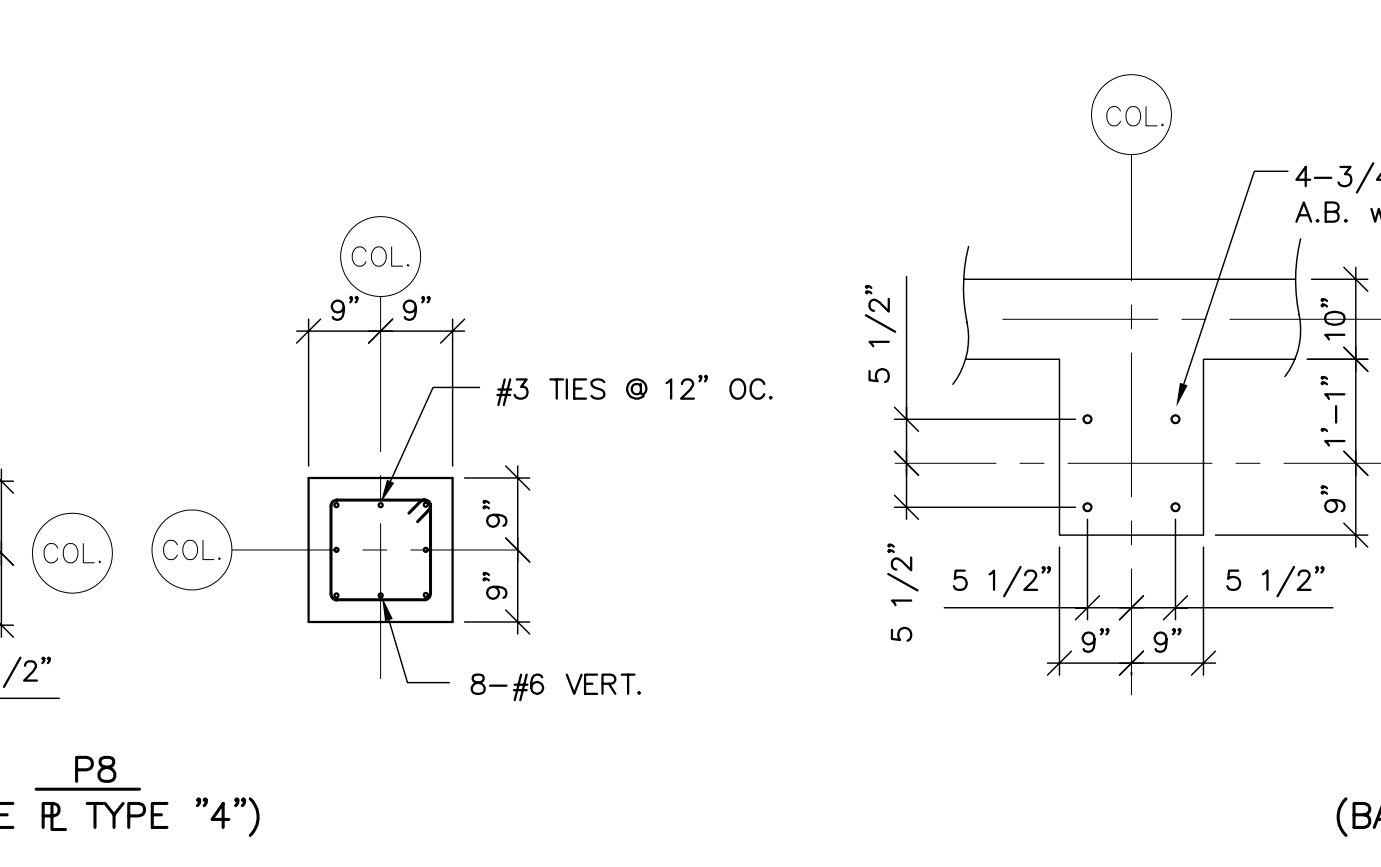
P6 (BASE R TYPE '2')



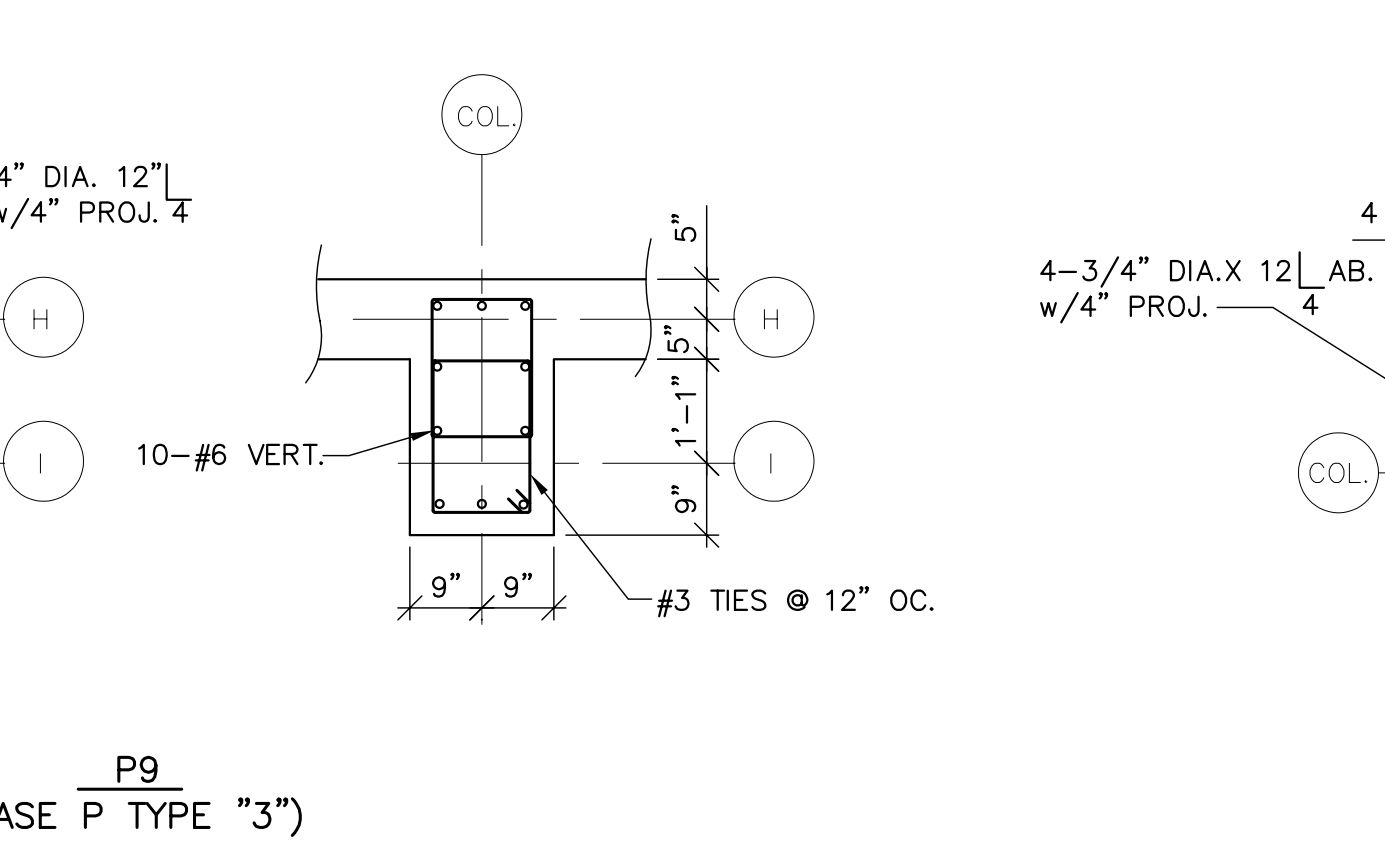
P7 (BASE R TYPE '2')



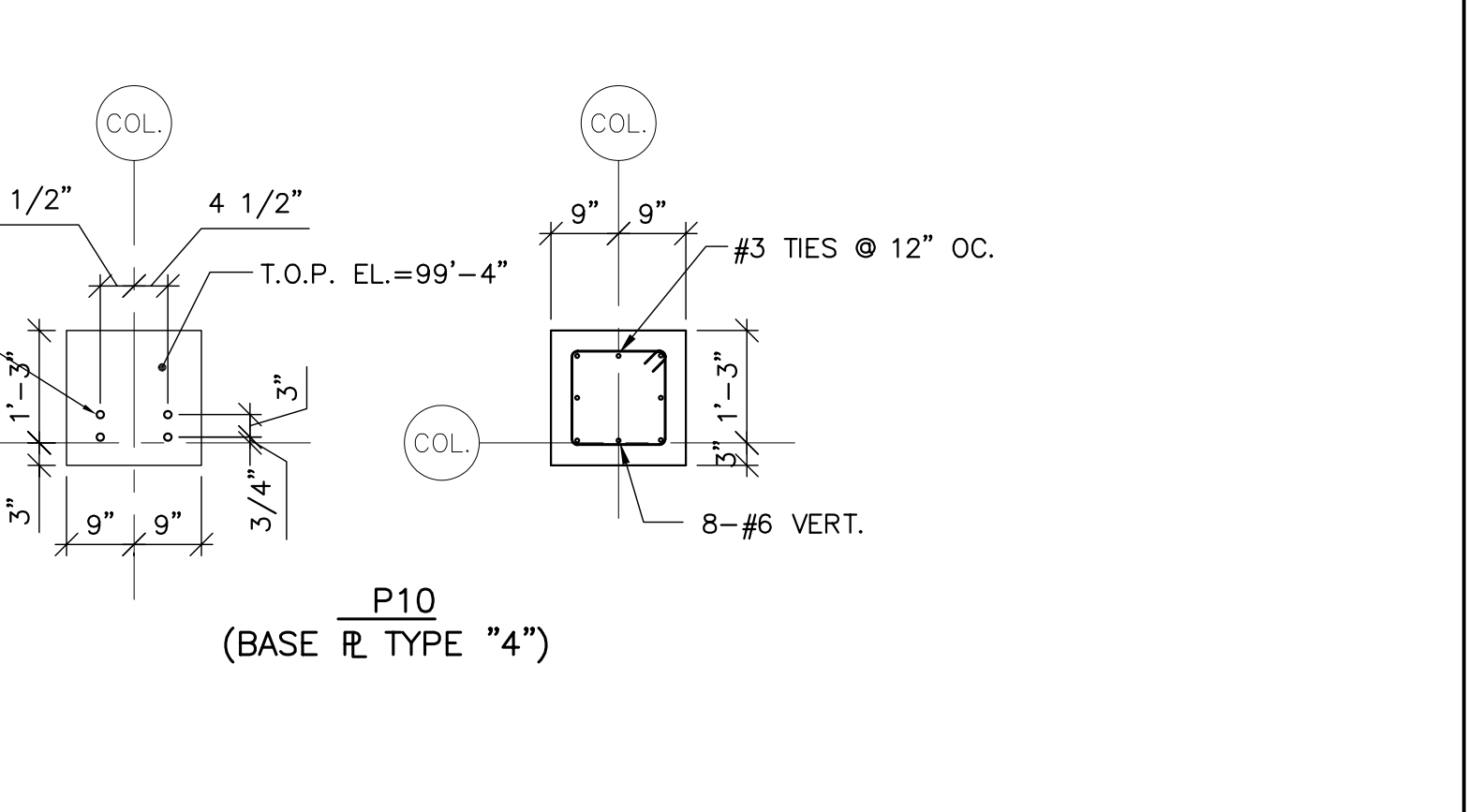
P8 (BASE R TYPE '4')



P9 (BASE P TYPE '3')



P10 (BASE R TYPE '4')



P11 (BASE R TYPE '2')

PIER/ANCHOR BOLT DETAILS
1/2" = 1'-0"

- NOTE:
- 1. FOUNDATION WALL REINFORCING NOT SHOWN FOR CLARITY.
- 2. T.O.P. INDICATES TOP OF PIER.
- 3. MASONRY DOWELS NOT SHOWN.

| NO. | REVISIONS | DATE | BY |
|-----|-----------|------|----|
| | | | |

| NO. | REVISIONS | DATE | BY |
|-----|-----------|------|----|
| | | | |

| NO. | REVISIONS | DATE | BY |
|-----|-----------|------|----|
| | | | |

| NO. | REVISIONS | DATE | BY |
|-----|-----------|------|----|
| | | | |

| NO. | REVISIONS | DATE | BY |
|-----|-----------|------|----|
| | | | |

| NO. | REVISIONS | DATE | BY |
|-----|-----------|------|----|
| | | | |

| NO. | REVISIONS | DATE | BY |
|-----|-----------|------|----|
| | | | |

| NO. | REVISIONS | DATE | BY |
|-----|-----------|------|----|
| | | | |

PROJECT TITLE
**Hannaford Food & Drug
RIVERSIDE STREET
PORTLAND, MAINE**

FOUNDATION DETAILS

| SEE PLAN | JCM | KWH | WPF/ALLIED | LAW |
|----------|-----|-----|------------|-----|
| | | | | |