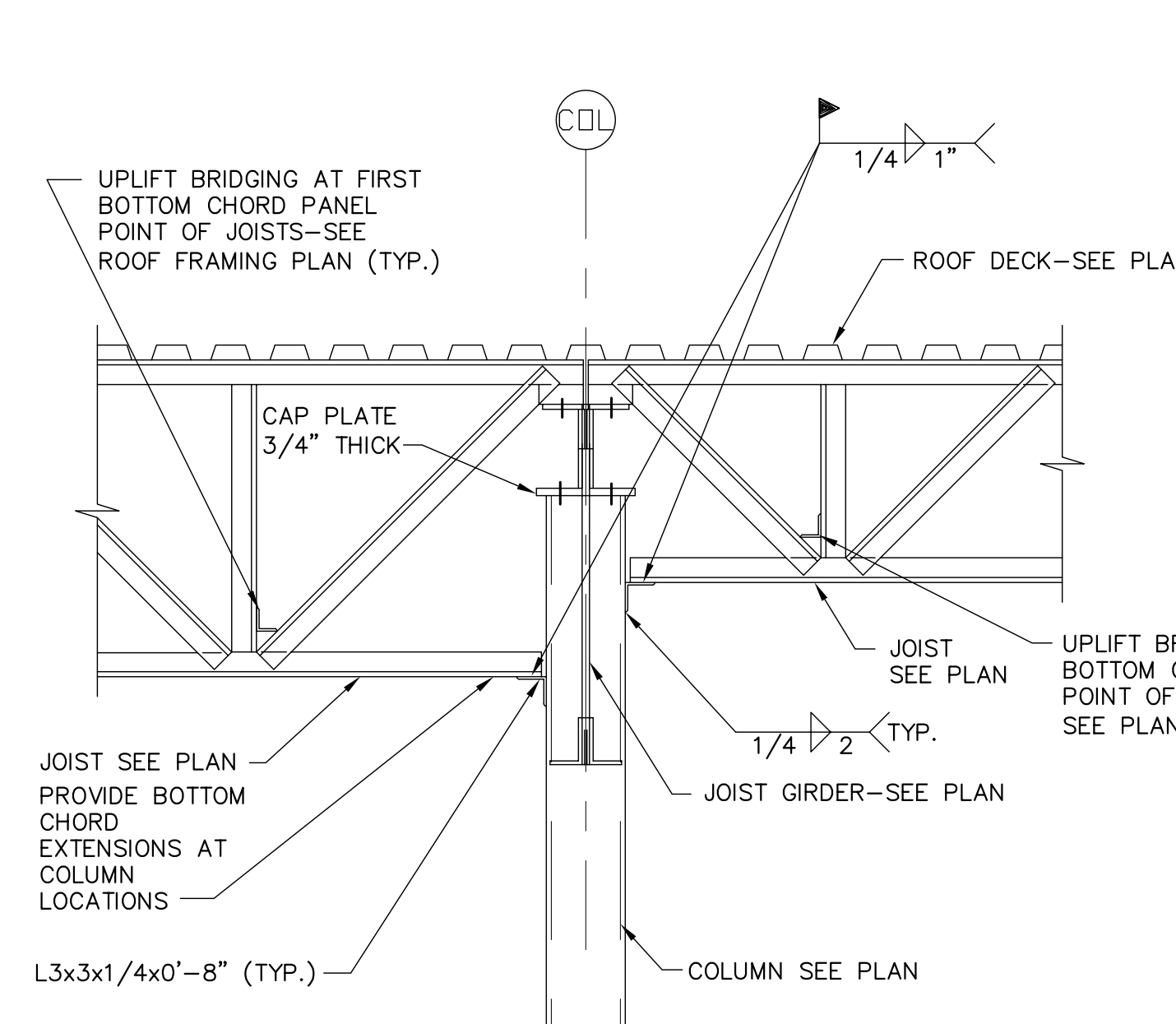
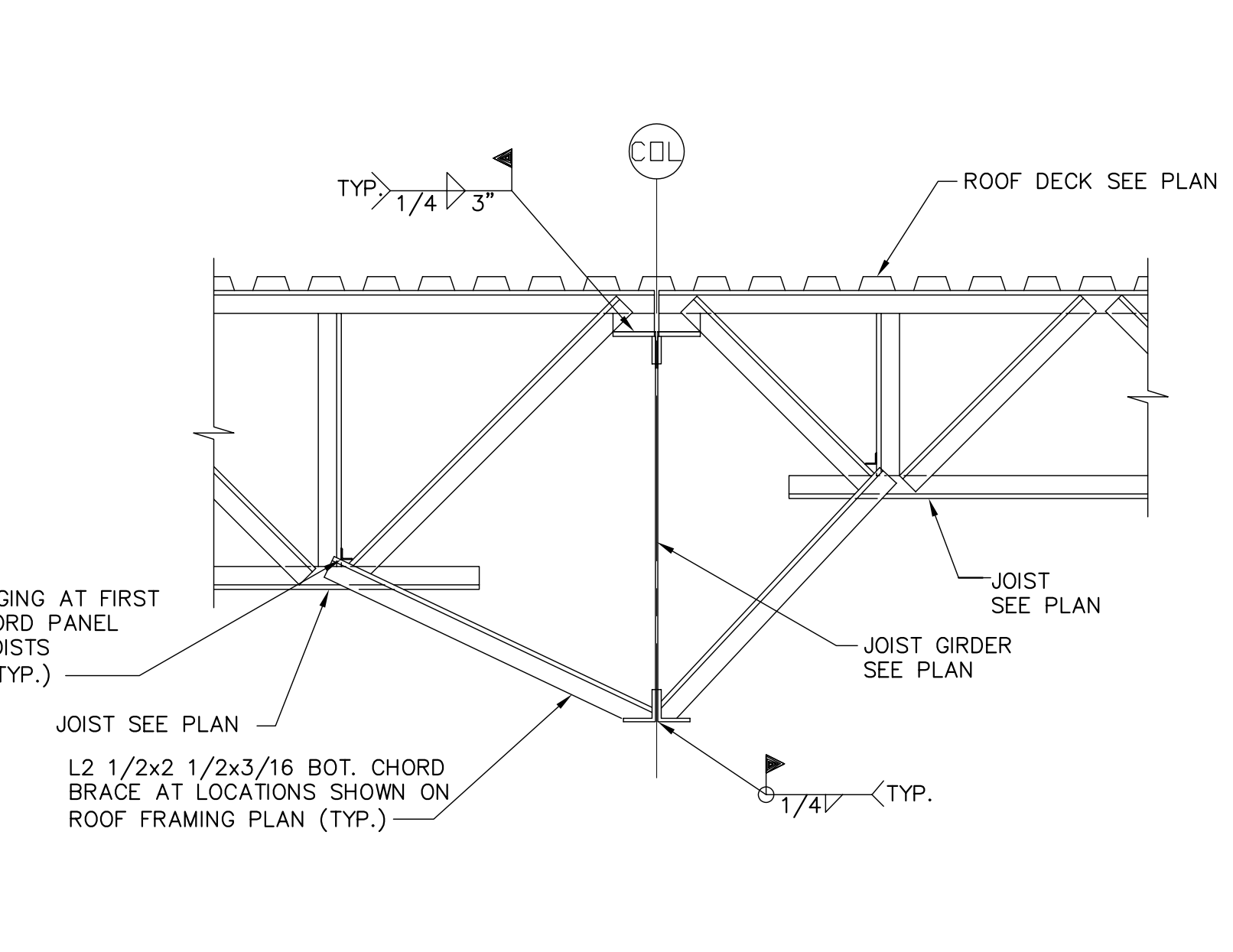


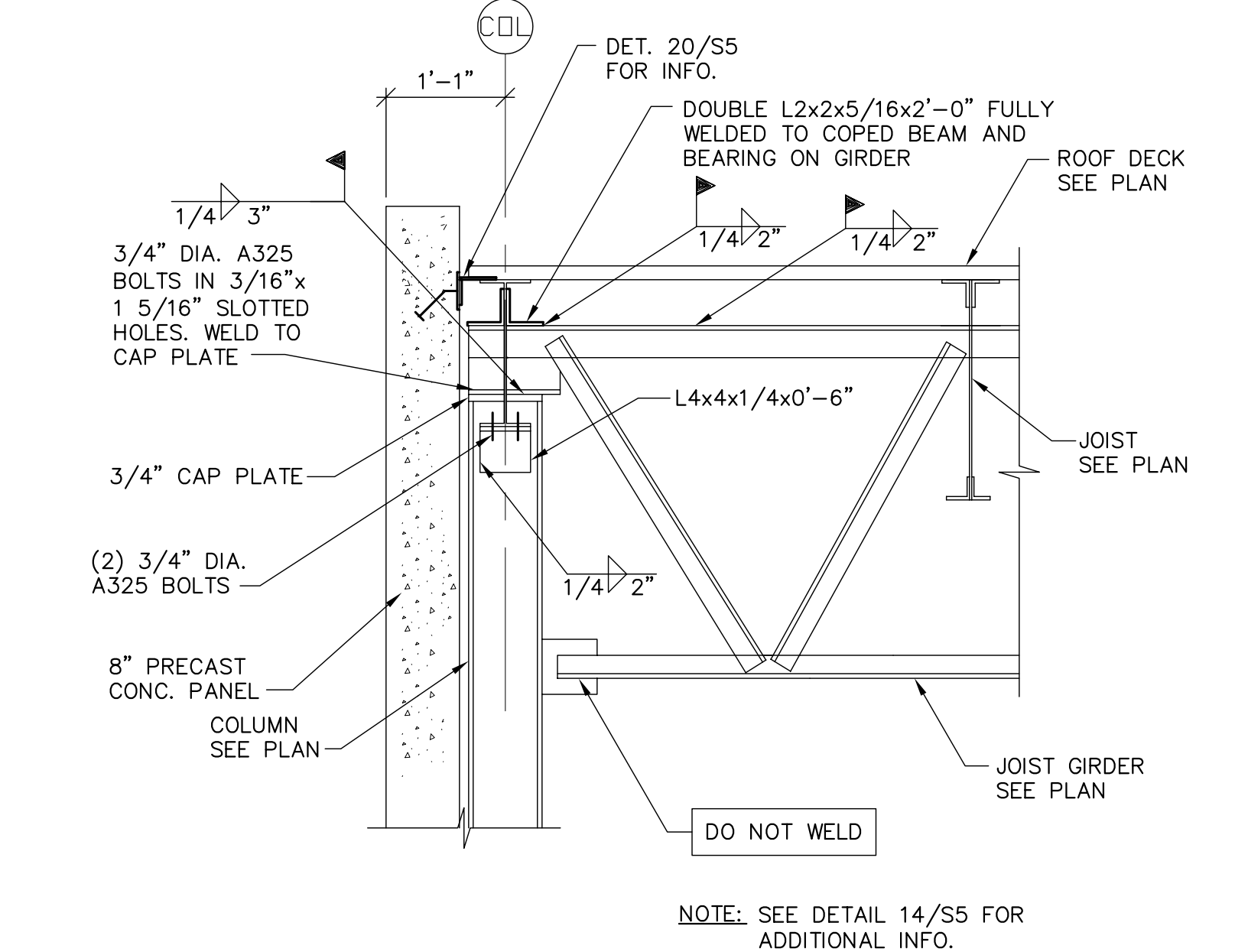
10 JOIST GIRDER & COLUMN  
SS 3/4" = 1'-0"



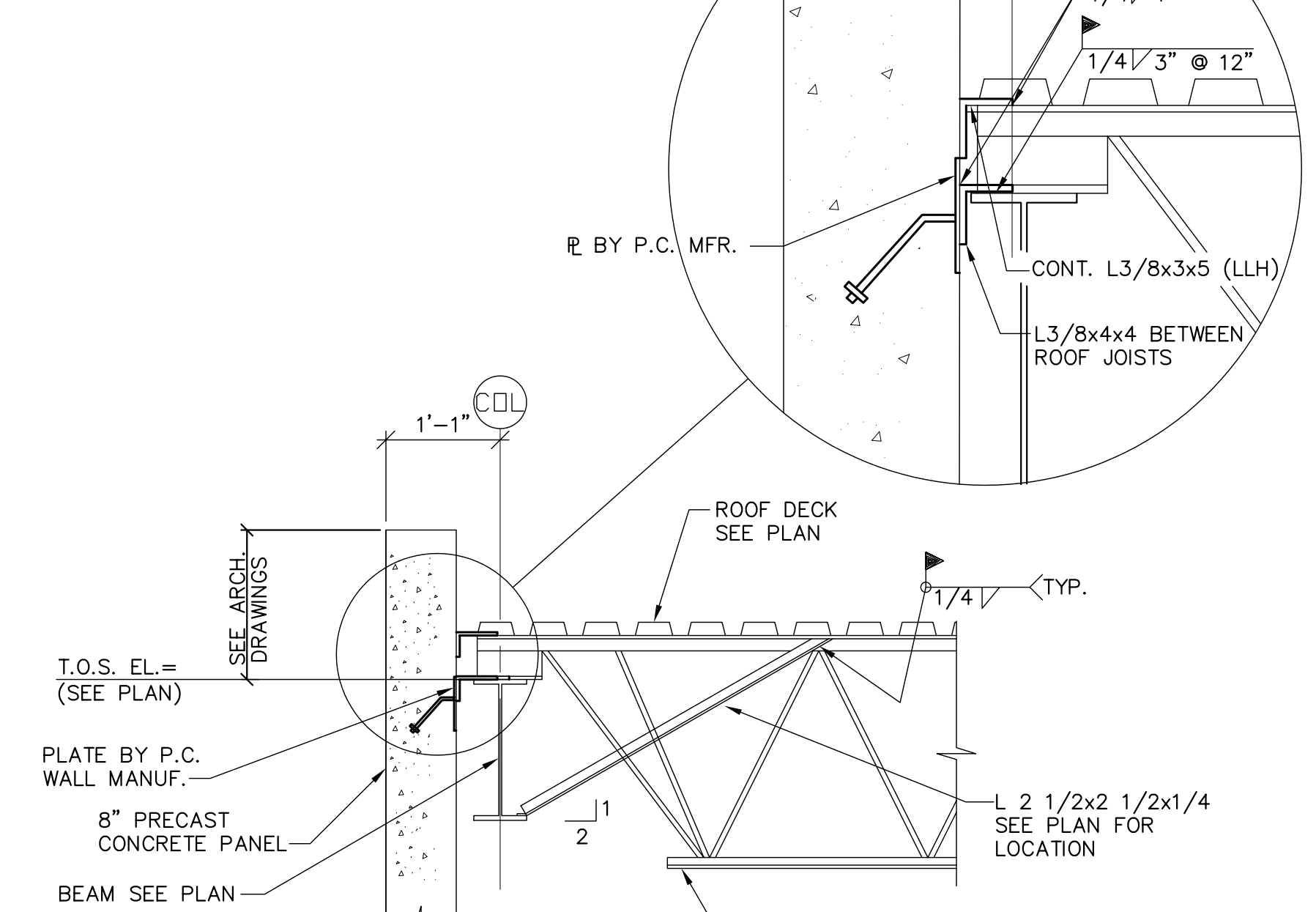
11 JOIST & COLUMN  
SS 3/4" = 1'-0"



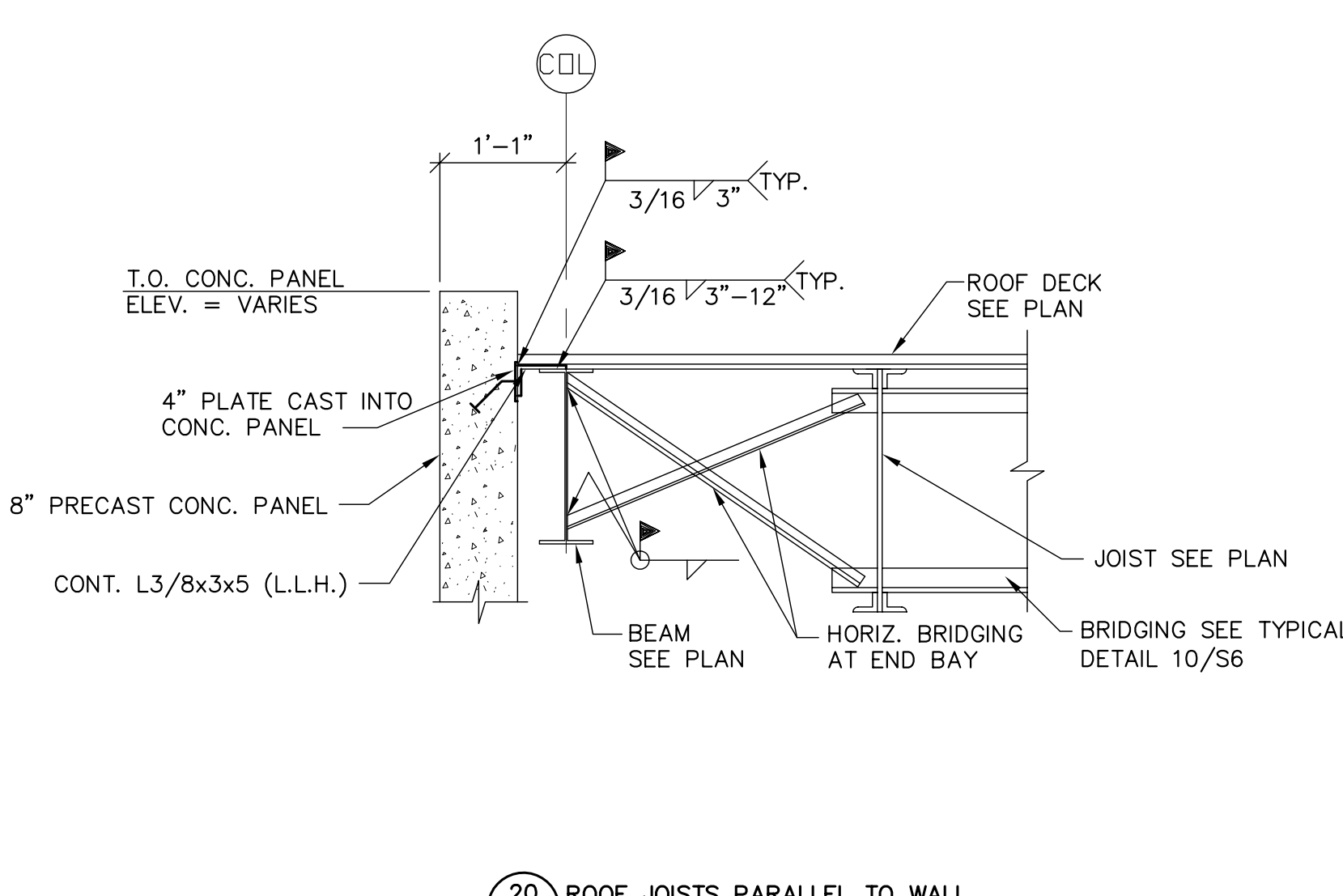
12 JOIST & JOIST GIRDER  
SS 3/4" = 1'-0"



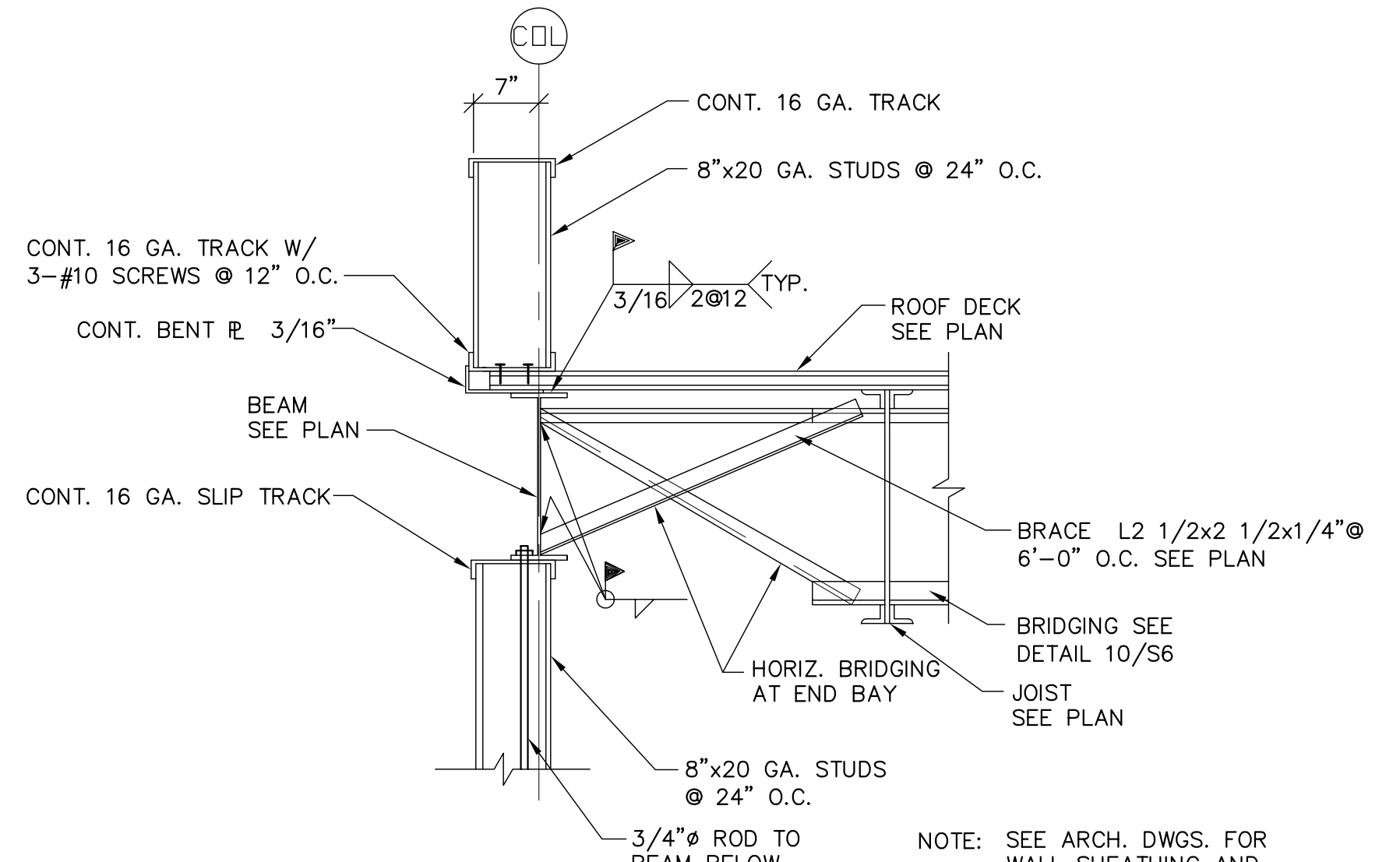
13 JOIST GIRDER & COL. & WALL  
SS 3/4" = 1'-0"



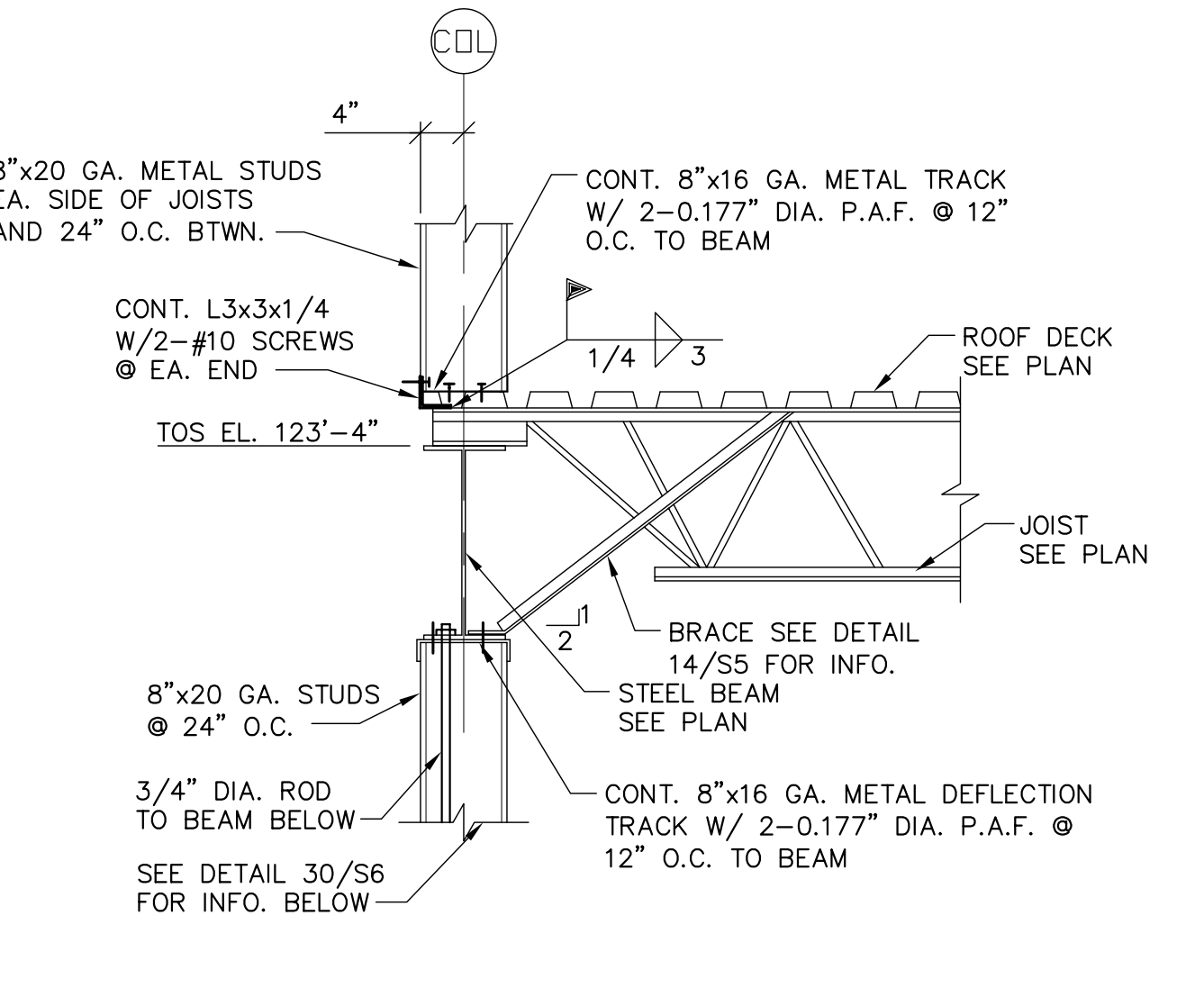
14 ROOF JOISTS PERP. TO WALL  
SS 3/4" = 1'-0"



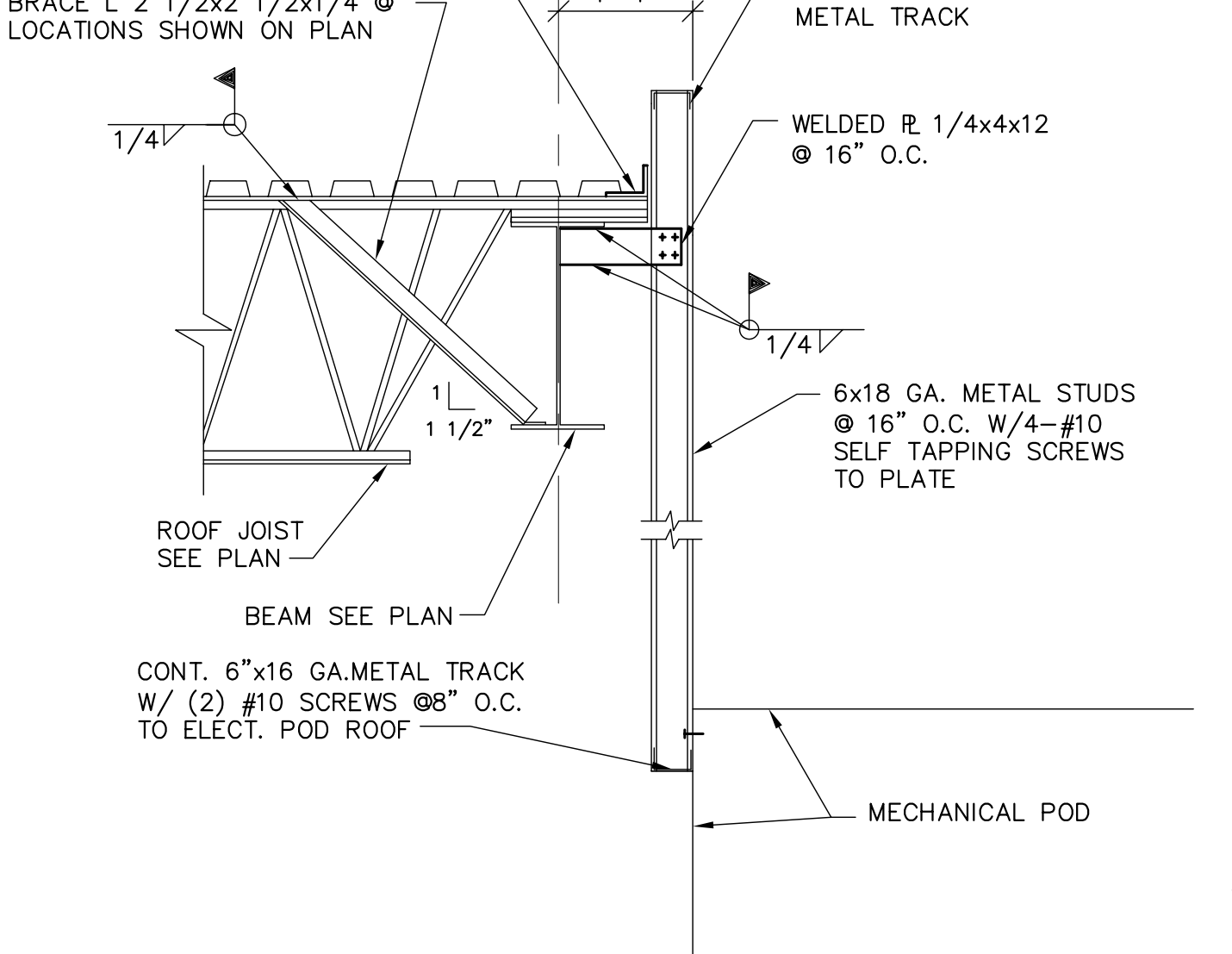
20 ROOF JOISTS PARALLEL TO WALL  
SS 3/4" = 1'-0"



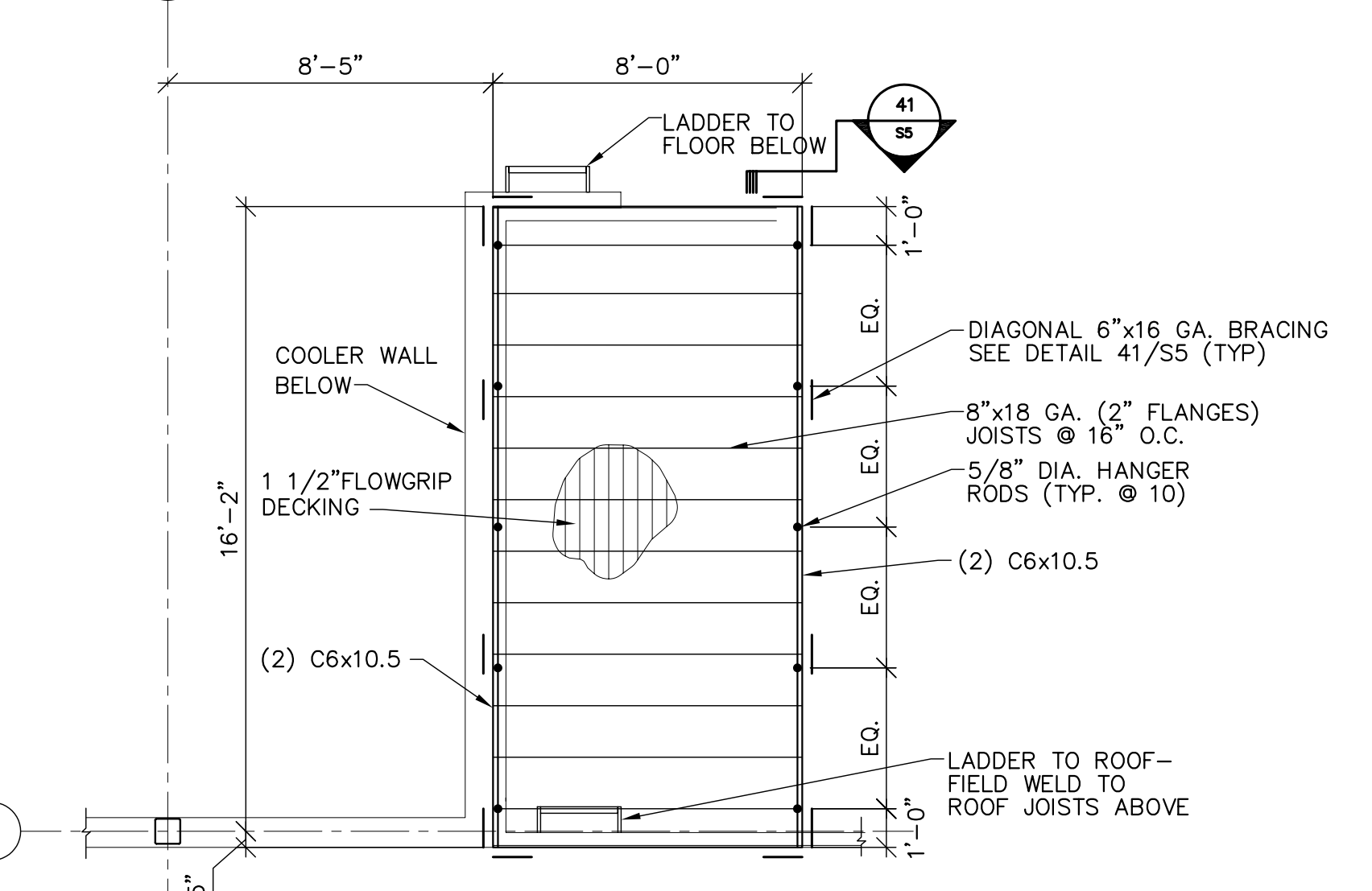
21 STUD WALL & STEEL BEAM  
SS 3/4" = 1'-0"



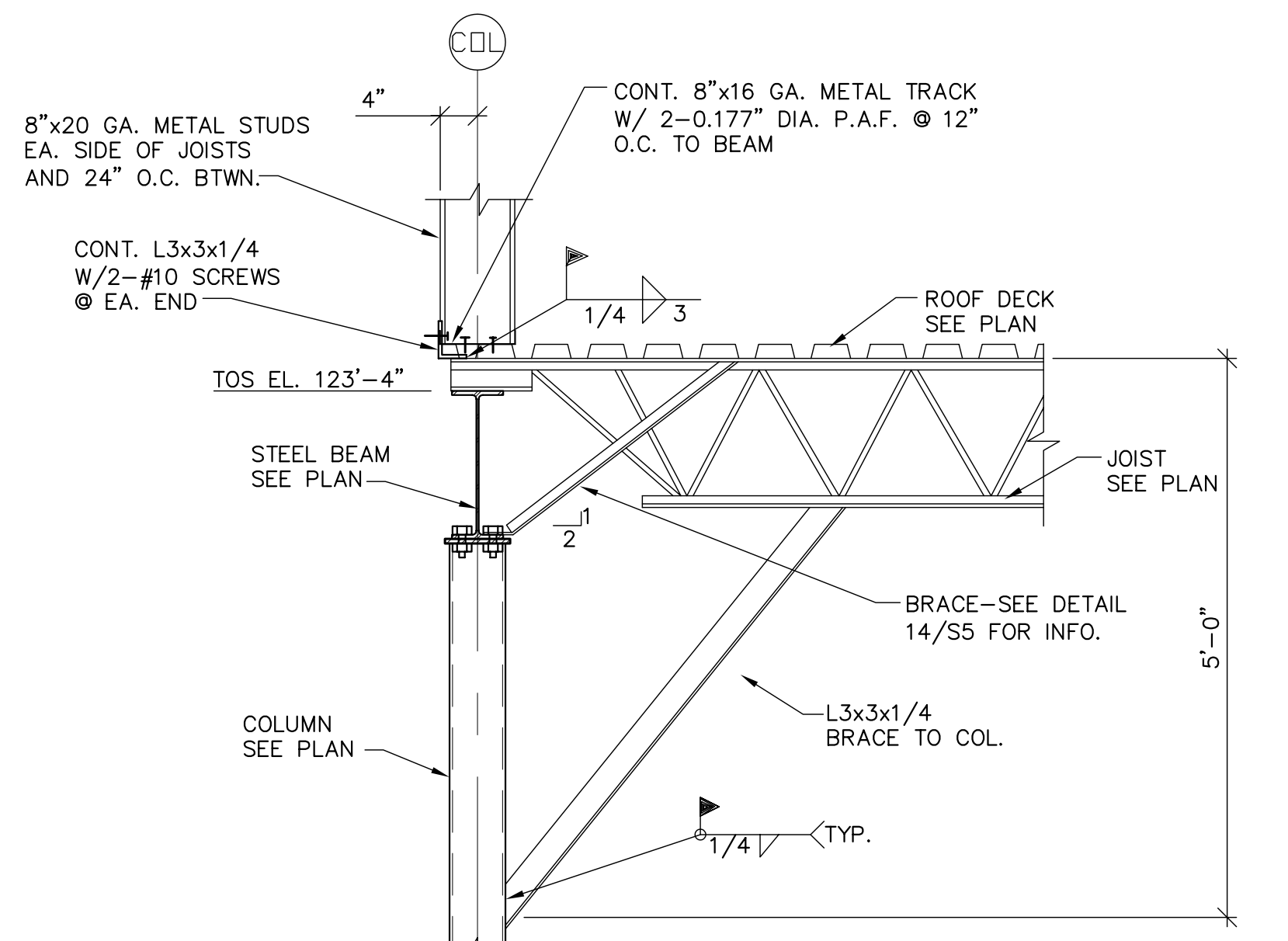
22 CANOPY CONNECTION & ROOF  
SS 3/4" = 1'-0"



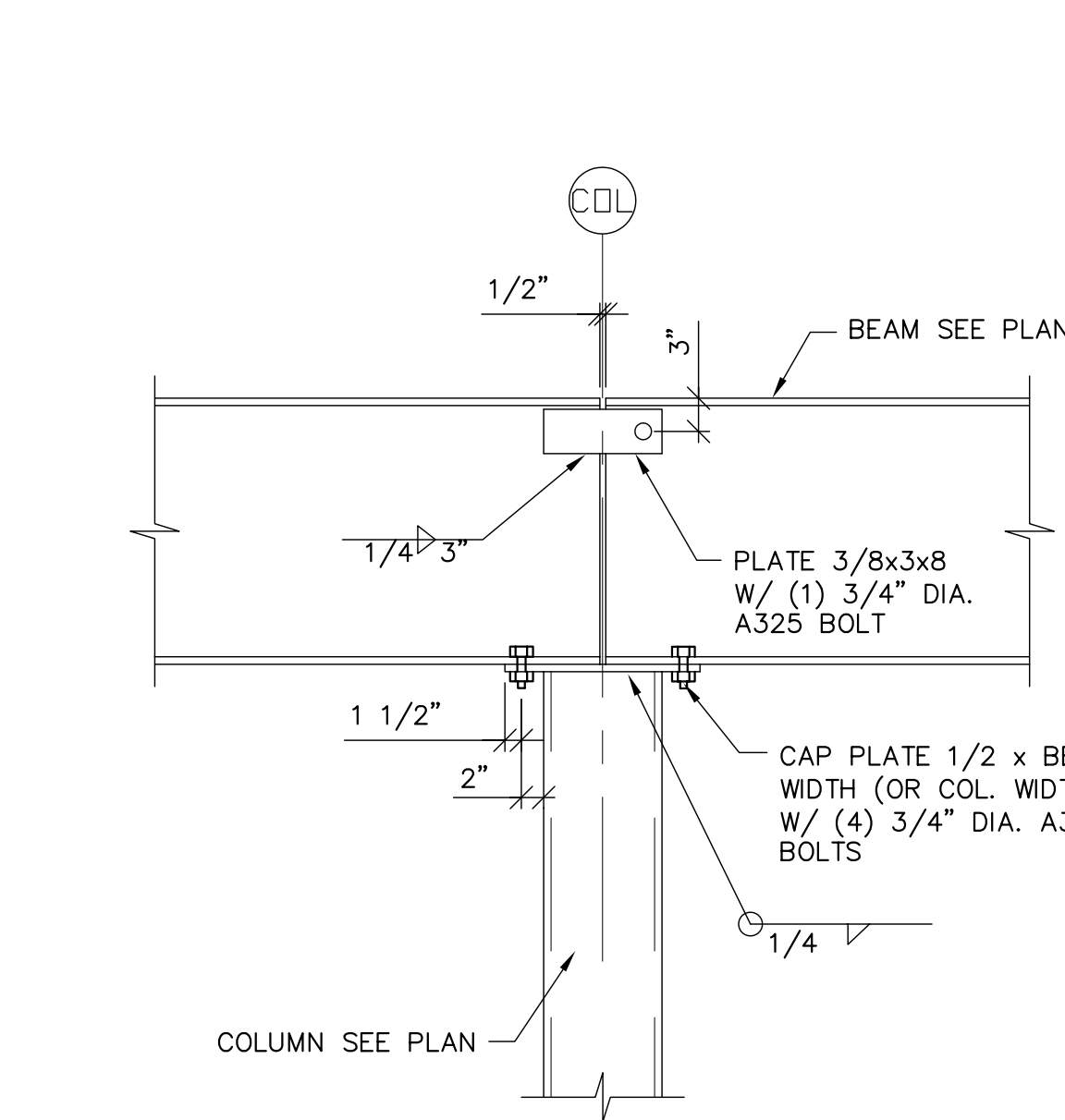
23 STUD WALL SUPPORT & MECHANICAL POD  
SS 3/4" = 1'-0"



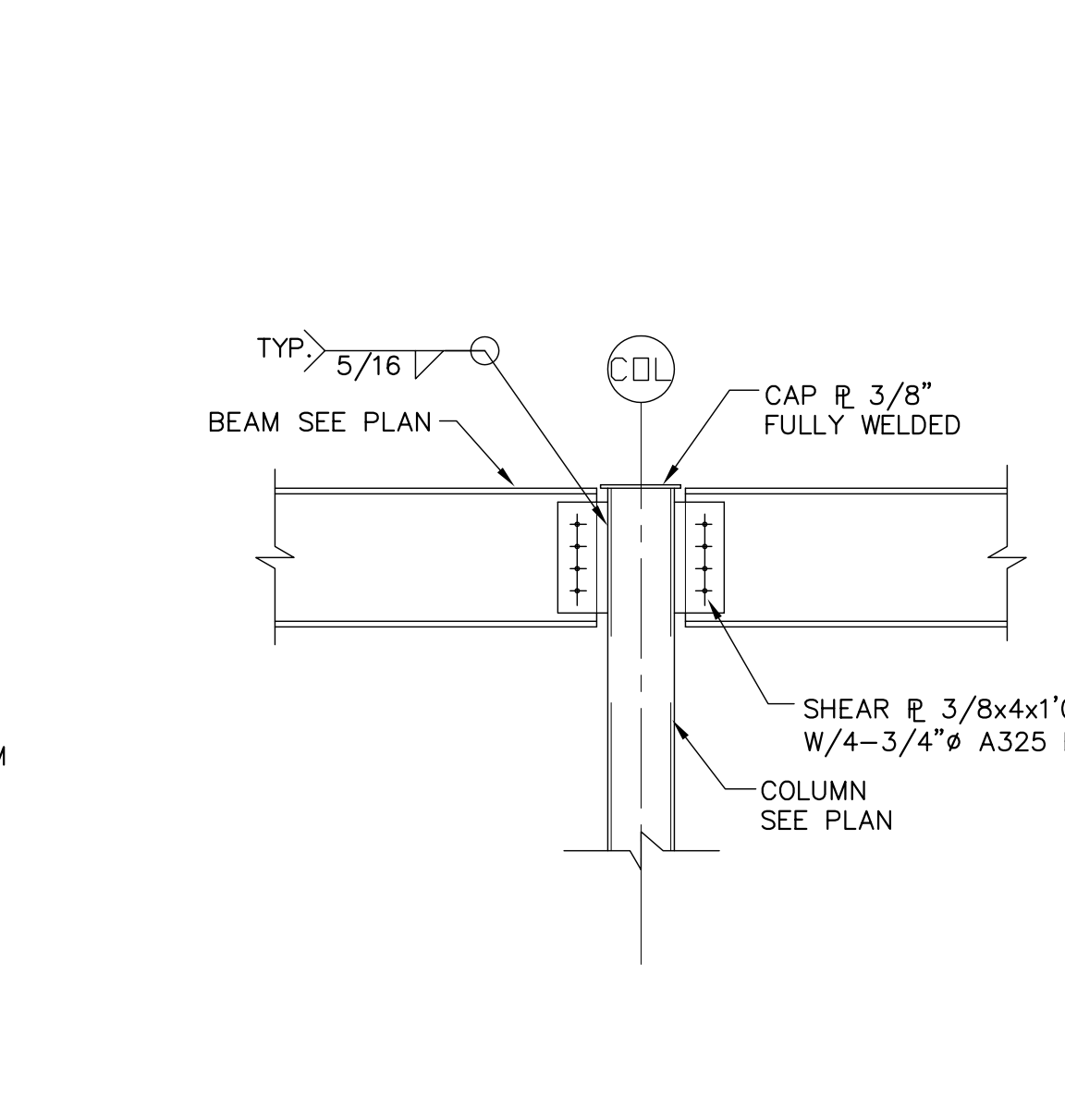
24 ROOF HATCH PLATFORM  
SS 3/4" = 1'-0"



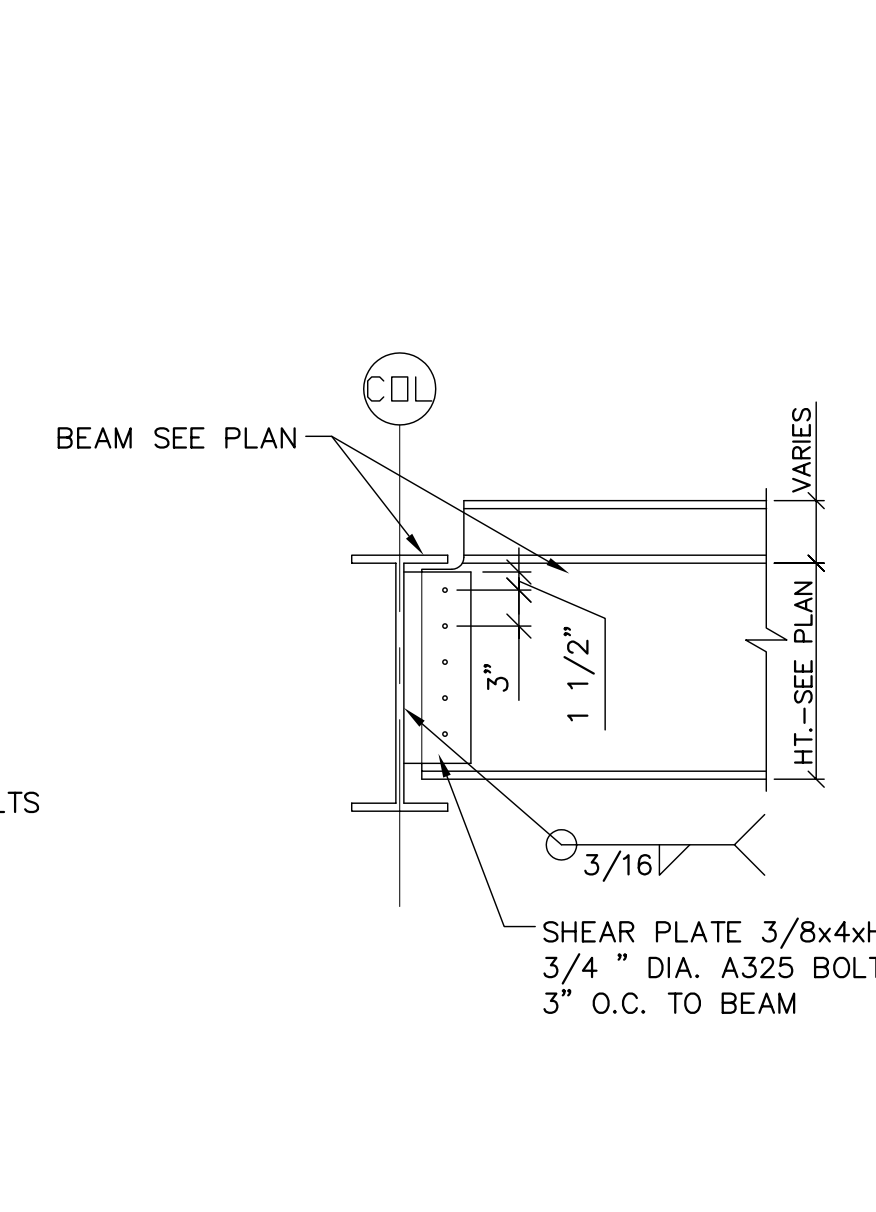
30 STEEL BEAM & STL. COL.  
SS 3/4" = 1'-0"



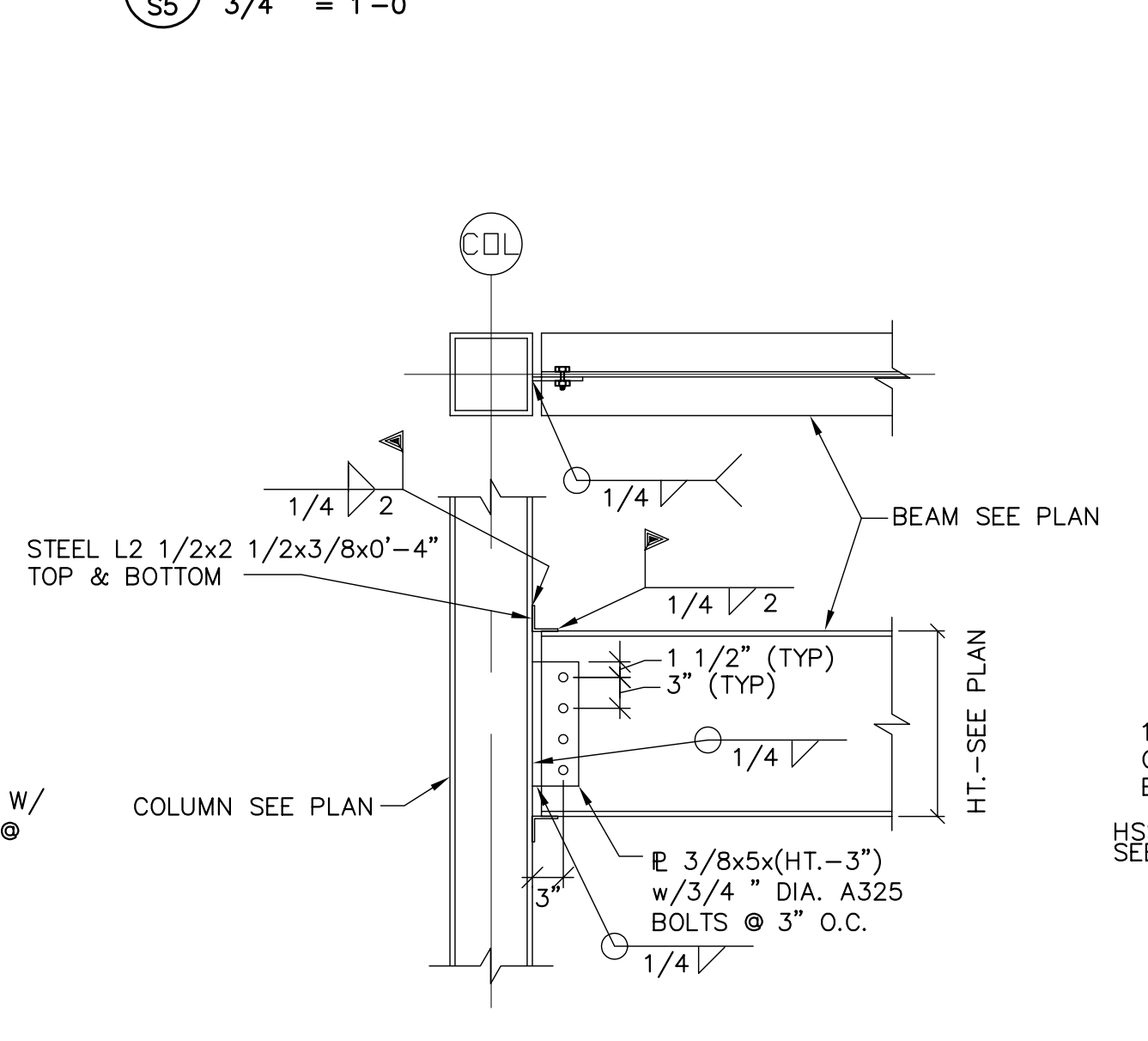
31 STEEL BEAM & STEEL COL.  
SS 3/4" = 1'-0"



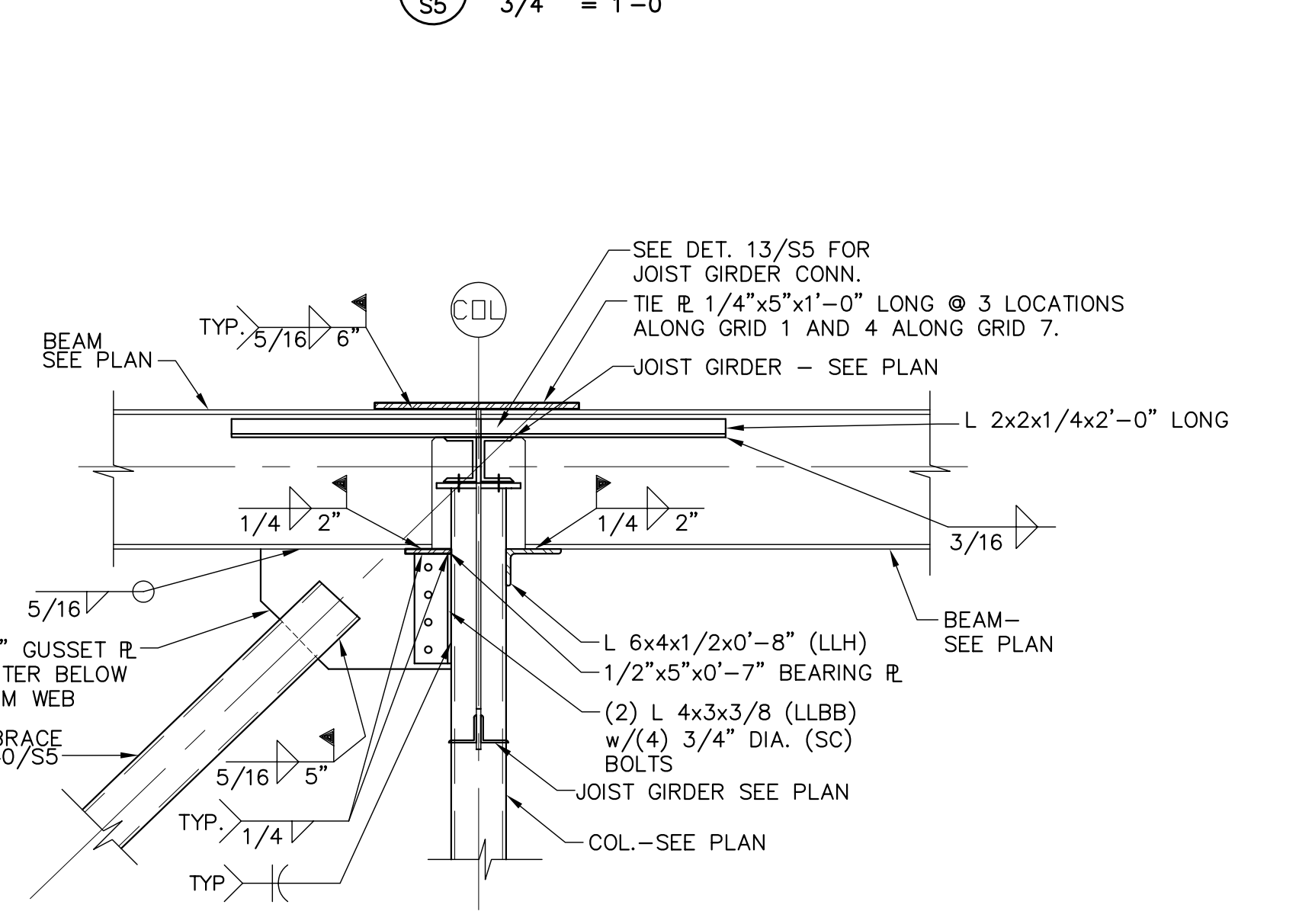
32 BEAM TO COLUMN CONN.  
SS 3/4" = 1'-0"



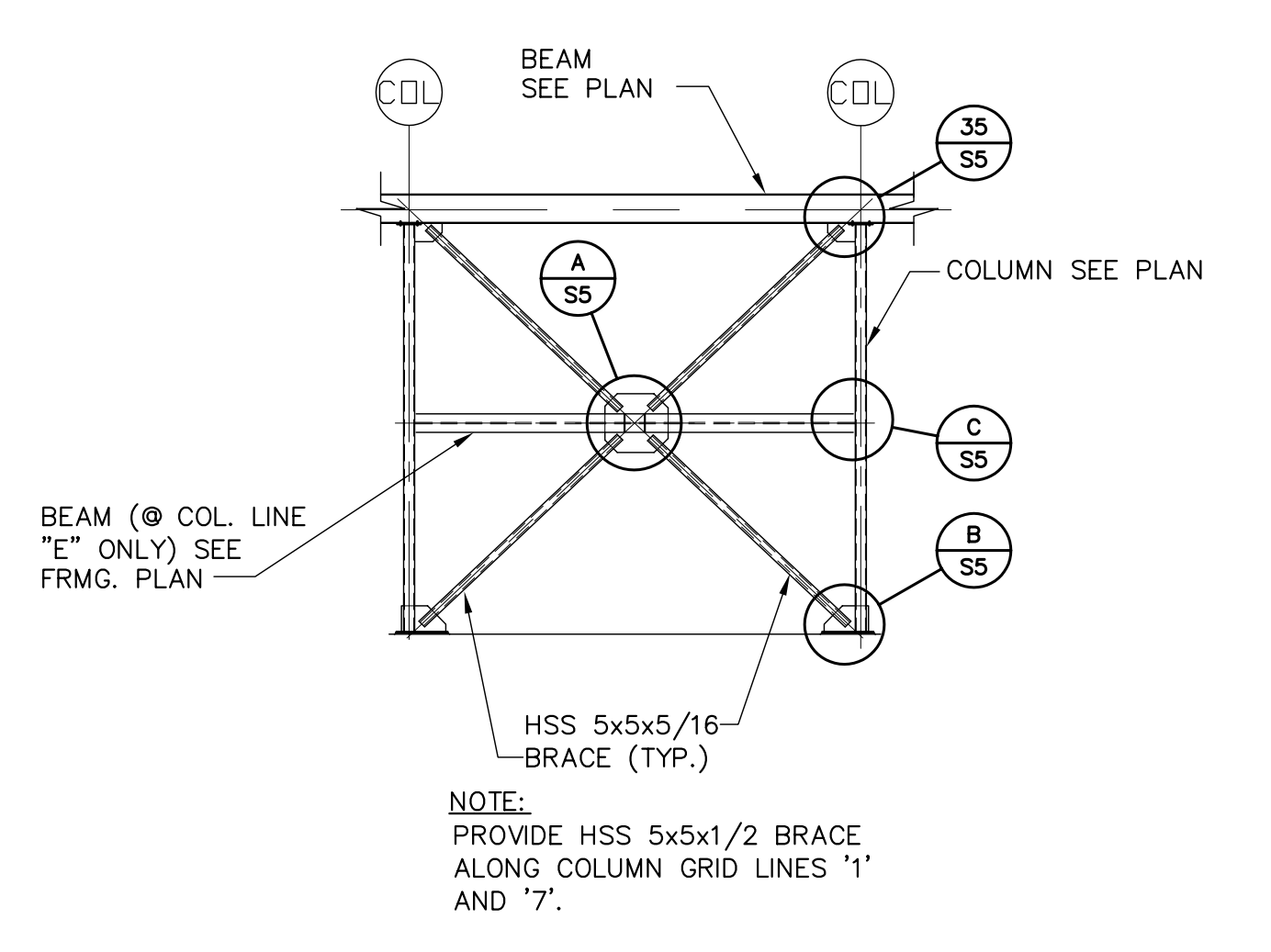
33 STEEL BEAM & STEEL BEAM  
SS 3/4" = 1'-0"



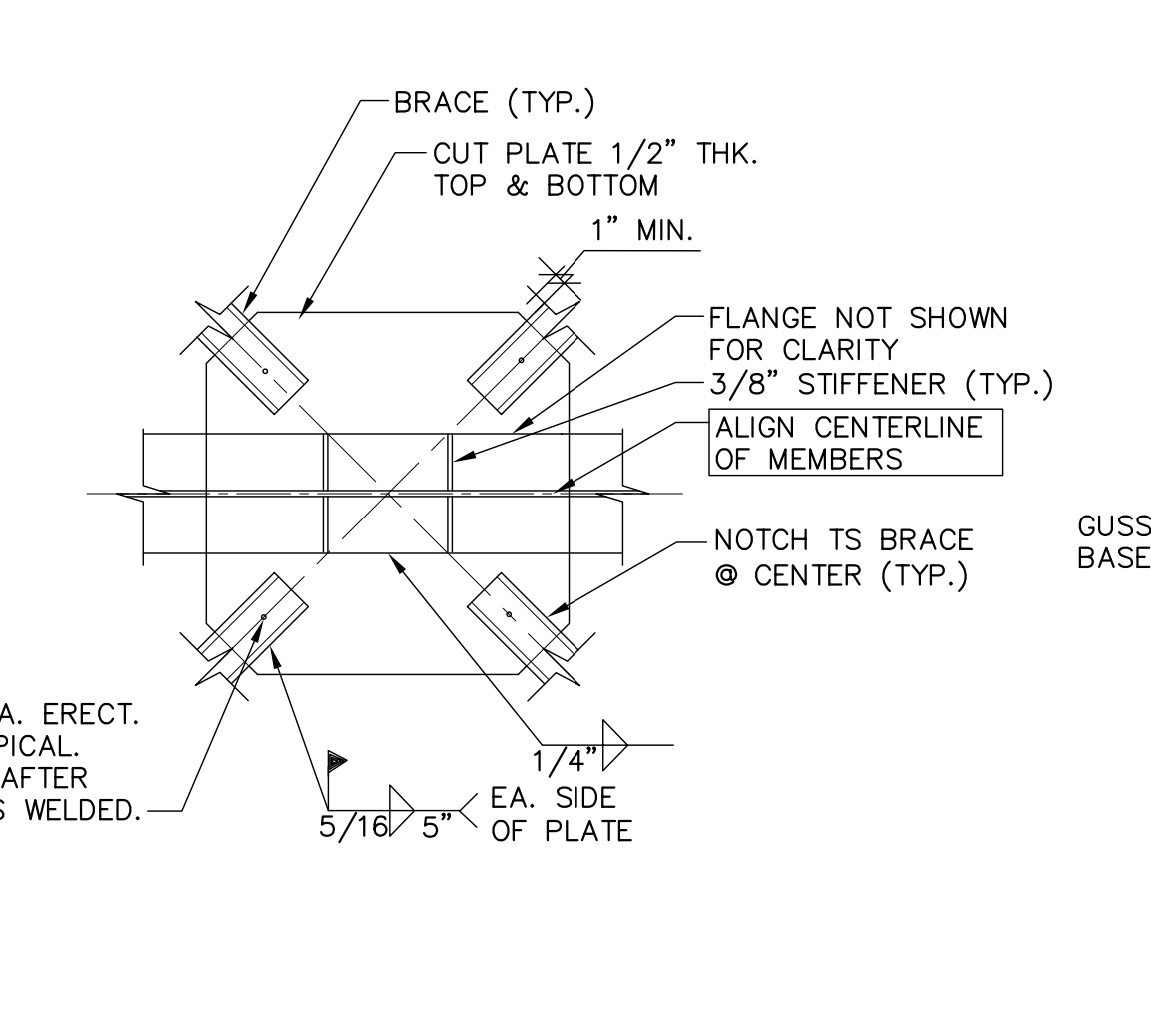
34 STEEL BEAM & COL. SURFACE  
SS 3/4" = 1'-0"



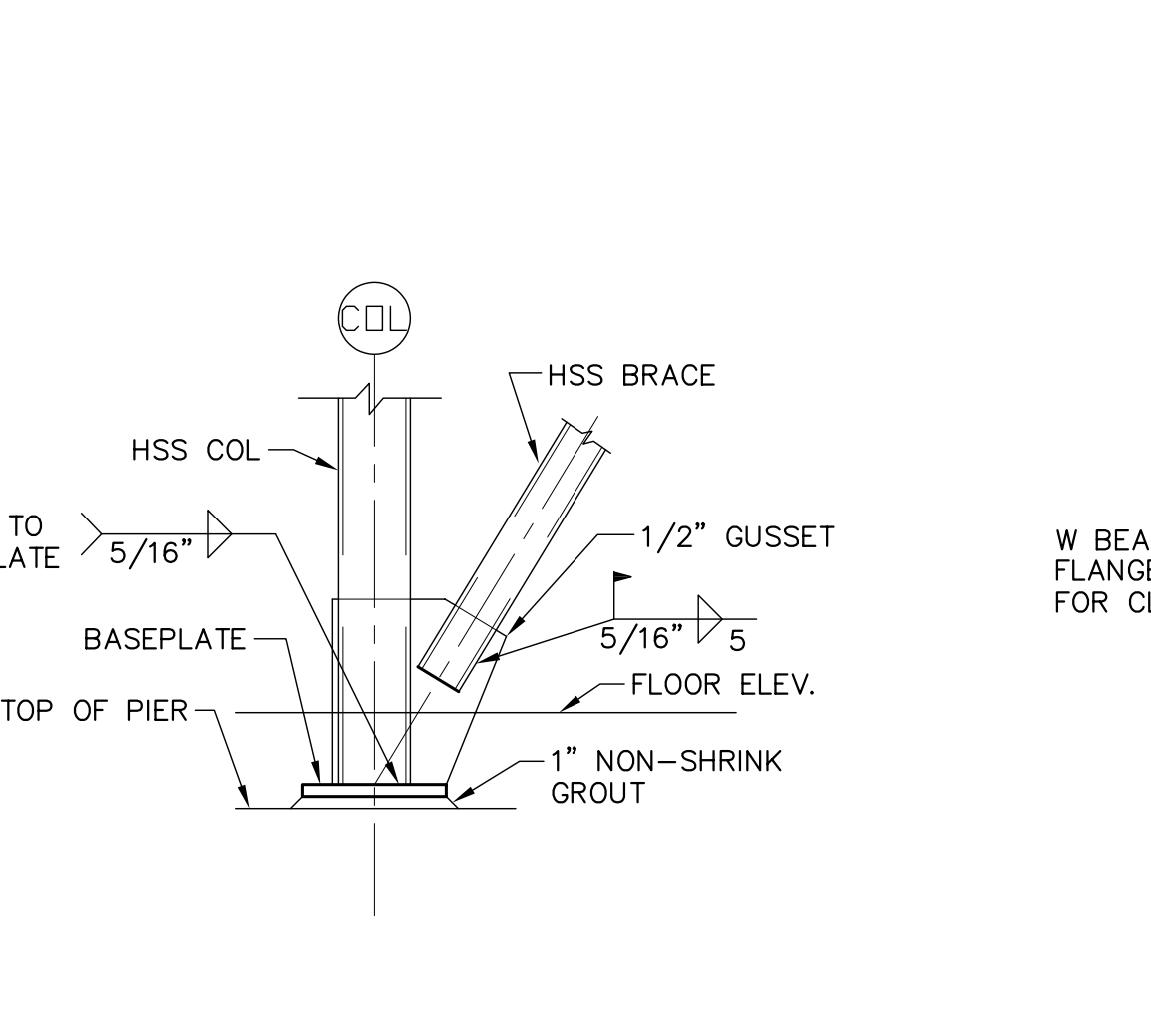
35 BRACE & GIRDER & COL.  
SS 3/4" = 1'-0"



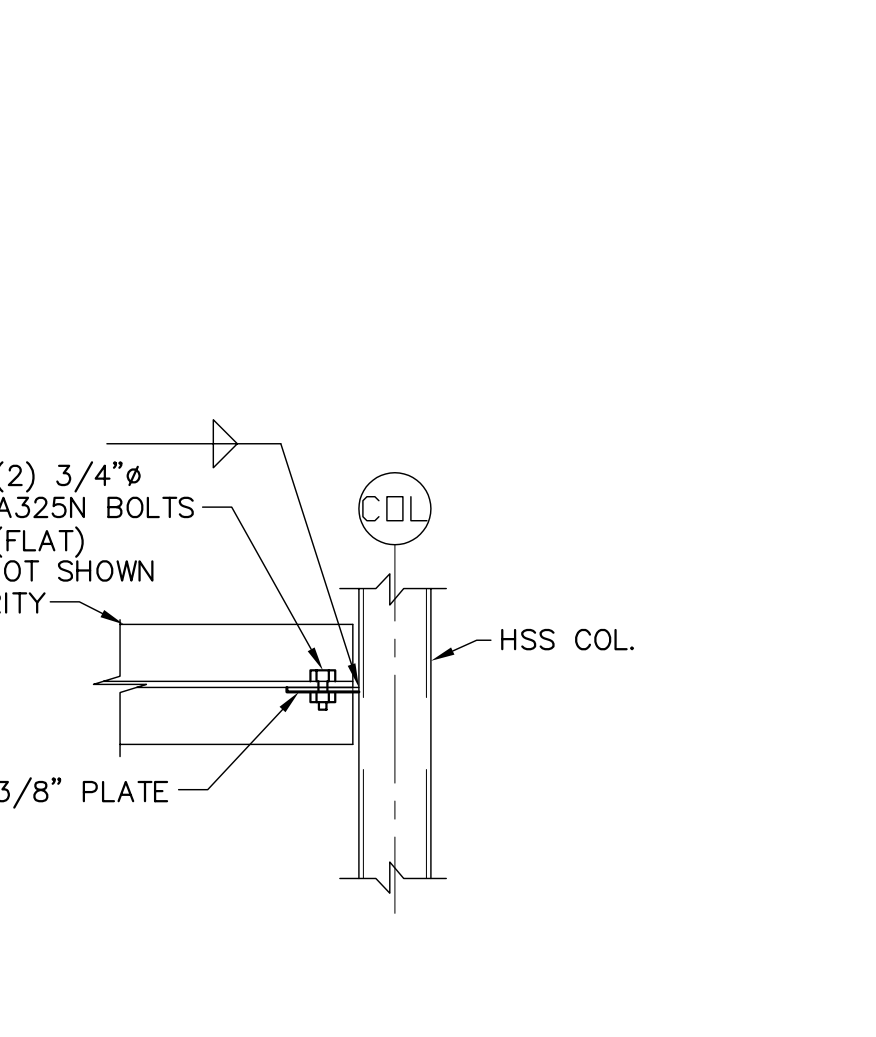
40 BRACED FRAME ELEVATION  
N.T.S.



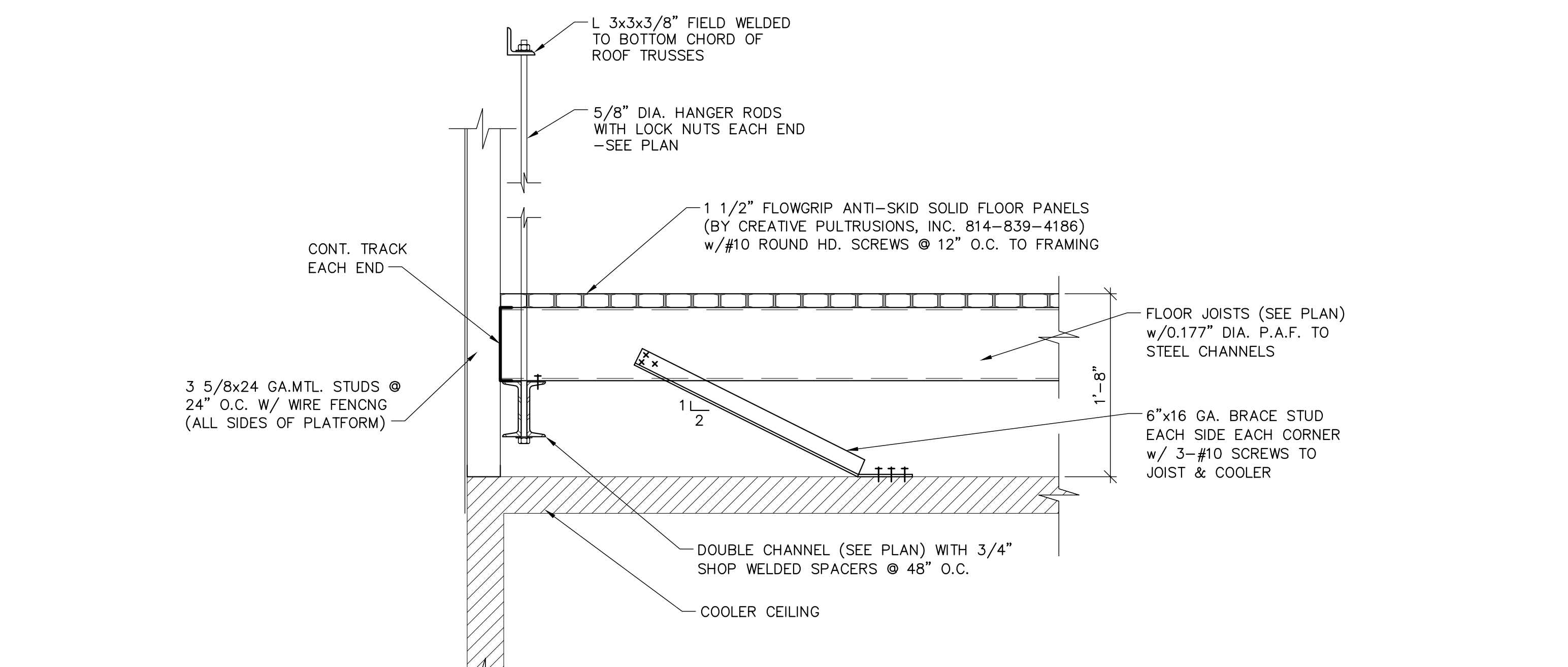
A DETAIL  
SS 3/4" = 1'-0"



B DETAIL  
SS 3/4" = 1'-0"



C DETAIL  
SS 3/4" = 1'-0"



41 PLATFORM SUPPORT/BRACING  
SS 3/4" = 1'-0"

NO.	REVISIONS	DATE	BY

NO.	REVISIONS	DATE	BY

NO.	REVISIONS	DATE	BY

NO.	REVISIONS	DATE	BY

PROJECT TITLE  
**Hannaford Food & Drug  
RIVERSIDE STREET  
PORTLAND, MAINE**

SHEET TITLE  
**MISC. STRUCTURAL  
DETAILS**

SEE PLAN	JCM	KWH	WPF/ALLIED	LAW
design				
drawn				
checked				
proj mgr				
date	11 JUNE 2004			

SHEET  
**S5**  
proj no.