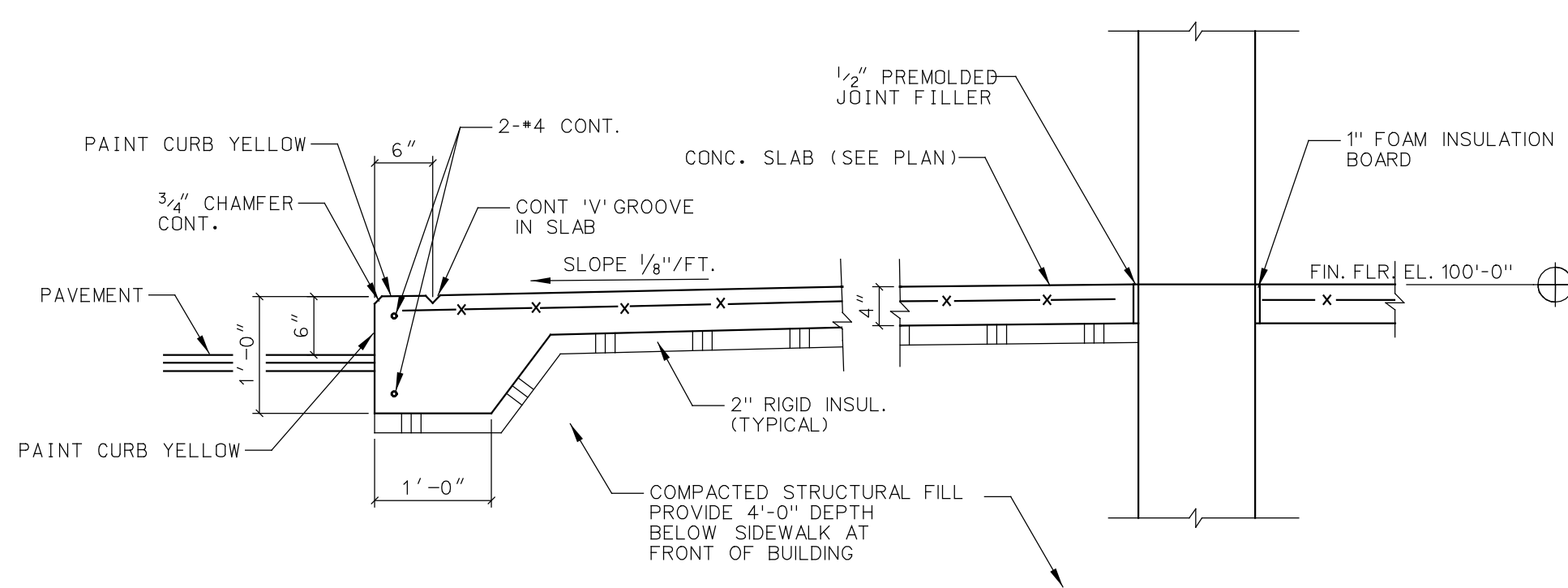
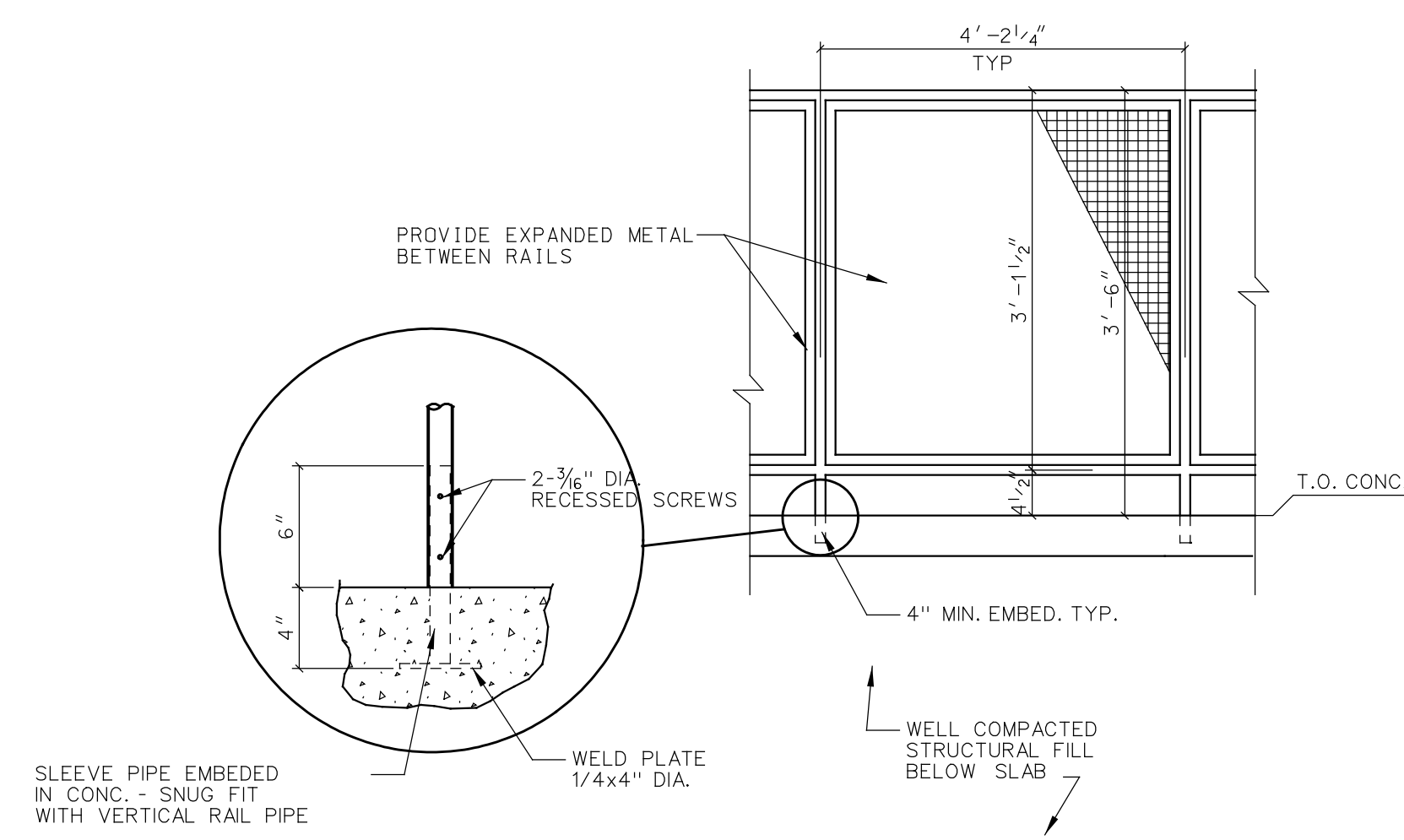


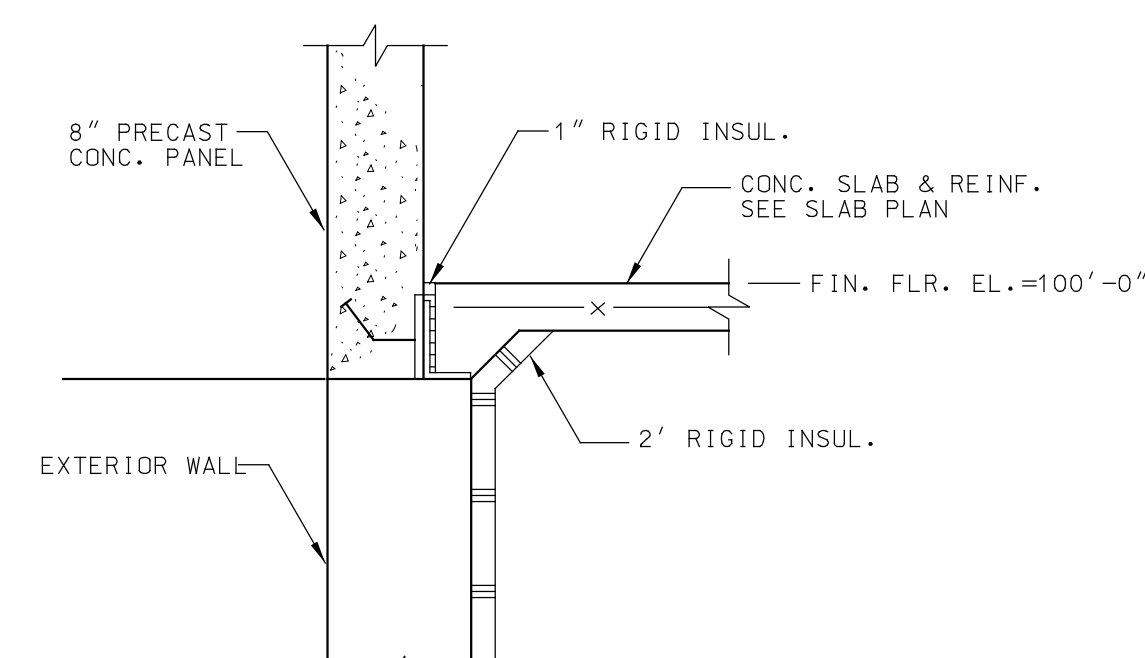
10 EXT. SLAB TURNDOWN
S7 3/4" = 1'-0"



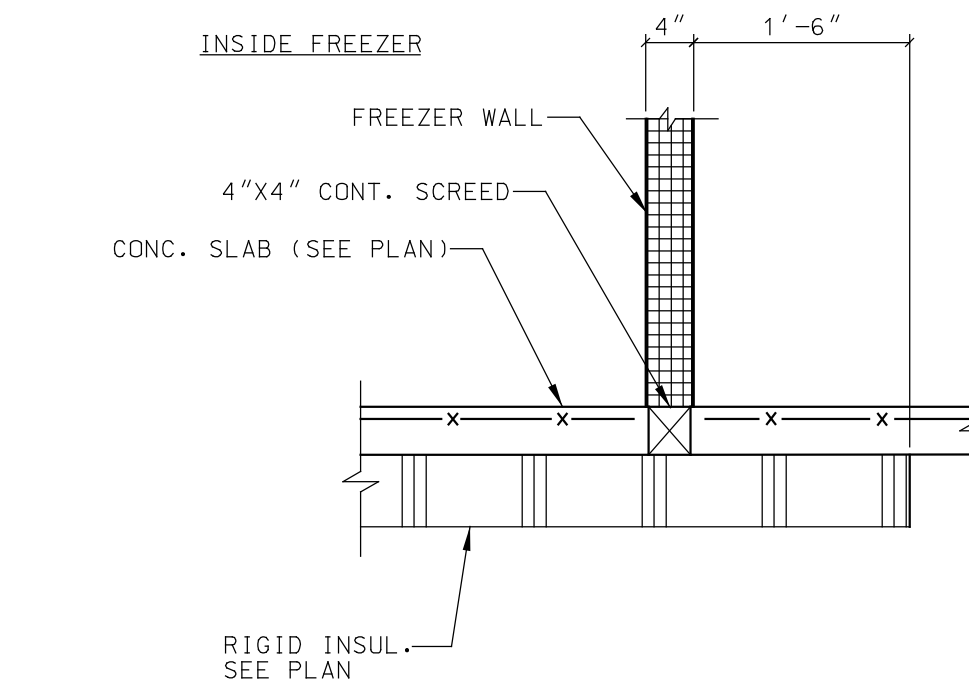
11 EXTERIOR SIDEWALK
S7 3/4" = 1'-0"



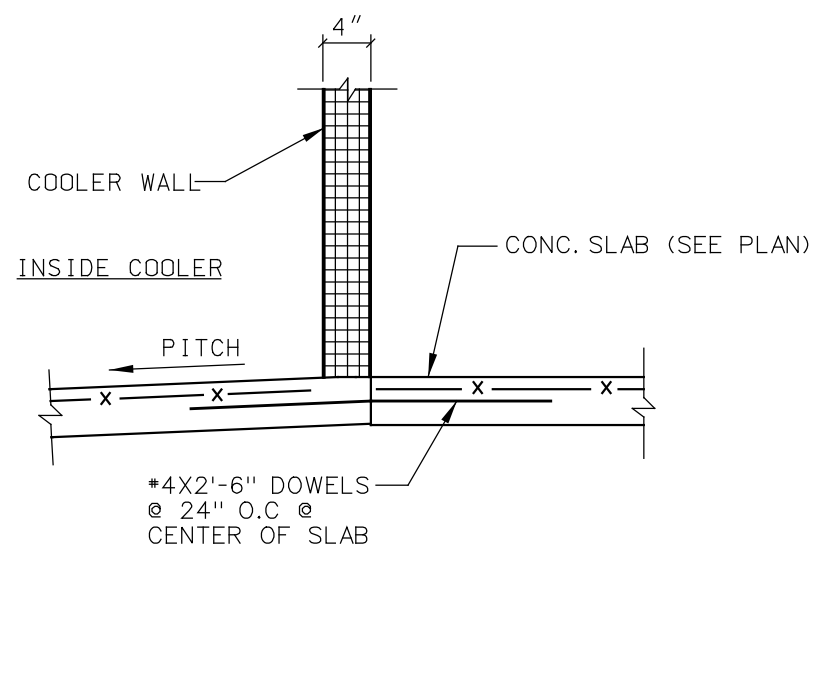
13 ELEVATION @ HANDRAILS
S1 3/4" = 1'-0"



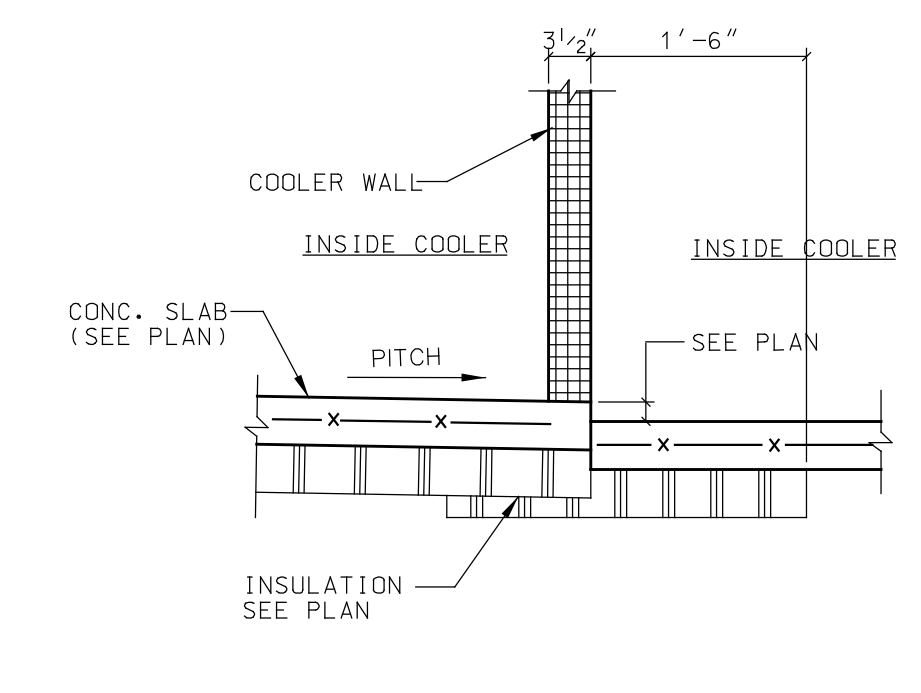
14 CONG. SLAB @ EXT. WALL
S7 3/4" = 1'-0"



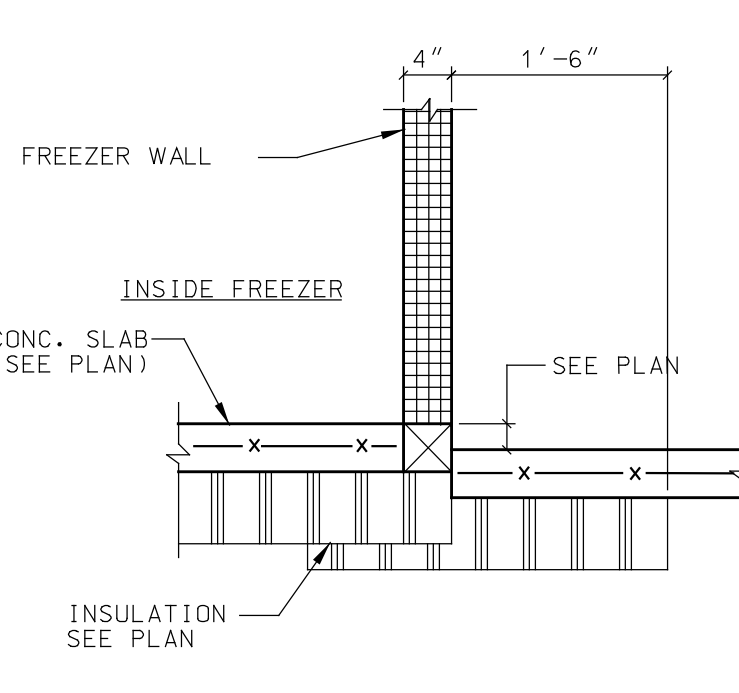
20 FREEZER SCREED @ SLAB
S7 3/4" = 1'-0"



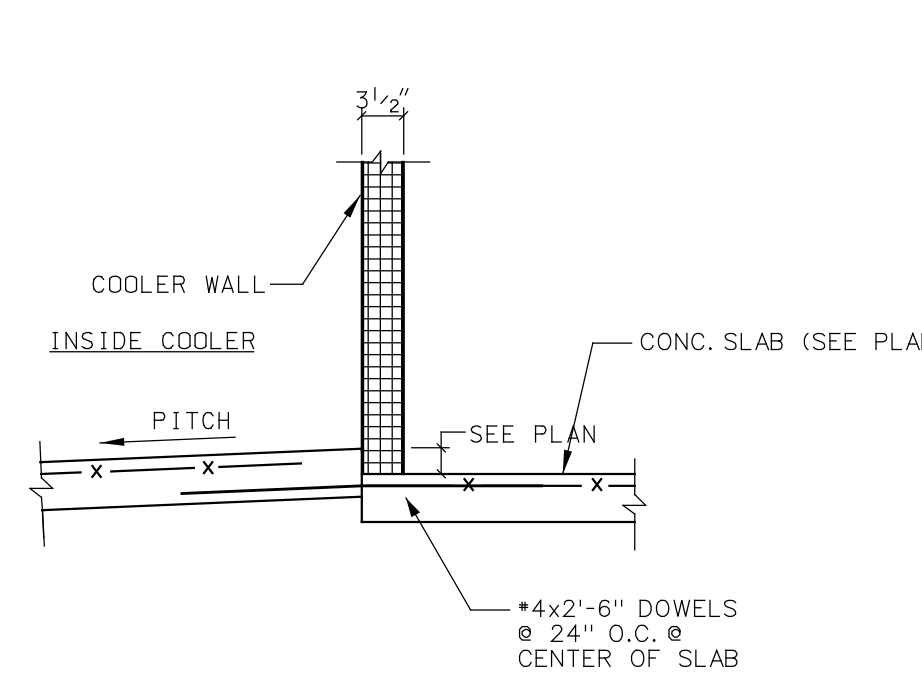
21 SLAB JOINT @ COOLER WALL
S7 3/4" = 1'-0"



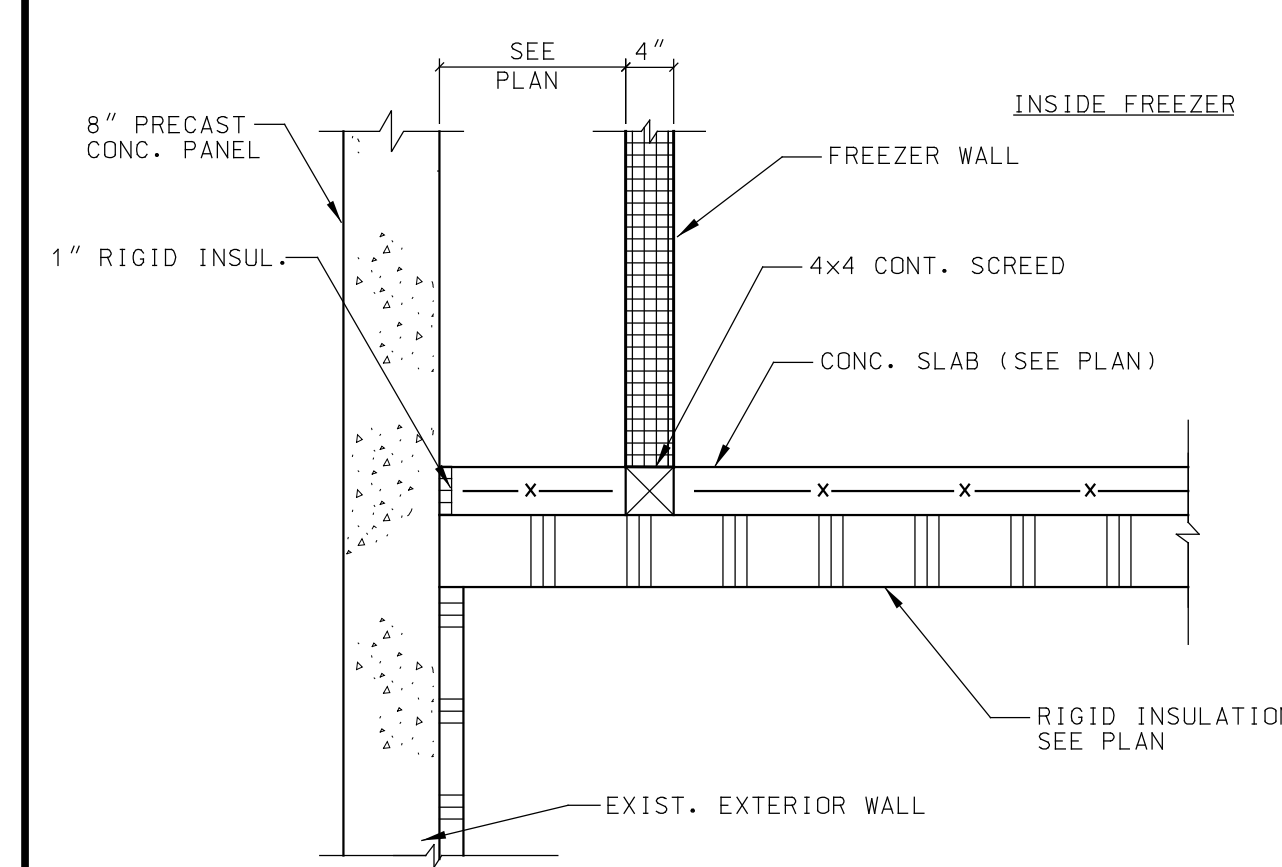
23 SLAB DEPRESS. @ COOLER
S7 3/4" = 1'-0"



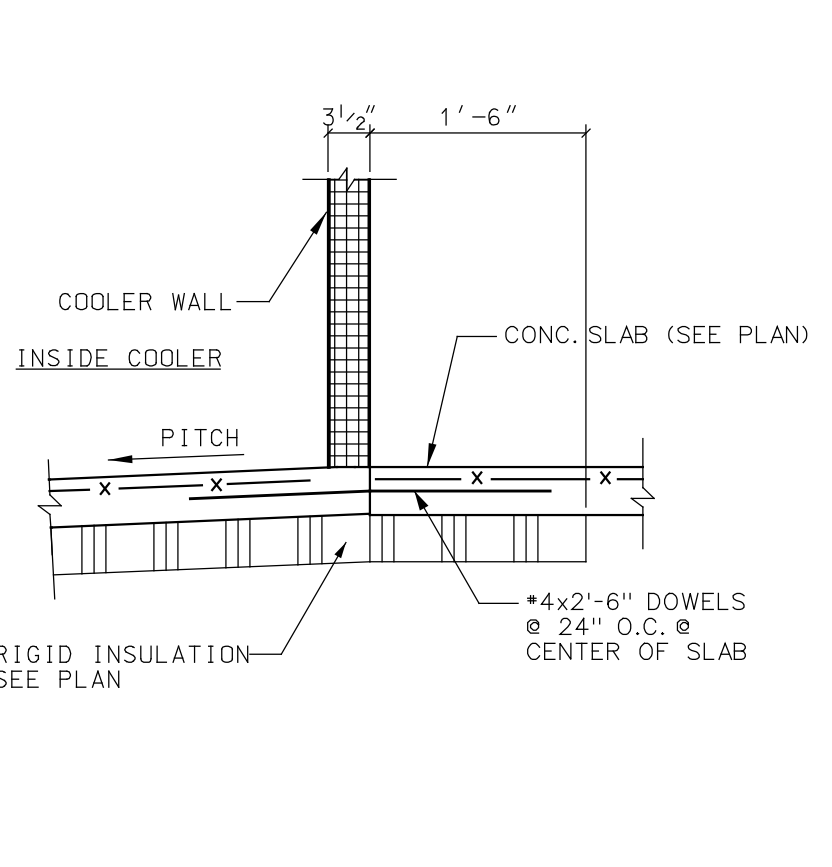
24 SLAB DEPRESS. @ FREEZER
S7 3/4" = 1'-0"



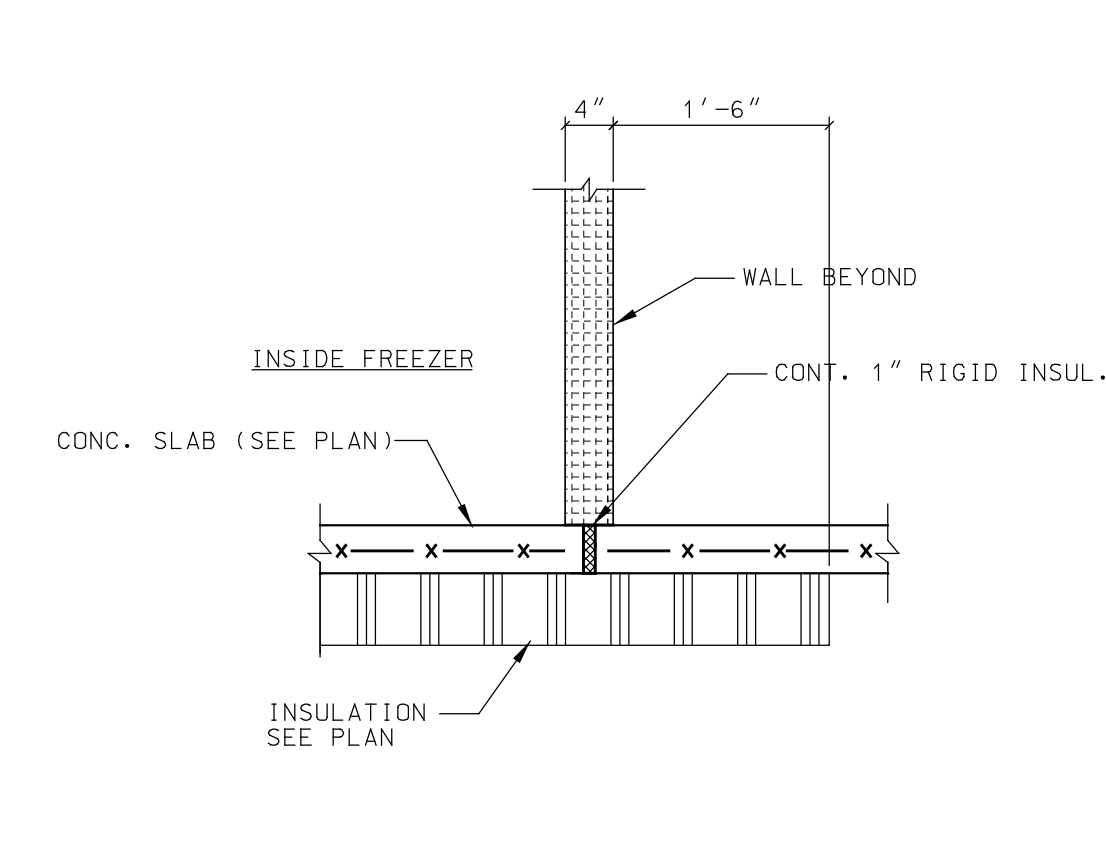
25 DEPRESSED PITCH SLAB @ COOLER
S7 3/4" = 1'-0"



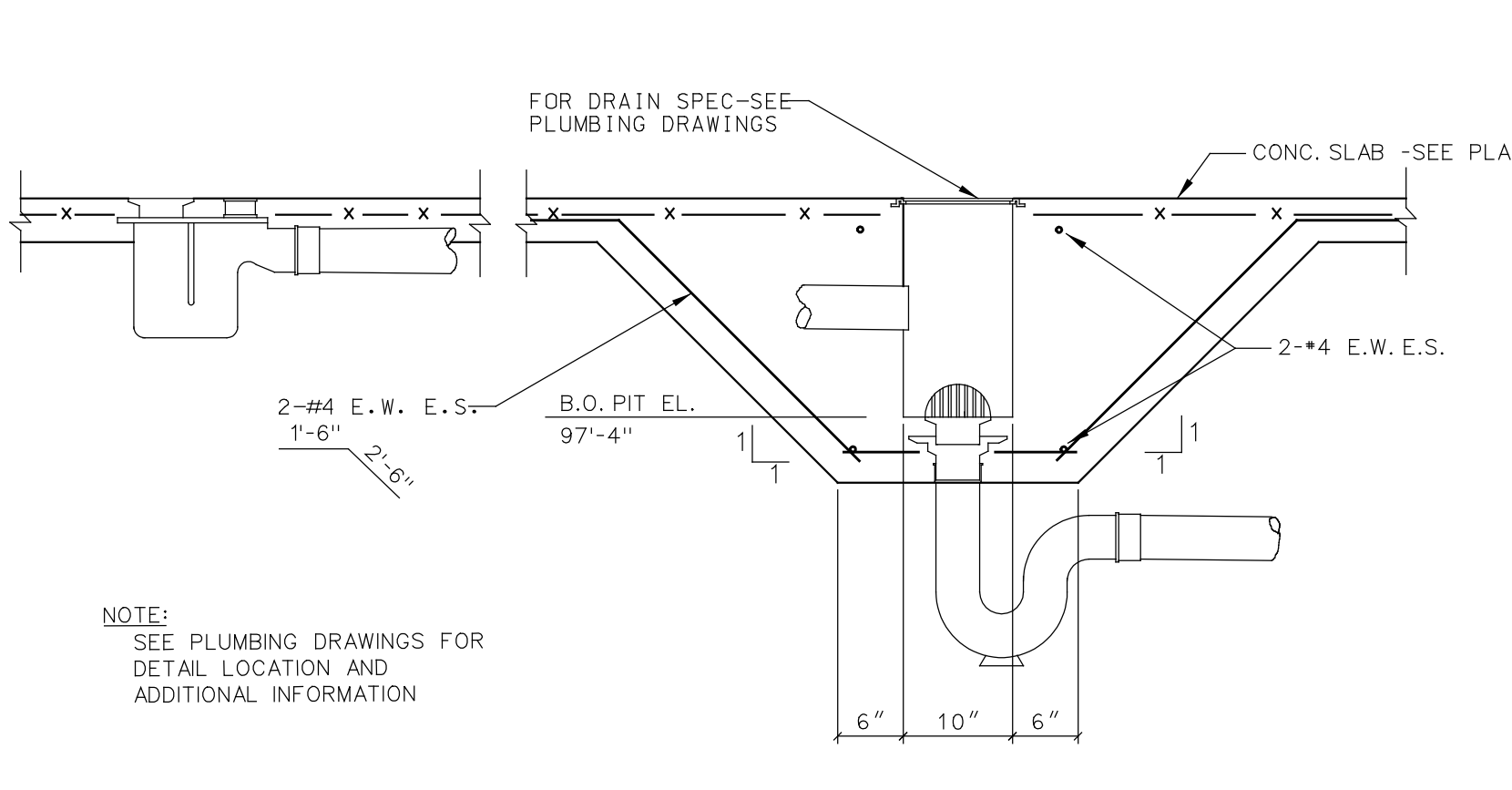
30 FREEZER SCREED @ SLAB
S7 3/4" = 1'-0"



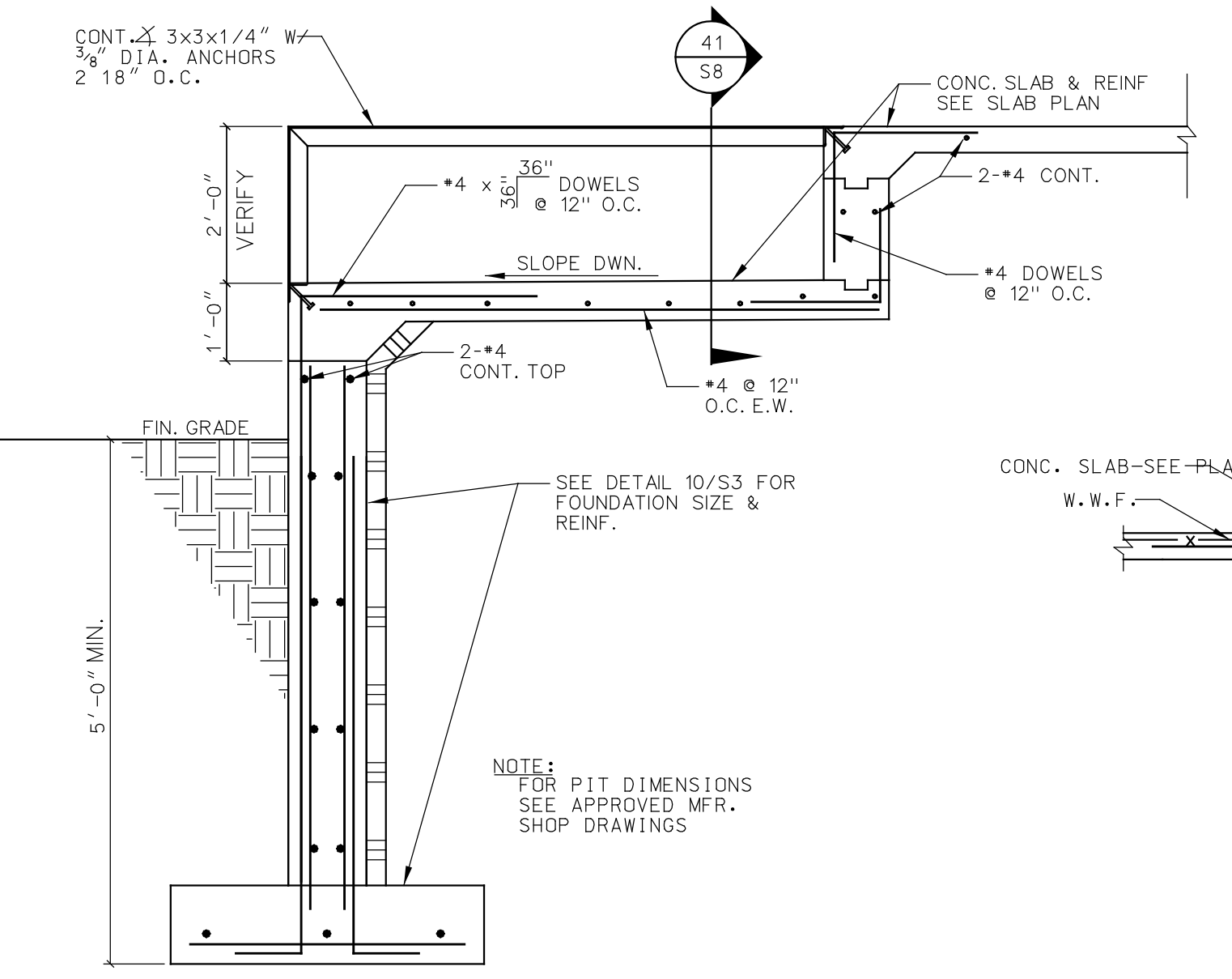
31 COOLER WALL @ SLAB
S7 3/4" = 1'-0"



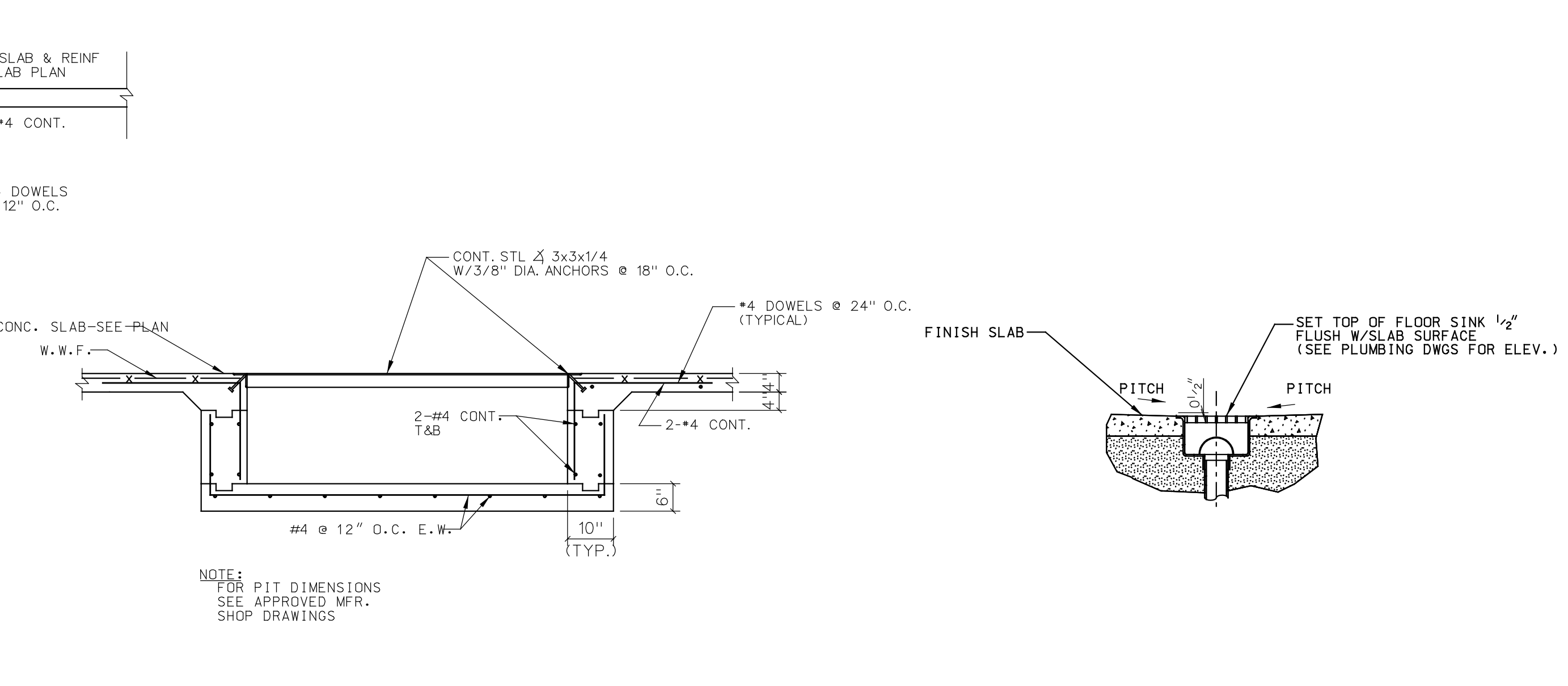
33 SLAB JOINT @ FREEZER DOOR
S7 3/4" = 1'-0"



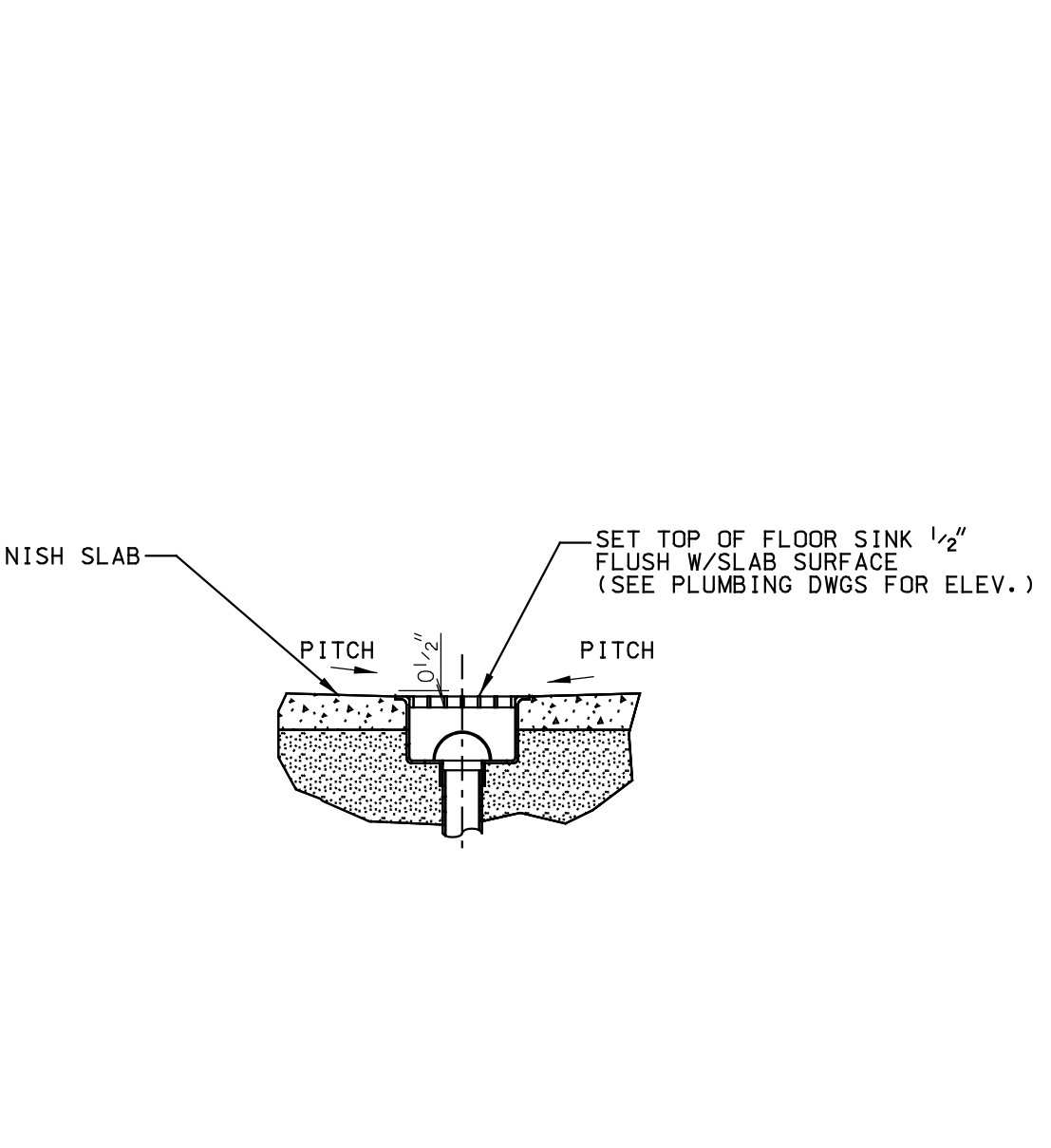
34 PLUMBING TRAP @ SLAB
S7 3/4" = 1'-0"



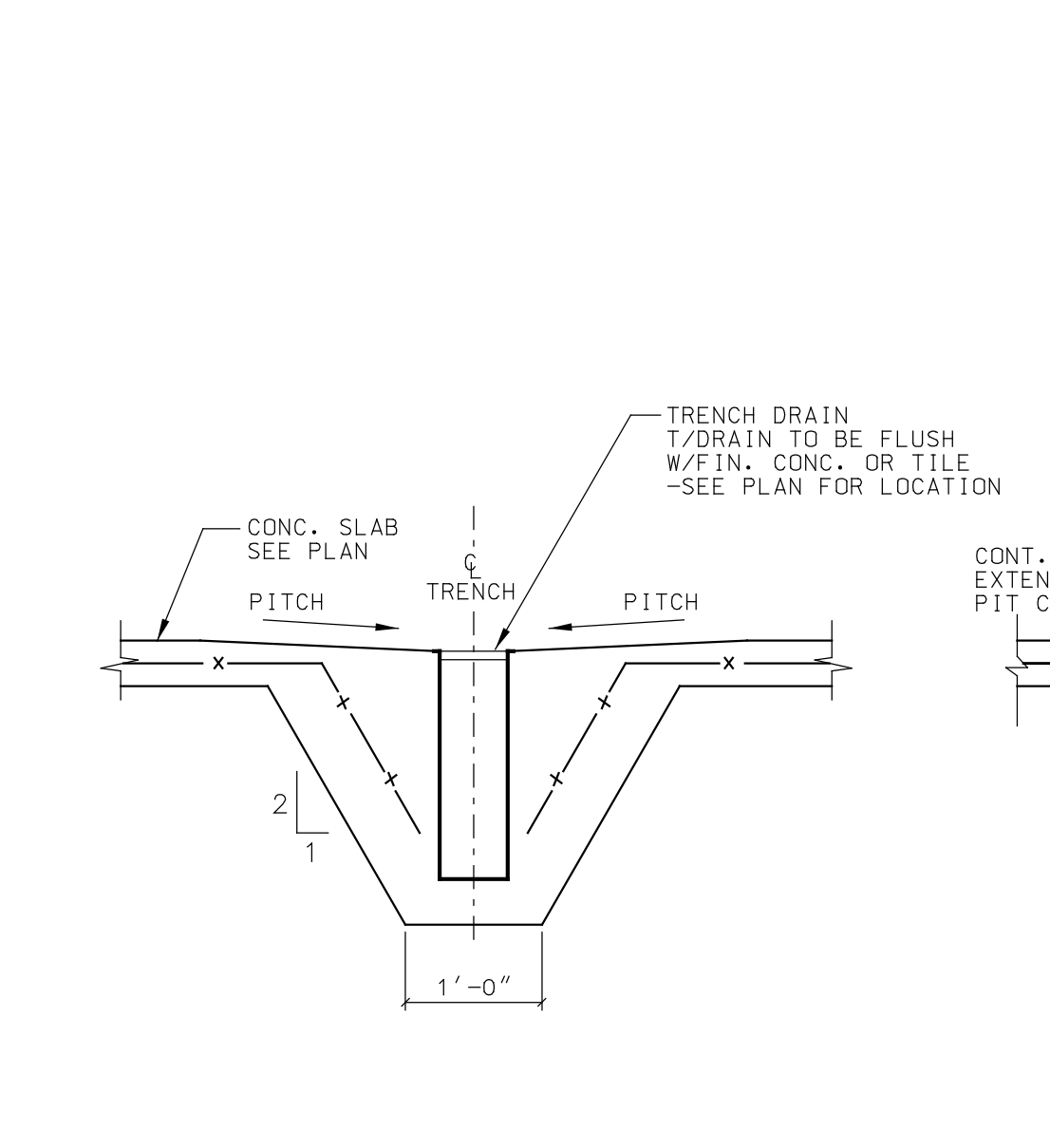
40 DOCK LEVELER PIT DETAIL
S7 3/4" = 1'-0"



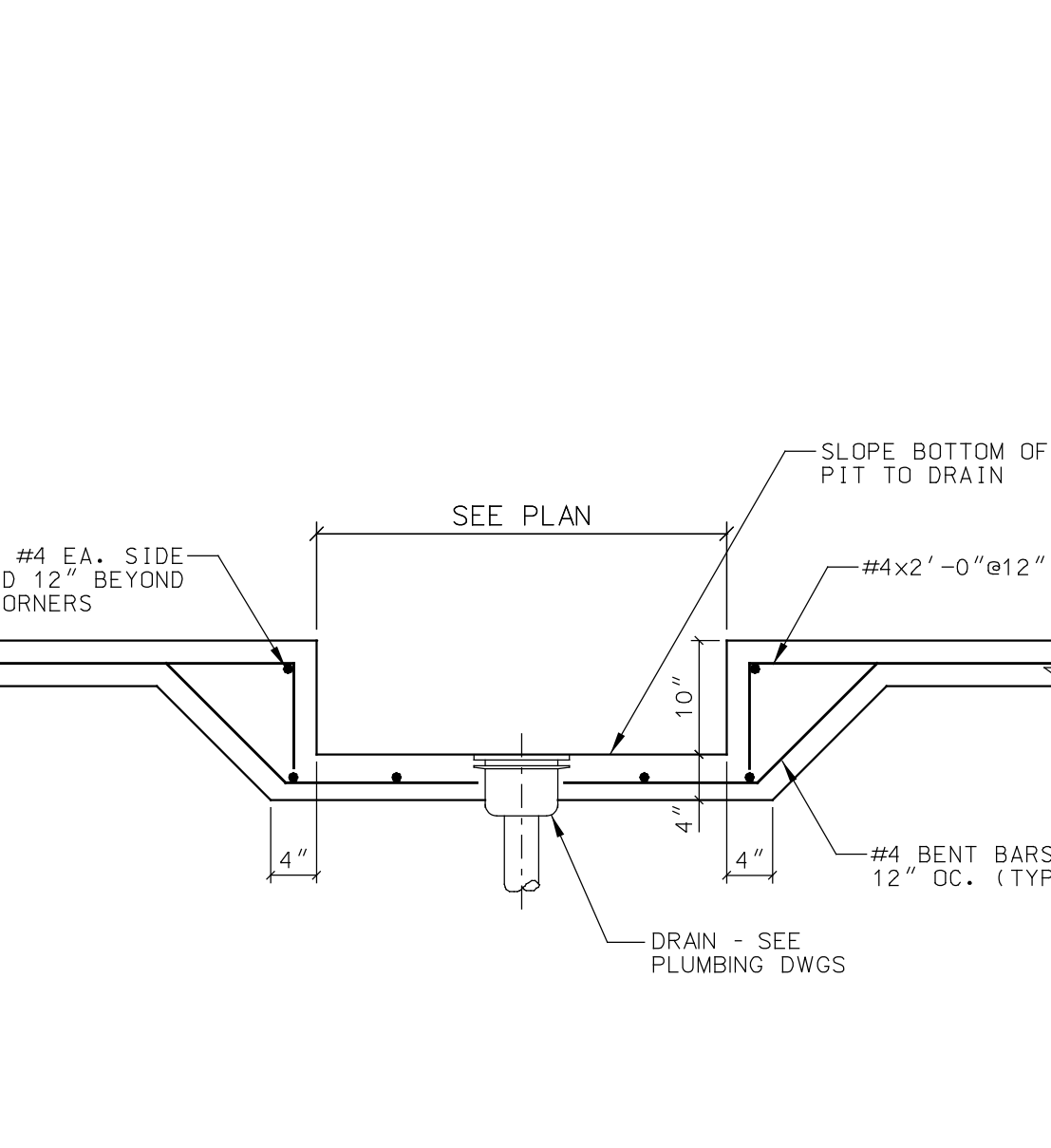
41 DOCK LEVELER PIT DETAIL
S7 3/4" = 1'-0"



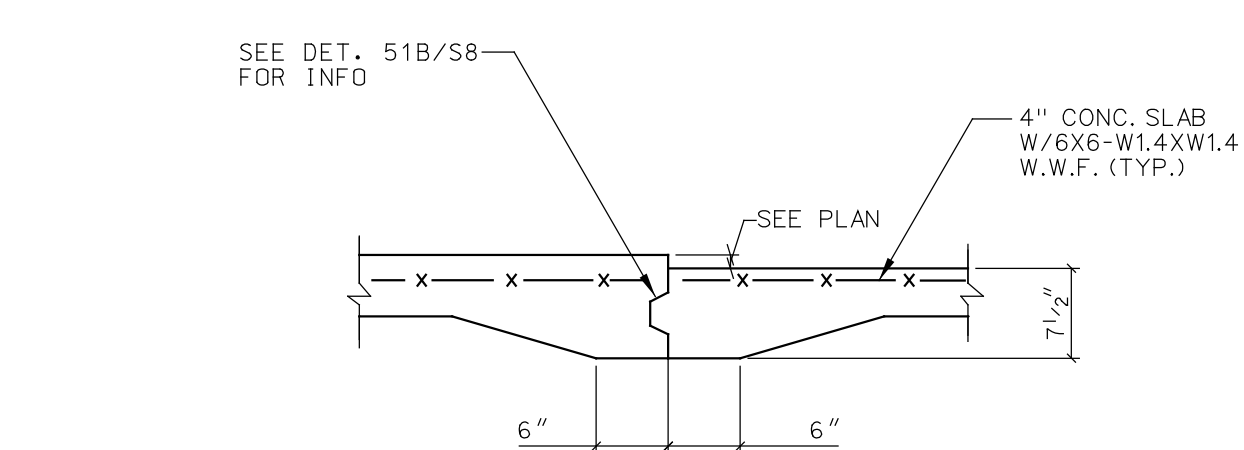
42 SLOPE FLOOR DRAIN INSTALLATION DETAIL
S7 3/4" = 1'-0"



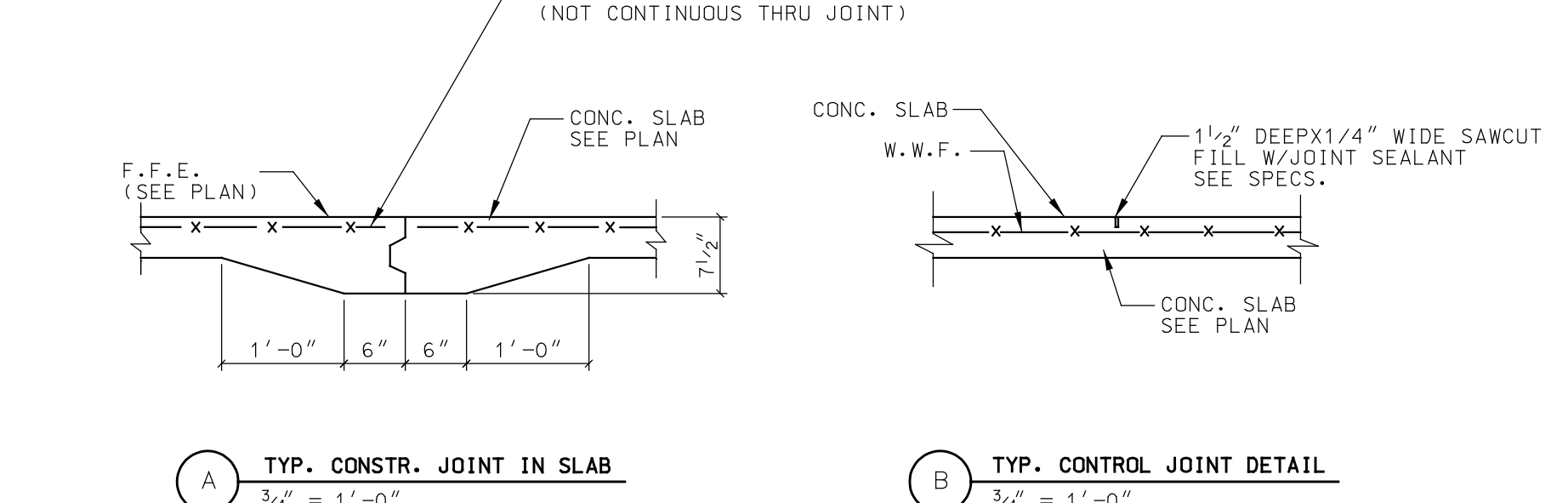
43 PREFABRICATED TRENCH DRAIN @ SLAB
S7 3/4" = 1'-0"



44 RECESSED SERVICE SINK
S7 3/4" = 1'-0"



50 SLAB RECESS @ FLOOR TILE
S7 3/4" = 1'-0"



51 SLAB JOINT DETAILS
S7 3/4" = 1'-0"

DATE	BY

DATE	BY

PROJECT TITLE
Hannaford
Riverside Street
Portland, Maine

SHEET TITLE
SLAB DETAILS

DESIGN	3/4" = 1'-0"
DRAWN	L. WICHORSKI
CHECKED	J. MORIN
DATE	AUGUST, 2004