

03/09/09

ITEM	TYPE	LOCATION	SAN. WASTE	HW FEED	HW FEED	FW FEED	VENT	MANUFACTURER	MODEL No.	REMARKS
SK-A	SINK	MEAT PREP	2	3/4	3/4	---	2	AERO	3F3-3020-24LR	
SK-B	SINK	PRODUCE PREP	2	3/4	3/4	---	2	AERO	3F3-2420-24LR	
SK-CL	SINK	PRODUCE PREP, DELI	2	1/2	1/2	---	1 1/2	AERO	3F1-2424-24L	
SK-D	SINK	BAKERY, DELI, SEAFOOD	1 1/2	1/2	3/8	---	1 1/4	AERO	HSB	
SK-DE	SINK W/ EW BRACKET	DELI, MEAT/PRODUCE PREP, BOTTLE ROOM	1 1/2	1/2	3/8	---	1 1/4	AERO	HSB WITH EW BRACKET	
SK-F	SINK	PHARMACY AND ASSOCIATE'S LOUNGE	2	1/2	1/2	---	1 1/2	ELKAY	PSR-1716	
SK-G	SINK	BAKERY	2	1/2	1/2	---	1 1/2	AERO	3F1-2118	
SK-H	SINK	DELI	2	1/2	1/2	---	2	ELKAY	3F3-2420	
LAY-A	LAVATORY	MAIN RESTROOMS	1 1/2	1/2	1/2	---	1 1/4	AMERICAN STANDARD	DEGLYN 0321-075	
LAY-B	LAVATORY	MAIN RESTROOMS	1 1/2	1/2	1/2	---	1 1/4	AMERICAN STANDARD	PATIENTS LAV 8140.047	
MB-1	MOP BASIN	RECEIVING AREA	3	3/4	3/4	---	2	CONTRACTOR	36"x48" CAST IN PLACE	
MB-2	MOP BASIN	BOTTLE ROOM	3	3/4	3/4	---	2	FIAT	MSB-3624	
DF-1	DRINKING FOUNTAIN	MAIN RESTROOM AREA	1 1/2	1/2	---	---	1 1/4	HALSEY TAYLOR	HRFE	
EW-1	EYE WASH	ALL SK-DE'S, PHARMACY	---	1/2	3/8	---	---	GUARDIAN EQUIPMENT	05022	
EW-2	EYE WASH	RECEIVING AREA	1 1/2	1/2	3/8	---	---	GUARDIAN EQUIPMENT	05016C	
WC-1	WATER CLOSET	MAIN RESTROOMS	3	1 1/4	---	---	2	AMERICAN STANDARD	MADERA 2234.015	
WC-2	WATER CLOSET	MAIN RESTROOMS	3	1 1/4	---	---	2	AMERICAN STANDARD	CADET 3043-102	
UR-1	URINAL	MAIN RESTROOM	2	3/4	---	---	1 1/2	AMERICAN STANDARD	WASHBOOR 0.7 6501-070	
TV-1	TEMPERING VALVE	EYEWASH STATIONS	---	1/2	1/2	---	---	LEONARD	MODEL TA-300	
TV-2	TEMPERING VALVE	HAND SINKS, LAVS, PREP. AREAS	---	3/4	3/4	---	---	LEONARD	TM-554-TA1 TA-254T-3TC RESTROOM LAVS	

- NOTES:
1. REFER TO SPEC SECTION 15450 FOR LIST OF ACCEPTABLE ALTERNATIVES.
2. FIXTURE SUPPLY AND VENT CONNECTIONS ARE AS SHOWN IN SCHEDULE U.N.G. ON PLANS.
3. VENT SIZE IS SPECIFIED FOR SOLE FIXTURE ONLY.
4. CONTRACTOR TO VERIFY NUMBER OF FIXTURES AND TYPE WITH FIXTURE PLAN (HA1)

TAG	MANUFACTURER	MODEL	SIZE INCHES	GPM	TON FEET	RPM	HP	ELECTRICAL	LOCATION
CP-1	TACD	0010B	1	20.0	7	3250	1/15	115V-1PH	DOMESTIC HOT WATER
CP-2	TACD	006B	1	3.0	3.2	3250	1/35	115V-1PH	HEAT EXCHANGER HE-1
CP-3	TACD	005B	1	10.0	3.5	3250	1/35	115V-1PH	HEAT EXCHANGER HE-2
CP-4	TACD	006B	1	6.0	3.2	3250	1/35	115V-1PH	HEAT EXCHANGER HE-3

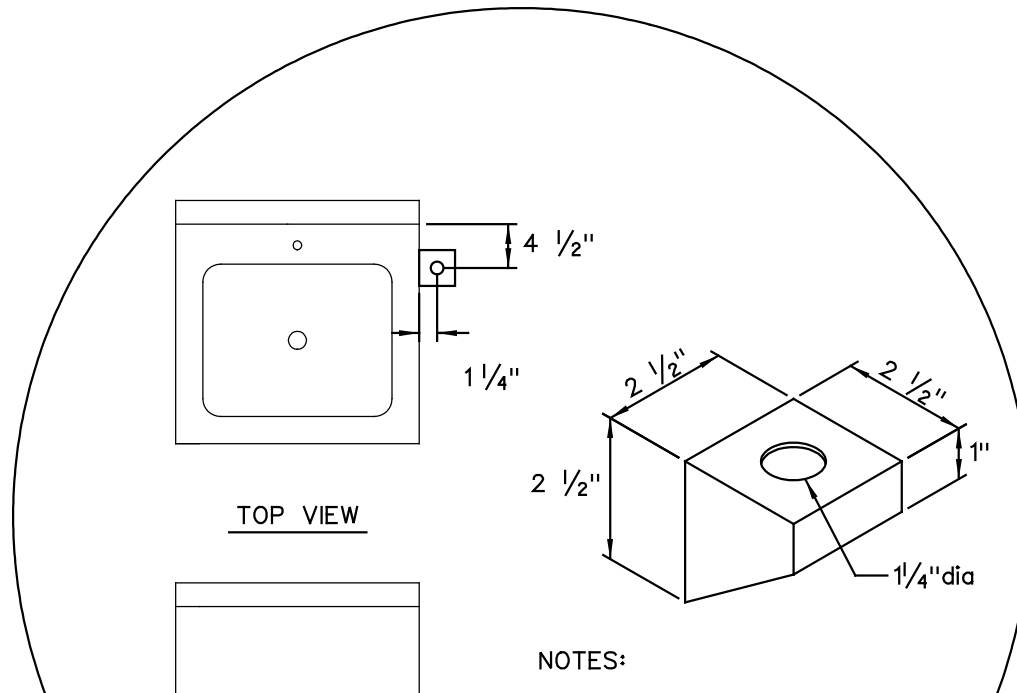
TAG	SERVES	HEAT CAPUT (BTU/H)	HOT SIDE					COLD SIDE				
			GPM IN	E.W.T.	L.W.T.	PRES. DROP (FT-1)	GPM IN	E.W.T.	L.W.T.	PRES. DROP (FT-1)		
HE-1	FC-1	12,000	3.0	140	130	3.2	3.0	122	130	2.0		
HE-2	FC-2, FC-3, FC-4	47,650	10.0	140	130	3.5	3.0	119.6	130	3.2		
HE-3	FC-5, FC-6	27,850	6.0	140	130	3.2	6.0	121	130	2.4		

- NOTES:
1. ALL HW AND CW DROPS IN OUTSIDE WALLS MUST BE 1/4" ABOVE FINISH. VENTS MUST CONTACT THE OUTSIDE WALL. COLLUMS MUST HAVE A THERMAL BREAK. FOR DETAIL- SEE P3.
2. CW AND HW LINES TO BE INSULATED.
3. PROVIDE CONDENSATE DRAINS FOR ALL EVAPORATORS AND RTU'S AS REQUIRED PER MANUFACTURER.
4. WATER CONNECTIONS TO THE OVEN AND THE PROOFER SHALL BE SOFT COPPER.
5. RUN ALL PIPING ABOVE THE BOTTOM EDGE OF BAR DISTS AS TIGHT TO ROOF DECK AS POSSIBLE.
6. COORDINATE LOCATION OF PIPING WITH DUCTWORK, SPRINKLER LINES, REFRIGERATION, AND LIGHTING. NO PIPING SHALL BE RUN OVER ELECTRICAL PANELS. TYPICAL.
7. ALL HW AND CW BRANCHES SHALL HAVE BALL VALVES FOR ISOLATION FROM THE MAIN.
8. ALL PIPING RUN BELOW SLAB SHALL BE INSULATED. EXTEND INSULATION THROUGH THE FLOOR.
9. RUN PIPING DIRECTLY ABOVE FIXTURES WHERE POSSIBLE. DROPPING STRAIGHT DOWN TO FIXTURES, SHOWN FURTHER ON DRAWING FOR CLARITY.
10. SANITIZING UNITS ARE USED ON THE MEAT PREP, SEAFOOD, JANITOR'S, AND DELI SINKS TOTAL. ALL 5-BAY SINKS SHALL HAVE SANITIZING TO BE PROVIDED BY THE OWNER AND INSTALLED BY THE PLUMBING CONTRACTOR.
11. ALL VALVES 2" AND UNDER SHALL BE BALL VALVES UNLESS NOTED OTHERWISE. ALL VALVES OVER 2" SHALL BE GATE VALVES.

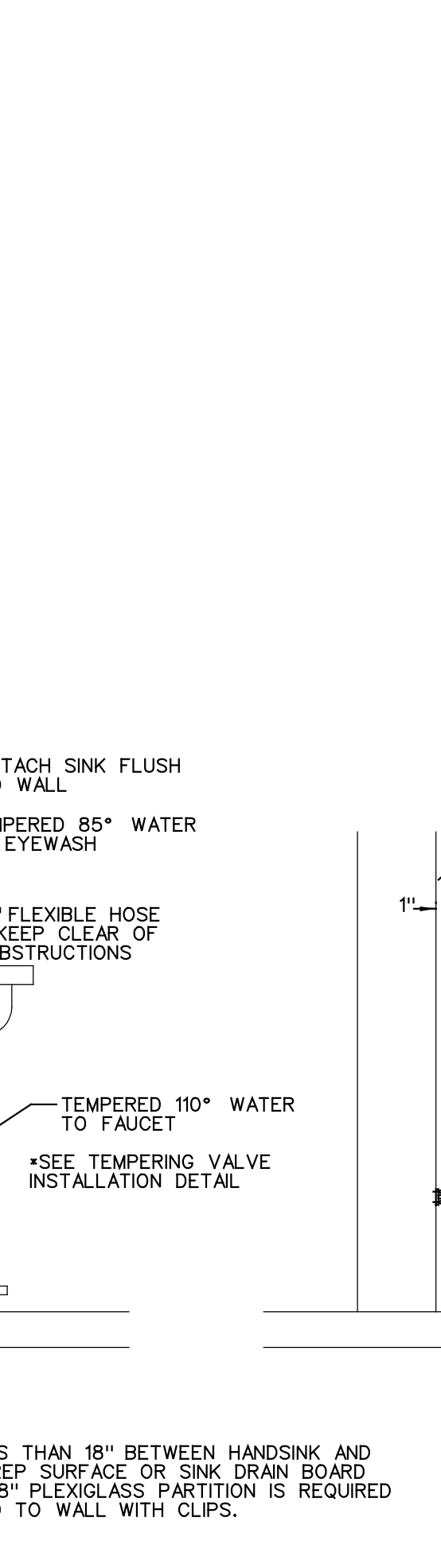
DESIG.	MFGR & MODEL
FD-A	ZURN ZN-415 WITH HD TYPE B STRAINER
FD-B	ZURN ZN-415 WITH TYPE E STRAINER
FD-F	ZURN Z-1750-Y5-3
FD-T	ZURN Z-897-BFS-7 CATCH BASIN W/ SEDIMENT BUCKET SIZE 6X60

NOTE: TOP OF ALL DRAINS AT 100'-0" (FIN. FLR) UNLESS ELEVATION NOTED ON STUBUP TAG

UNIT SERVED	GPM	BALANCING VALVE
FC-1	3	1/2" Cv= 5.3
FC-2	3	1/2" Cv= 5.3
FC-3	3	1/2" Cv= 5.3
FC-4	3	1/2" Cv= 5.3
FC-5	3	1/2" Cv= 5.3
FC-6	3	1/2" Cv= 5.3

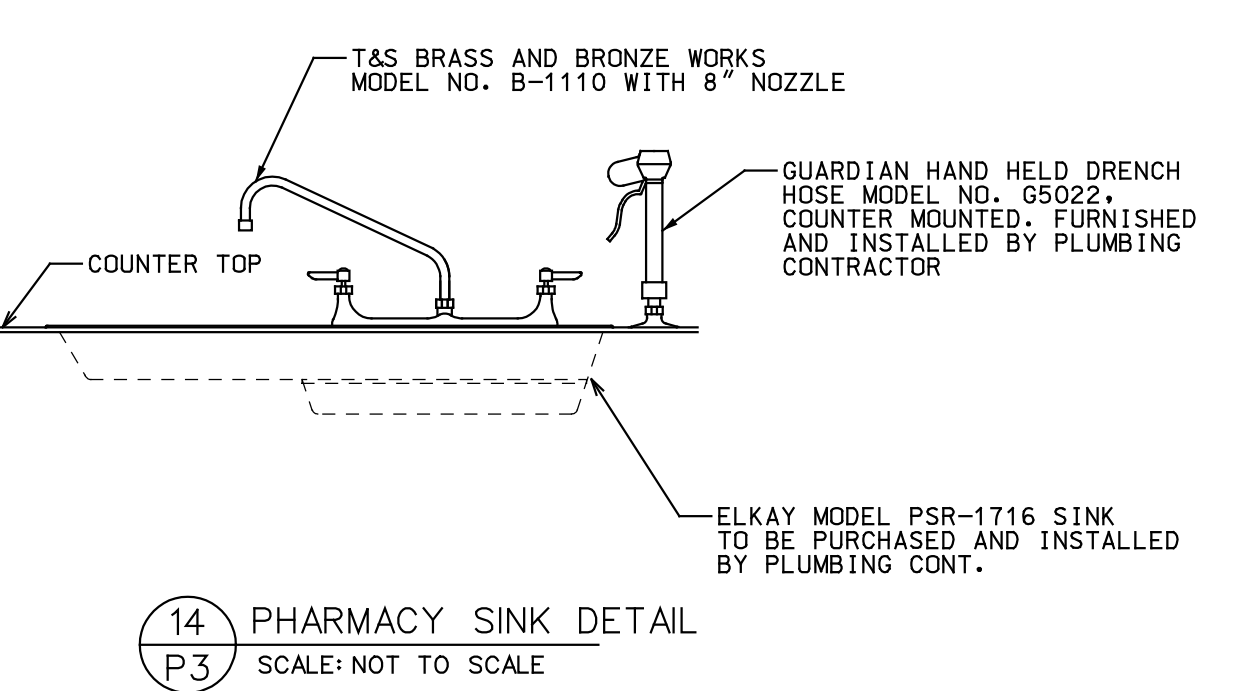


NOTES:
1. 16 GA STAINLESS STEEL CONSTRUCTION.
2. CORNERS SHALL BE WELDED AND GROUNDED SMOOTH.
3. FASTEN TO SINK WITH (2) #10X32 STAINLESS STEEL PAN-HEAD BOLTS.

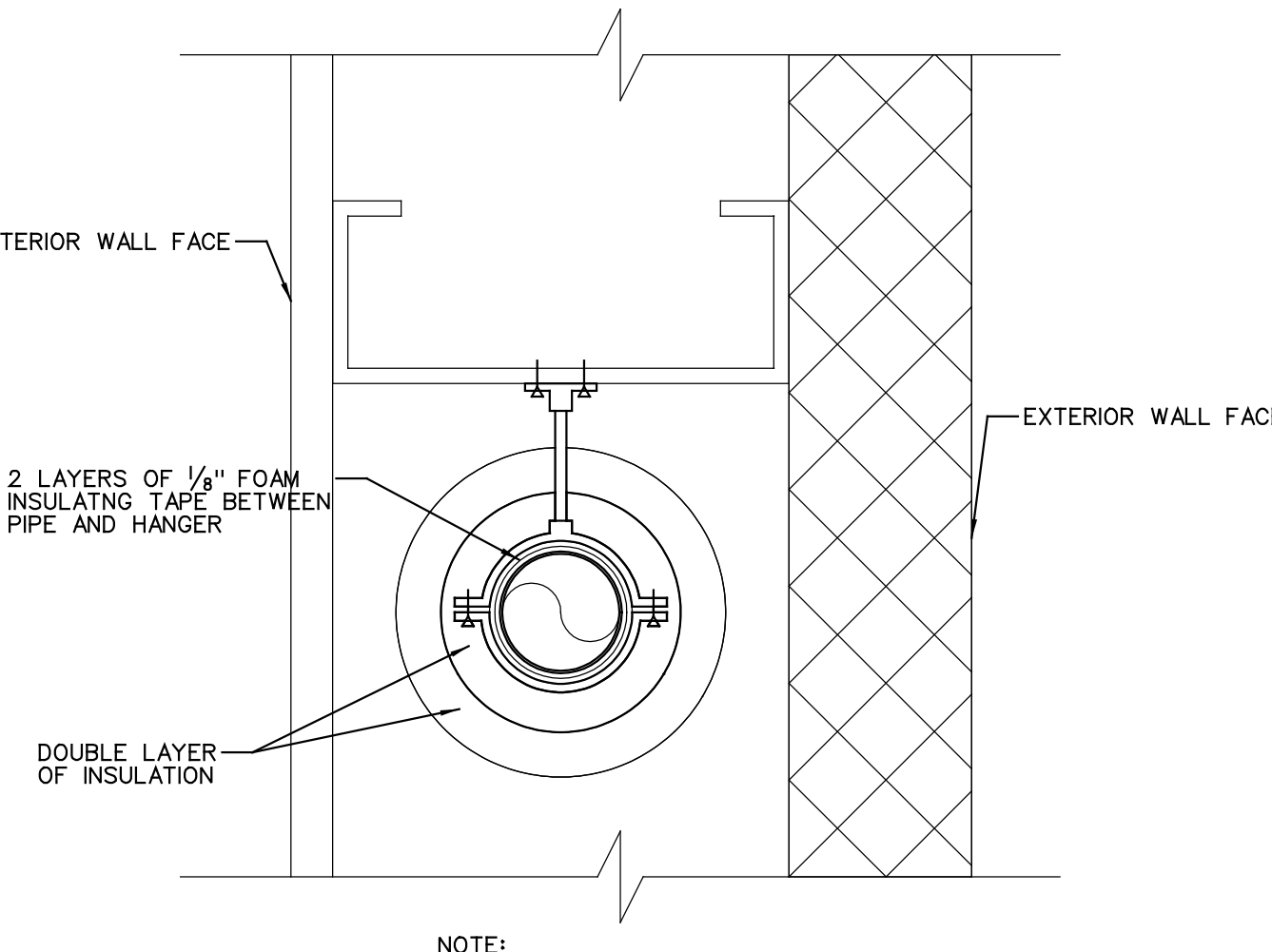


NOTE:
1. IF LESS THAN 18" BETWEEN HANDSINK AND FOOD PREP SURFACE OR SINK DRAIN BOARD AN 18"x18" PLEXIGLASS PARTITION IS REQUIRED MOUNTED TO WALL WITH CLIPS.

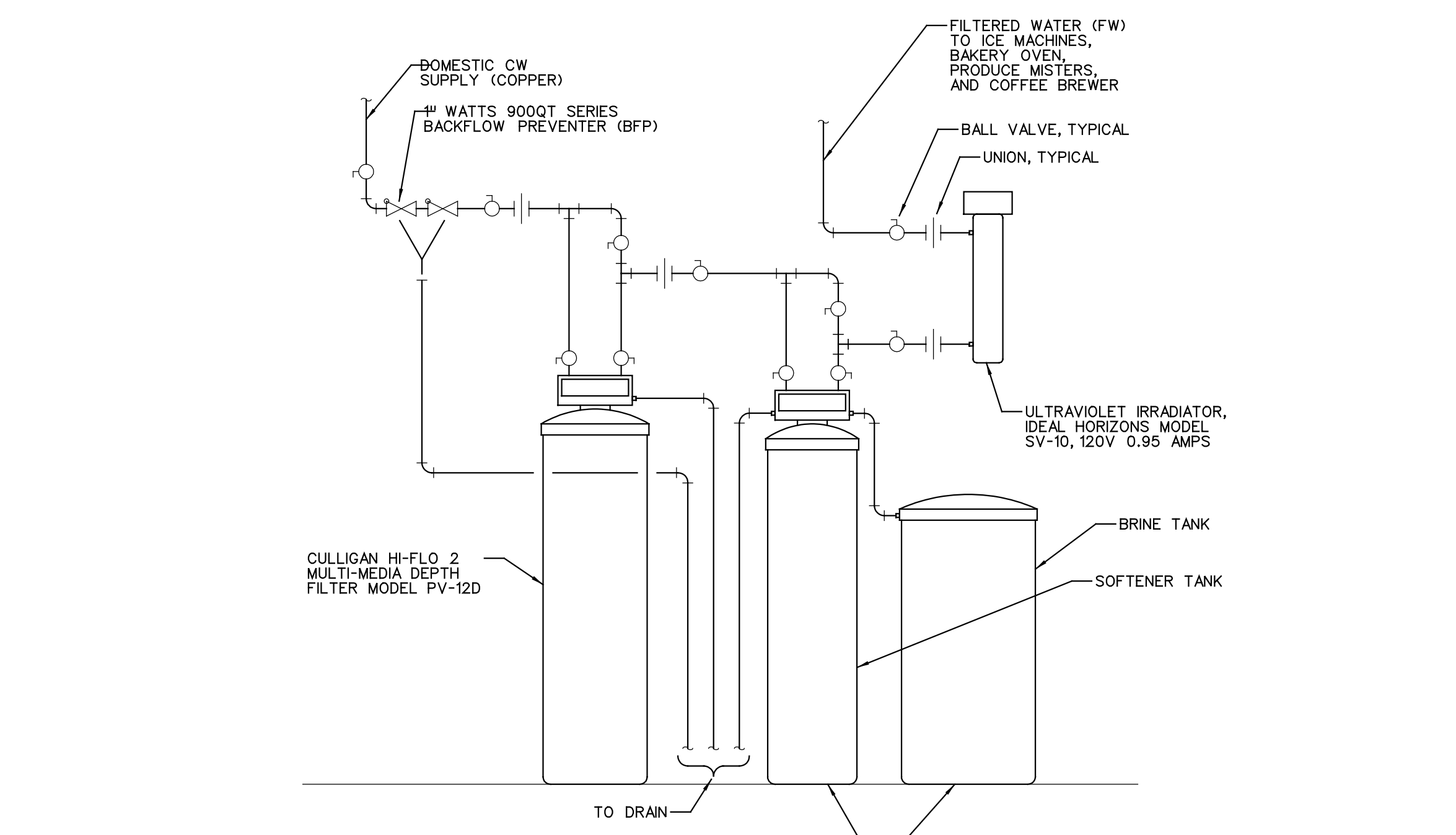
44 SINK SUPPORT DETAIL
P2 SCALE: NOT TO SCALE



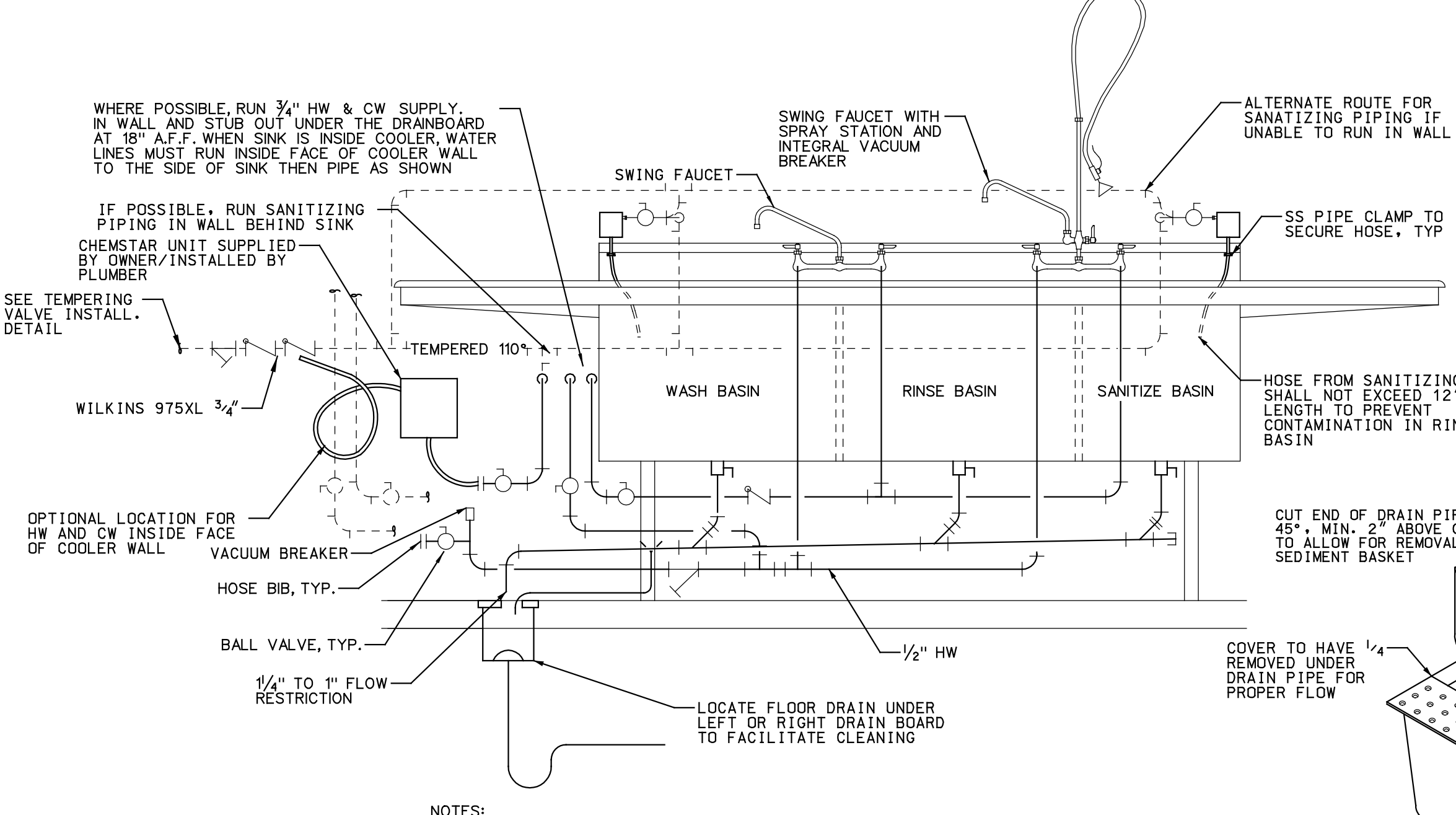
14 PHARMACY SINK DETAIL
P3 SCALE: NOT TO SCALE



24 PIPING IN EXTERIOR WALL DETAIL
P3 SCALE: NOT TO SCALE

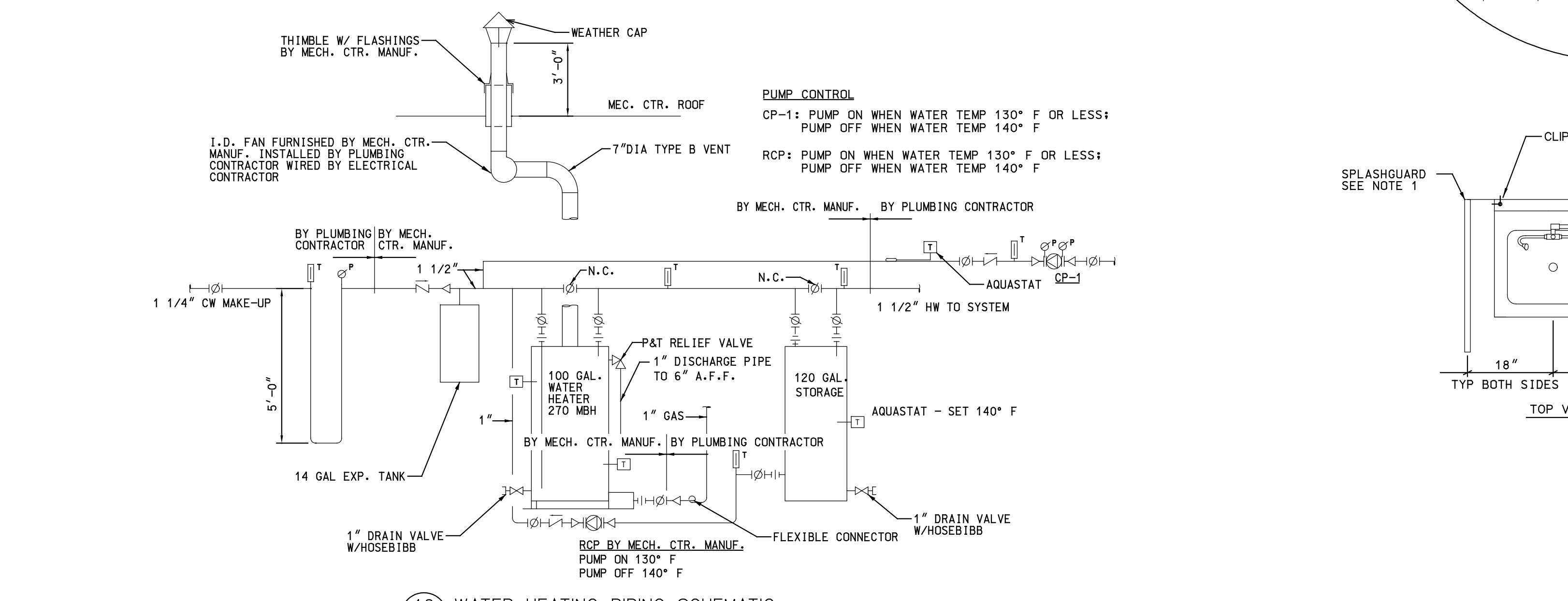


26 WATER FILTERING SYSTEM DETAIL
P2 SCALE: NOT TO SCALE



- NOTES:
1. LOCATE HOSE BIB ON REAR LEG OF SINK.
2. THE THREE BAY SEAFOOD SINK SHALL HAVE A SINGLE FAUCET. THE SINGLE BAY SINK SHALL HAVE SPRAY ONLY.
3. THE DELI HOSE BIB SHALL BE LOCATED ON A SINGLE BAY SCULLERY SINK.
4. DRAIN BOARDS SHALL BE PROVIDED AS SPECIFIED ON THE FIXTURE PLAN.
5. OMIT THE SPRAY STATION IN THE CHEESE DEPARTMENT.

46 SCULLERY SINK PIPING DETAIL
P2 SCALE: NOT TO SCALE



42 WATER HEATING PIPING SCHEMATIC
P2 SCALE: NOT TO SCALE

PLUMBING LEGEND			
AF/F.F.	ABOVE FINISHED FLOOR	HHWB	HOT WATER HOSE BIBB
AL	ALUMINUM	IE	INVERT ELEVATION
AD	ACCESS DOOR	LAV	LAVATORY
AP	ACCESS PANEL	LDR	ROOF LEADER
BFP	BACKFLOW PREVENTER	MN	MINIMUM
BV	BACKWATER VALVE	N/S/A/T.S.	NOT TO SCALE
CI	CAST IRON	OD	OUTSIDE DIAMETER
CO	CLEANOUT	OS&Y	OUTSIDE SCREW & YOKE
COND	CONDENSATE	PRV	PRESSURE REDUCING VALVE
CONT	CONTINUED	REF	REFRIGERATION
COOP	CLEANOUT DECK PLATE	RD	ROOF DRAIN
COWP	CLEANOUT WALL PLATE	RHB	RECESSED HOSE BIBB
CW	COLD WATER	STL	STEEL
DEG	DEGREES	SK	SINK
DIA/DG	DIAMETER	T&P	TEMPERATURE & PRESSURE
DN	DOWN	TEMP	TEMPERATURE
EQUIP	EQUIPMENT	TYP	TYPICAL
EW	ELECTRIC WATER COOLER	UR	URINAL
FD	FIRE DEPARTMENT CONNECTION	V	VENT
FD	FLOOR DRAIN	VTR	VENT TO ROOF
FLR	FLOOR	W	WASTE
FWH	FIREPROOF WATER HYDRANT	WC	WATER CLOSET
FT	FOOT	WH	WATER HEATER
FW	FILTERED WATER		
HW	HOT WATER		

52 DOMESTIC WATER LOOP CIRC PUMP CONTROL SCHEMATIC
P3 SCALE: NOT TO SCALE

DATE	DESCRIPTION