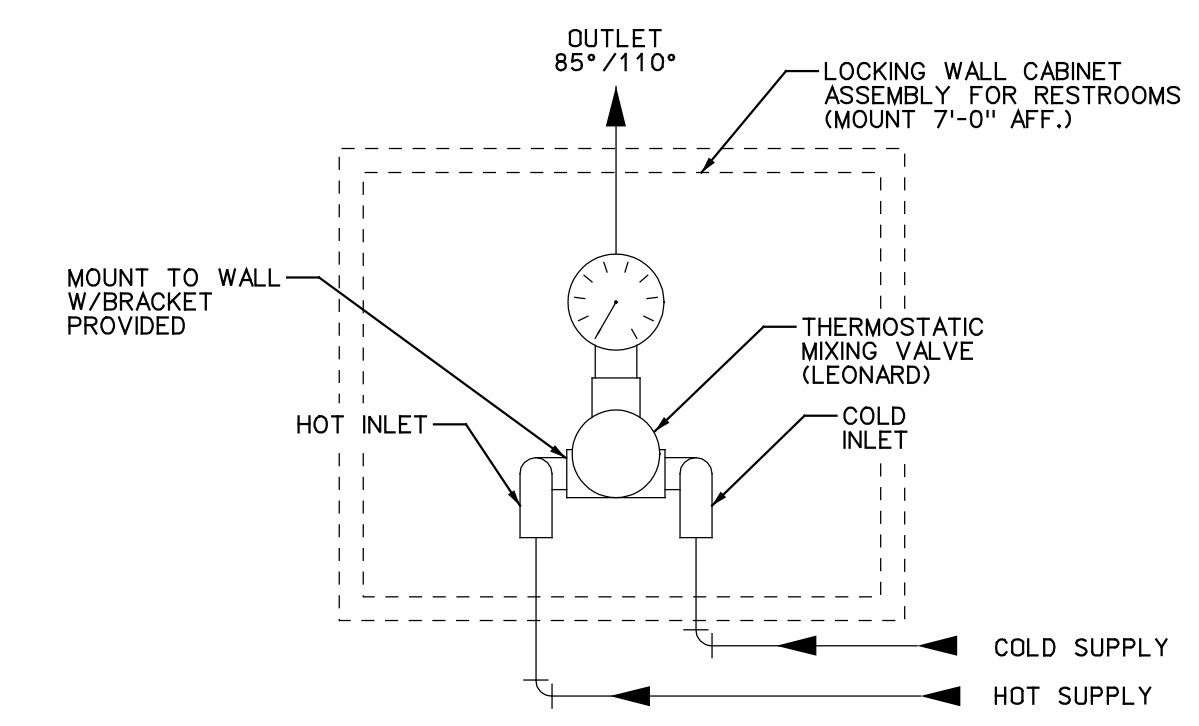
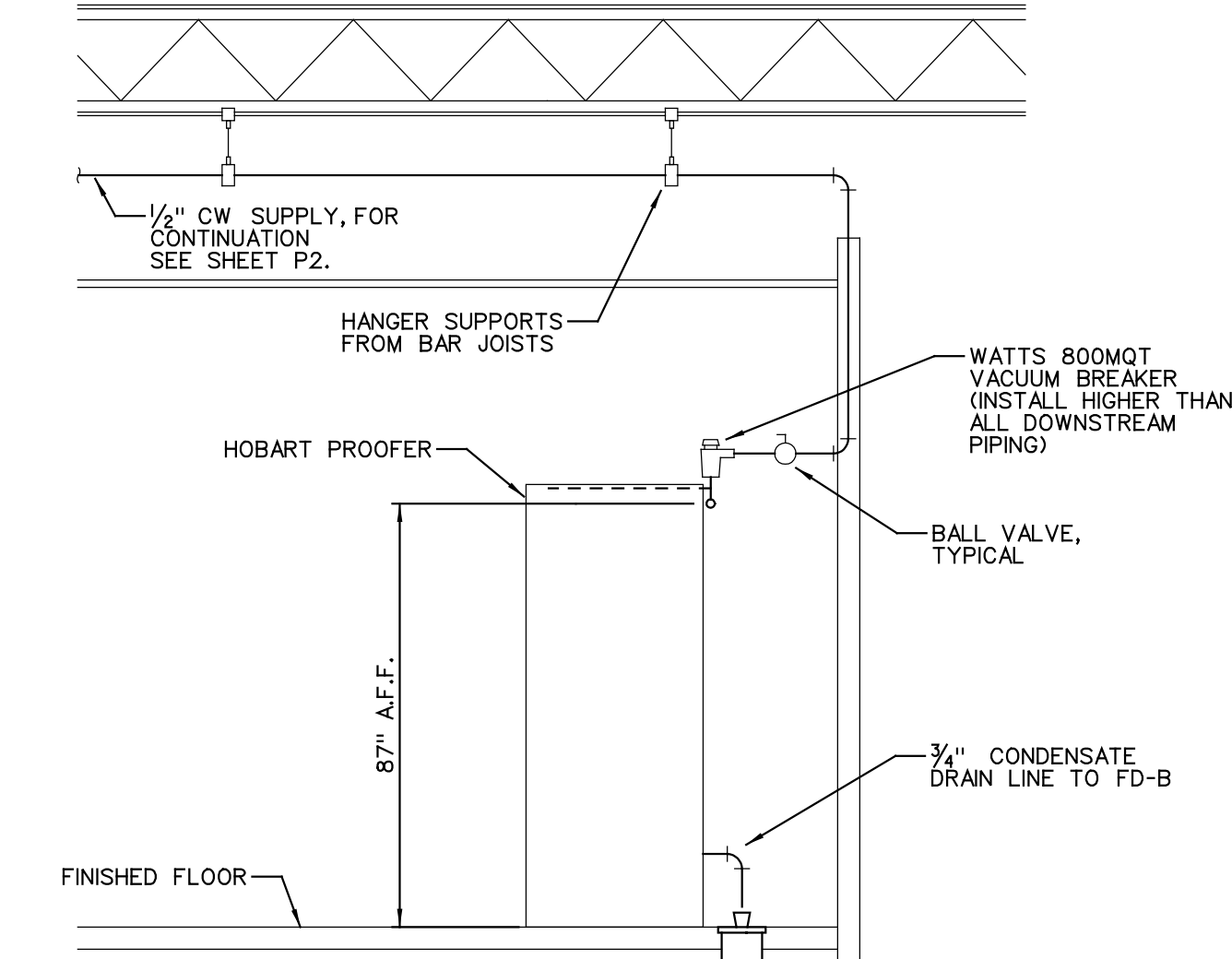
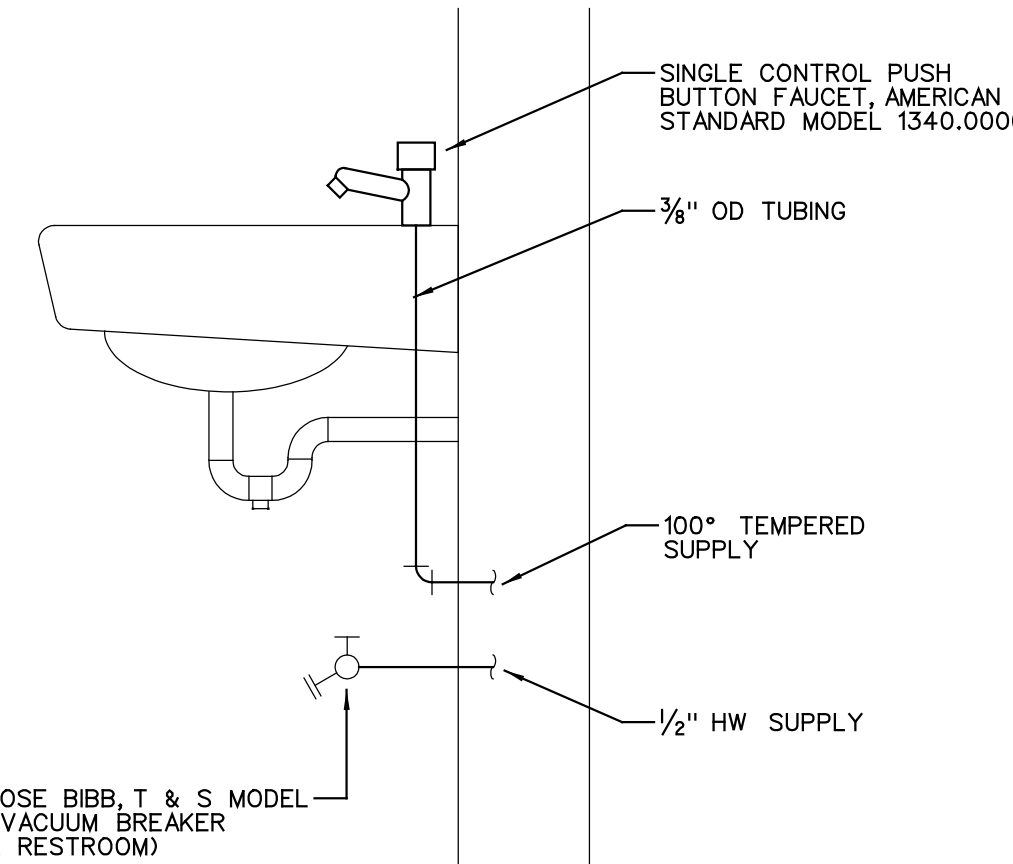
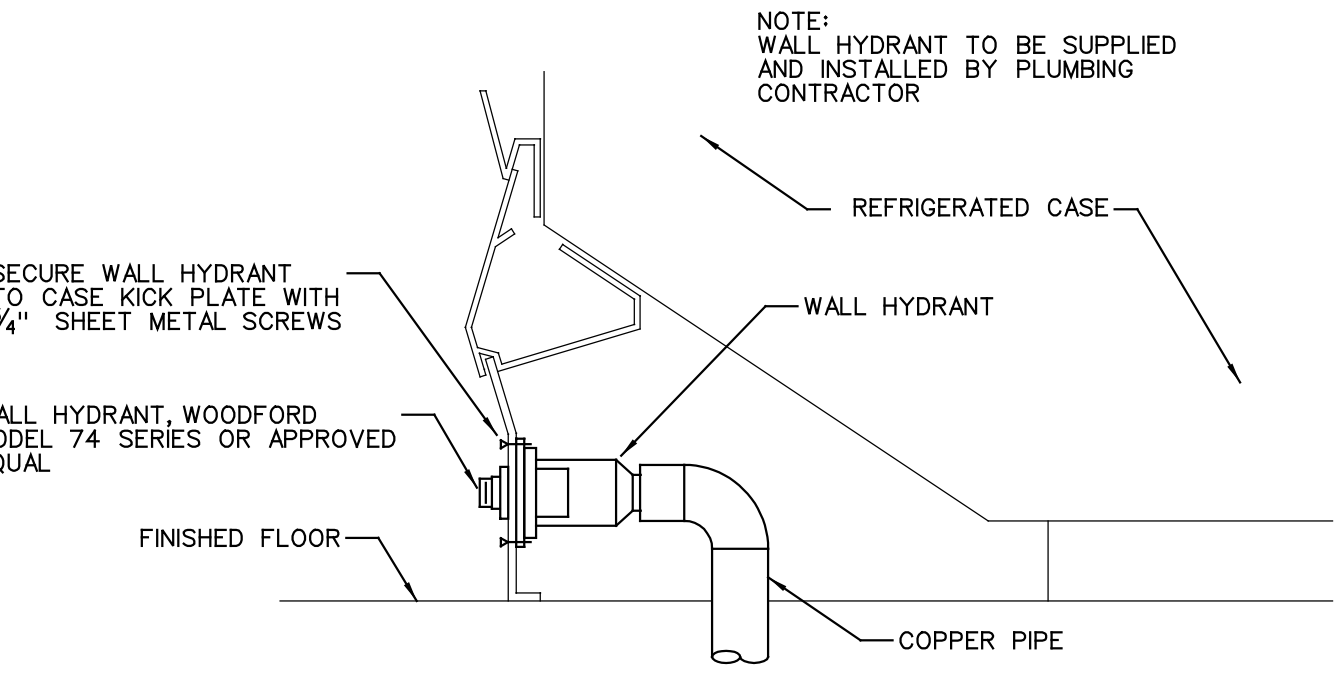
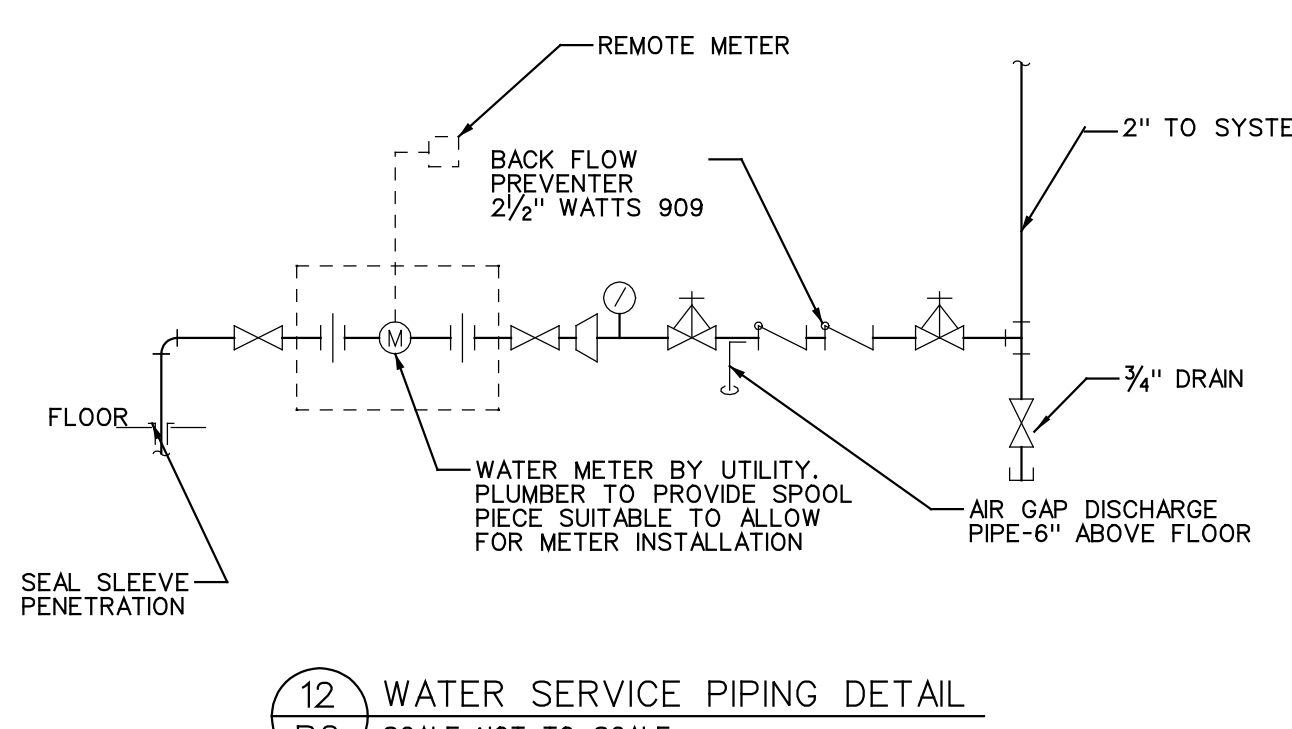
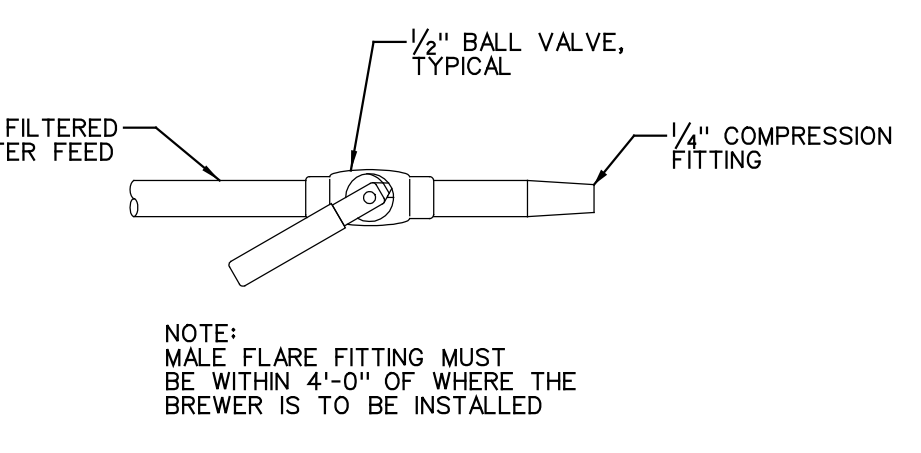
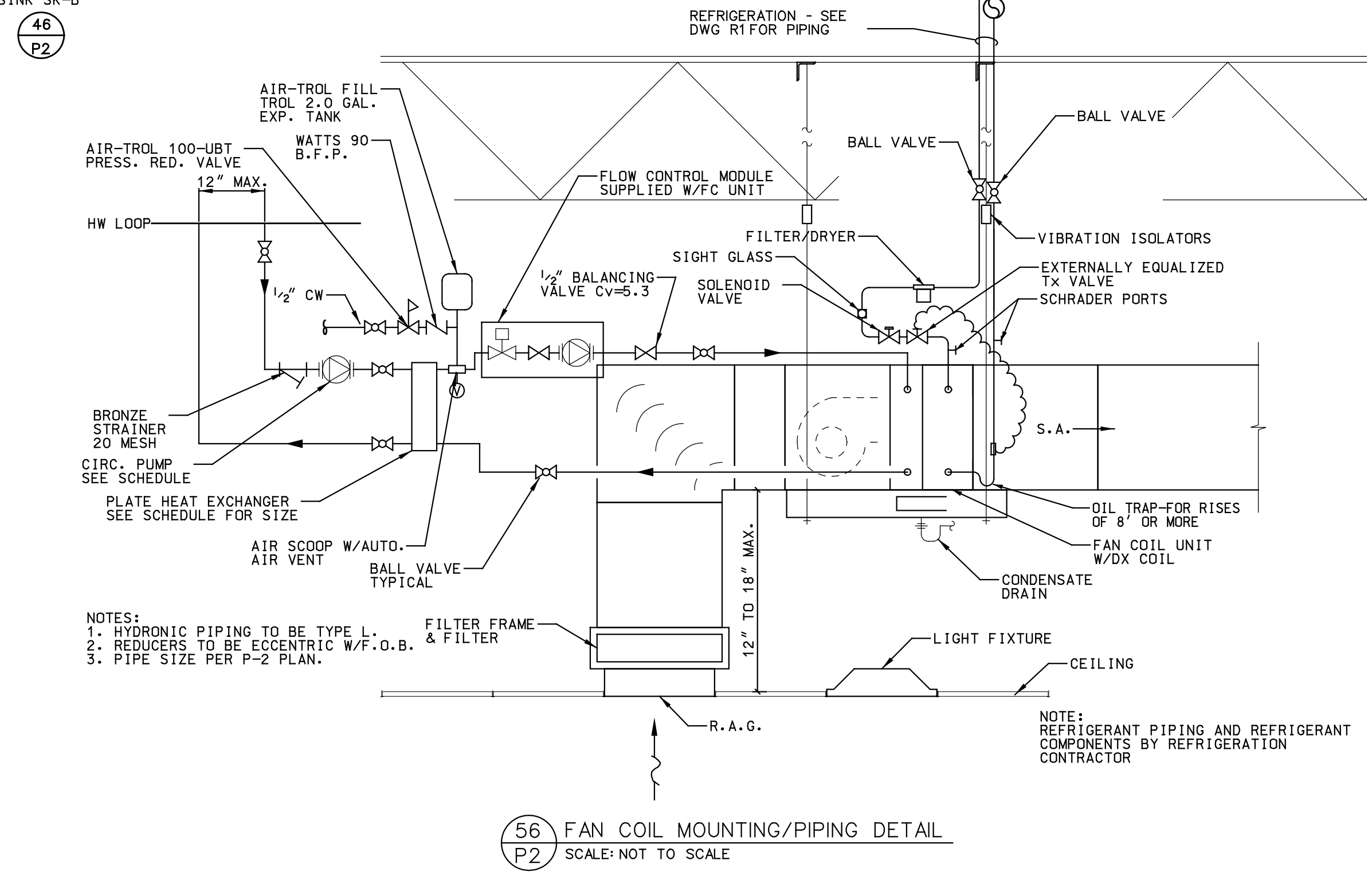
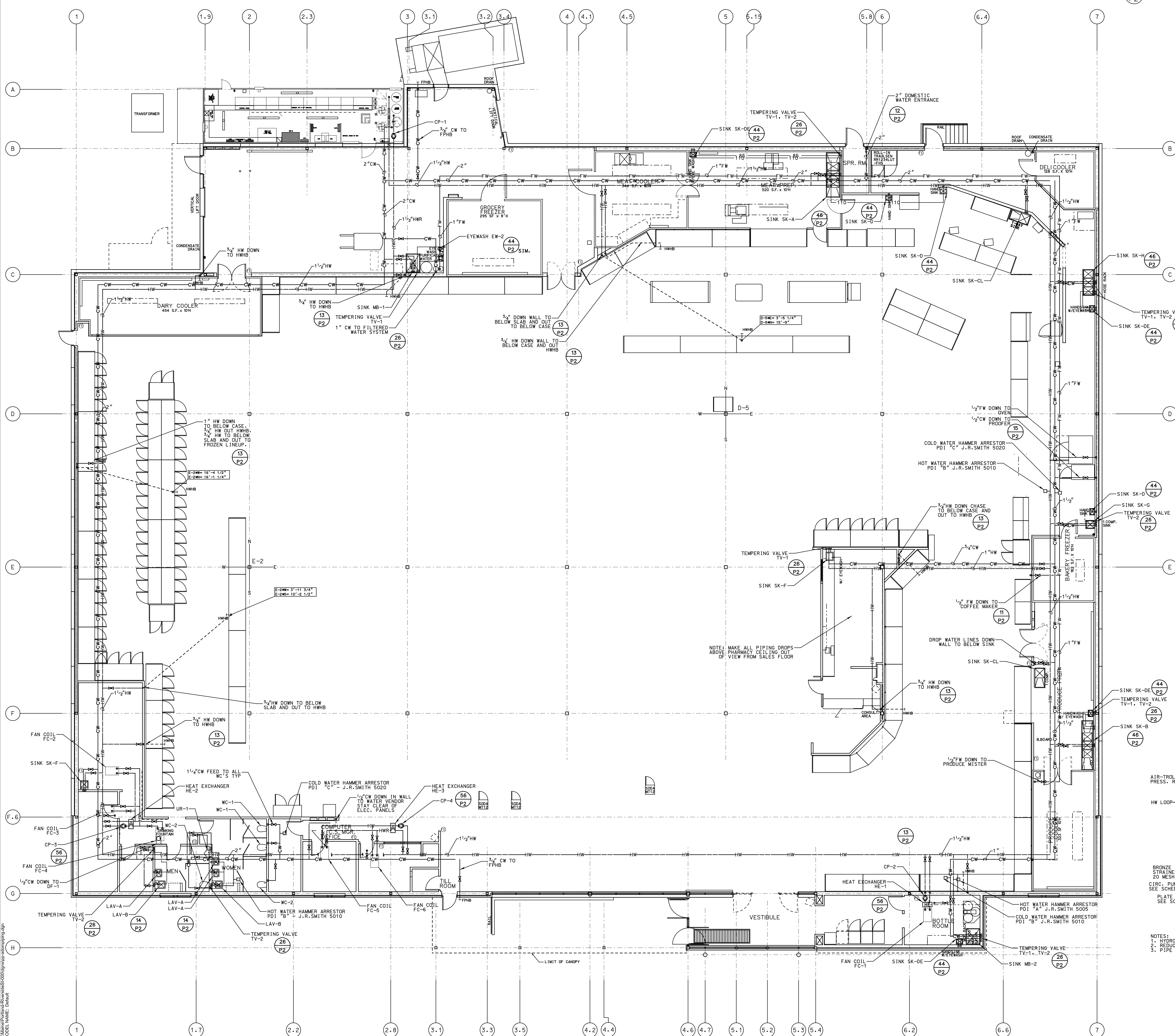


NOTES:
 1. ALL BRANCHES FROM HW, CW, AND FW SUPPLY SHALL HAVE ACCESSIBLE BALL VALVES - 2 FEET MAXIMUM ABOVE CEILING WALL PARTITIONS. (NOT ALL VALVES ARE SHOWN ON PLAN.)
 2. ALL PIPING TO BE HIDDEN EITHER IN CEILING CAVITIES, WALLS, BEHIND SOFFITS, OR TIGHT TO ROOF STEEL.



NOTES:
 1. TYPICAL INSTALLATION OF BOTH EYEWASH AND LAVATORY AREA TEMPERING VALVES.
 2. LOCATE BELOW DRINK BOARD OF 3-BAY SINK IN PREP AREAS UNLESS OTHERWISE NOTED.
 3. CLEARLY LABEL TEMPERED WATER LINES ACCORDINGLY (110° OR 85°)



NOTES:
 1. HYDRONIC PIPING TO BE TYPE L REDUCERS TO BE ECCENTRIC W/F.O.B. & FILTER.
 2. PIPING TO BE HIDDEN IN CEILING CAVITIES, WALLS, BEHIND SOFFITS, OR TIGHT TO ROOF STEEL.
 3. PIPE SIZE PER P-2 PLAN.

DATE	BY	CHKD	APP'D
DATE	BY	CHKD	APP'D
DATE	BY	CHKD	APP'D

PROJECT TITLE
 Hannaford
 Riverside Street
 Portland, Maine

SHEET TITLE
 Domestic Water Piping

DESIGN	M.M.
DRAWN	M.M.
CHECKED	J.M.
PROJ MGR	J.M.
DATE	AUGUST, 2004

SHEET
P-2