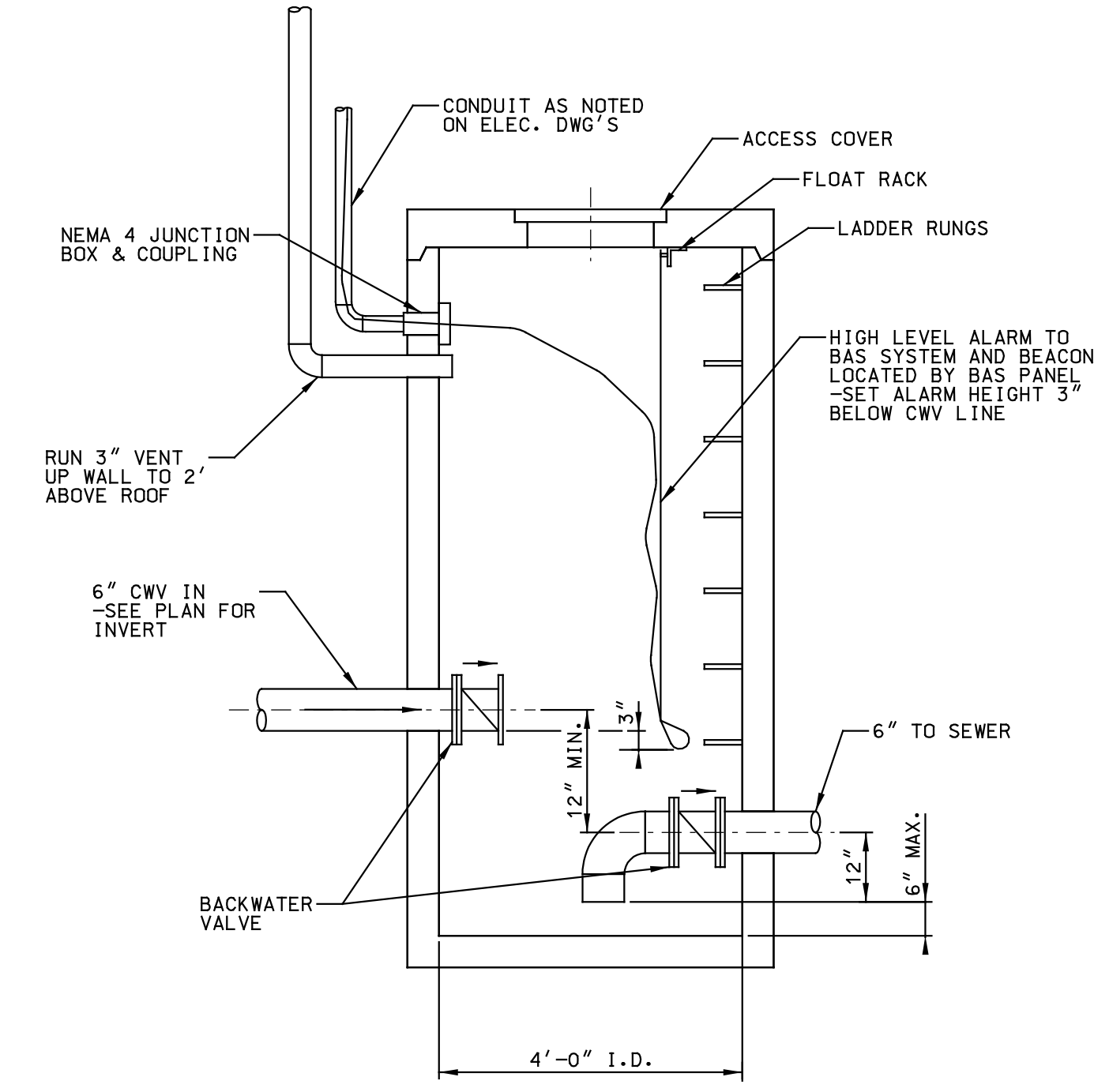
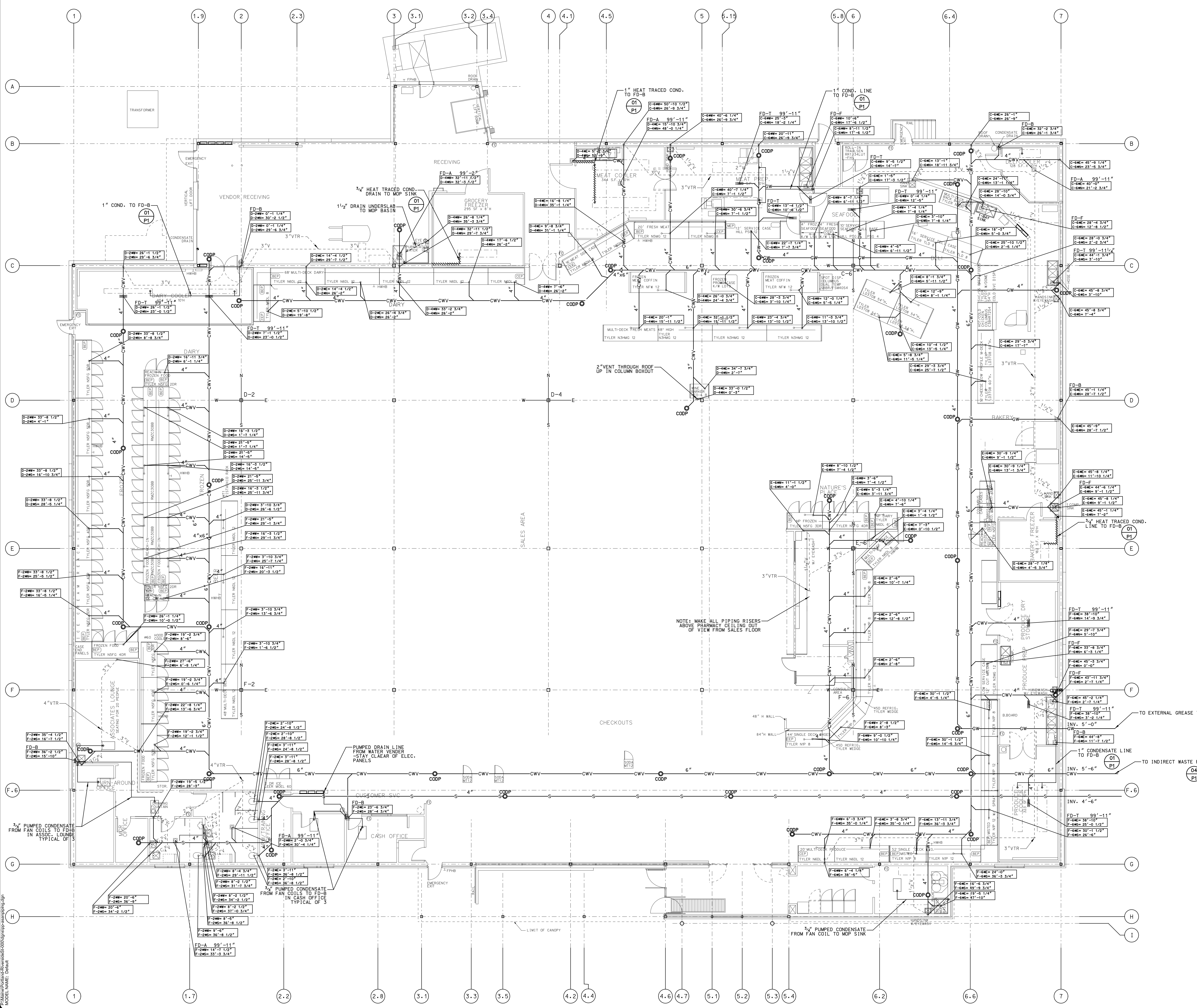


NOTE:  
 1. ALL UNDERSLAB PIPING SHALL BE SLOPED 1/4" FT UNLESS OTHERWISE NOTED.  
 2. VENTS PENETRATING ROOF SHALL BE A MINIMUM 3" FROM MAKE UP AIR UNIT.  
 3. ALL VENTS THROUGH ROOF SHALL BE A MINIMUM 3" FROM MAKE UP AIR UNIT.  
 4. CASE PIPING TO BE DETERMINED IN THE FIELD BY TYPE OF CASE. SEE DETAILS 3 AND 4 THIS SHEET.



DATE	BY	DESCRIPTION

DATE	BY	DESCRIPTION

DATE	BY	DESCRIPTION

DATE	BY	DESCRIPTION

DATE	BY	DESCRIPTION

DATE	BY	DESCRIPTION

DATE	BY	DESCRIPTION

DATE	BY	DESCRIPTION

DATE	BY	DESCRIPTION

DATE	BY	DESCRIPTION

DATE	BY	DESCRIPTION

DATE	BY	DESCRIPTION