

ROOFTOP HVAC UNIT SCHEDULE table with columns for TAG, MANUF., MODEL, COOLING FCB, HEATING FCB, etc.

FAN COIL SCHEDULE table with columns for ITEM, UNIT SERVED, GROSS MBH, S.S.T., AMBIENT, etc.

HEATER SCHEDULE table with columns for ITEM, SERVES, TYPE, BTUH, GAS, etc.

EXHAUST/RECIRCULATION FAN SCHEDULE table with columns for ITEM, SERVES, MANUFACTURER, MODEL, etc.

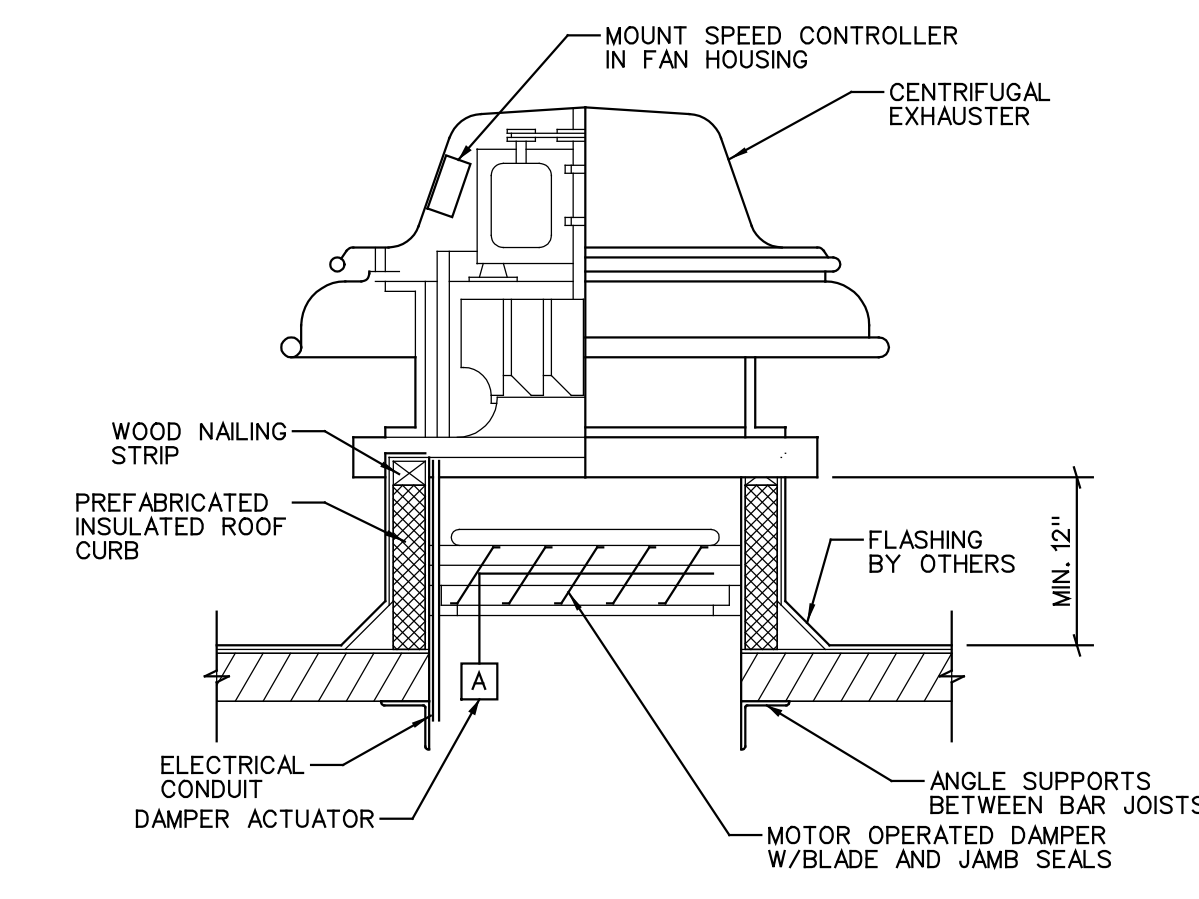
HOOD SCHEDULE table with columns for ITEM, SERVES, MANUFACTURER, INTERIOR MODEL, etc.

NOTES: 1. ALL DUCTWORK PASSING THROUGH FIRE RATED WALLS OR FLOORS MUST HAVE FIRE DAMPERS AT EACH PENETRATION.

MECHANICAL LEGEND: SUPPLY AIR DIFFUSER, RETURN AIR REGISTER/GRILLE, EXHAUST REGISTER/GRILLE, etc.

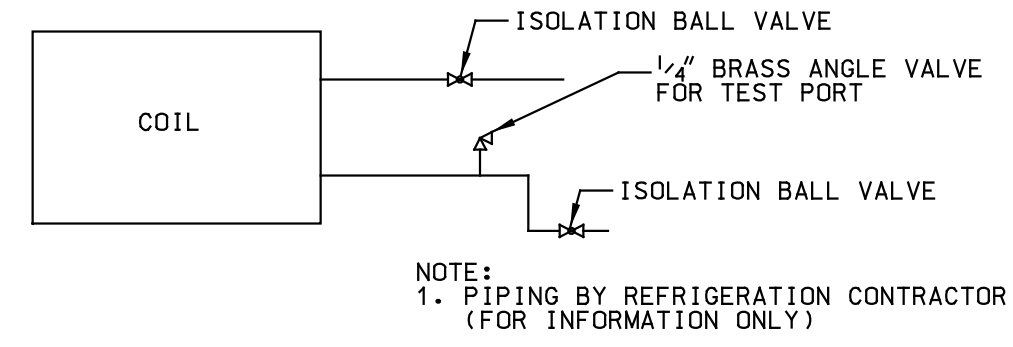
G.R.D./LOUVER SCHEDULE table with columns for ITEM, CFM, FRAME, BASIS OF DESIGN, etc.

NOTES: 1. ALL DUCTWORK ON THE SALES FLOOR SHALL BE 2" BELOW BAR JOISTS. TYPICAL DUCTWORK SHALL BE 1" ABOVE BAR JOISTS.

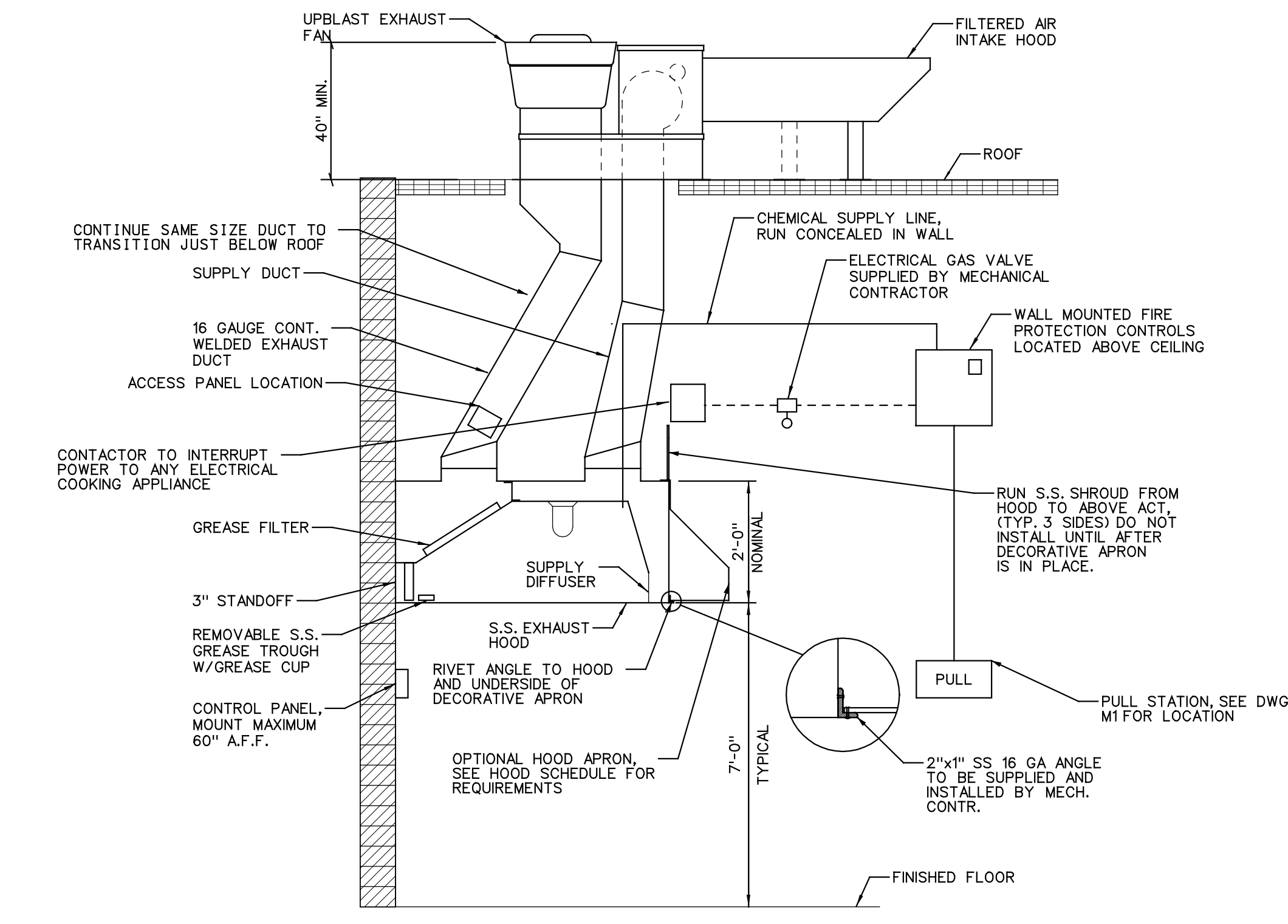


NOTES: 1. FURNISHING AND LOCATION OF STEEL ROOF MOUNTING FRAMES ARE THE RESPONSIBILITY OF THE MECHANICAL CONTRACTOR.

26 ROOFTOP EXHAUST FAN DETAIL SCALE: NOT TO SCALE

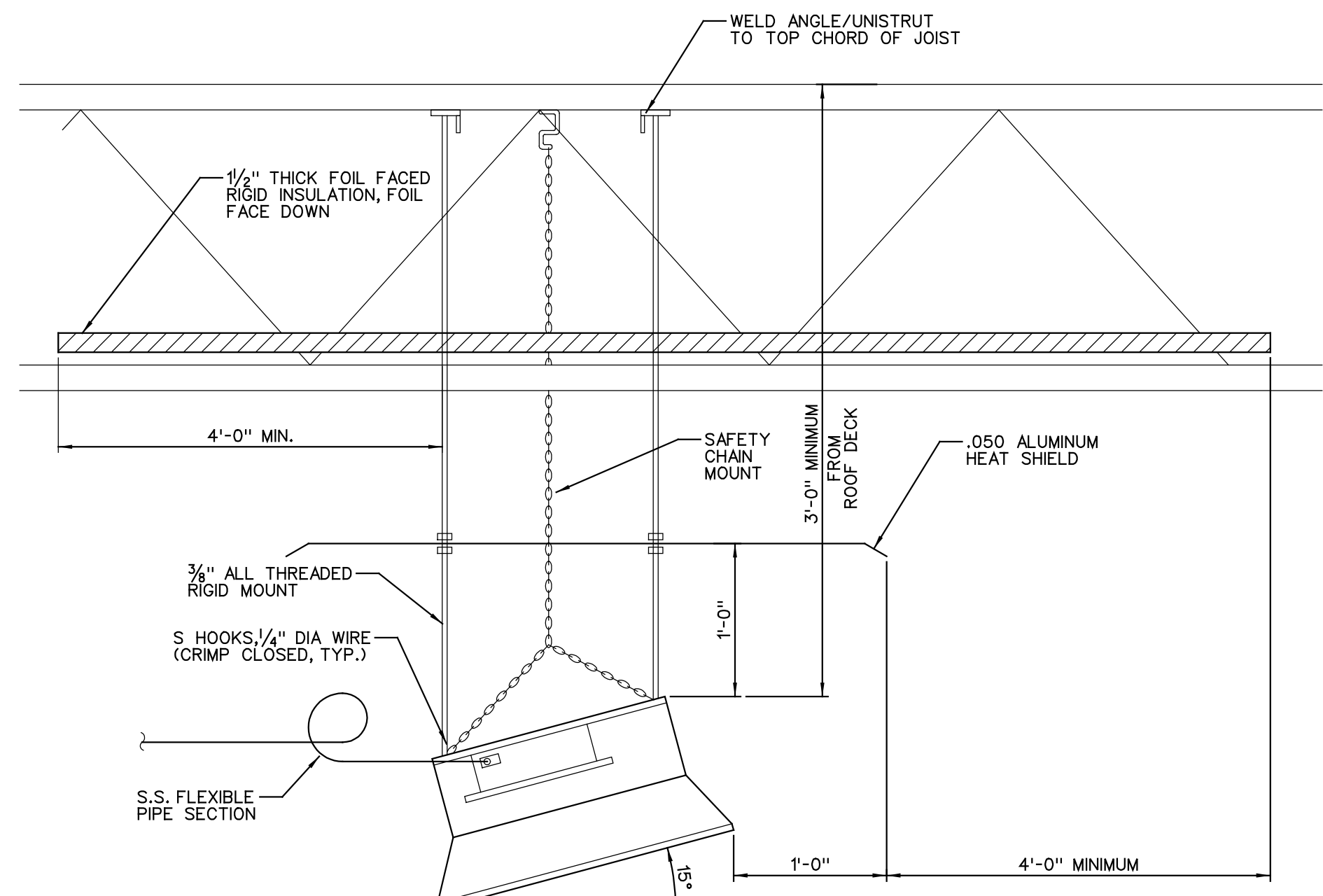


34 REFRIGERANT HEAT RECLAIM COIL DETAIL SCALE: NOT TO SCALE



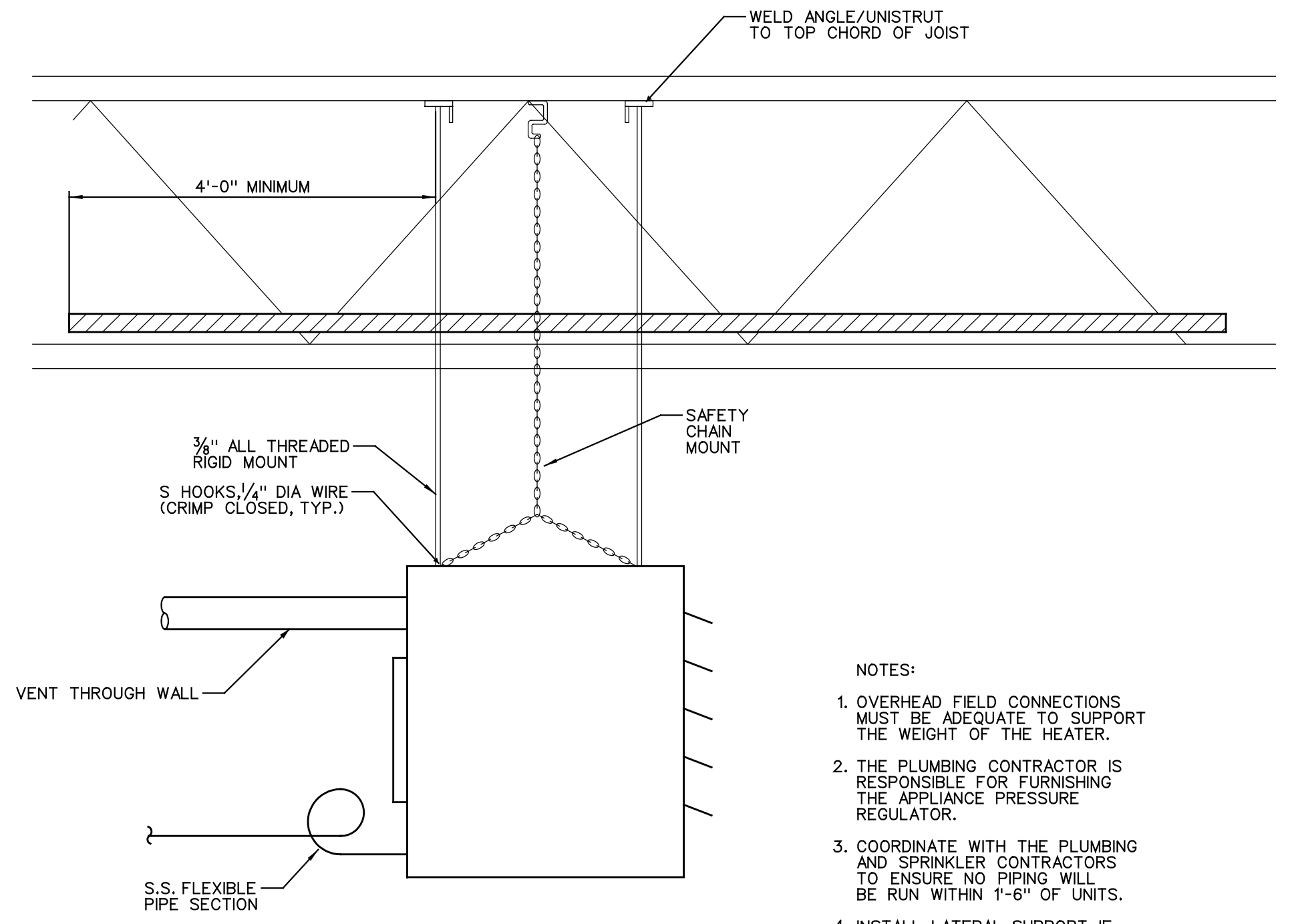
NOTES: 1. FIRE PROTECTION SYSTEM FURNISHED BY HOOD MANUFACTURER. 2. ALL SYSTEM COMPONENTS SHOWN EXCEPT OPTIONAL ESCAPE APRON SHALL BE SUPPLIED BY THE HOOD MANUFACTURER.

46 EXHAUST HOOD DETAIL SCALE: NOT TO SCALE



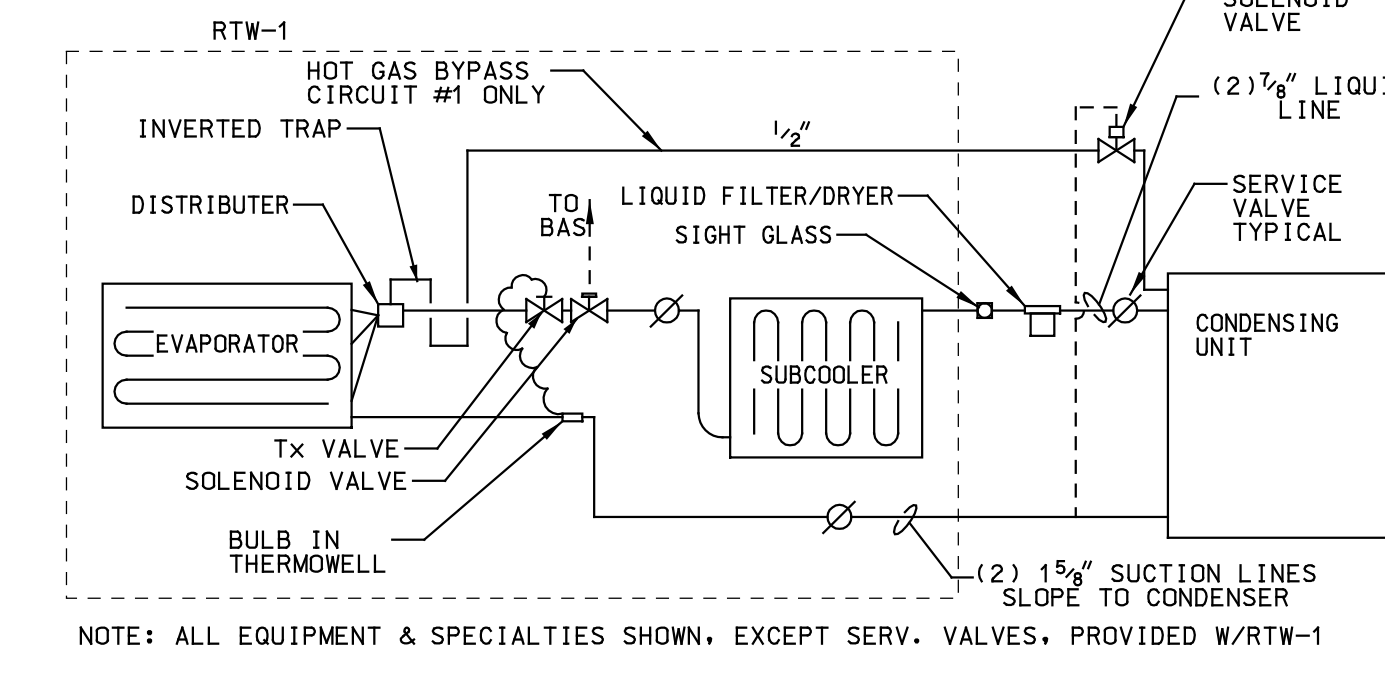
NOTES: 1. OVERHEAD FIELD CONNECTIONS MUST BE ADEQUATE TO SUPPORT THE WEIGHT OF THE HEATER. 2. THE PLUMBING CONTRACTOR IS RESPONSIBLE FOR FURNISHING THE APPLIANCE PRESSURE REGULATOR.

52 RADIANT HEATER MOUNTING DETAIL SCALE: NOT TO SCALE



NOTES: 1. OVERHEAD FIELD CONNECTIONS MUST BE ADEQUATE TO SUPPORT THE WEIGHT OF THE HEATER. 2. THE PLUMBING CONTRACTOR IS RESPONSIBLE FOR FURNISHING THE APPLIANCE PRESSURE REGULATOR.

54 UNIT HEATER (UH) MOUNTING DETAIL SCALE: NOT TO SCALE



NOTE: ALL EQUIPMENT & SPECIALTIES SHOWN, EXCEPT SERV. VALVES, PROVIDED W/RTW-1

56 CANCOIL WRINGER (RTW-9) REFRIGERANT PIPING SCHEMATIC SCALE: NOT TO SCALE

Vertical sidebar containing project title, sheet title, revision table, and company information.