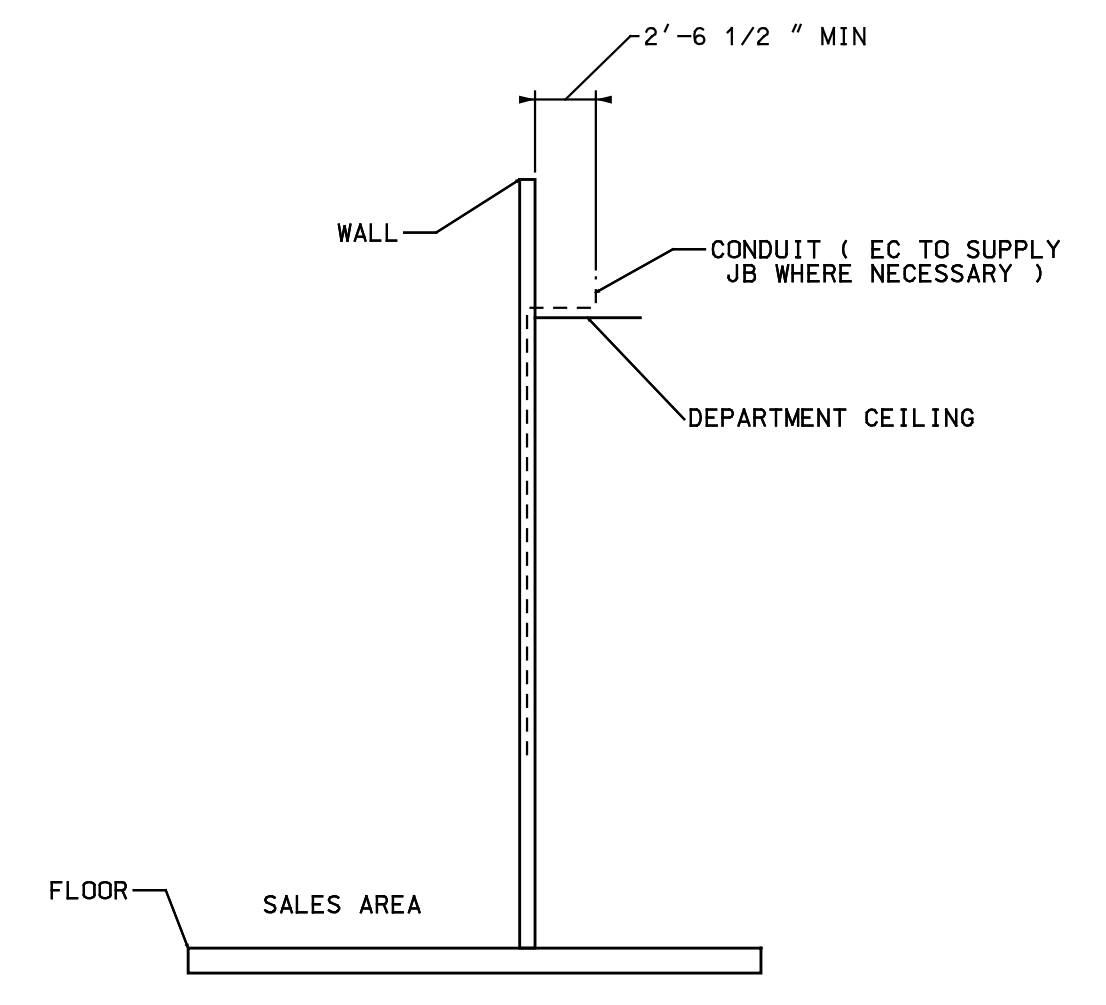
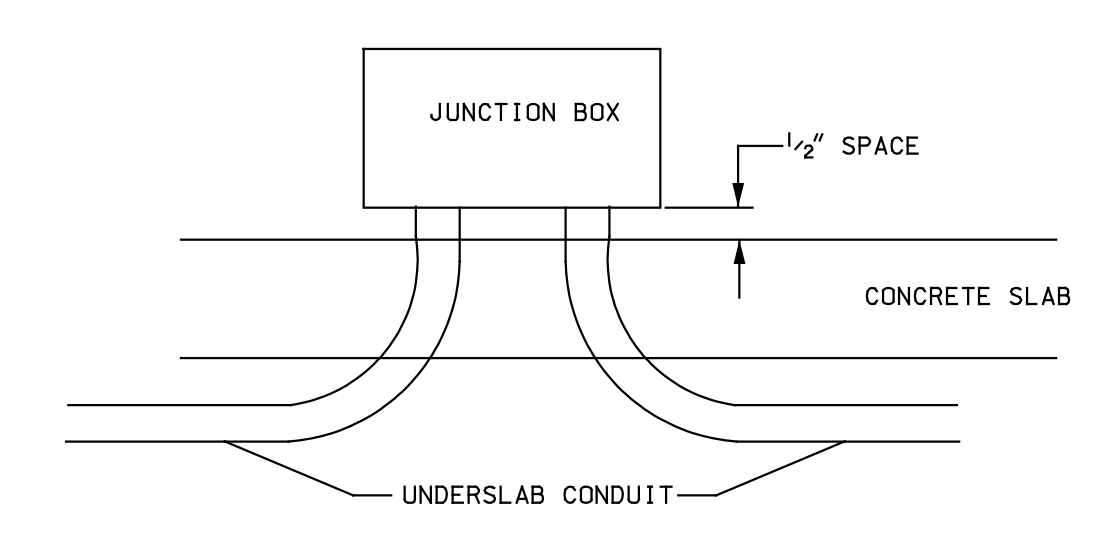
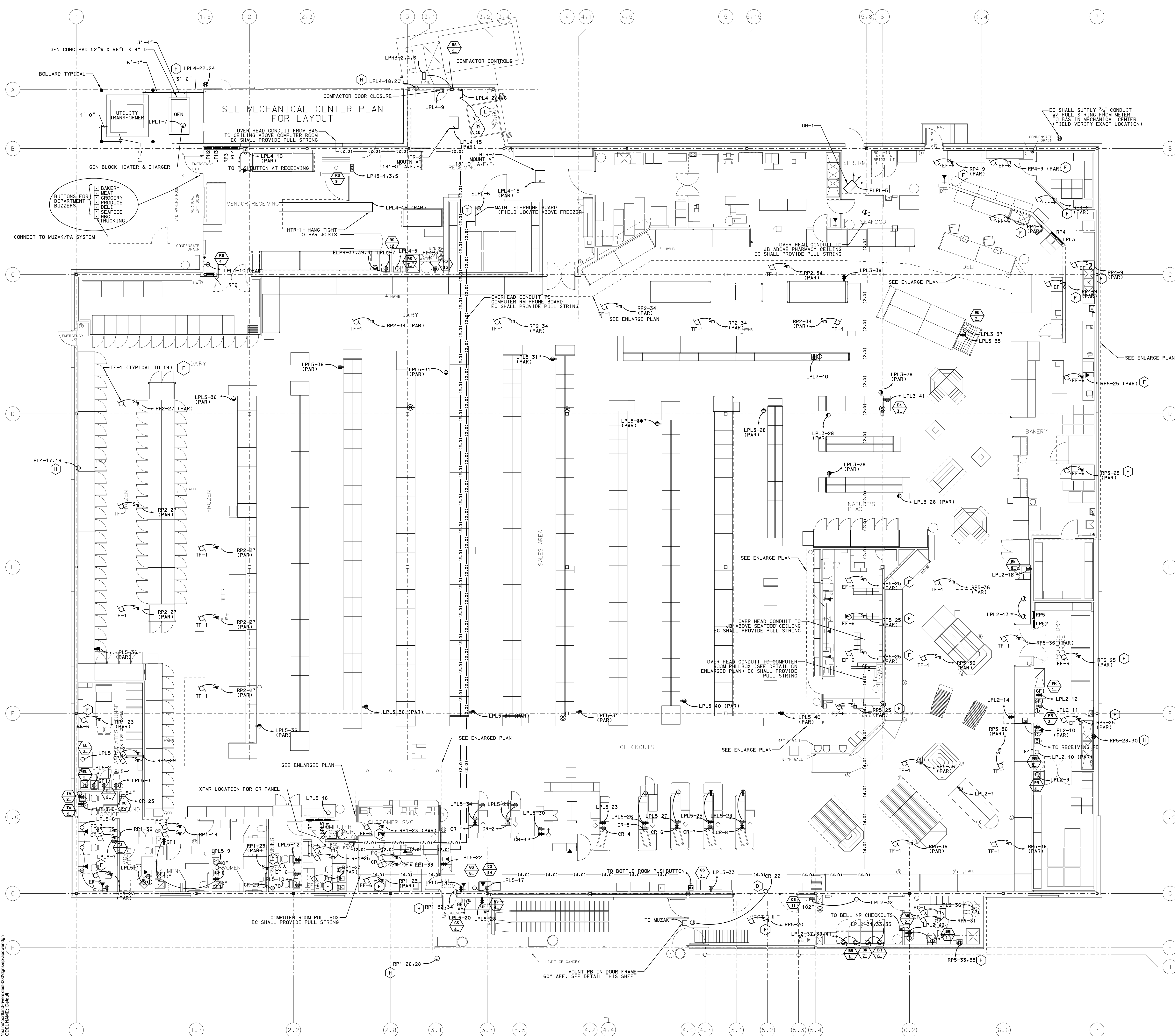


1 XFMR PLATFORM DETAIL

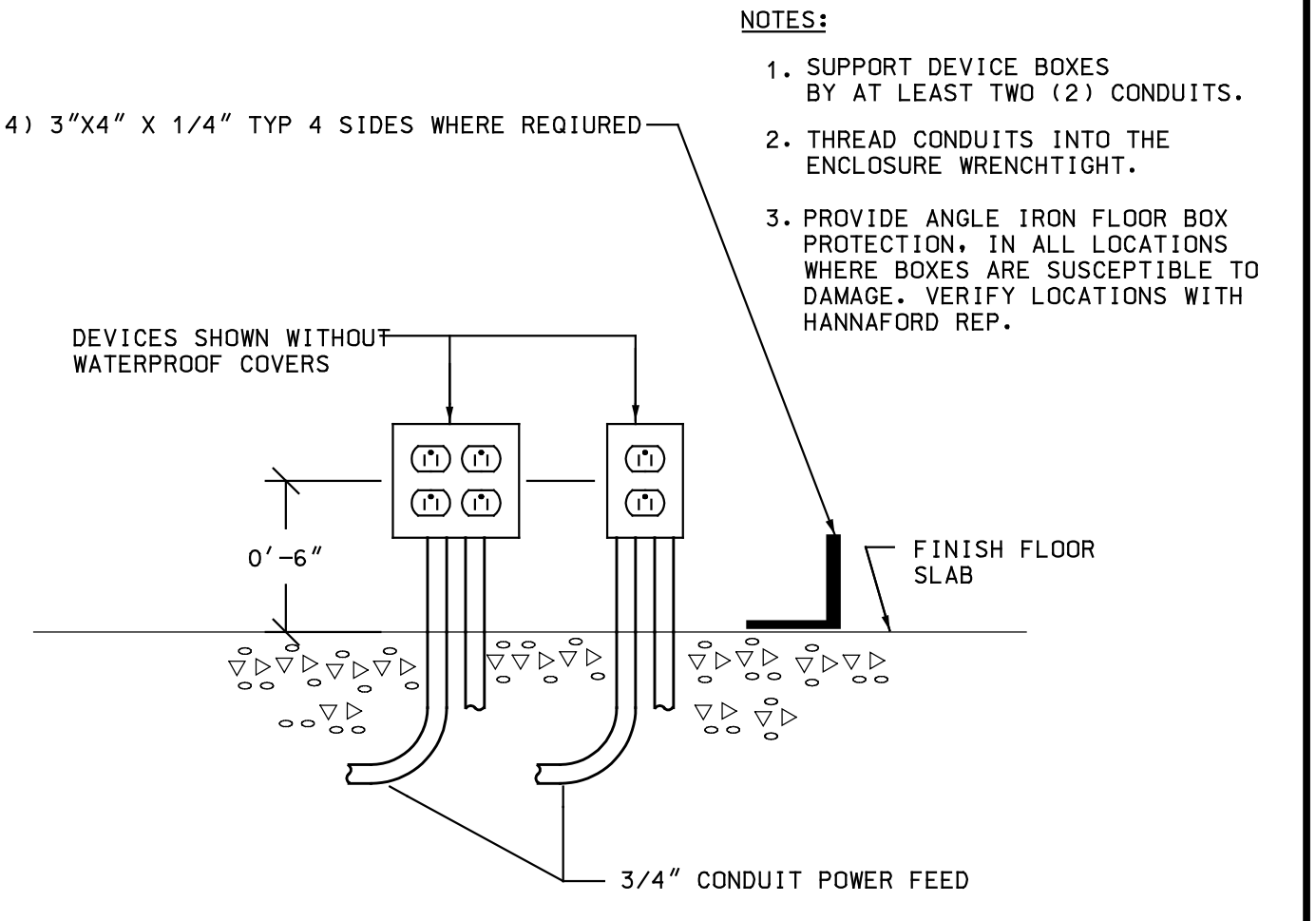


CONDUIT WALL OFFSET DETAIL NOT TO SCALE

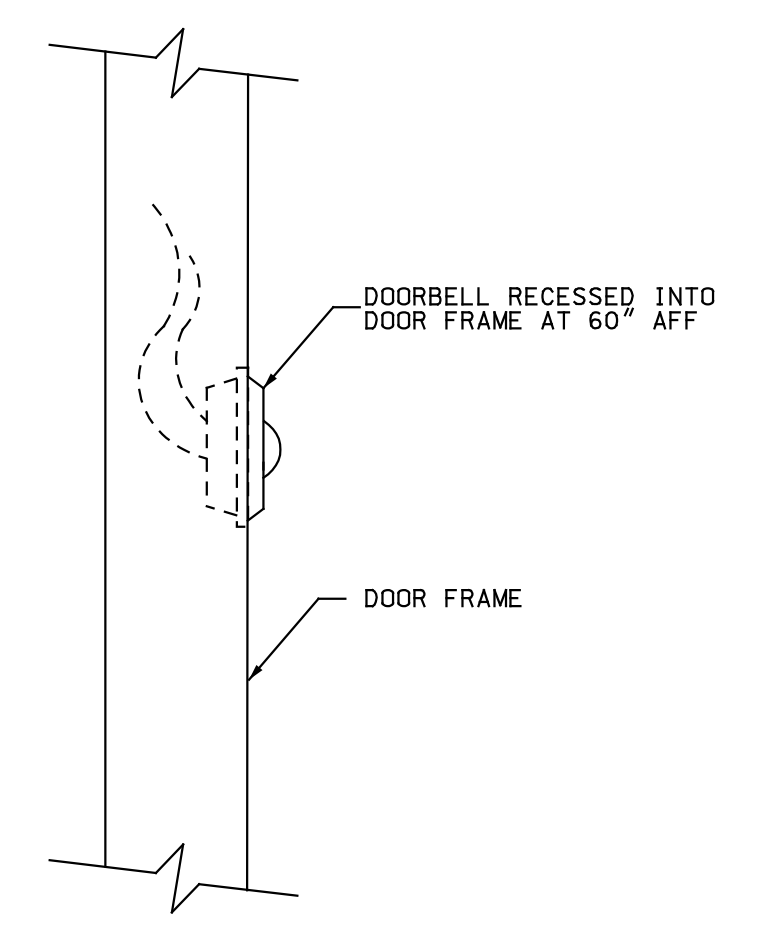
- NOTES:
D EC TO PROVIDE 1/2\"/>



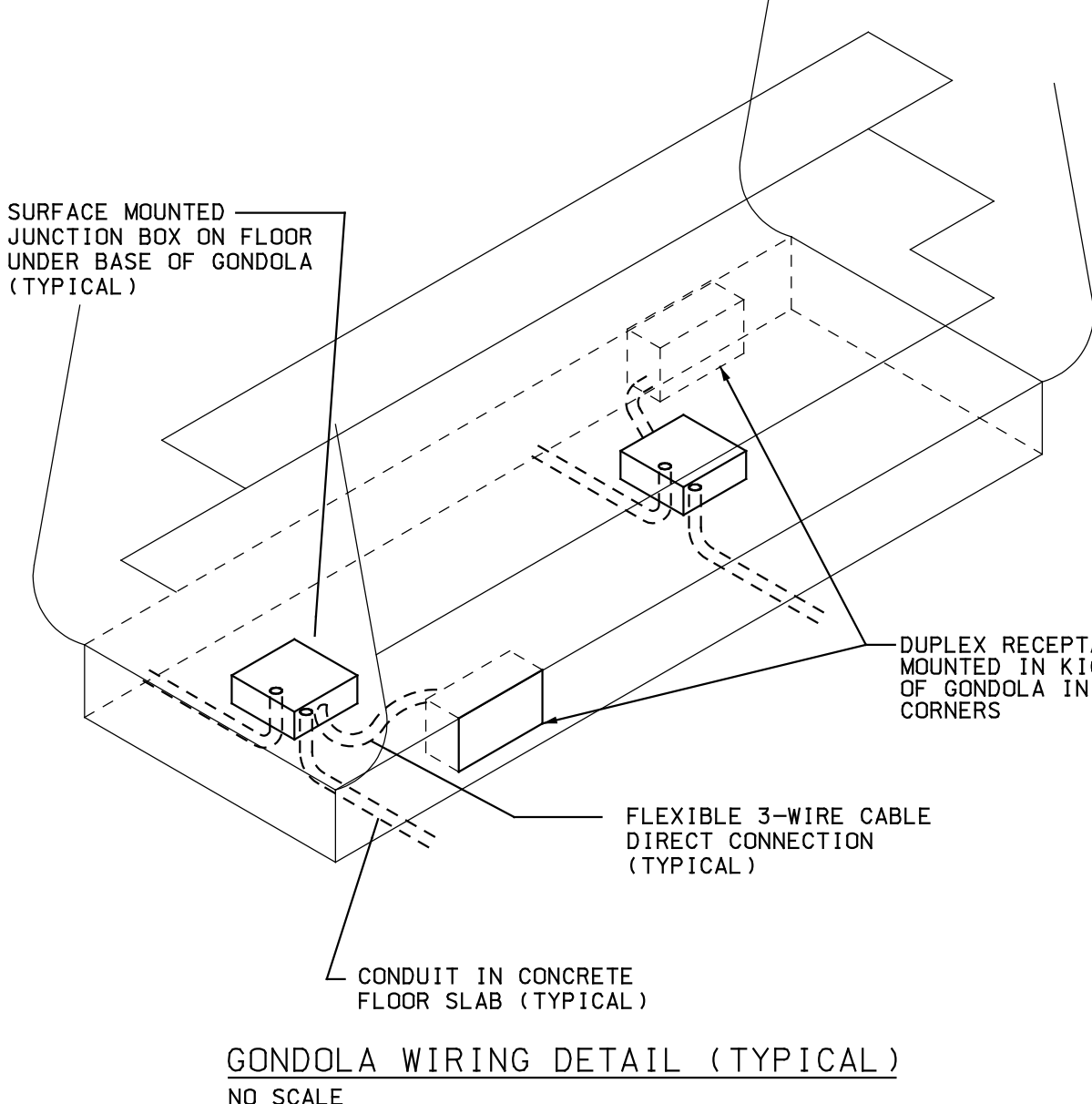
DETAIL OF JUNCTION BOX MOUNTING AT GONDOLA STUB-UPS NOT TO SCALE



STEM MOUNTED FLOOR RECEPTACLES DETAIL NOT TO SCALE



DOOR BELL DETAIL NOT TO SCALE



GONDOLA WIRING DETAIL (TYPICAL) NO SCALE

Revision table with columns for DATE, BY, and DESCRIPTION.

PROJECT TITLE: Hannaford Riverside Street Portland, Maine

SHEET TITLE: POWER PLAN

DESIGN: R. BUREAU, R. CTR.
DRAWN: [blank], R. CTR.
CHECKED: [blank], R. CTR.
DATE: AUGUST 2004

SHEET: E3