

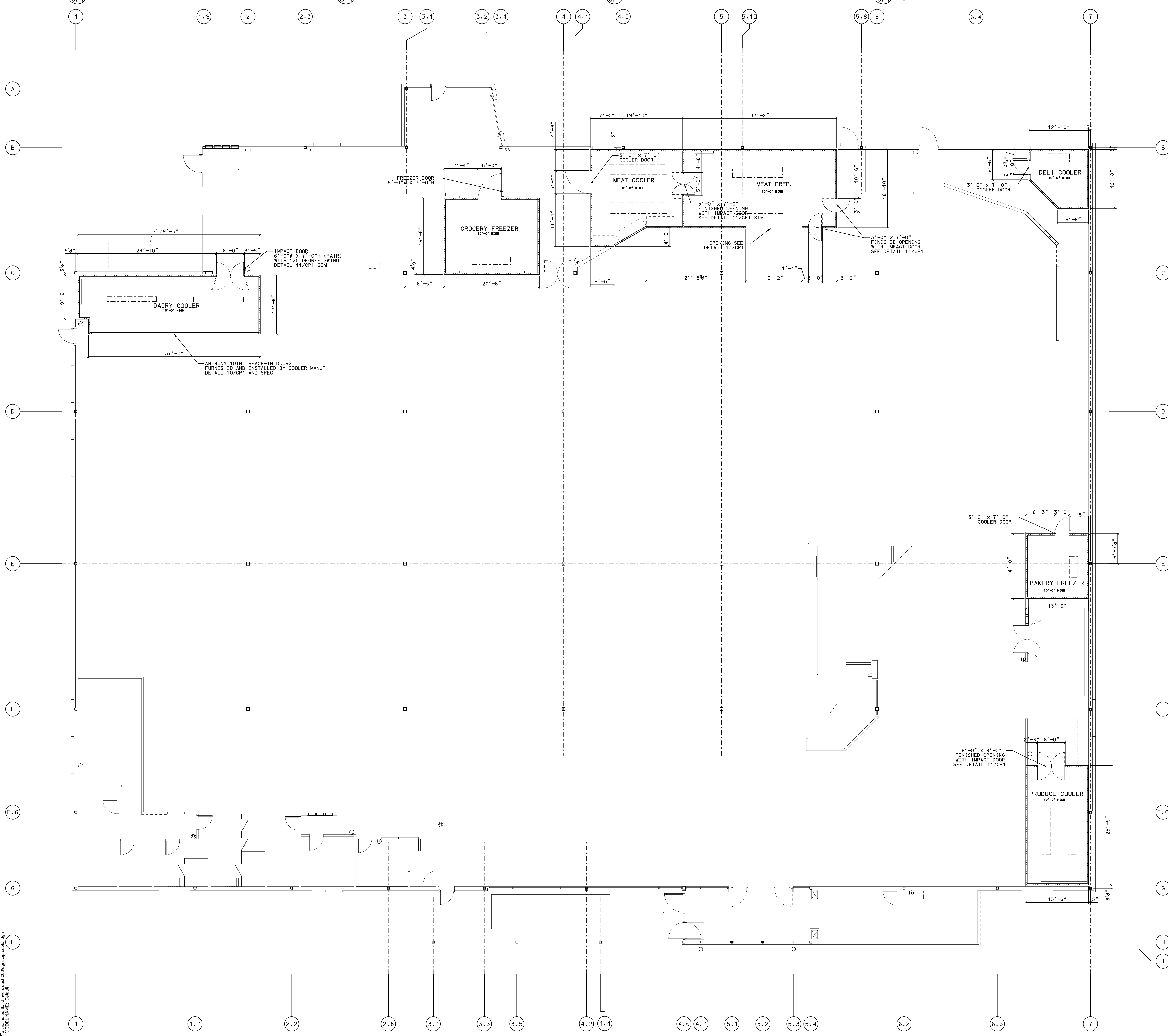
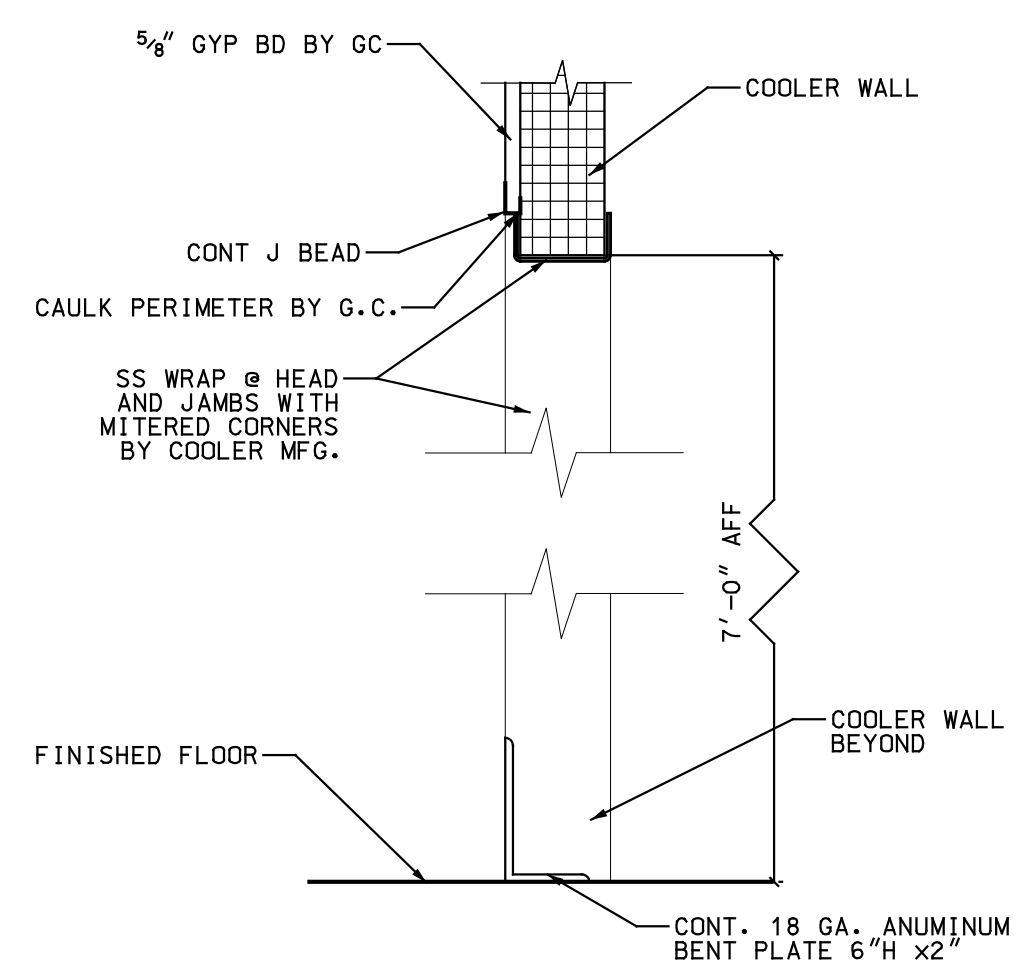
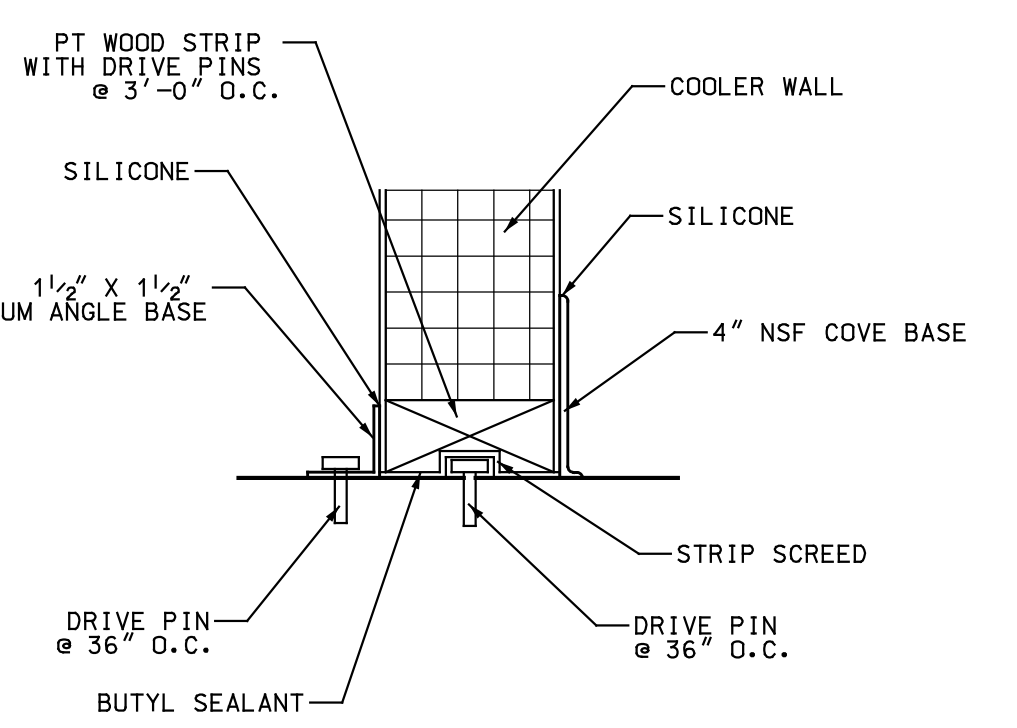
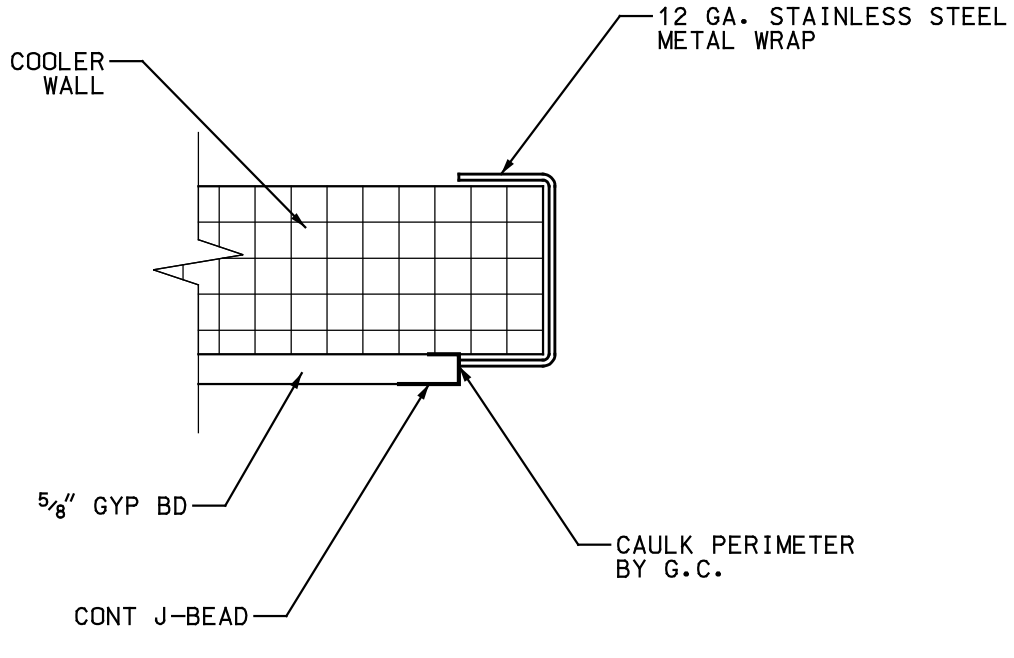
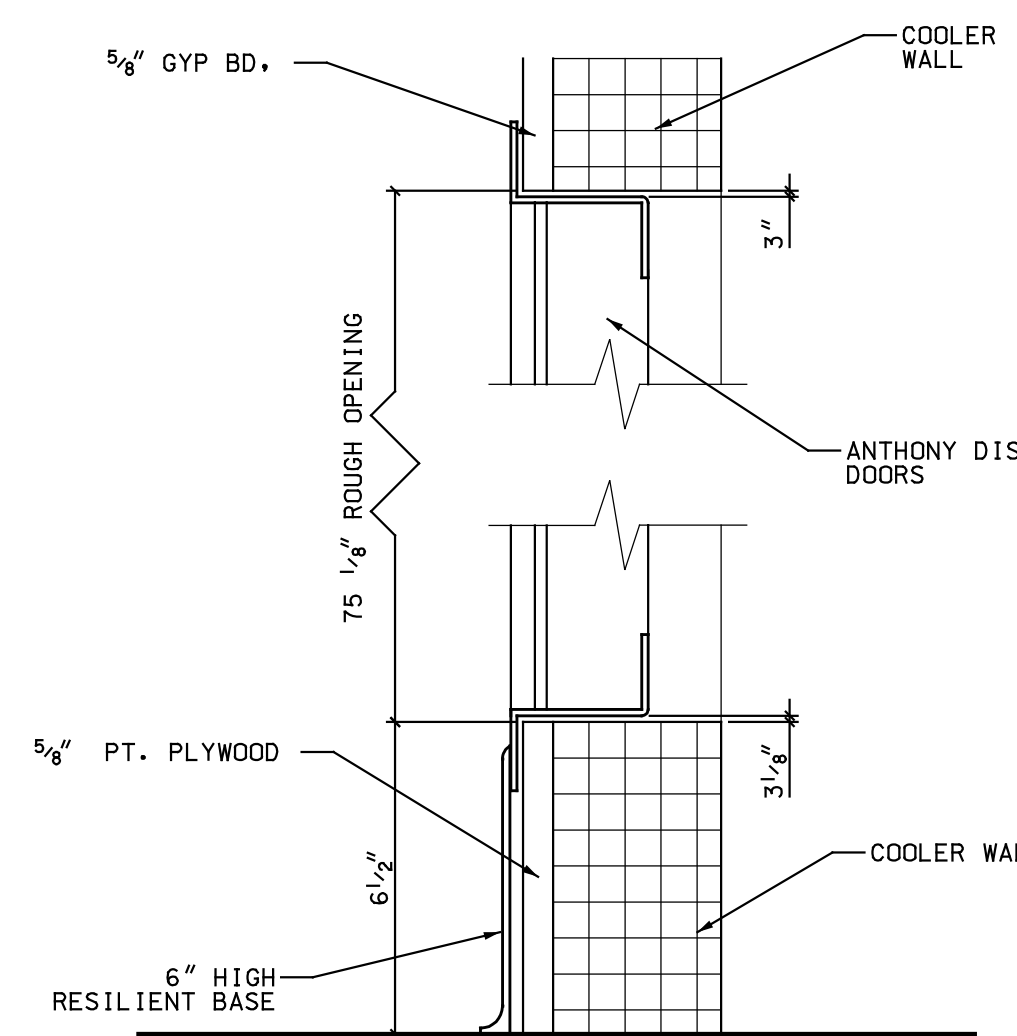
Table with columns: DATE, TYPE, REVISIONS, and a grid for tracking changes.

Table with columns: DATE, TYPE, REVISIONS, and a grid for tracking changes.

Hannaford Riverside Street Portland, Maine

COOLER PLAN & DETAILS

Table with columns: DESIGN, DRAWN, CHECKED, PROJECT, DATE, and a grid for project information.



SPECIFICATIONS FOR WALK-IN COOLERS/FREEZERS

GENERAL
Walk-in coolers and freezers shall be constructed of prefabricated sections joined together to form coops of exact dimensions as specified. Exterior panels shall be fabricated to meet all requirements of the National Sanitation Foundation and shall bear the N.S.F. seal on the exterior door panel. Also shall meet all local and national building codes.
FINISHES
Interior 26 Ga. White embossed galvanized steel
Exterior 26 Ga. material embossed galvanized steel except prep areas and areas visible to customer which will be white.
INSULATION
Insulation shall be rigid urethane with a conductivity factor (K factor) not to exceed 0.12 Btu/hr. (overall coefficient of heat transfer (U factor) not to exceed 0.032. The R value is to be 30 for 3 1/2\"/>