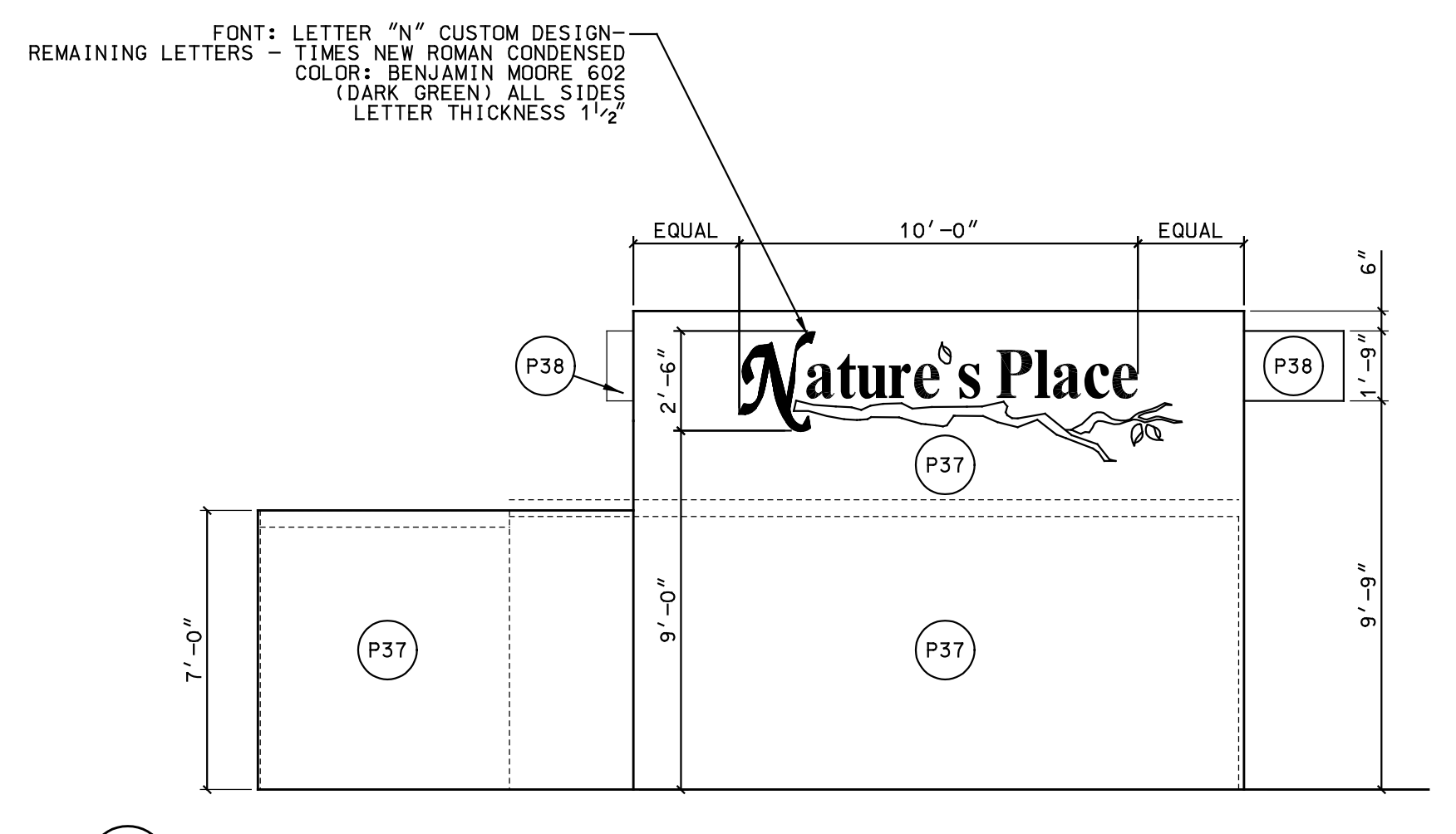
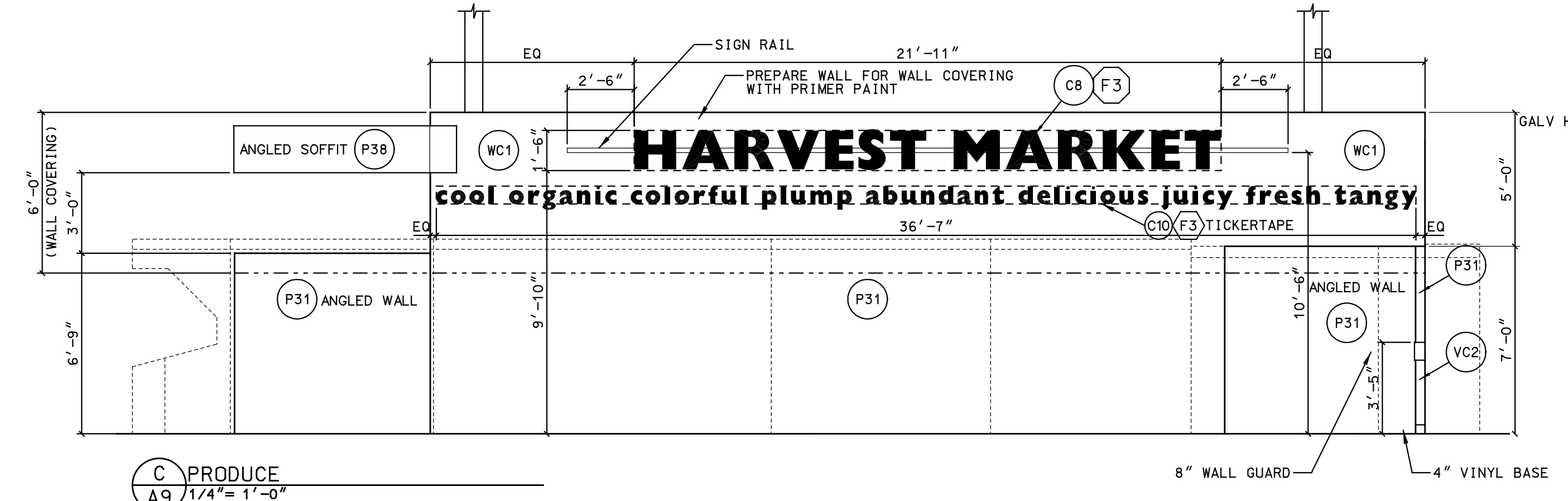


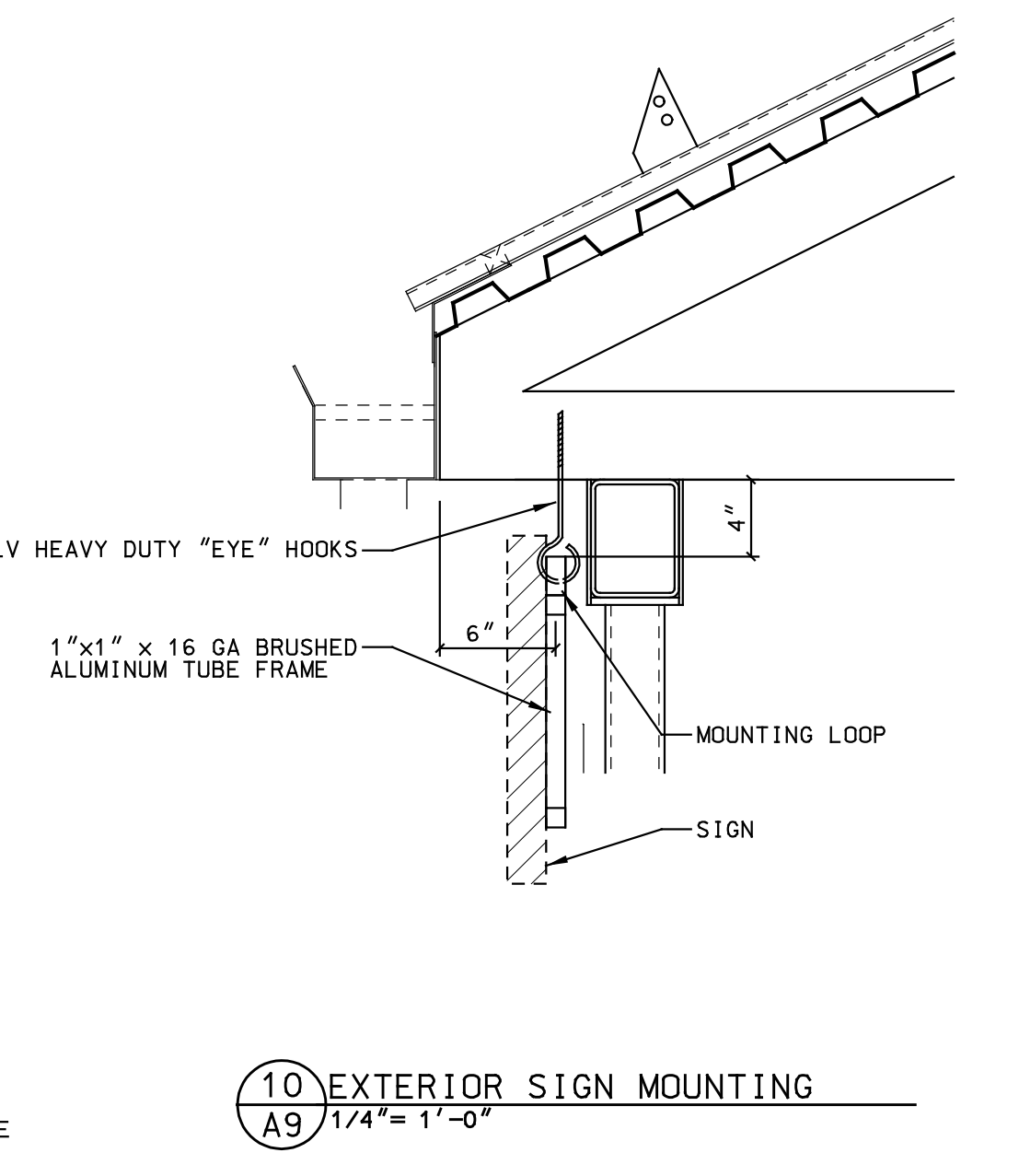
A PRODUCE  
A9 1/4" = 1'-0"



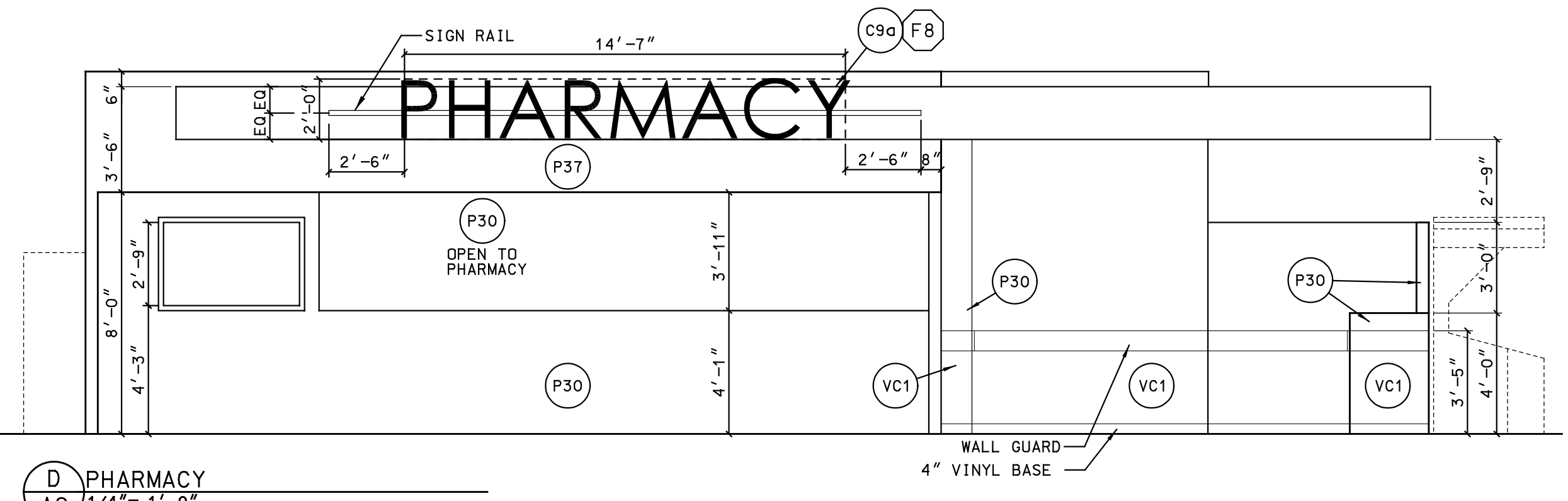
B NATURE'S PLACE  
A9 1/4" = 1'-0"



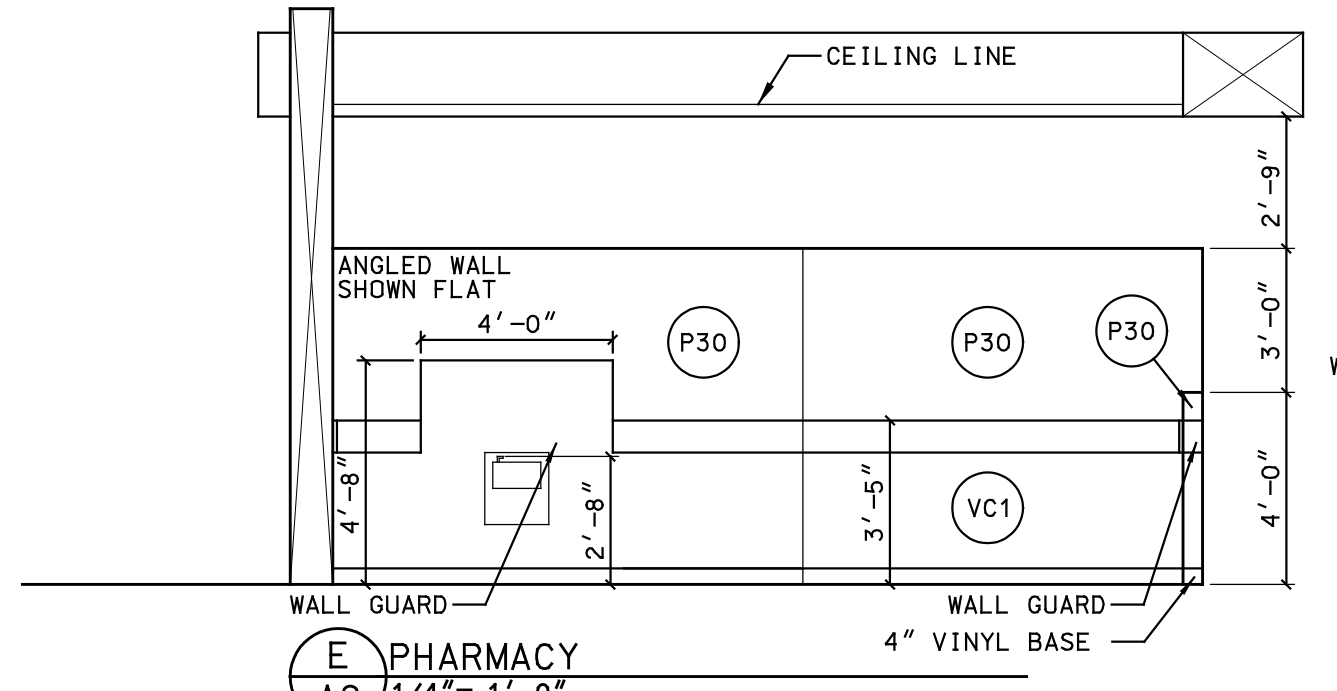
C PRODUCE  
A9 1/4" = 1'-0"



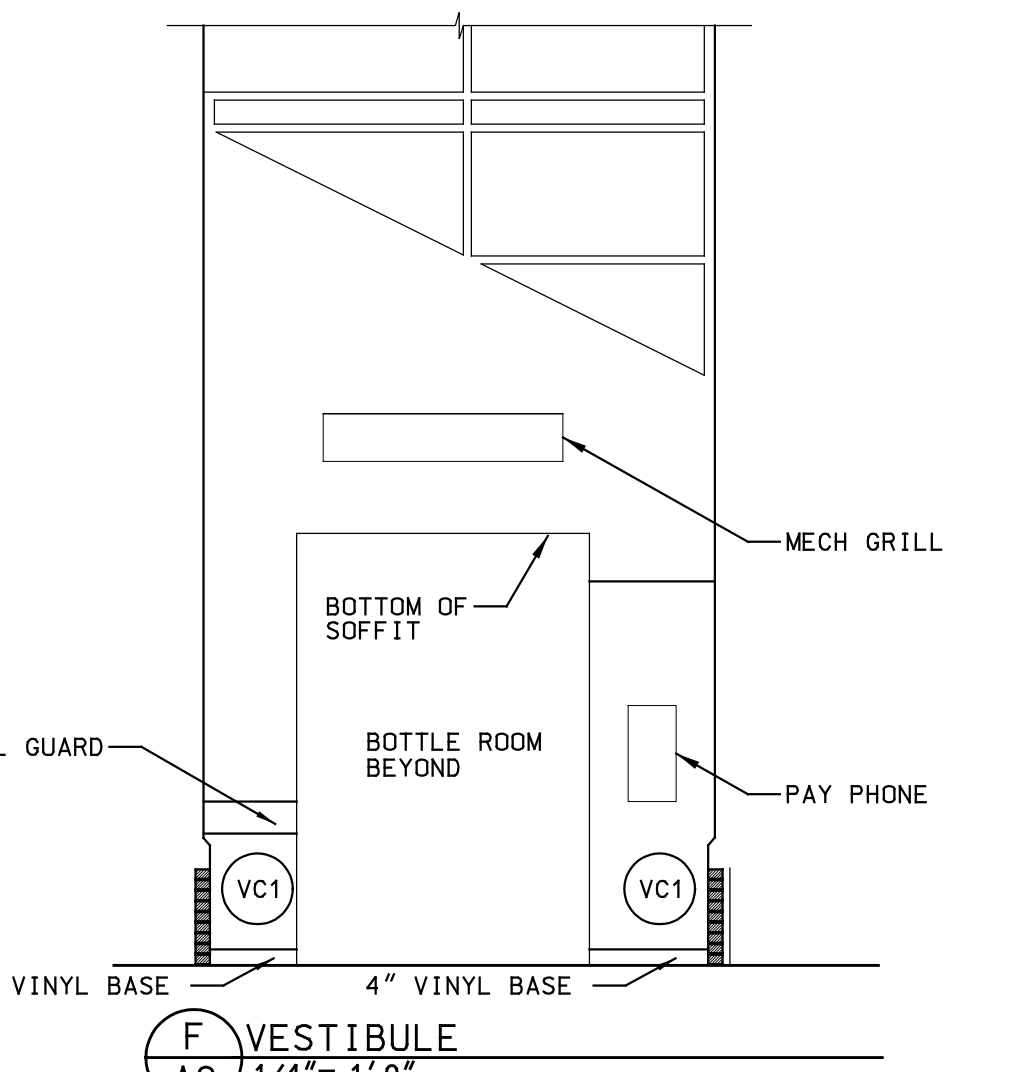
D EXTERIOR SIGN MOUNTING  
A9 1/4" = 1'-0"



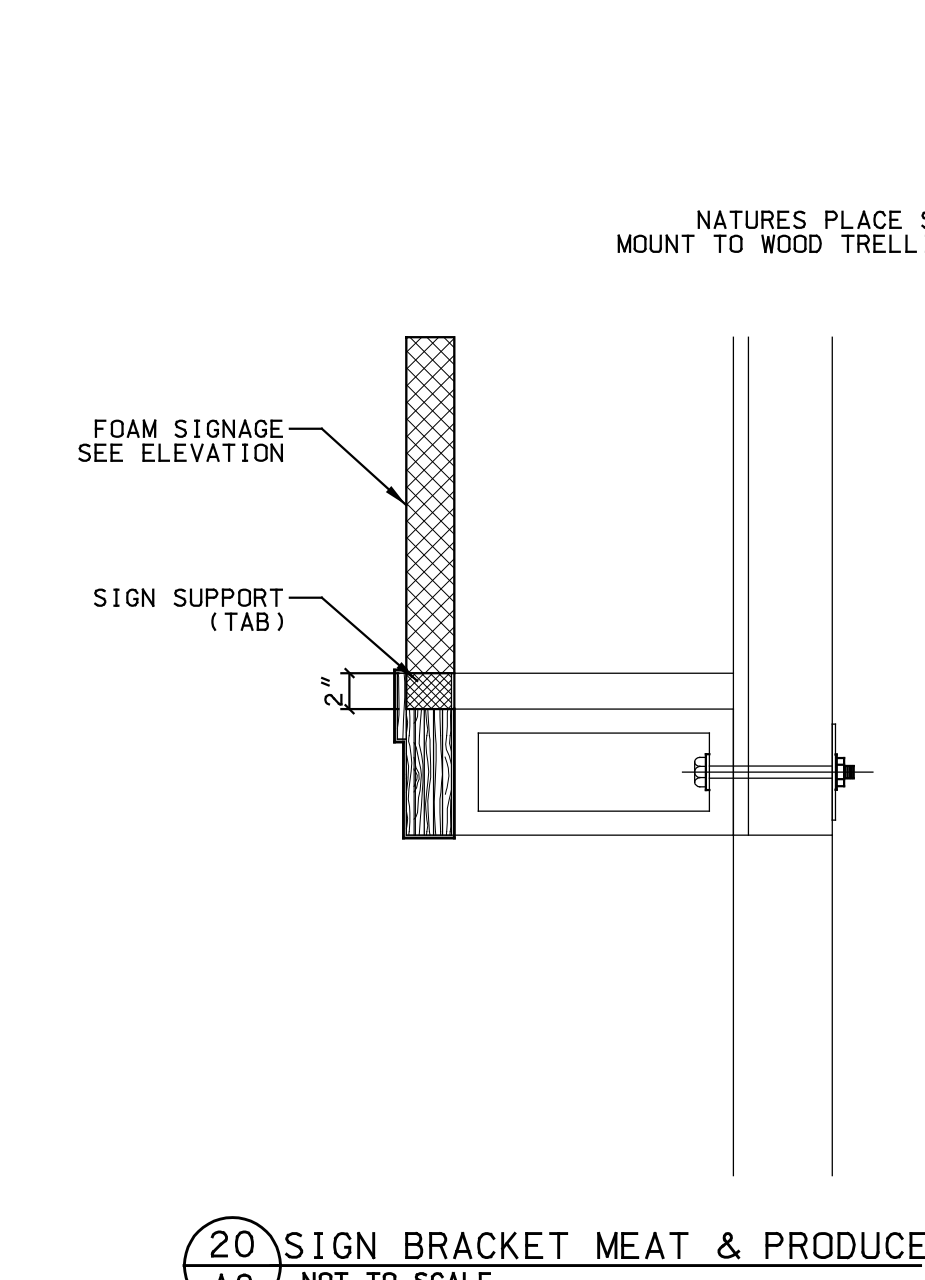
E PHARMACY  
A9 1/4" = 1'-0"



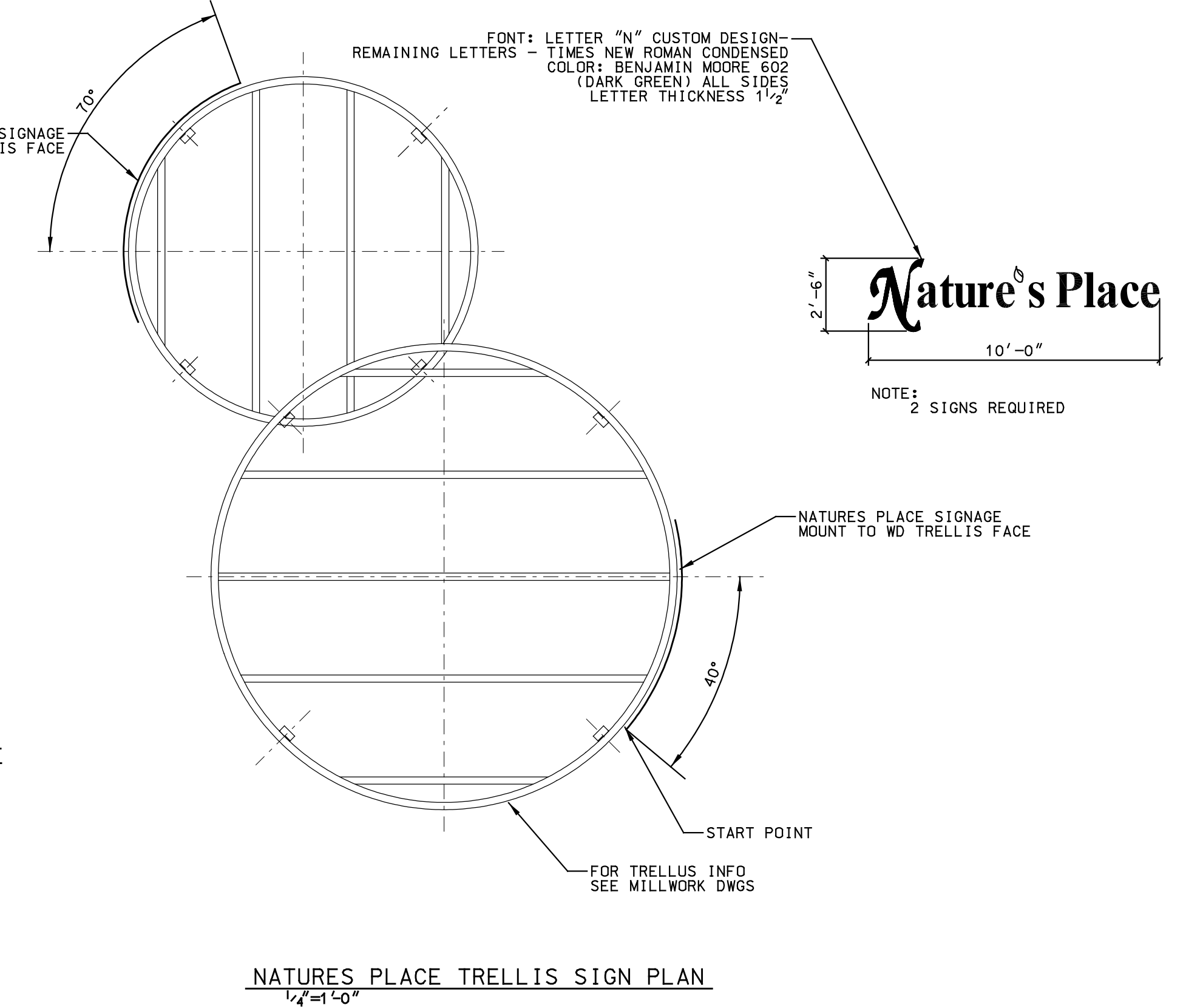
F PHARMACY  
A9 1/4" = 1'-0"



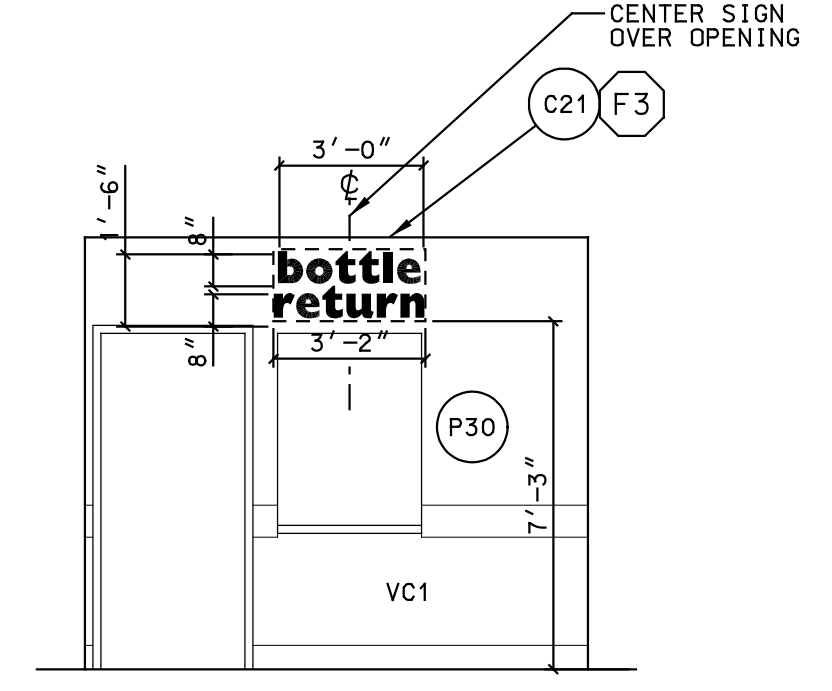
G VESTIBULE  
A9 1/4" = 1'-0"



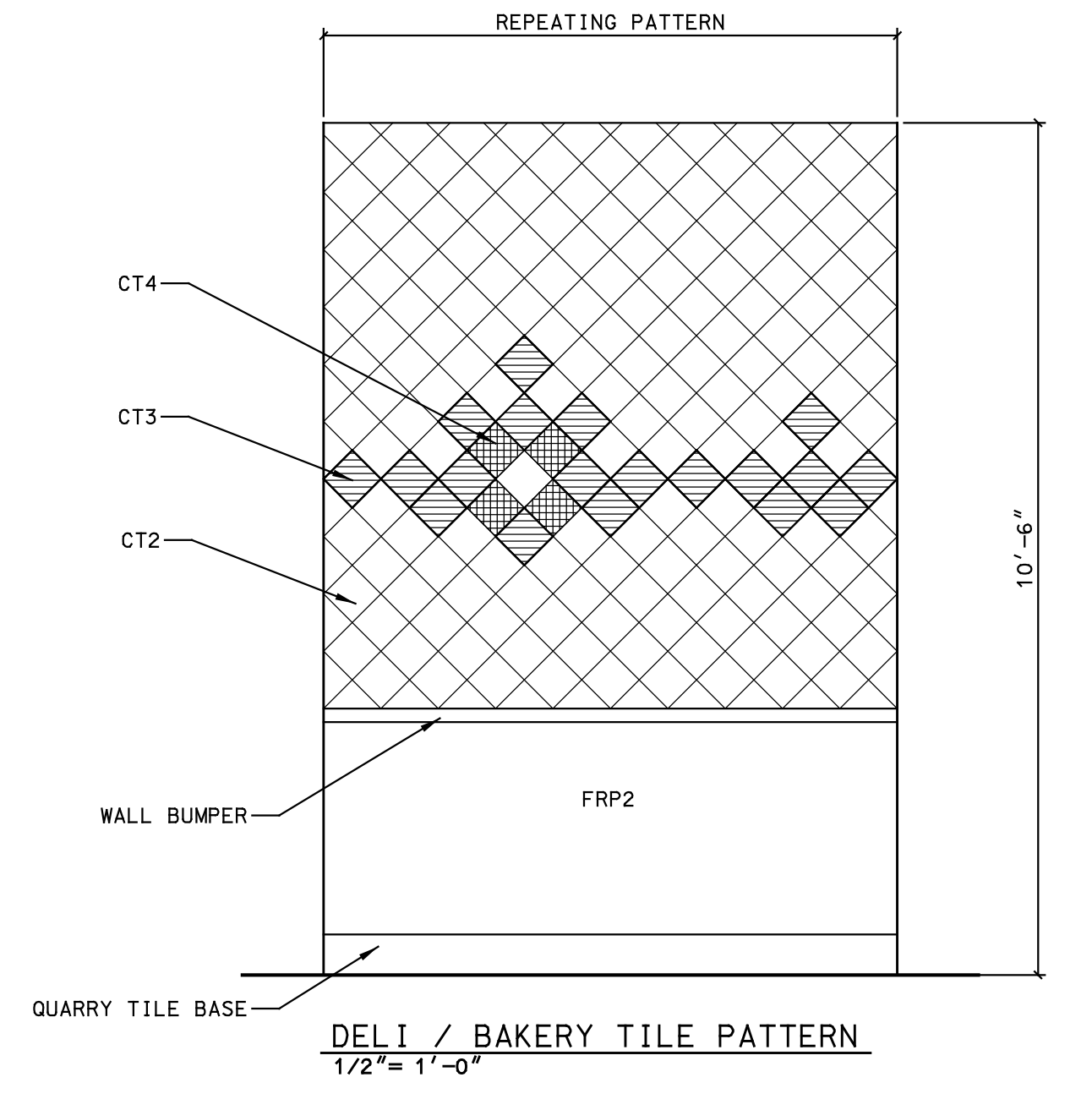
H SIGN BRACKET MEAT & PRODUCE  
A9 NOT TO SCALE



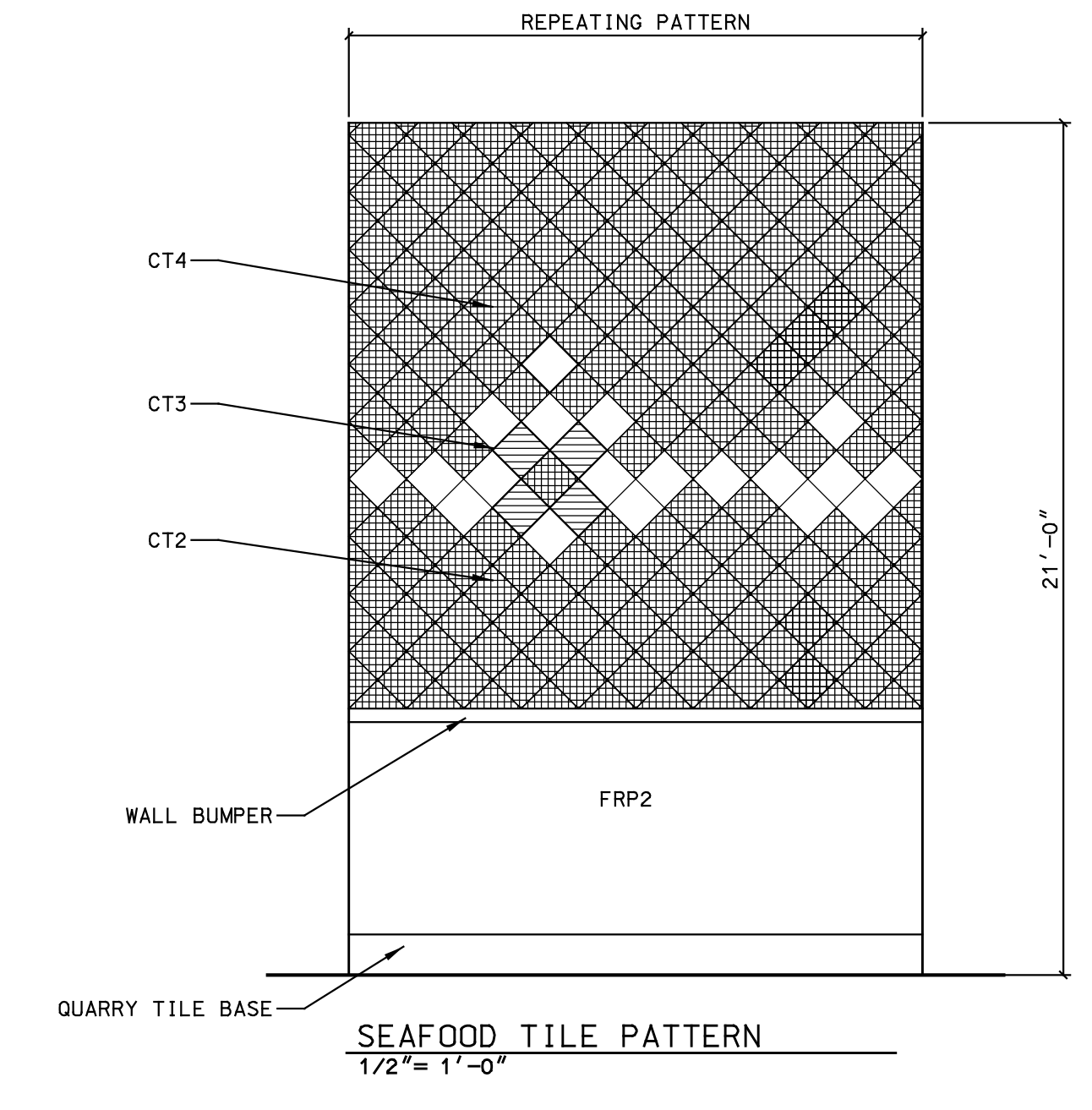
I NATURE'S PLACE TRELLIS SIGN PLAN  
1/2" = 1'-0"



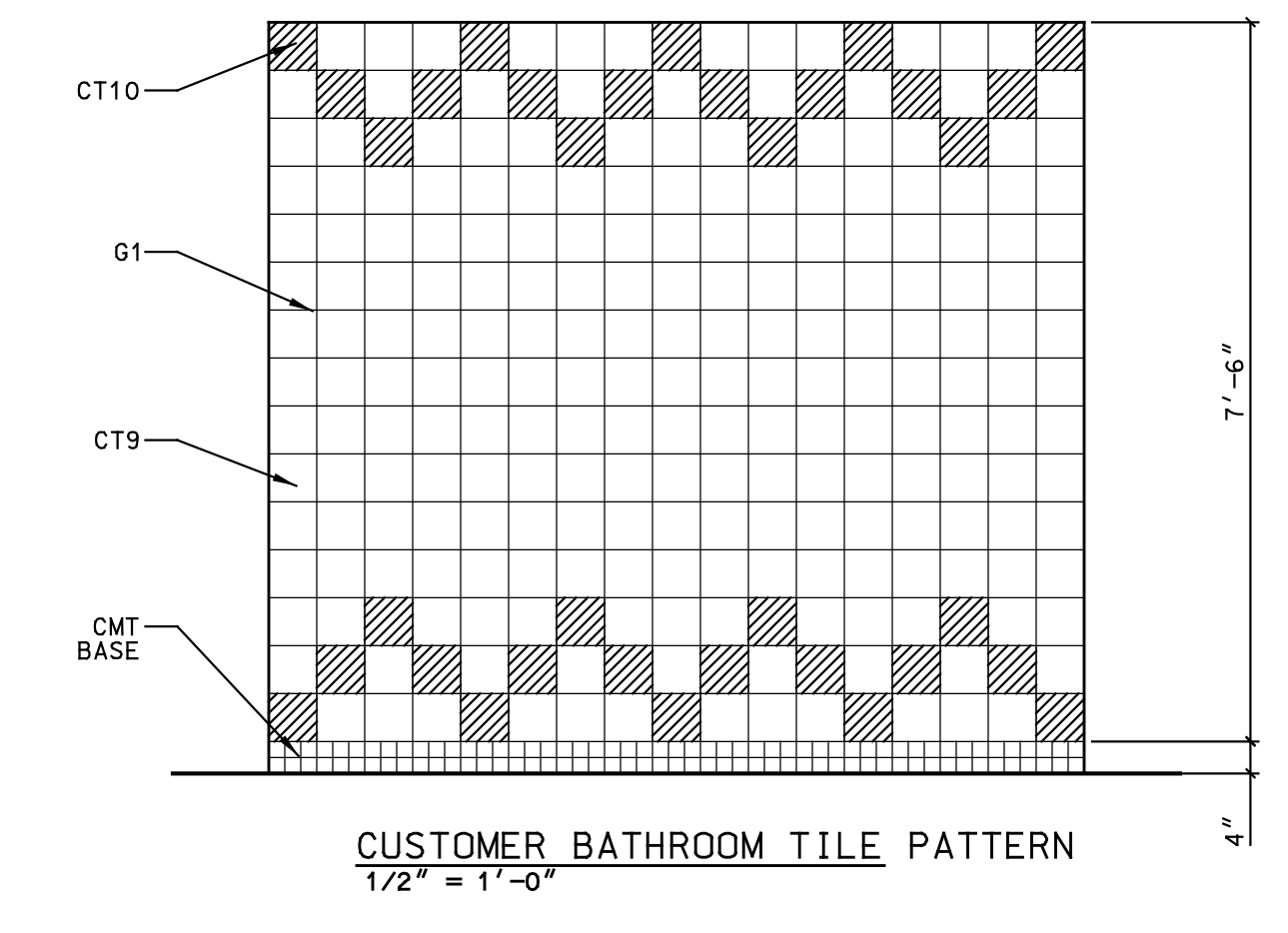
J BOTTLE AREA  
A9 1/4" = 1'-0"



K DELI / BAKERY TILE PATTERN  
1/2" = 1'-0"



L SEAFOOD TILE PATTERN  
1/2" = 1'-0"



M CUSTOMER BATHROOM TILE PATTERN  
1/2" = 1'-0"

SIGNAGE COLOR

- C1 PMS RED 032u (Customer Service)
- C2 PMS 166u (The Bake Shop)
- C3 PMS 012u, Yellow (Fresh DAIRY)
- C4 246U (DELI) - WHITE RETURNS
- C5 PMS Reflex Blue w/ Blue Returns (Frozen Foods)
- C6 PMS 114U (FRESH CATCH)
- C7 PMS 388U (Harvest Market) - WHITE RETURNS
- C8 WHITE (Pharmacy, Rx) - BLACK RETURNS
- C9 PMS 621U (TICKETAPE/PRODUCE)
- C10 PMS 179U (FRESH CUT FRUITS) - WHITE RETURNS
- C11 BLACK w/ BLACK RETURNS (CUSTOM CUT MEATS)

SIGNAGE FONT

- F1 SLIMBACH BOLD (Customer Service)
- F2 KORRINA BOLD (The Bake Shop)
- F3 SIL SANS EXTRA BOLD (The Butcher Shop, FRESH CATCH, HARVEST MARKET, FRESH CUT FRUITS, CUSTOM CUT MEATS, bottle return) (Produce & Frozen Food - TickerTape)
- F4 KABEL BOLD (Dairy, Frozen Foods)
- F5 FUTURA EXTRA BOLD (DELI)
- F6 CAPLISH SCRIPT (Neighborhood)
- F7 CENTURY GOTHIC REGULAR (Fresh, Pharmacy, Rx)
- F8 G11 Sans Bold (Thank you for shopping at... WELCOME, Dairy TickerTape)

SIGN PACKAGE

THE FOLLOWING ITEMS ARE NOT IN THE GENERAL CONTRACTOR PACKAGE:

- SIGN RAILS
- SIGN LETTERS
- SIGN BRACKETS
- WALL COVERING

NOTE:

- ALL LETTERS ARE 1/2" THICK FOAM EXCEPT THOSE LABELED TICKETAPE, TICKETAPE LETTERS ARE VINYL DIE CUT LETTERS, BOTTLE RETURN LETTER WHICH ARE 1/2" THICK EXTERIOR WELCOME SIGN 1/2" THICK PLEXIGLASS

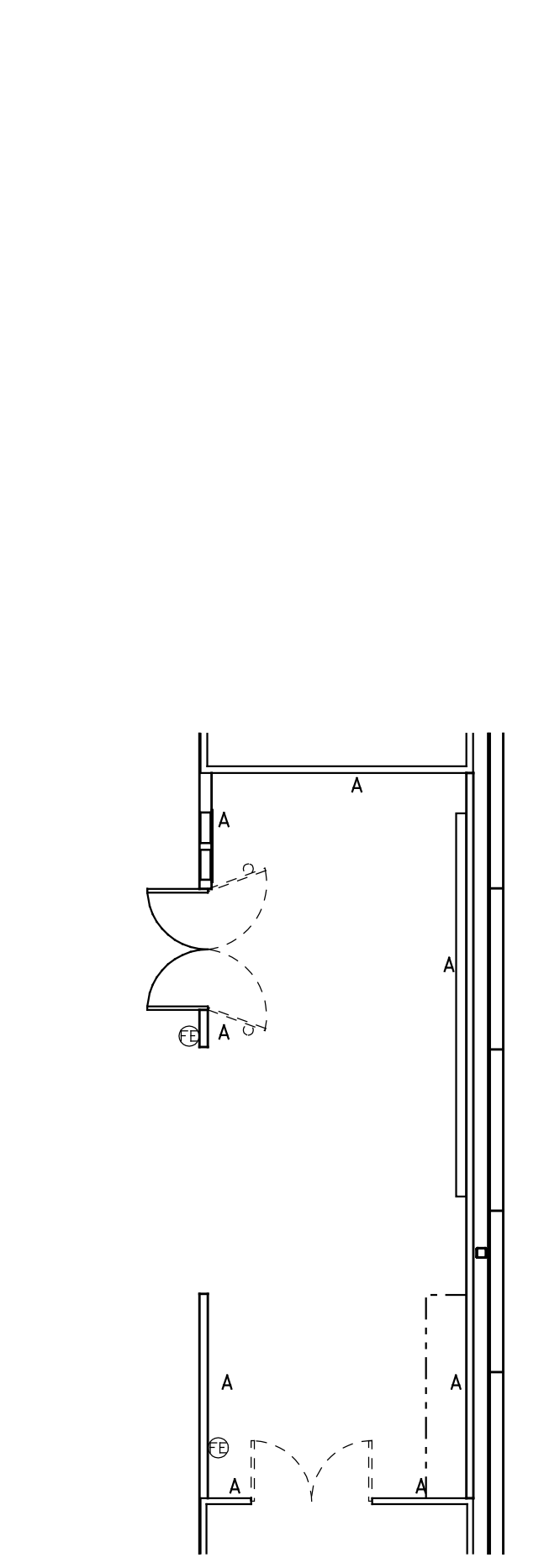
- FOR FOAM SIGNS ON SIGN RAILS PROVIDE 3/4" FOAM BLOCKS

- ALL SIDES OF SIGNAGE COLORED WITH SAME COLOR AS FACE UNLESS NOTED:

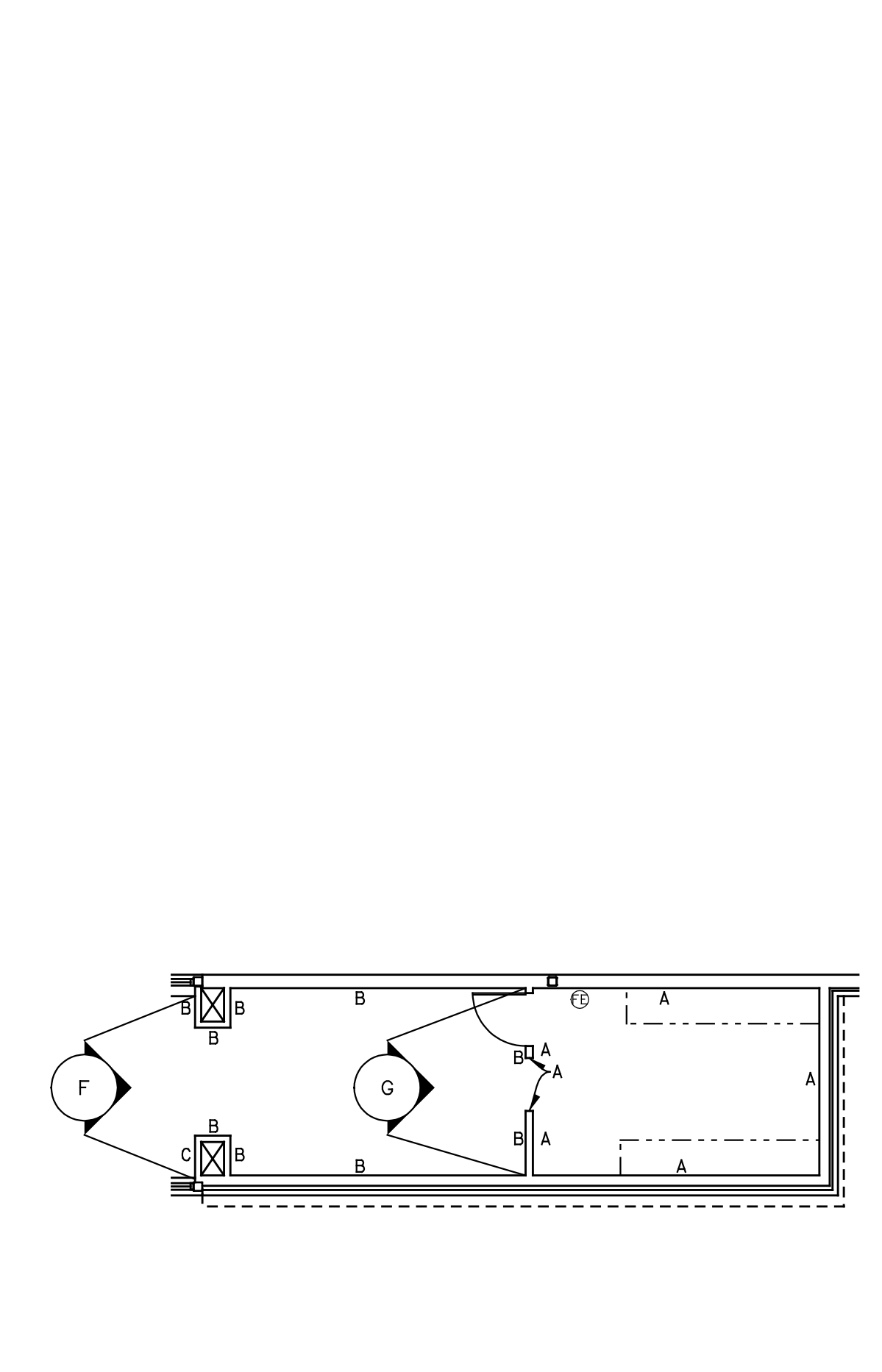
- WHITE RETURNS
- BLACK RETURNS
- OTHER (AS NOTED)

- SEE MATERIAL FINISH SCHEDULE FOR OTHER FINISHES

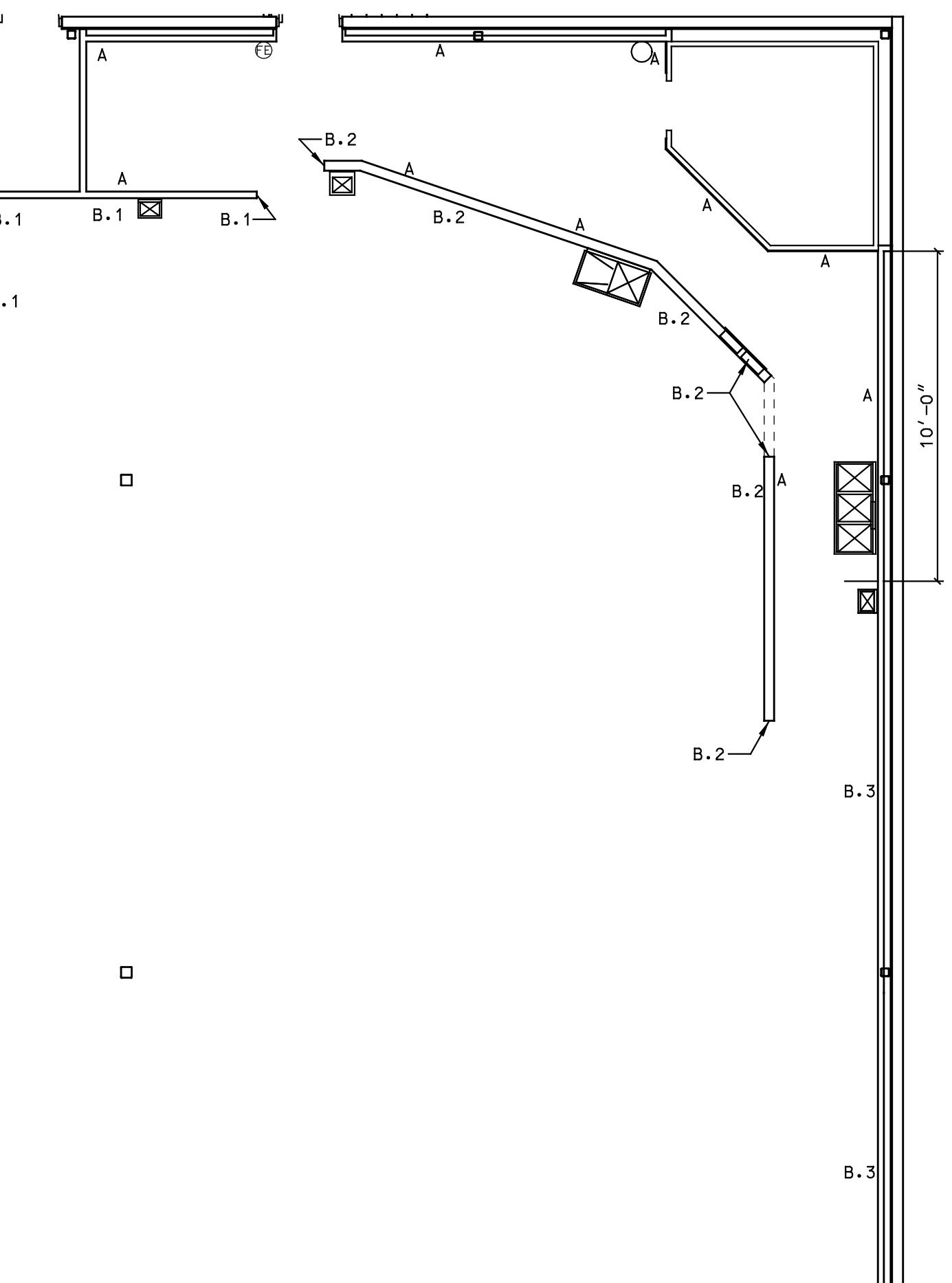
- SIGN RAILS - 3/4" x 2" RAIL LAMINATED ON ALL SIDES (NOT AGAINST A WALL) WITH ALUMINUM LAMINATE BY PIONITE #2A002-G GLOSS (PL12)



N ENLARGED PRODUCE PLAN  
1/4" = 1'-0"



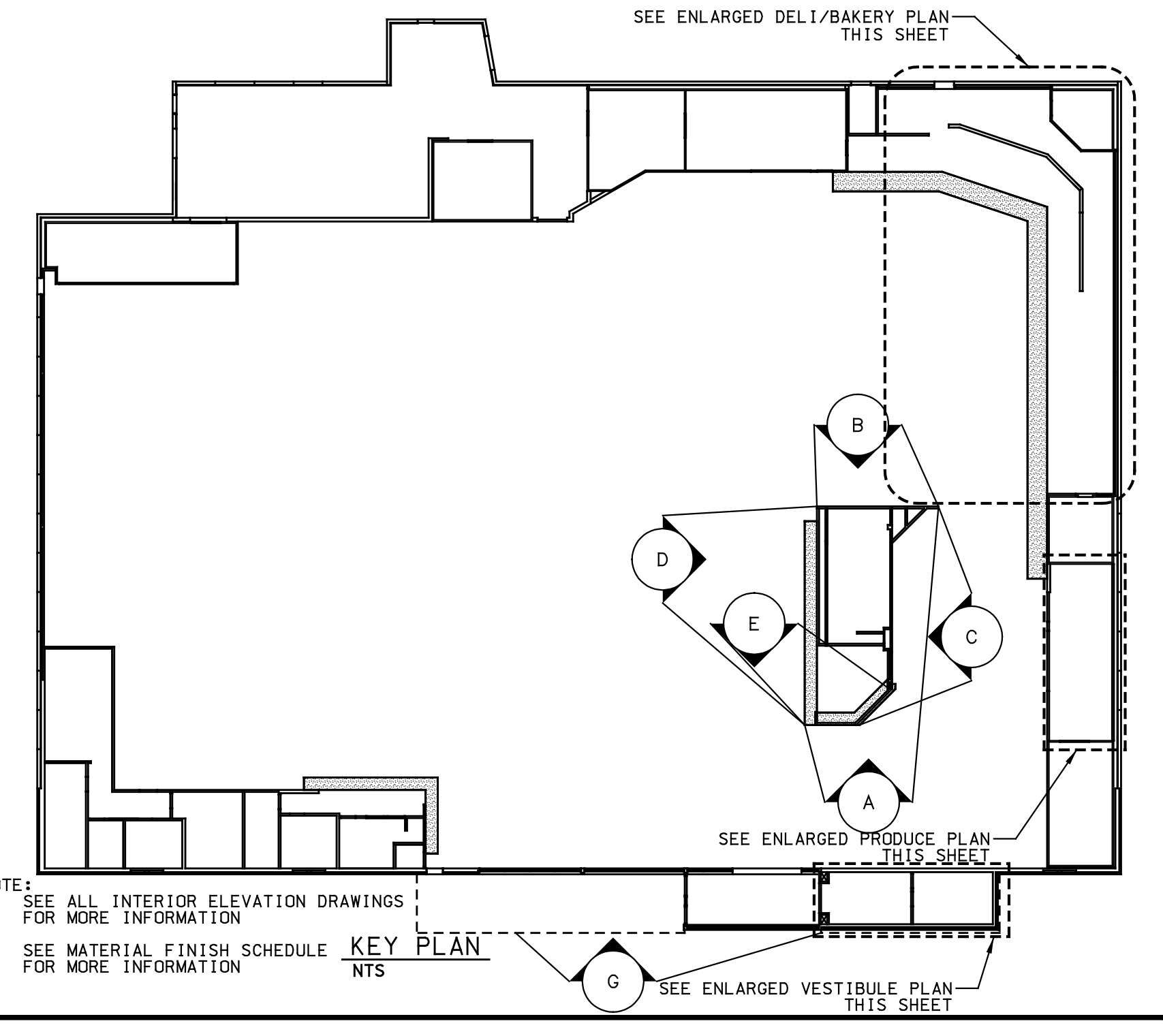
O ENLARGED VESTIBULE PLAN  
1/4" = 1'-0"



P ENLARGED DELI/BAKERY PLAN  
1/4" = 1'-0"



Q EXTERIOR ELEVATION  
A9 1/2" = 1'-0"



R INTERIOR ELEVATIONS  
A9 1/4" = 1'-0"

DATE	BY	CHKD	APPD
DATE	BY	CHKD	APPD
DATE	BY	CHKD	APPD
DATE	BY	CHKD	APPD
DATE	BY	CHKD	APPD
DATE	BY	CHKD	APPD

PROJECT TITLE  
**Hannaford  
Riverside Street  
Portland, Maine**

SHEET TITLE  
**INTERIOR ELEVATIONS**

DESIGN	14" = 1'-0"
DRAWN	WALLACE II
CHECKED	WALLACE II
DATE	AUGUST, 2004
BY	BCM
DATE	AUGUST, 2004
BY	BCM
DATE	AUGUST, 2004
BY	BCM
DATE	AUGUST, 2004
BY	BCM

SHEET  
**A9**

PROJ. NO. PRSSA