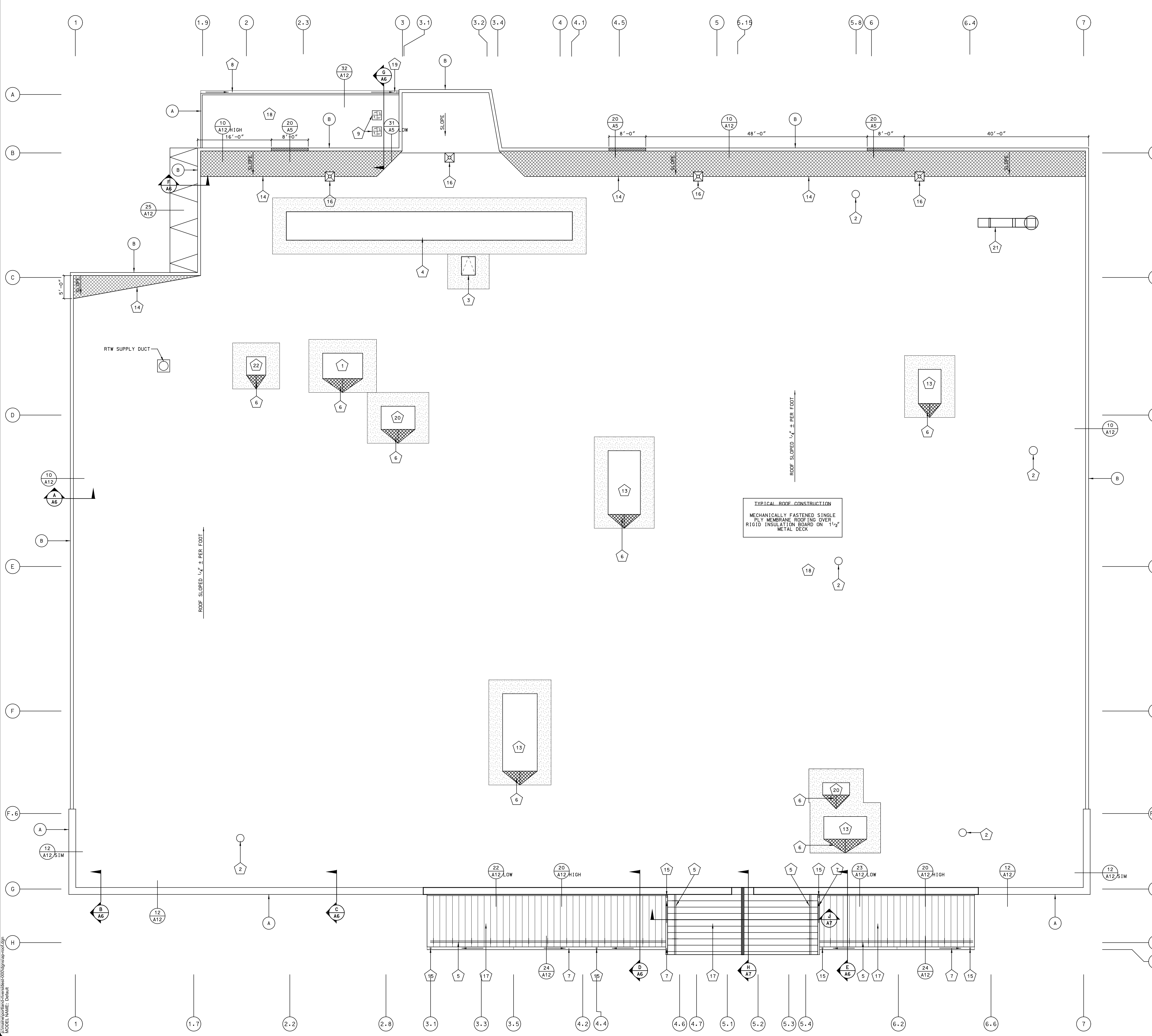
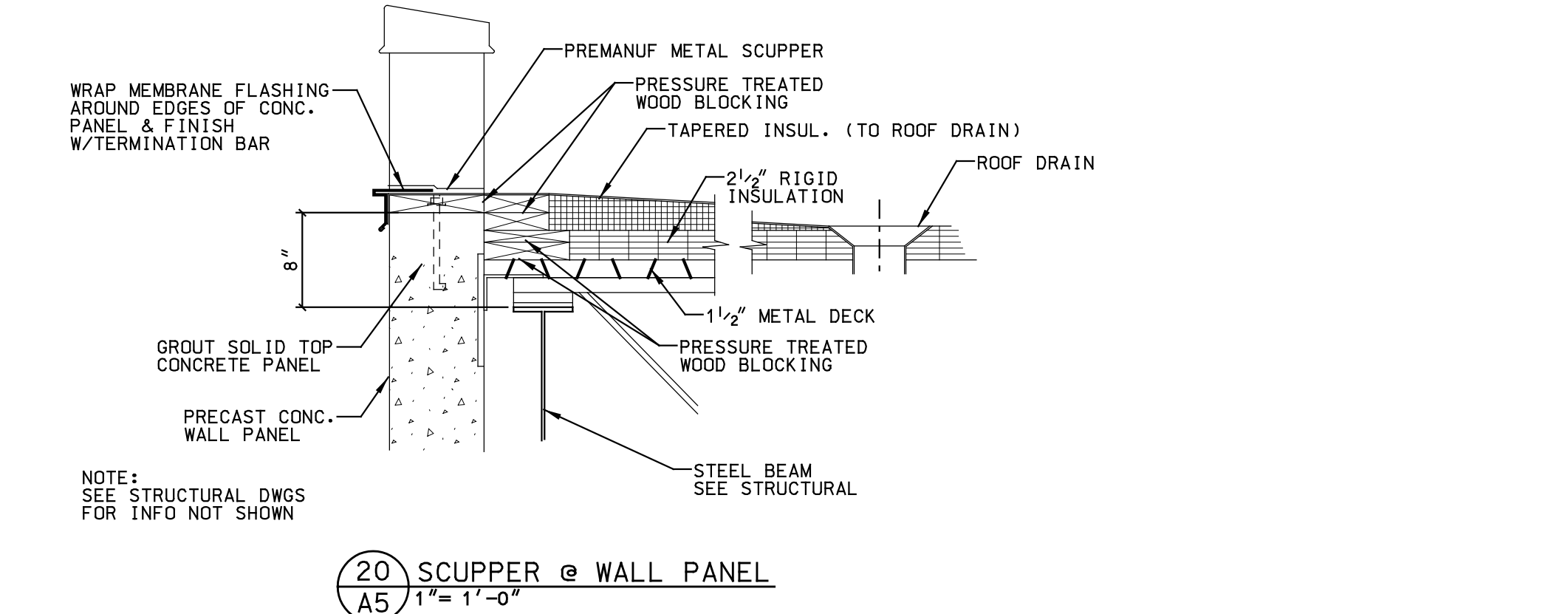
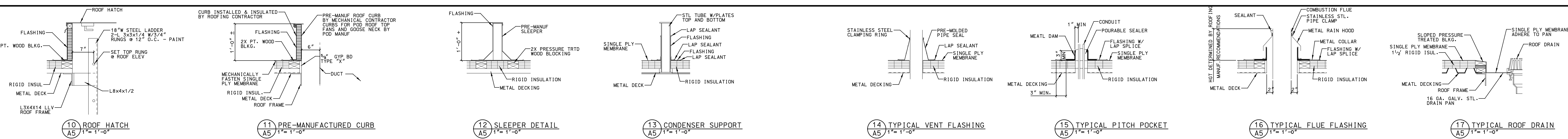


02/23/03

02/23/03



TYPICAL ROOF CONSTRUCTION
MECHANICALLY FASTENED SINGLE PLY MEMBRANE ROOFING OVER RIGID INSULATION BOARD ON 1 1/2" METAL DECK

LEGEND:

- INDICATES TAPERED INSULATION SLOPE 1/4" PER FOOT
- INDICATES 3'-0" WIDE WALKWAYS 1" AIR GAP BETWEEN PADS
- A** ROOF EDGE FLASHING COLOR - SEE ELEVATION
- B** COPING FLASHING COLOR - SEE ELEVATION

- 1** RTW - SEE DET 11/A5 REFER TO MECH DWGS FOR SIZES AND TYPES
- 2** EF - SEE DET 11/A5 REFER TO MECH DWGS FOR SIZES AND TYPES
- 3** ROOF HATCH DET 10/A5 COORD W/LOCATION OF ACCESS LADDER AND ROOF FRAMING
- 4** CONDENSER SUPPORT DET 13/A5 (TYP 12 PLACES)
- 5** SNOW GUARDS WITH ICE FLAGS
- 6** TAPERED INSUL CRICKET TYP @ EA ROOF TOP UNIT
- 7** GUTTER (FRONT CANOPY) TYP - DET 15, 24 & 41/A12
- 8** GUTTER (MECH/ELEC CENTER) TYP - DET 32/A12
- 9** EXHAUST FANS SUPPLIED BY 1/2" CENTER MANUF. INSTALLED AND FLASHED BY GC - DET 11/A5
- NOT USED** - SEE DET 16/A8
- NOT USED** - SEE DET 16/A8
- NOT USED** - SEE DET 16/A8
- 13** RTU - SEE DET 11/A5 REFER TO MECH DWGS FOR SIZES AND TYPES
- 14** TAPERED INSULATION SLOPE TO DRAIN
- 15** 4" DIA. DOWNSPOUT SEE WALL SECTIONS FOR MATERIAL
- 16** 8" ROOF DRAIN (TYP) DETAIL 17/A5
- 17** STANDING SEAM METAL ROOFING
- 18** MECH FASTENED SINGLE PLY ROOFING MEMBRANE
- 19** 4" DIA. DOWNSPOUT
- 20** CONDENSER UNIT - SEE DET 12/A5 REFER TO PLUMBING DWGS FOR MORE INFORMATION
- 21** HOOD - SEE DET 11/A5 & 10/A5 REFER TO MECHANICAL DWGS FOR UNIT SIZES
- 22** RT - SEE DET 12/A5 REFER TO MECHANICAL DWGS FOR SIZES AND TYPES

GENERAL NOTES:

1. ALL WOOD USED AT THE ROOF LEVEL SHALL BE PRESSURE TREATED. PRESSURE TREATMENT SHALL BE COMPATIBLE WITH THE ROOFING MEMBRANE.
2. COORDINATE ALL ROOF PENETRATIONS WITH THE WORK OF THE OTHER TRADES.
3. DECK OPENINGS 6" TO 15" WIDE WELD 18 GA GALV SHEET METAL TO AROUND OPENING TO TOP SURFACE OF ROOF DECK. 24" X 24" STEEL ANGLE TO UNDERLIE. DECK AT RIGHT ANGLES TO DECK RIBS. EXTEND ANGLE THREE RIBS BEYOND EACH SIDE OF OPENING. WELD AT EACH RIB. WELD 18 GA GALV SHEET METAL 12" AROUND OPENING TO TOP SURFACE OF ROOF DECK. DECK OPENINGS 24" WIDE AND LARGER PROVIDE 4" X 3/4" STEEL ANGLE ROOF FRAMES SUPPORTED BY STRUCTURAL STEEL FRAMING.
4. PROVIDE PITCH POCKET FOR EACH PIECE OF ROOF TOP EQUIPMENT FOR ELECTRICAL PENETRATIONS DET 15/A5.
5. ALL EQUIPMENT ON MECHANICAL CENTER ROOF SUPPLIED WITH MECHANICAL CENTER. GENERAL CONTRACTOR RESPONSIBLE FOR INSULATION, ROOFING & FLASHING ON MECHANICAL CENTER.
6. ALL REFRIGERATION PENETRATIONS IN MECH CENTER ROOF COORDINATE IN FIELD W/REFRIGERATION CONTRACTOR. SEE DETAIL 15/A5.
7. SEE MATERIAL FINISH SCHEDULE FOR PAINT COLORS.
8. NOT ALL ROOF PENETRATIONS ARE SHOWN ON THE ROOF PLAN. ROOFING CONTRACTOR TO PROVIDE WATER TIGHT FLASHING AS REQUIRED FOR ALL ROOF PENETRATIONS. REFER TO DWG A5 & A12 FOR ROOF DETAILS.
9. CONTRACTOR TO PROVIDE PRE-MANUF. WELDED INSIDE AND OUTSIDE CORNERS AND WELD END CAPS FOR PRE-MANUF. COPINGS AND ROOF EDGE FLASHINGS. CUSTOM TRANSITIONS SHALL BE PRE-FAB AND WELDED.
10. FOR ROOF AND STORM DRAINAGE SEE PLUMBING AND SITE DWGS.
11. REFER TO PLUMBING DRAWINGS FOR QUANTITY AND LOCATION OF VTRIC FLASH LONG DETAIL W/A5/A.
12. REFER TO TYPICAL DETAILS FOR MORE INFORMATION.

DATE	BY	CHK	DESCRIPTION

PROJECT TITLE
Hannaford
Riverside Street
Portland, Maine

SHEET TITLE
ROOF PLAN & DETAILS

DESIGN	K.S.T.PIERRE	DATE	AUGUST, 2004
DRAWN	WALLACE II	DATE	AUGUST, 2004
CHECKED		DATE	
PROJECT MGR		DATE	