

CEILING SCHEDULE

CEILING TYPES

- (A) SALES AND RECEIVING AREA: STRUCTURAL STEEL AND DECKING PAINT P1
- (B) RESTROOM CEILINGS: GYPSUM BOARD W/6" MTL. STUD @ 16" OC. COLOR: #1
- (C) OFFICE, PHARMACY, CUSTOMER SERVICE, AND BOTTLE AREA: ARMSTRONG 1129 FINE FISURED SQUARE LAY-IN COLOR: WHITE
- (D) PHARMACY WAITING: ARMSTRONG 1129 FINE FISURED SQUARE LAY-IN COLOR: CREAM
- (E) BAKERY, DELI, PRODUCE, AND SEAFOOD PREP AREAS: ARMSTRONG 1129 FINE FISURED SQUARE LAY-IN COLOR: WHITE USE 118 FOR FULL SIZE PANELS ONLY, USE 121 FOR PANELS CUT IN FIELD.
- (F) COOLER/FREEZER: SEE COOLER PLAN
- (G) FRONT VESTIBULE: STEEL DECKING PAINT P1 STRUCTURAL STEEL PAINT FOREST GREEN

CEILING HEIGHTS

- (1) 7'-10" AFF
- (2) 8'-0" AFF
- (3) 9'-0" AFF
- (4) 9'-6" AFF
- (5) 10'-0" AFF
- (6) 10'-6" AFF
- (7) EXPOSED TO DECK
- (8) SEE COOLER PLAN

GENERAL NOTES:

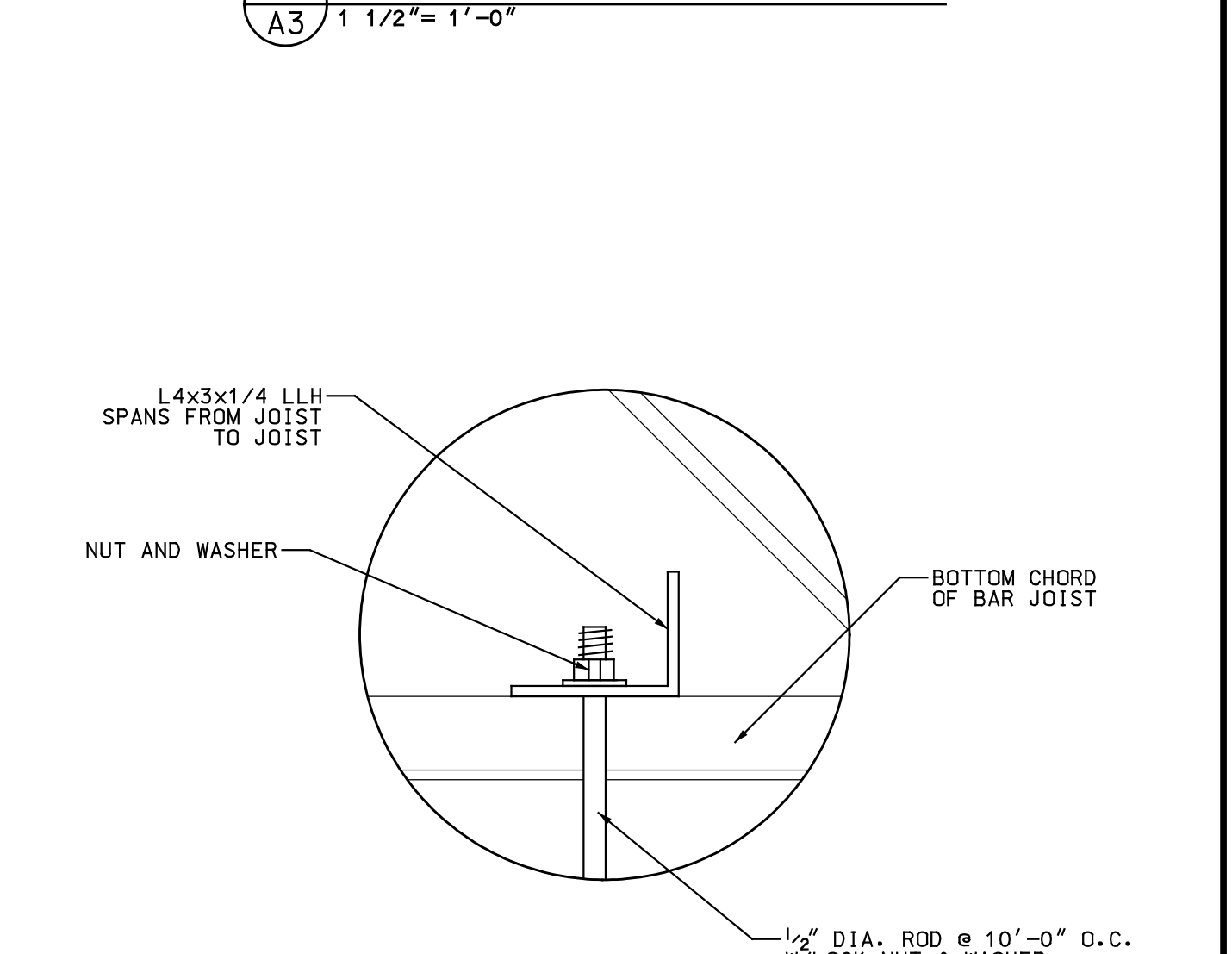
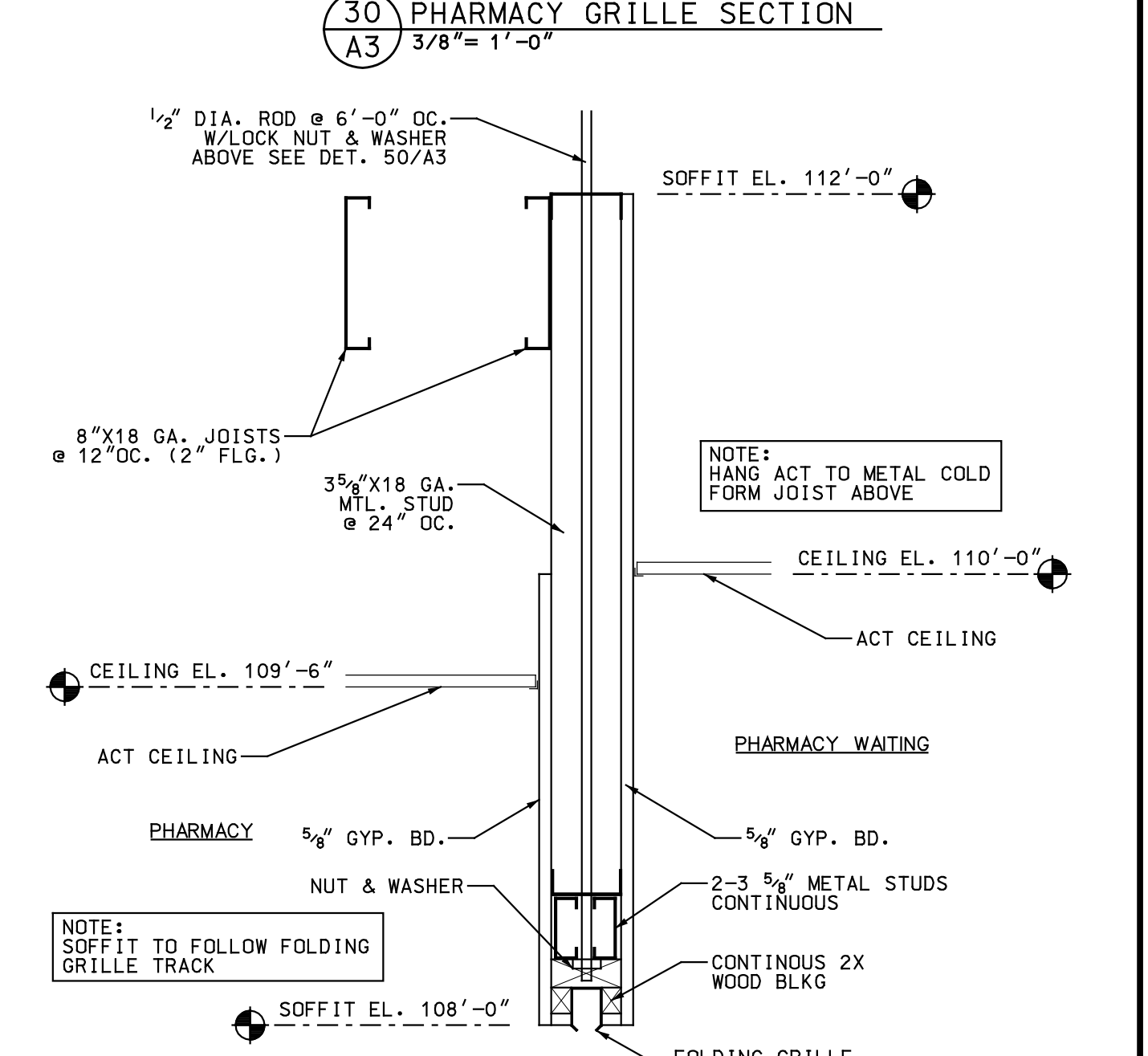
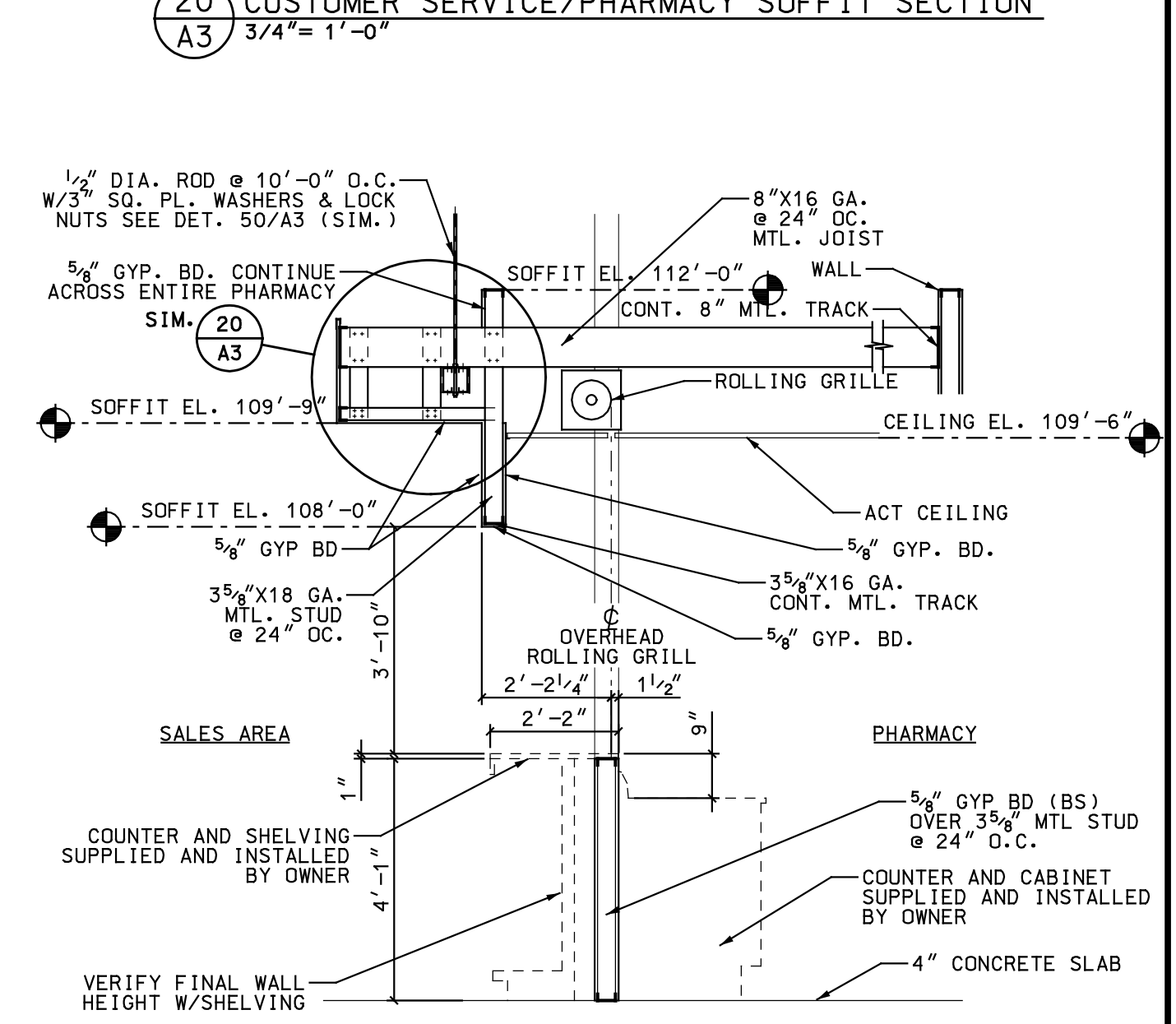
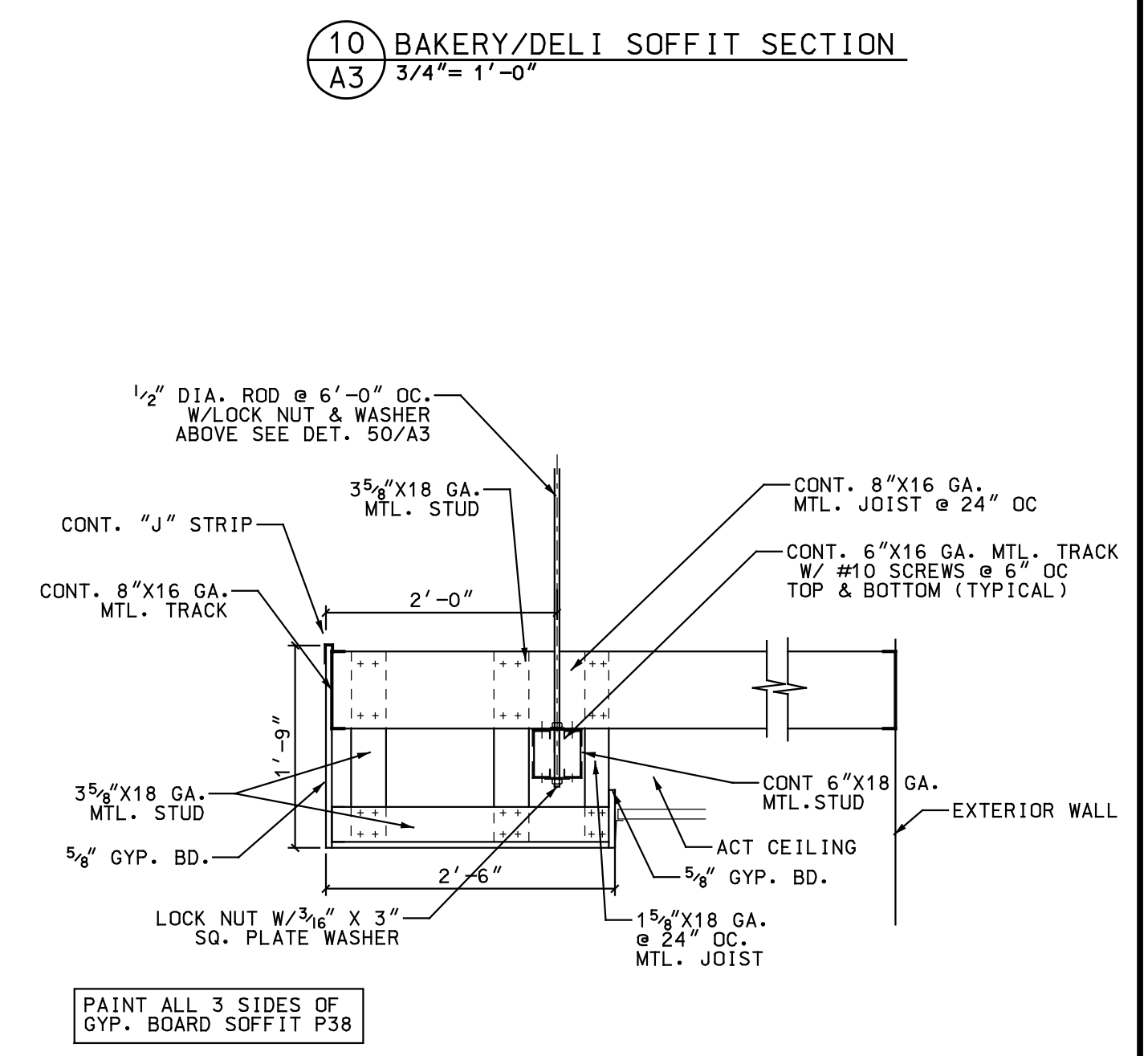
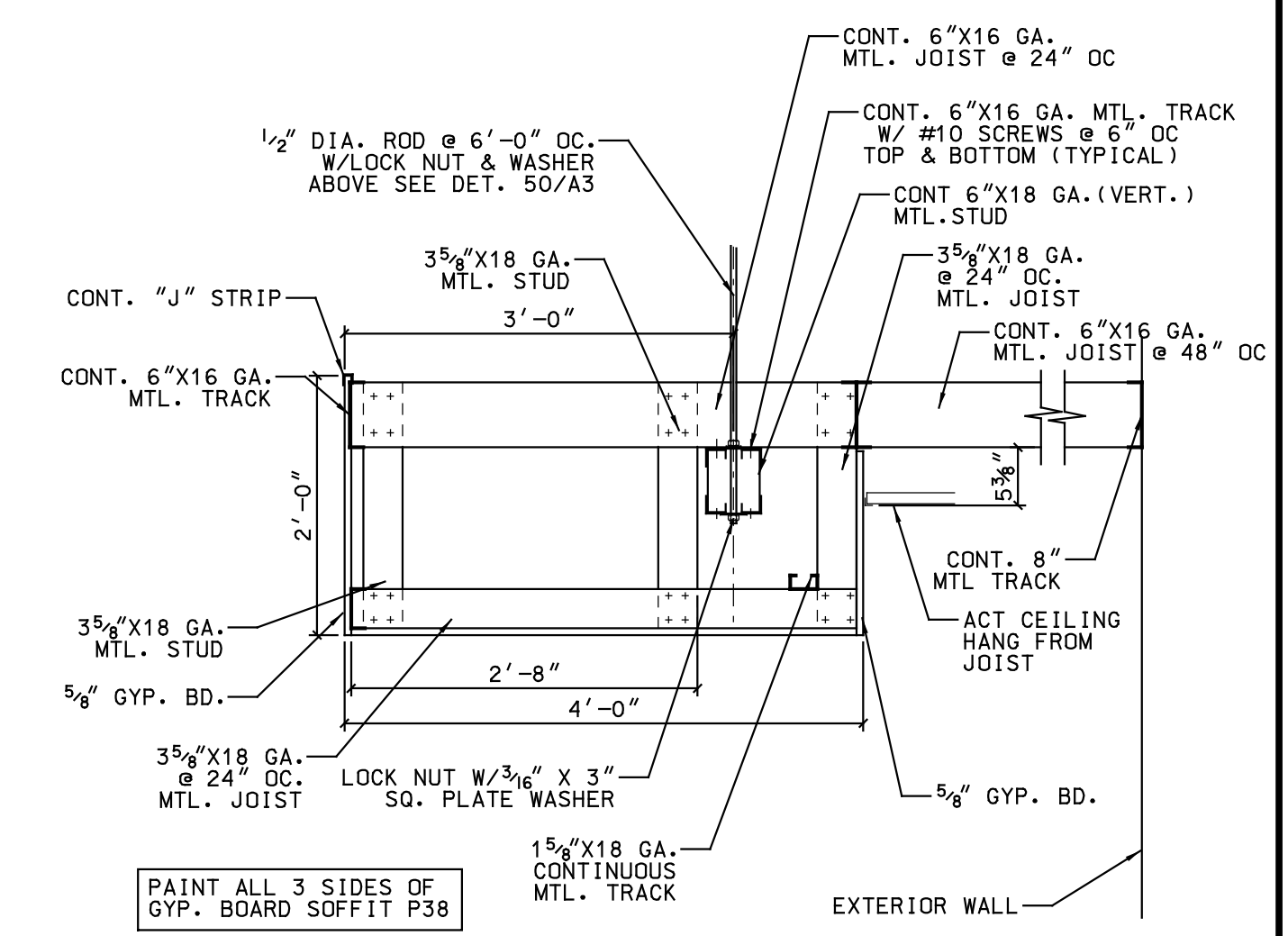
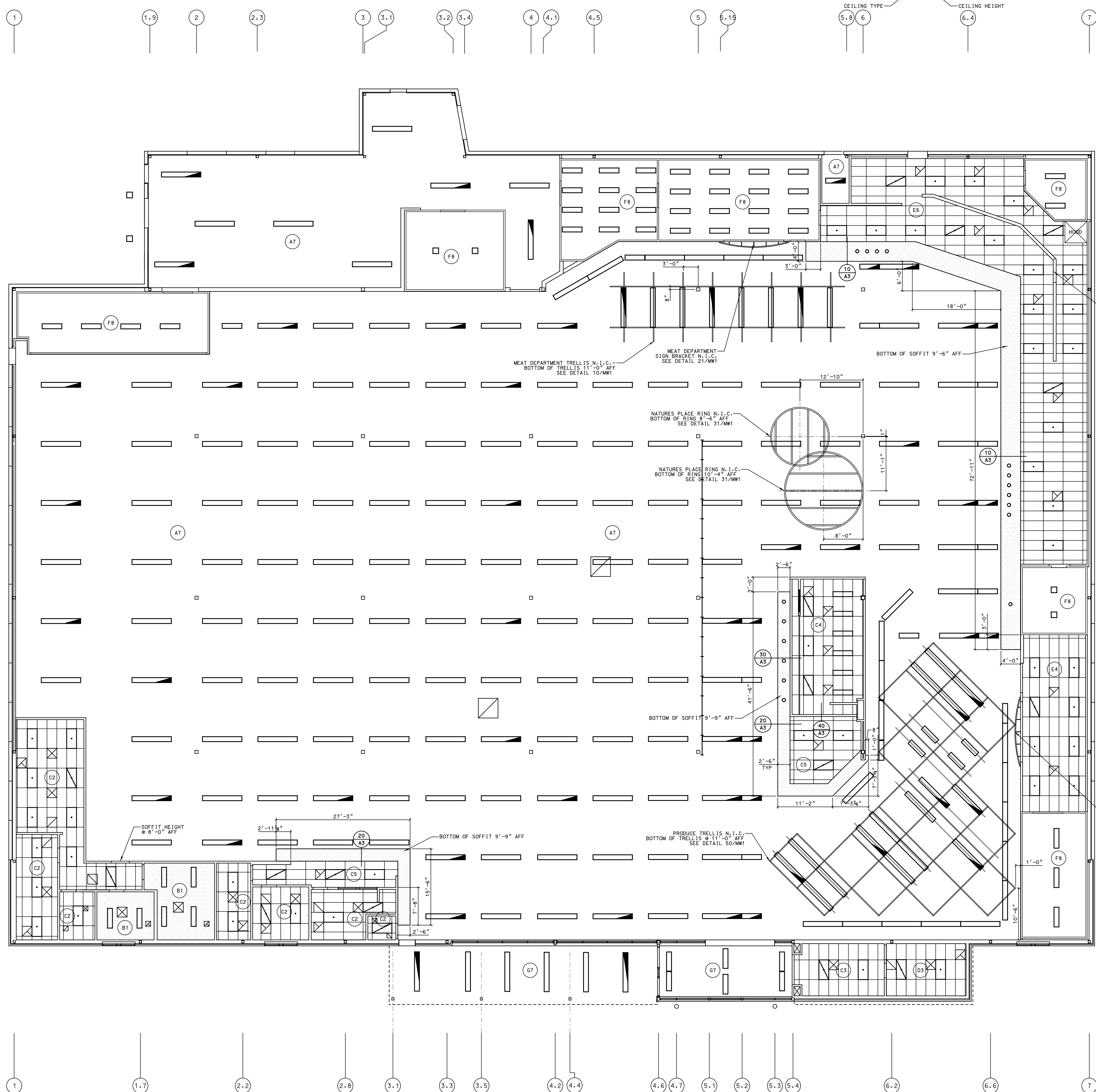
1. ALL STRUCTURAL STEEL, METAL DECK, CONDUIT, DUCTS, MISCELLANEOUS STEEL, ITEMS ETC. EXPOSED TO VIEW IN THE SALES AREA SHALL BE PAINTED (INCLUDING STRUCTURE AND WALL PANELS OVER THE DELI AREA).
2. COOLER AND FREEZER CEILINGS ARE BY THE COOLER MANUFACTURER.
3. REFER TO ELECTRICAL AND MECHANICAL DRAWINGS FOR EQUIPMENT MOUNTING HEIGHTS.
4. PAINT BOTTOM OF SOFFITS THE SAME AS THE SURFACE FACING THE SALES AREA. UNO.
5. ALL WIRE SUPPORTS FOR ACT CEILING SHALL BE PLUMB.

KEY PLAN

A1

CEILING TYPE

CEILING HEIGHT



DATE	BY	CHK	REVISIONS

Hannaford
Riverside Street
Portland, Maine

PROJECT TITLE
REFLECTED CEILING PLAN
& SOFFIT DETAILS

DESIGN	DATE
K STIERRE	AUGUST 2004
K STIERRE	
K STIERRE	
K STIERRE	