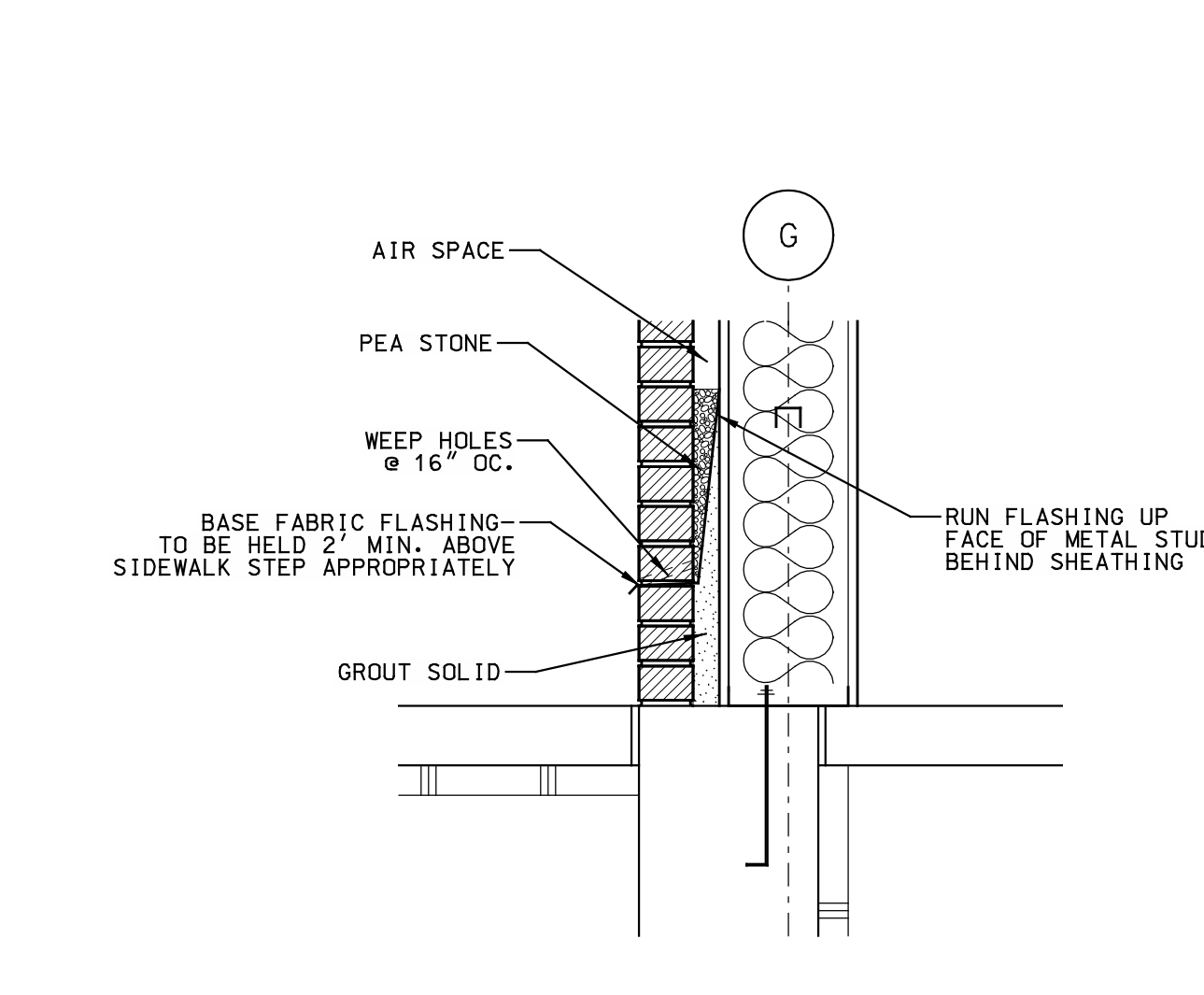
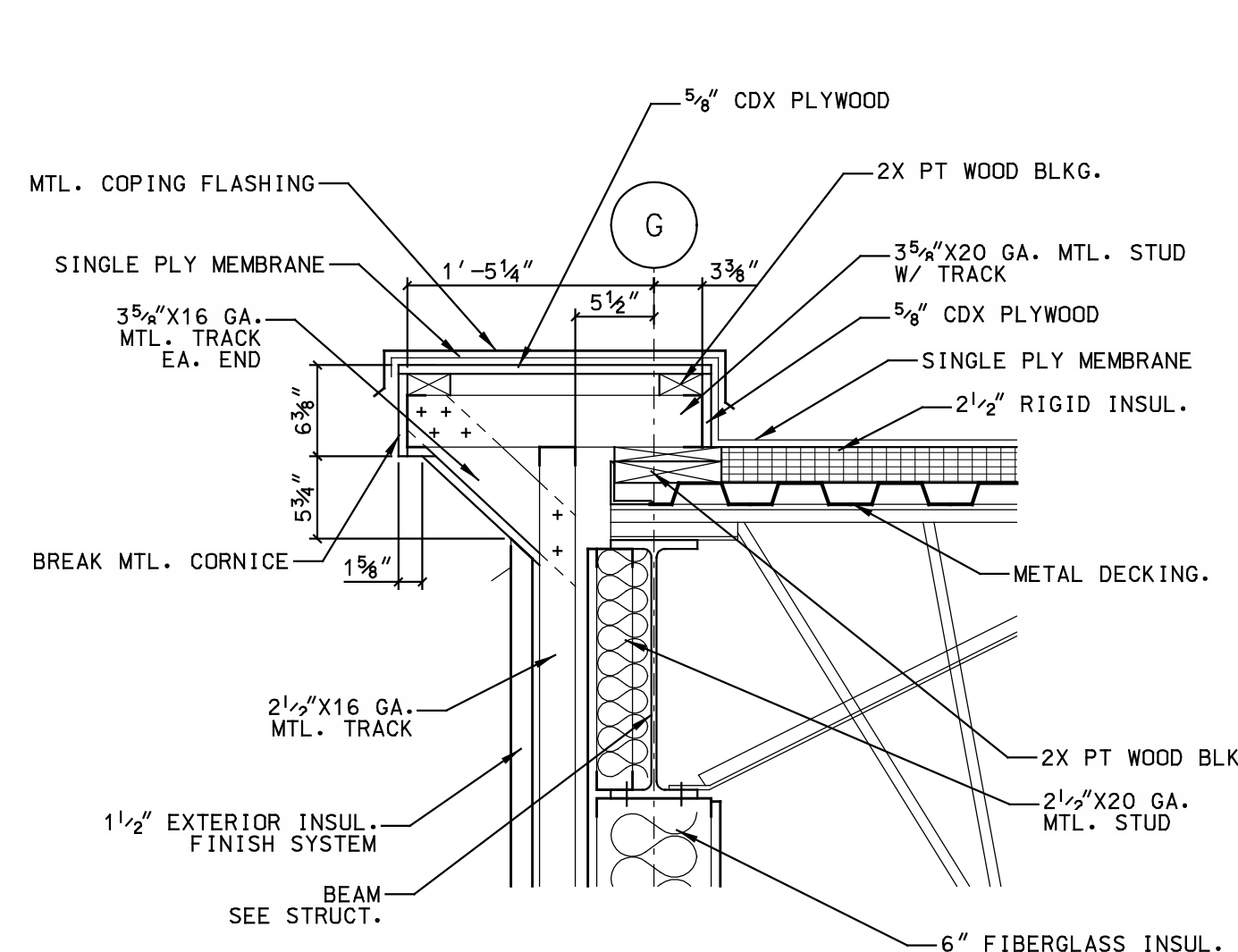


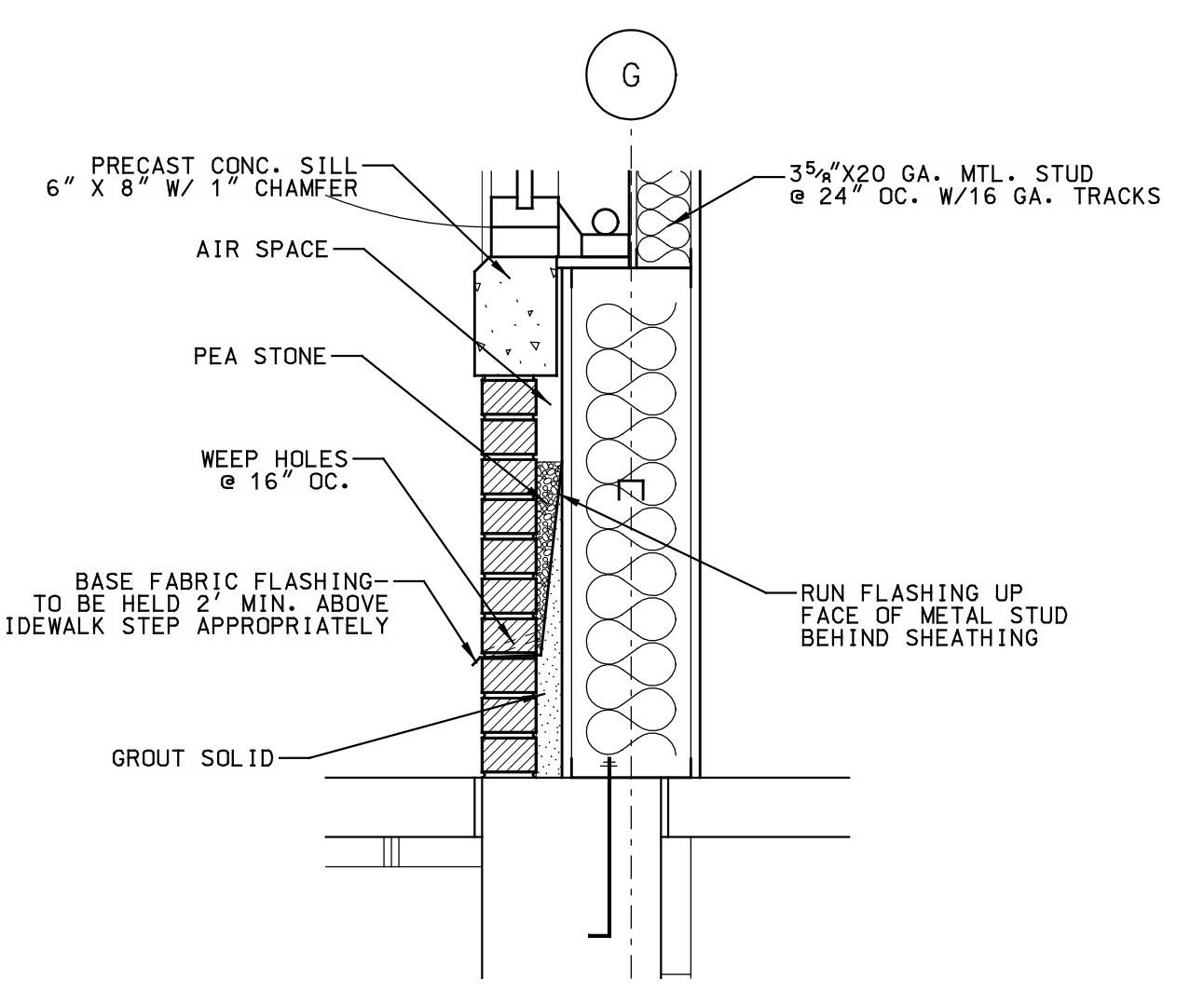
10 WALL DETAIL
A6 1"=1'-0"



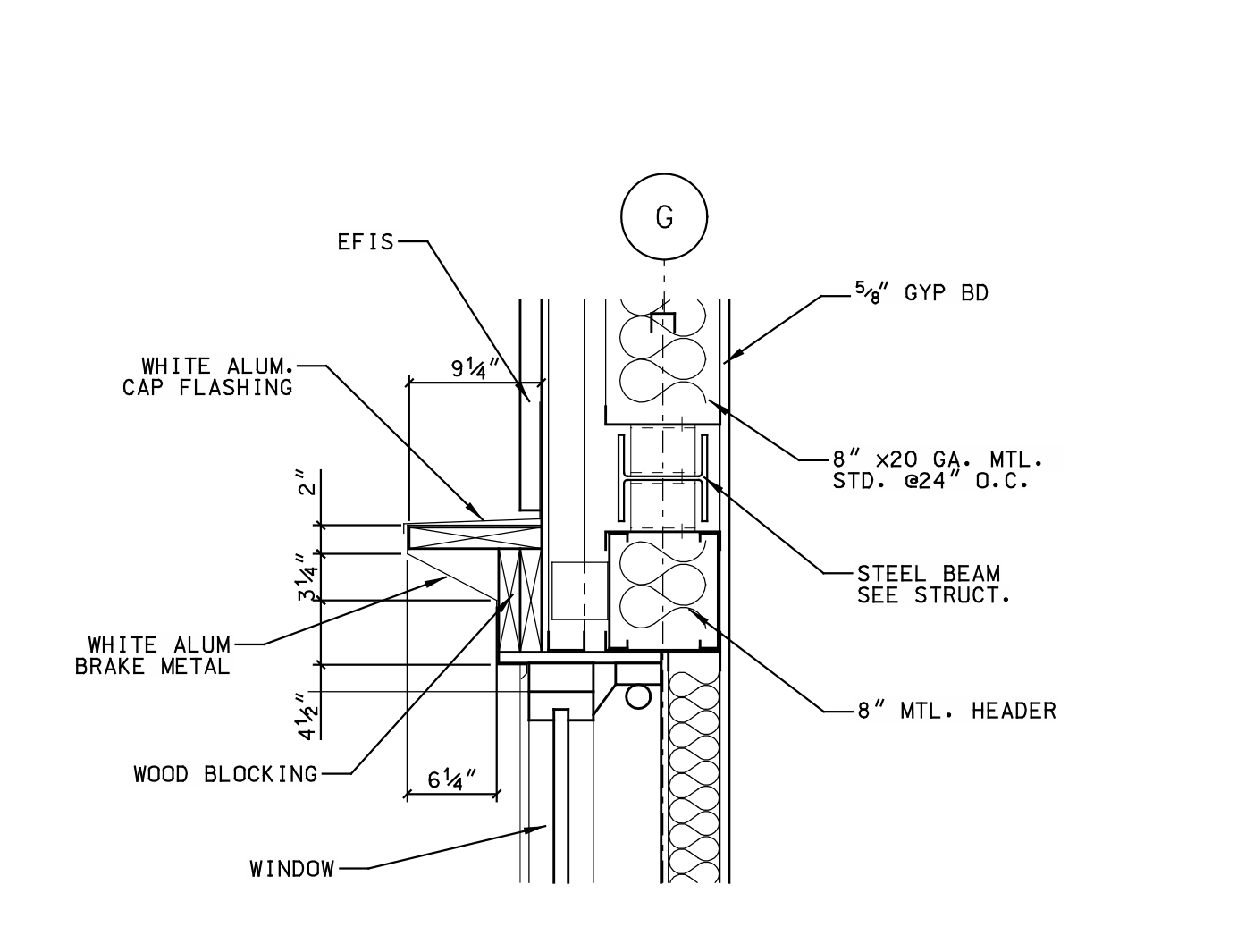
11 WALL DETAIL
A6 1"=1'-0"



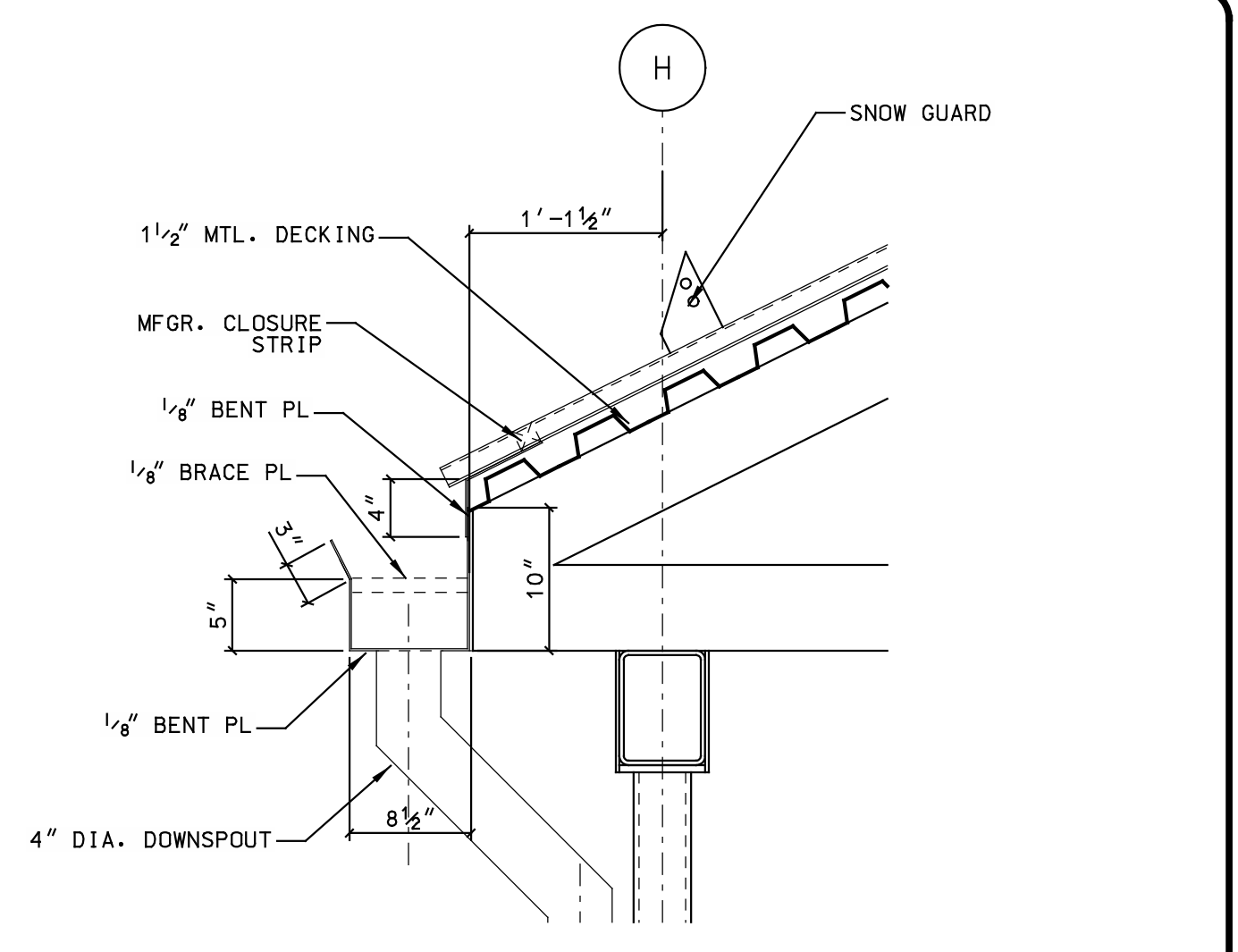
12 WALL DETAIL
A6 1"=1'-0"



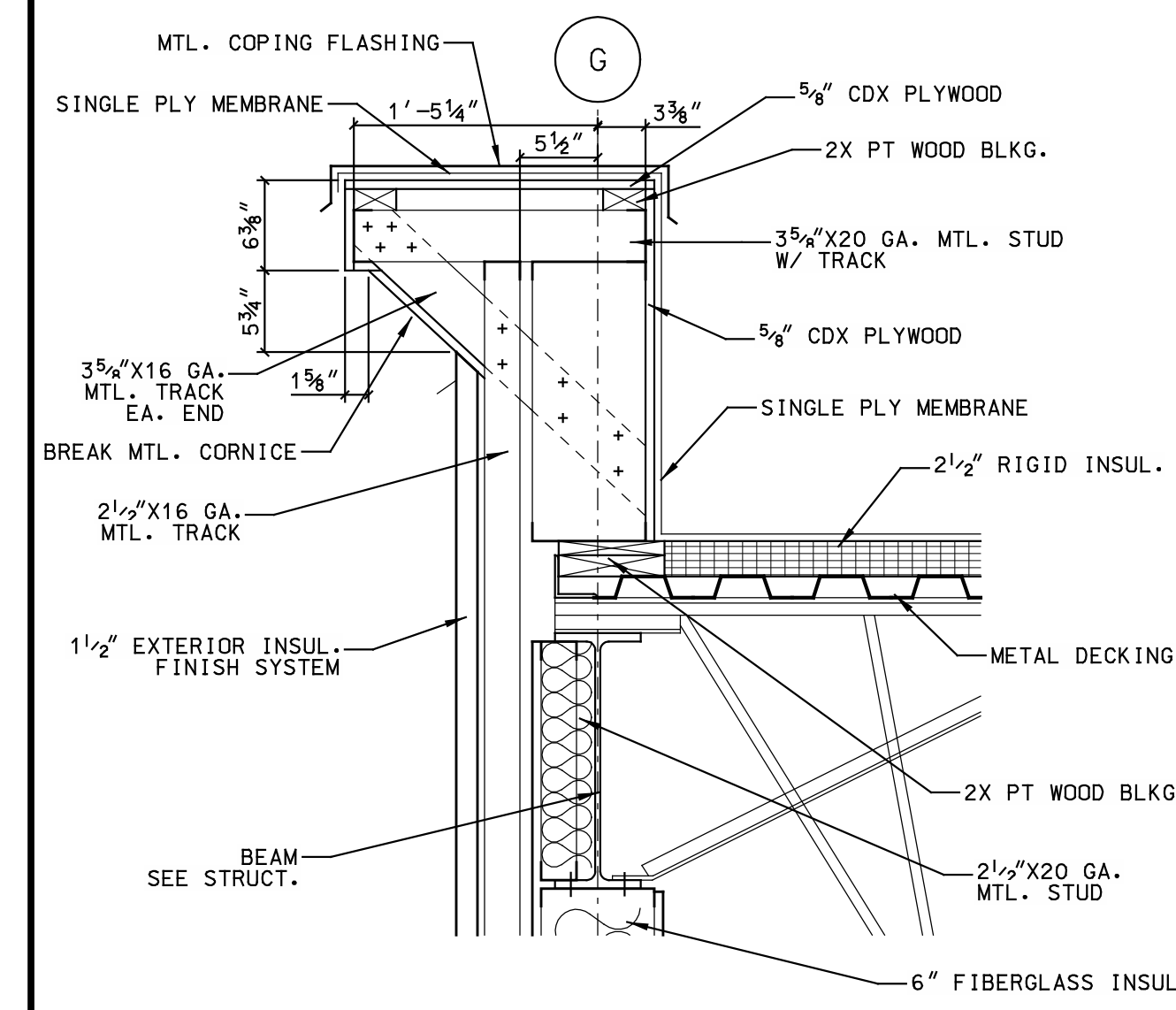
13 WALL DETAIL
A6 1"=1'-0"



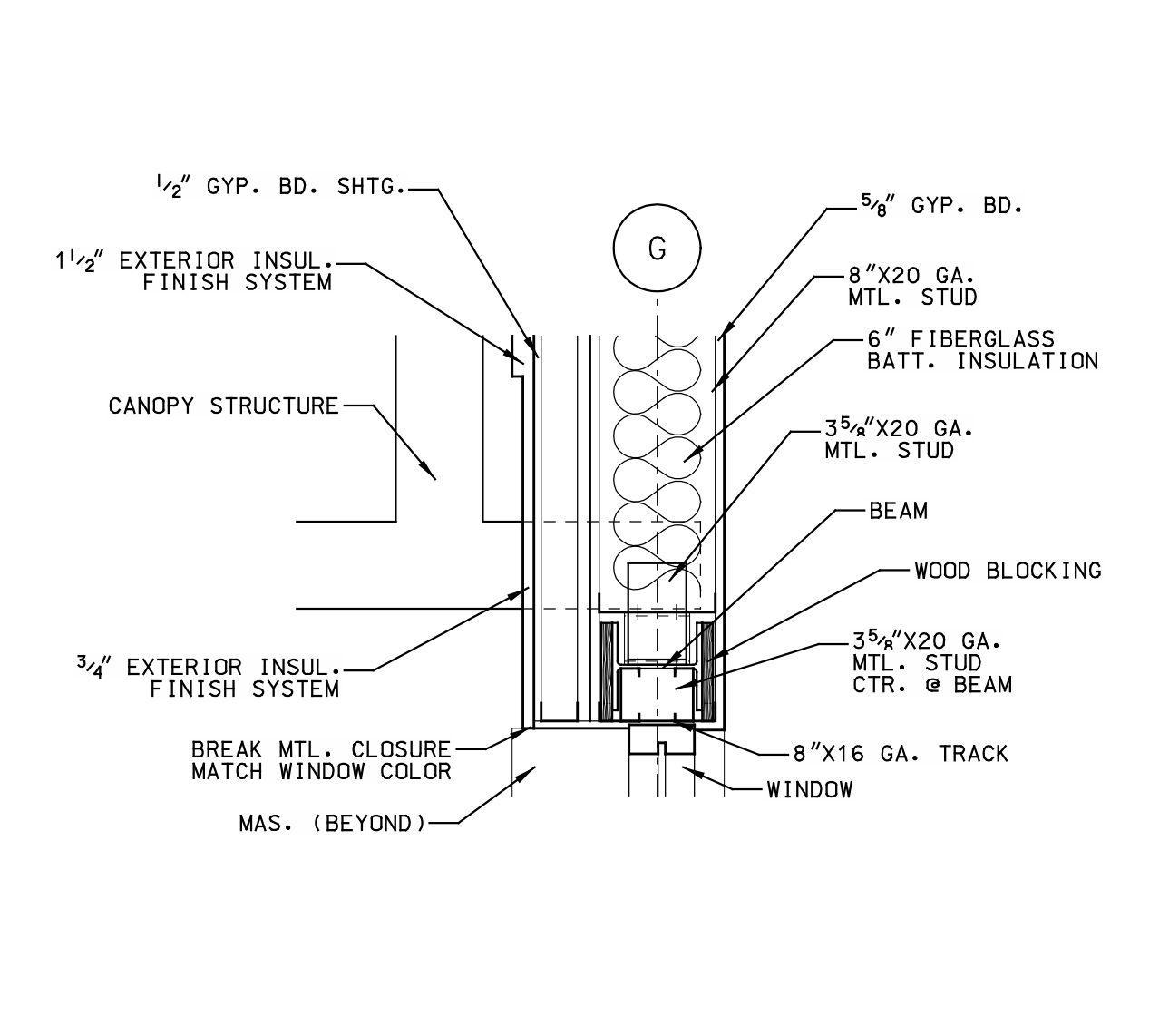
14 WALL DETAIL
A6 1"=1'-0"



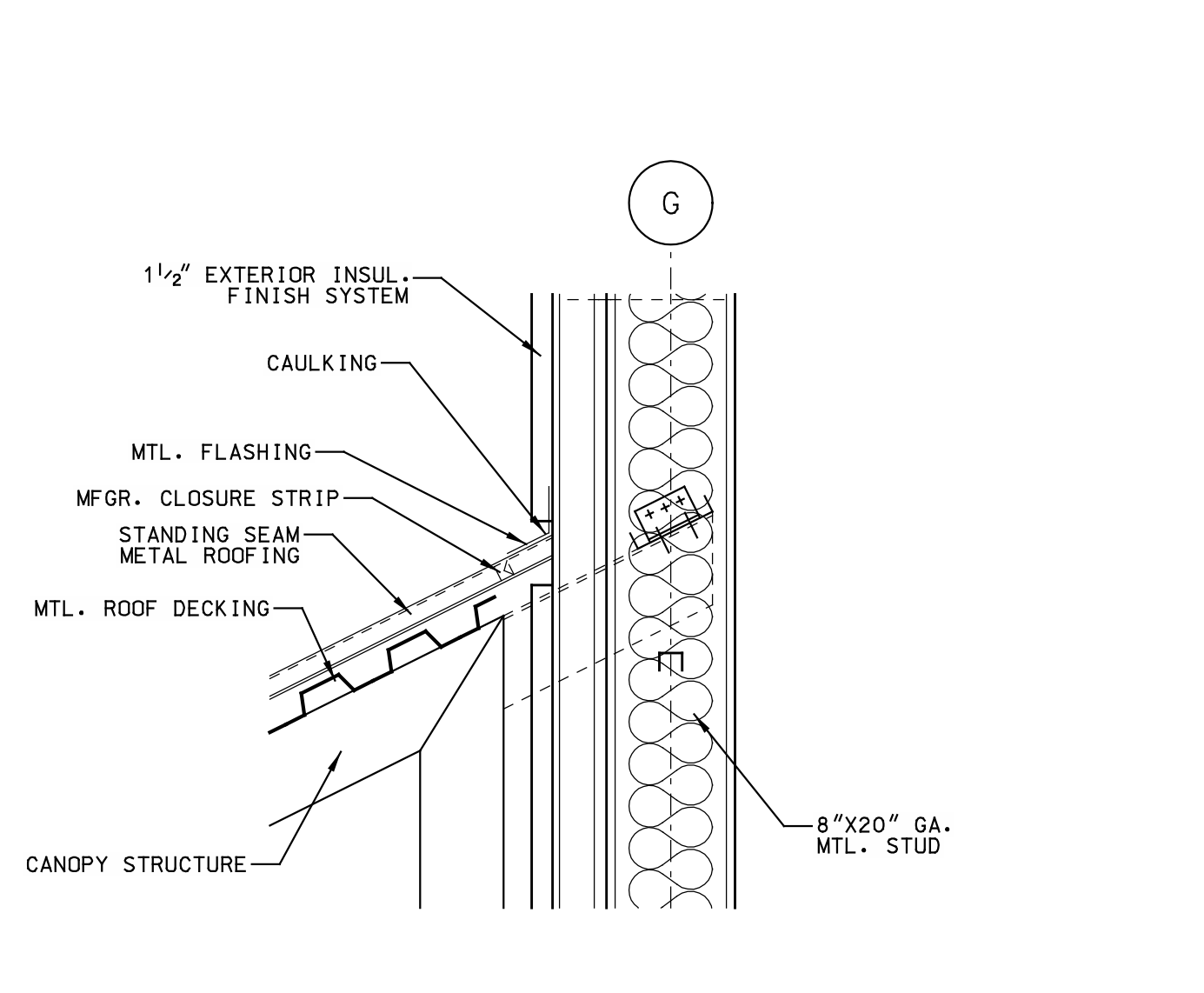
15 WALL DETAIL
A6 1"=1'-0"



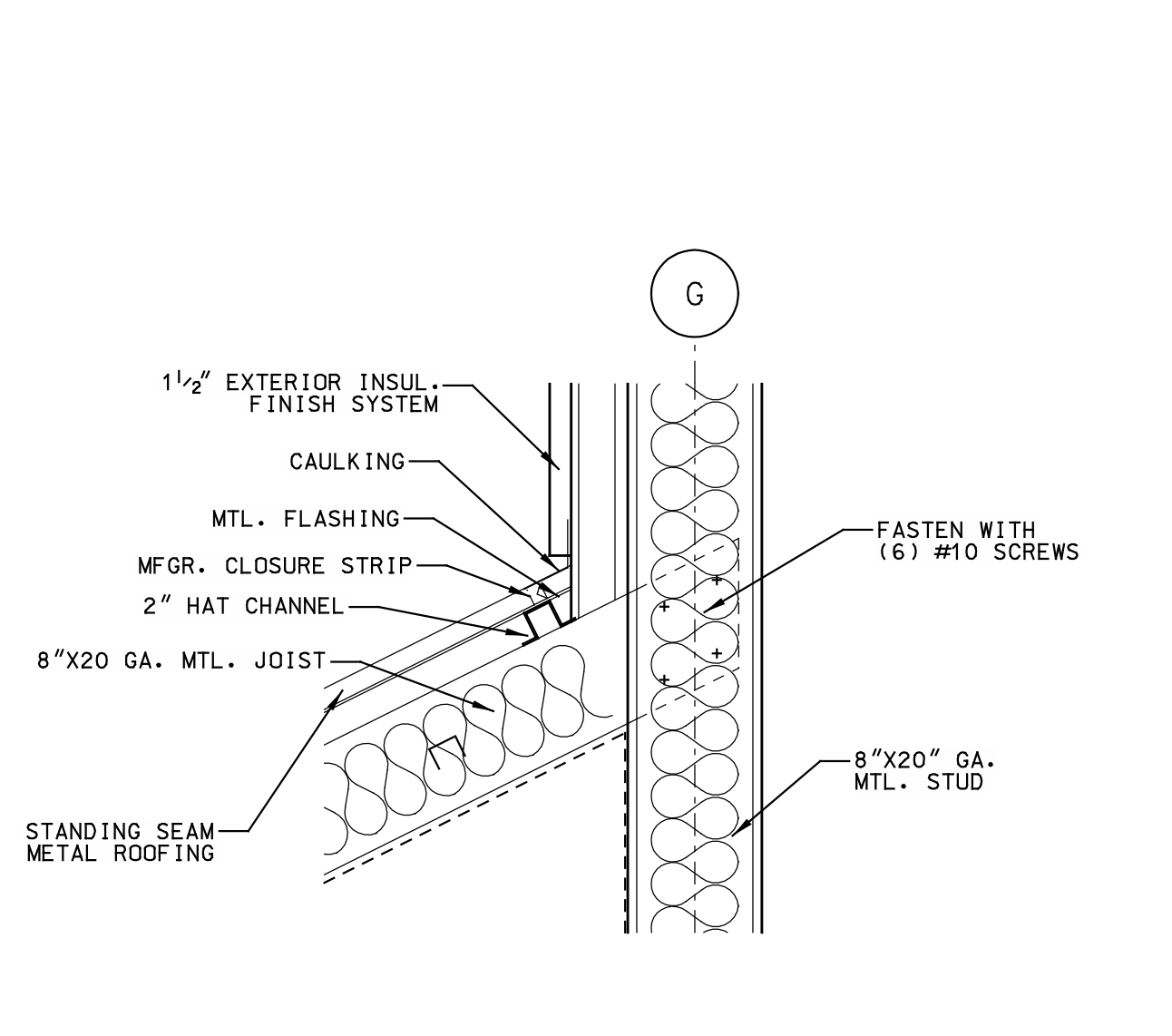
20 WALL DETAIL
A6 1"=1'-0"



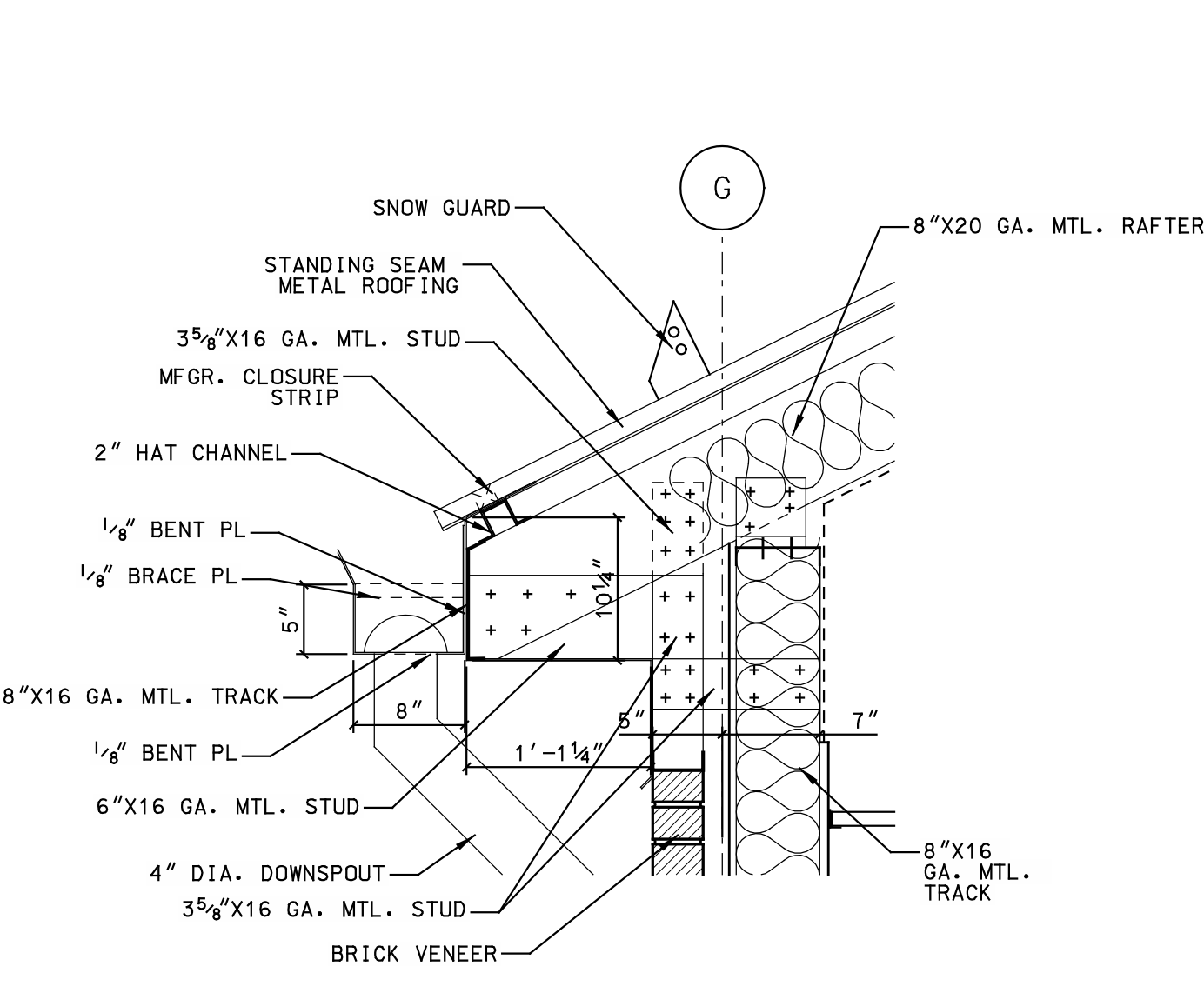
21 WALL DETAIL
A6 1"=1'-0"



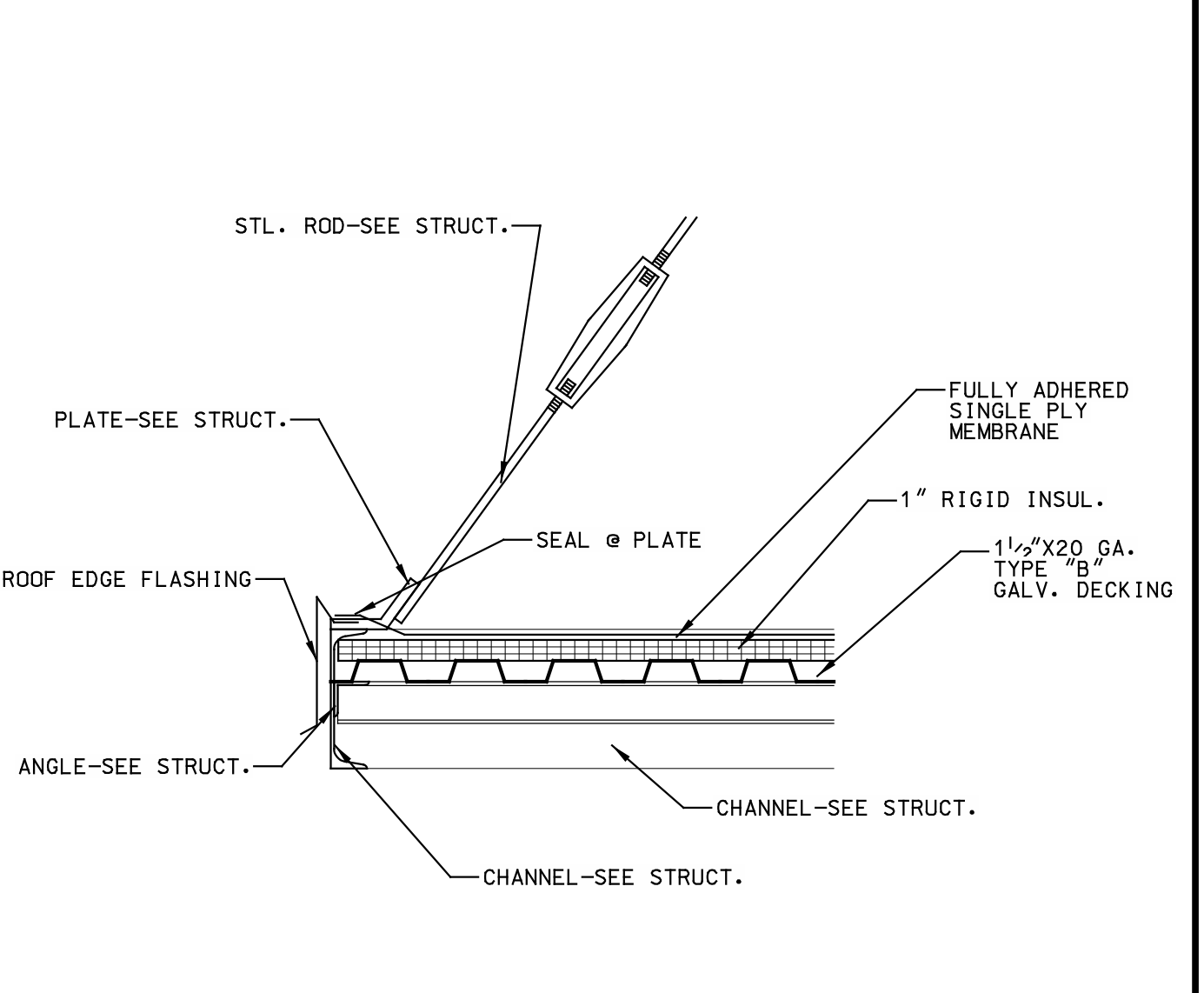
22 WALL DETAIL
A6 1"=1'-0"



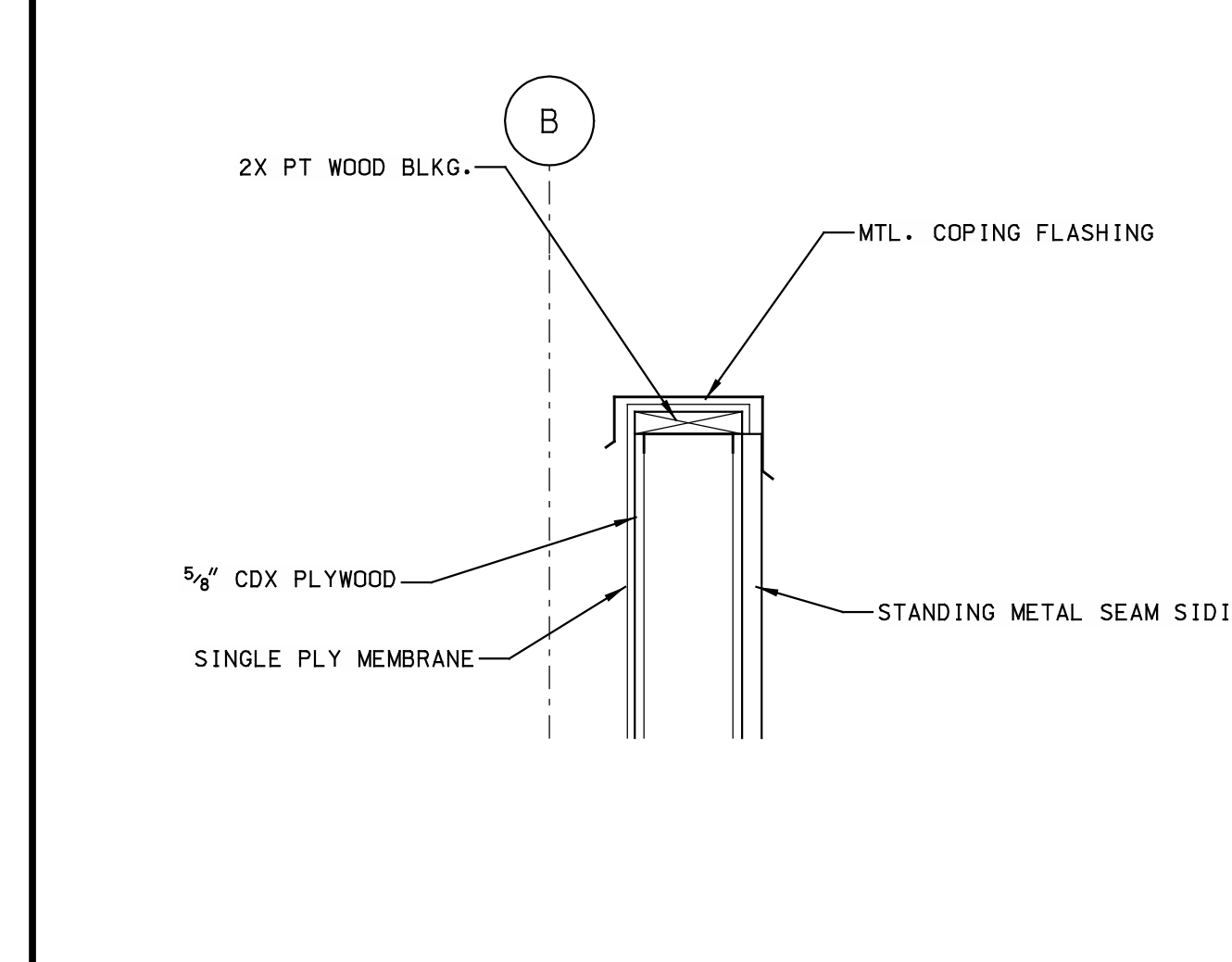
23 WALL DETAIL
A6 1"=1'-0"



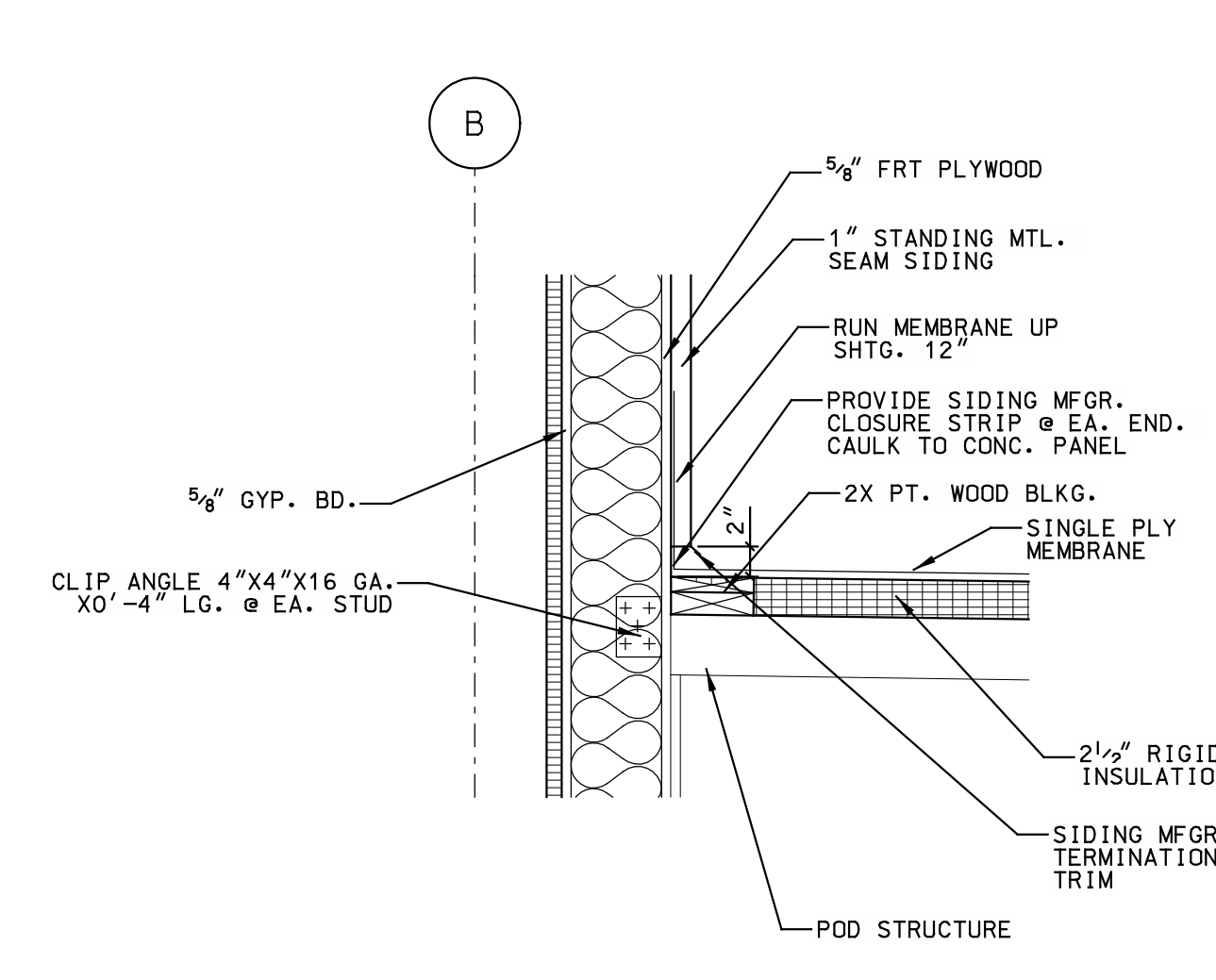
24 WALL DETAIL
A6 1"=1'-0"



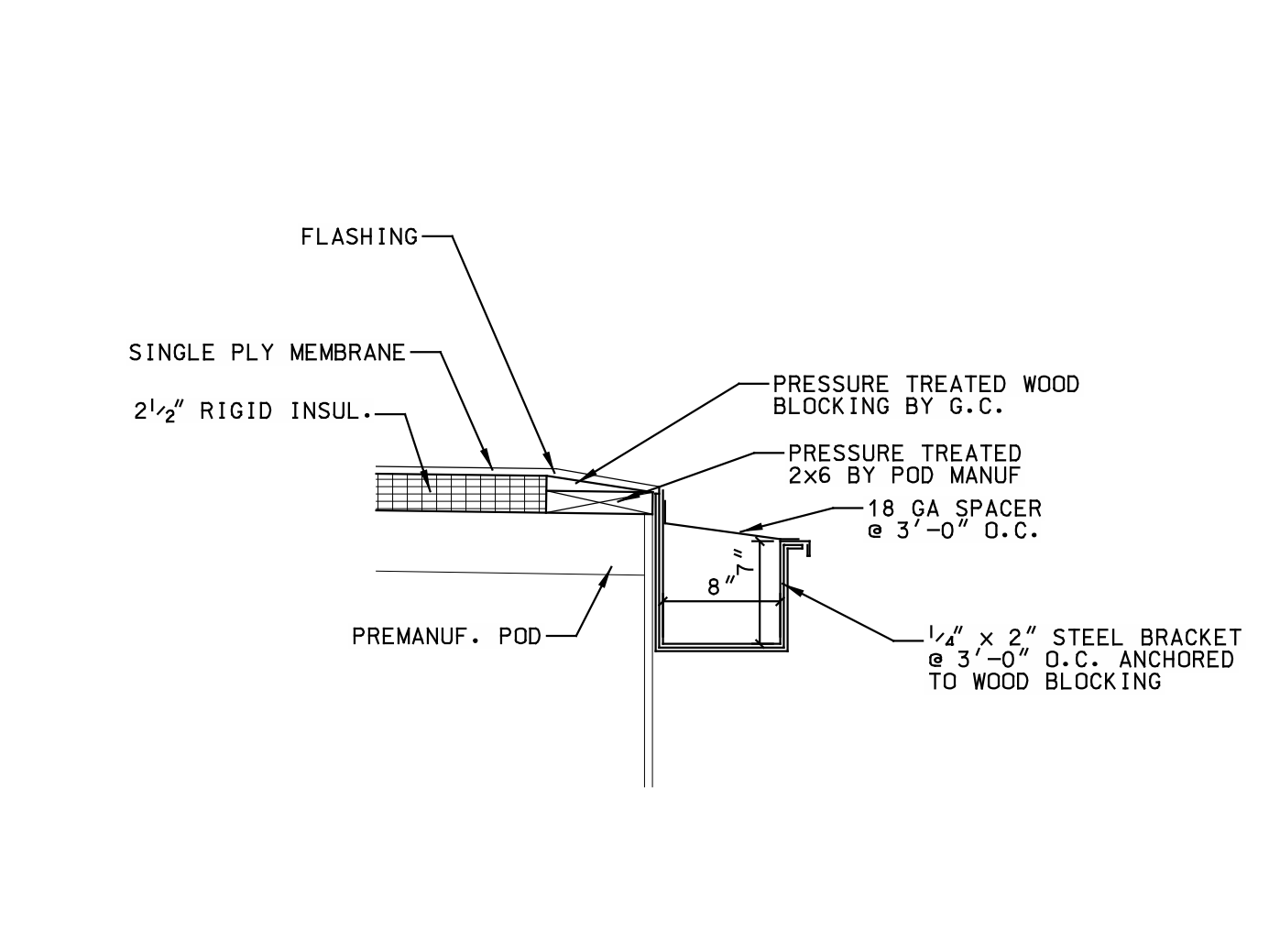
25 WALL DETAIL
A6 1"=1'-0"



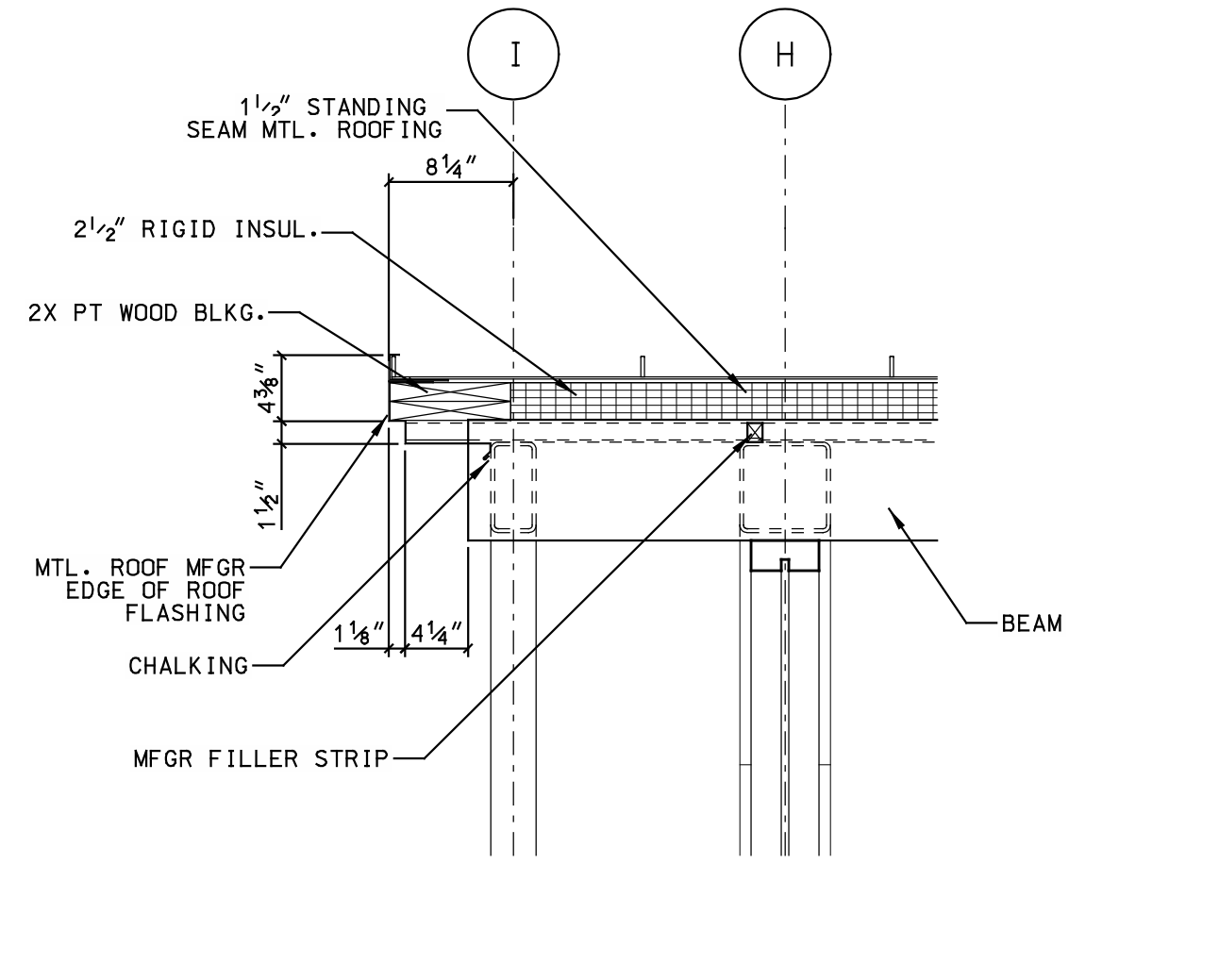
30 WALL DETAIL
A6 1"=1'-0"



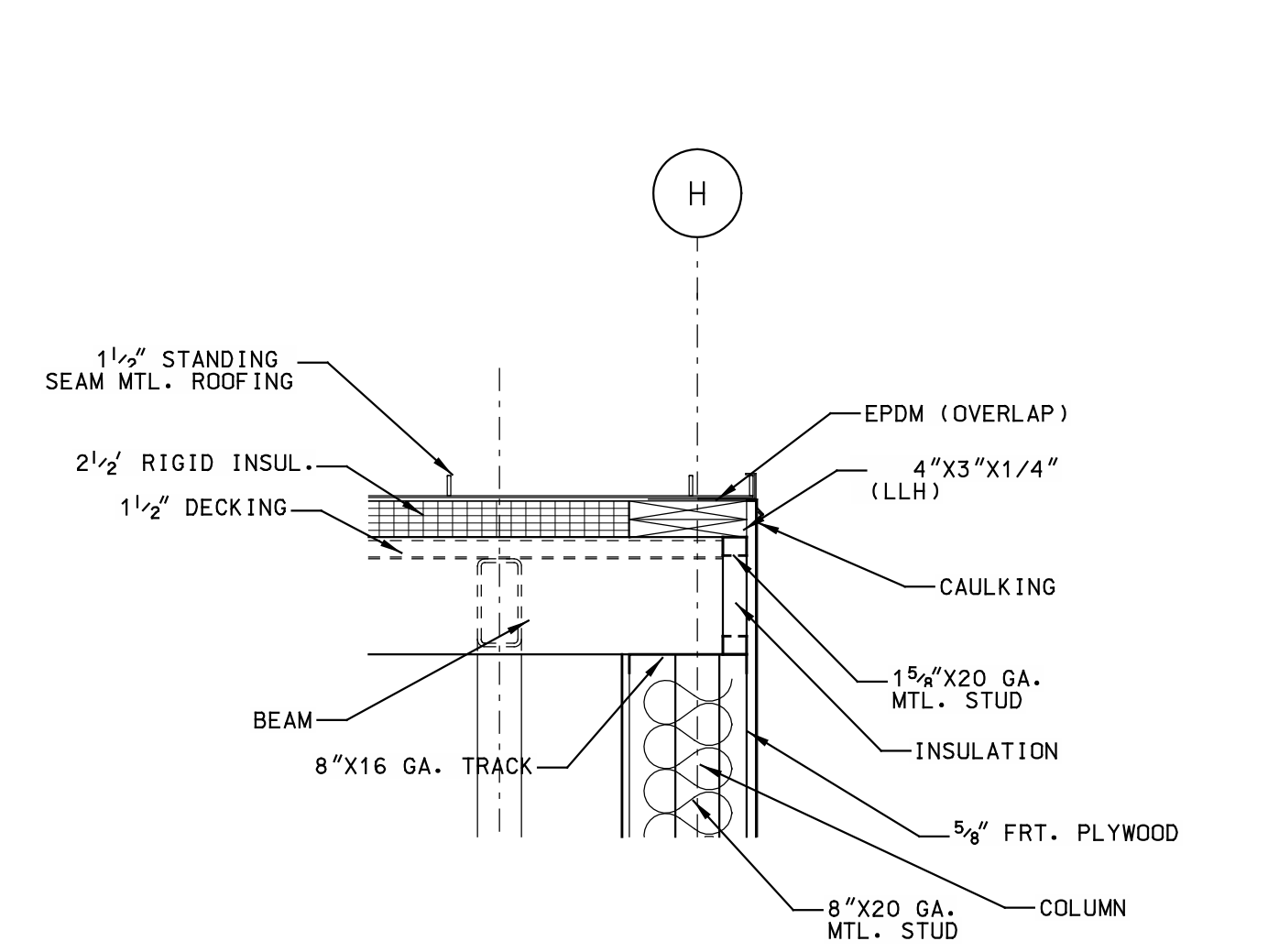
31 WALL DETAIL
A6 1"=1'-0"



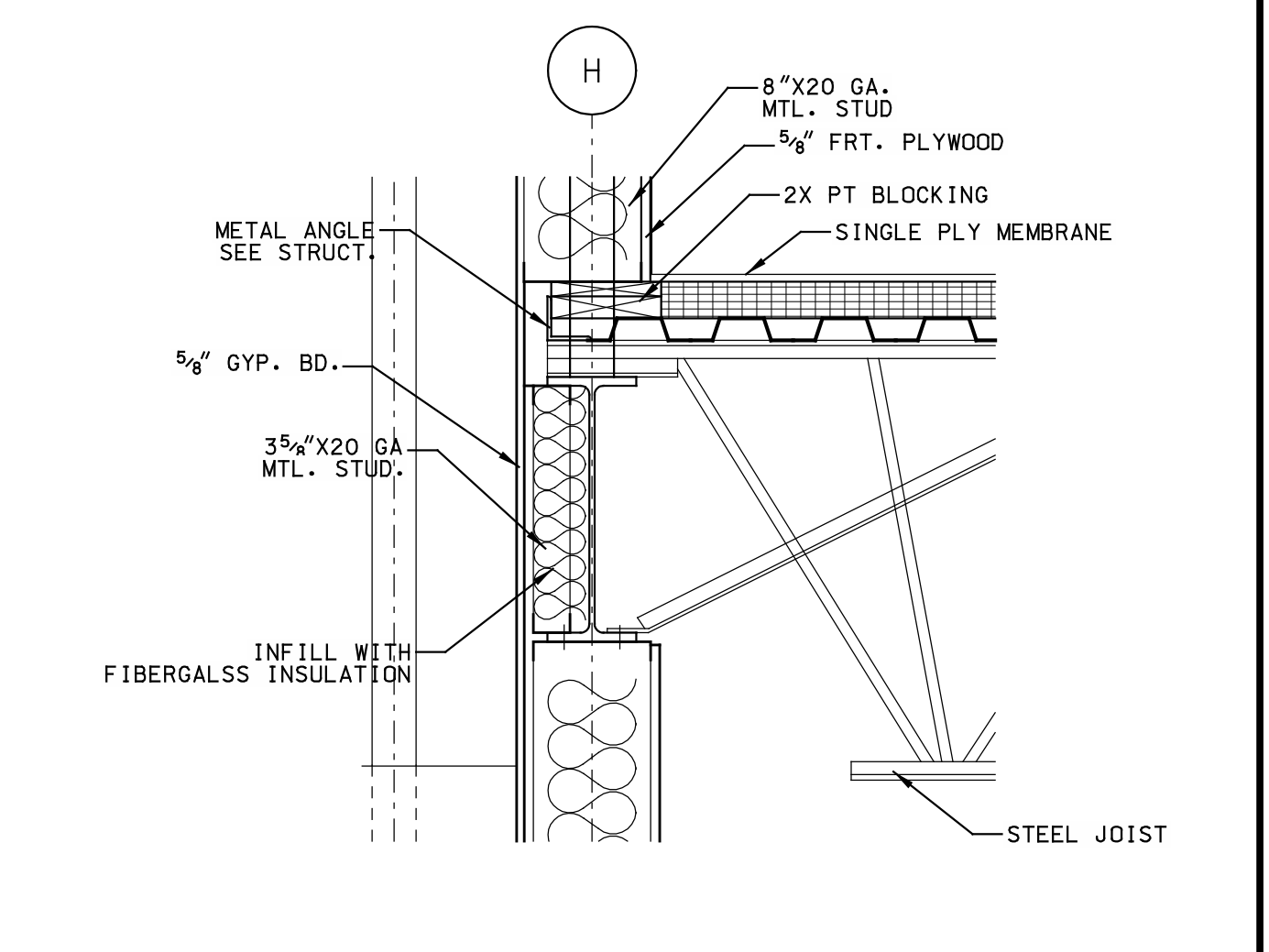
32 WALL DETAIL
A6 1"=1'-0"



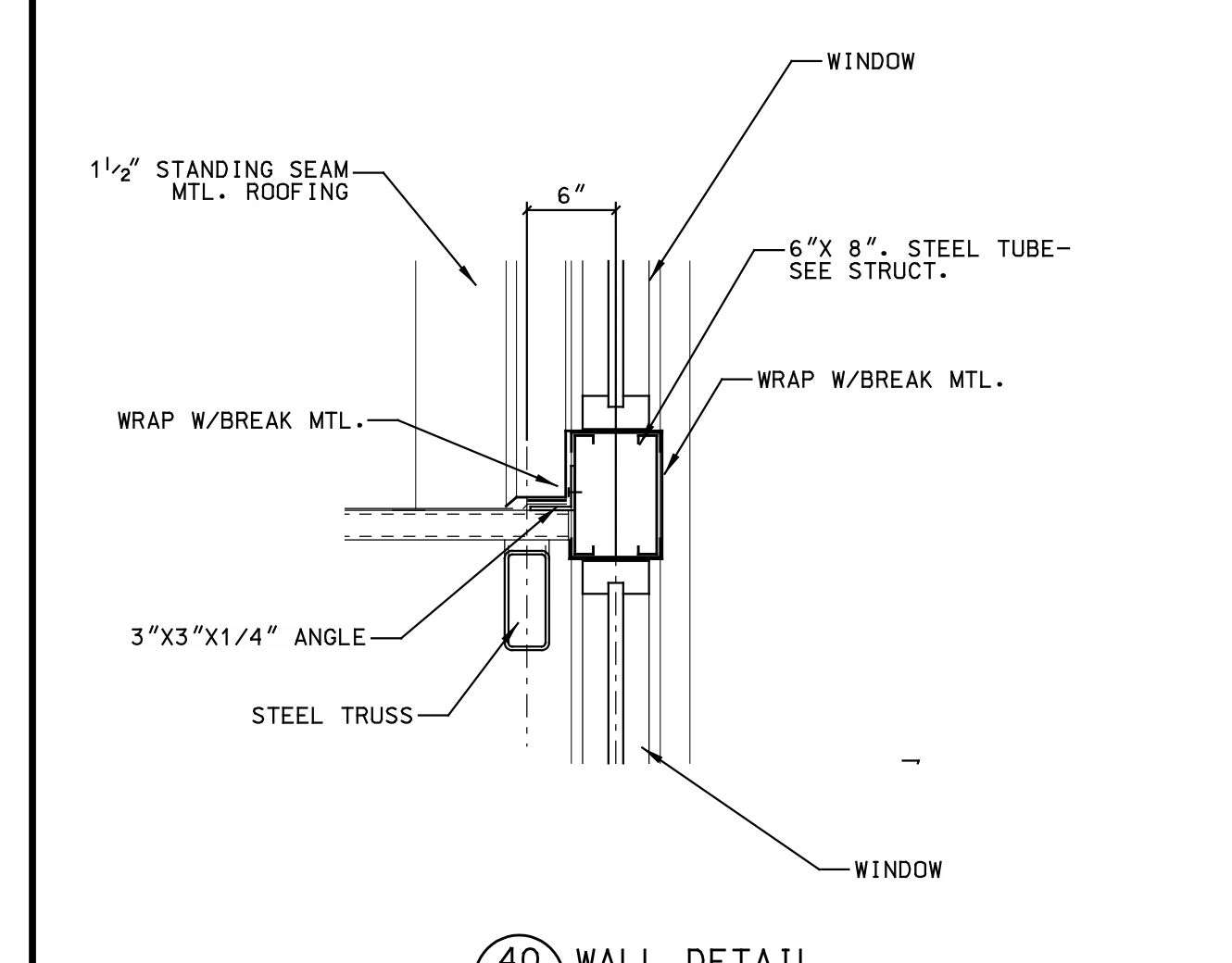
33 WALL DETAIL
A7 1"=1'-0"



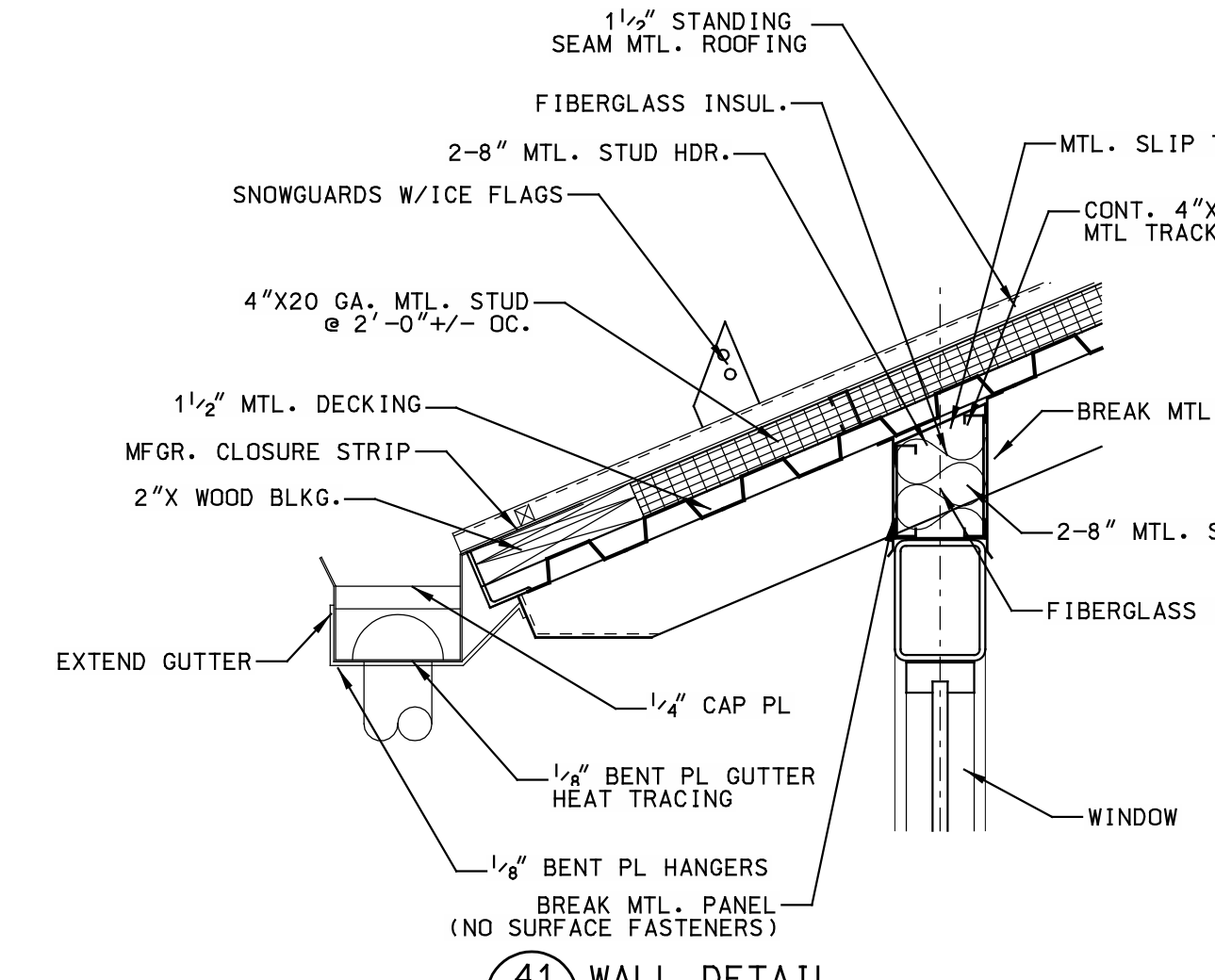
34 WALL DETAIL
A7 1"=1'-0"



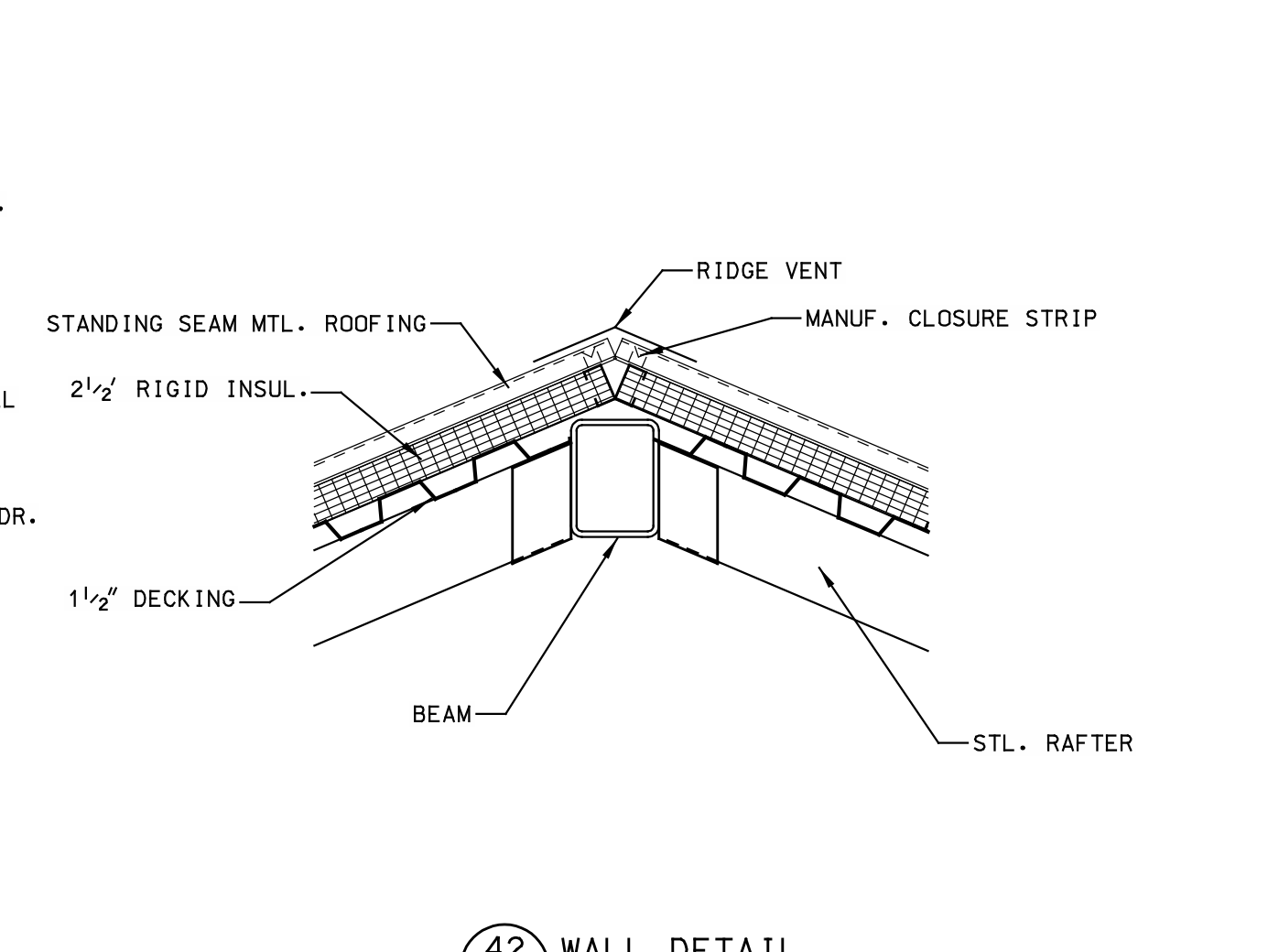
35 WALL DETAIL
A7 1"=1'-0"



40 WALL DETAIL
A7 1"=1'-0"



41 WALL DETAIL
A7 1"=1'-0"



42 WALL DETAIL
A7 1"=1'-0"

DATE	BY	DESCRIPTION

DATE	BY	DESCRIPTION

PROJECT TITLE
Hannaford
Riverside Street
Portland, Maine

SHEET TITLE
Wall Section Details

DESIGN	1"=1'-0"	K. St. Pierre
DRAWN	K. St. Pierre	
CHECKED	Digit	
PROJECT MGR	BCM	
DATE	AUGUST, 2004	
	© 2004 Hannaford Bros Co	