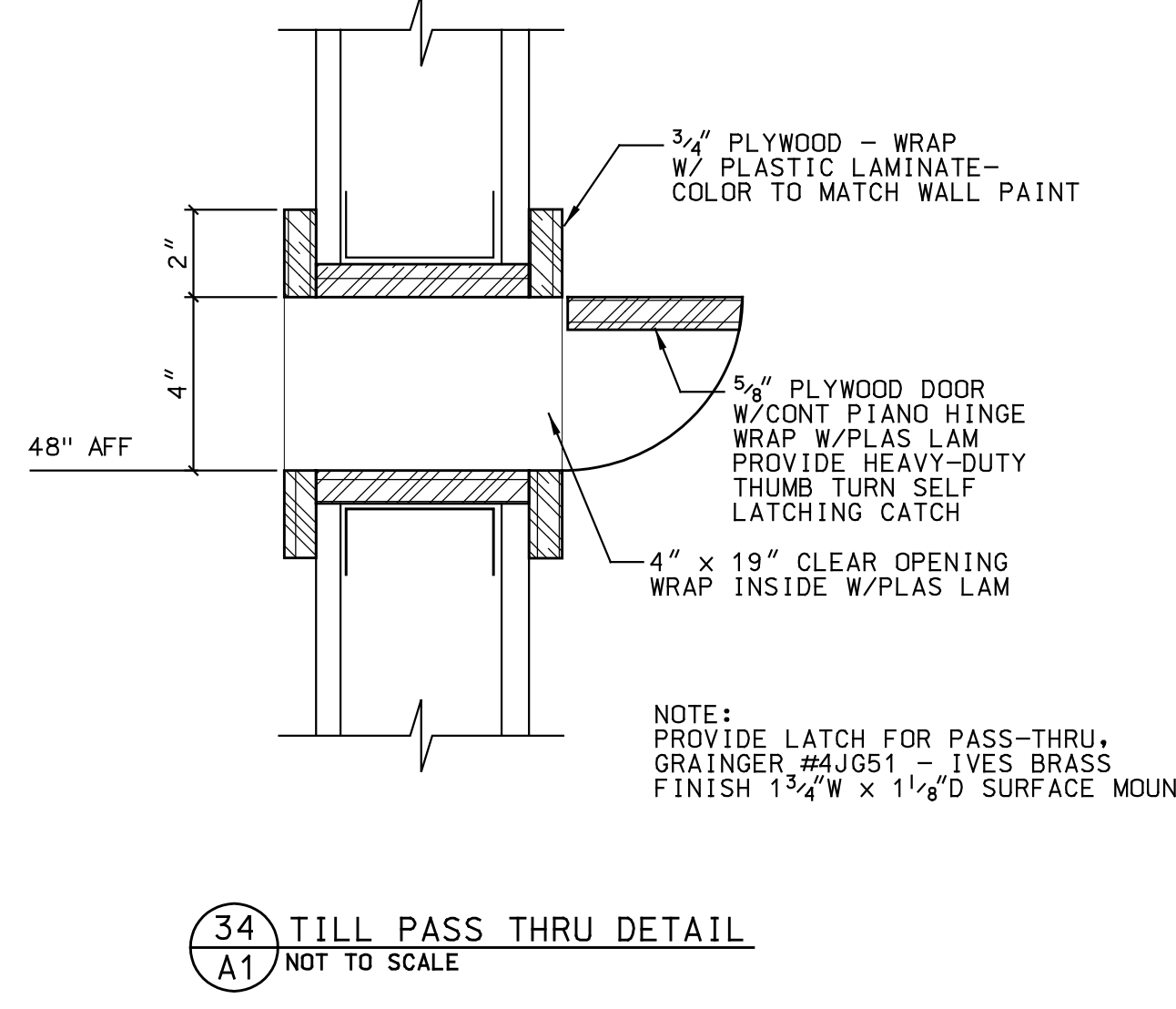
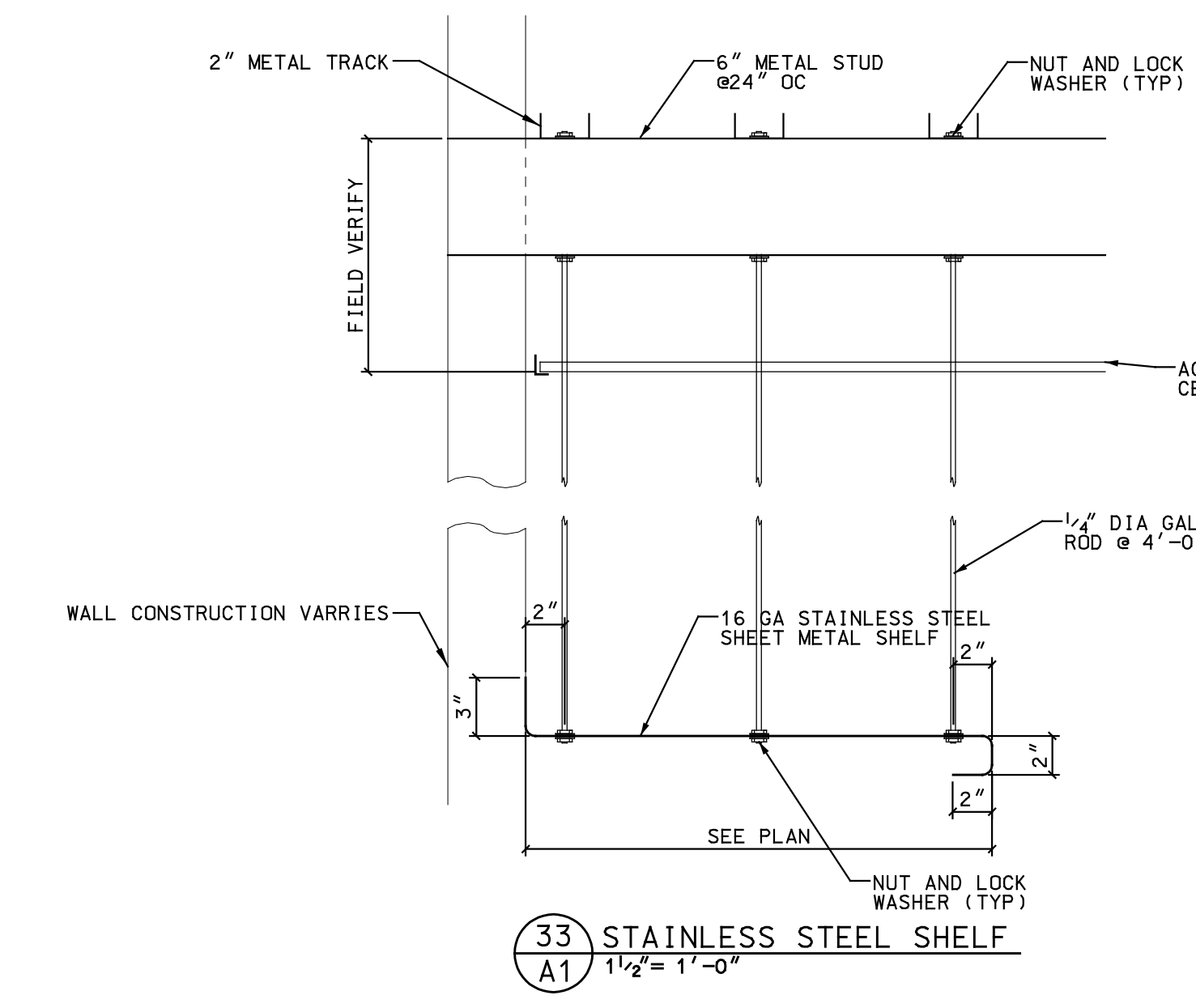
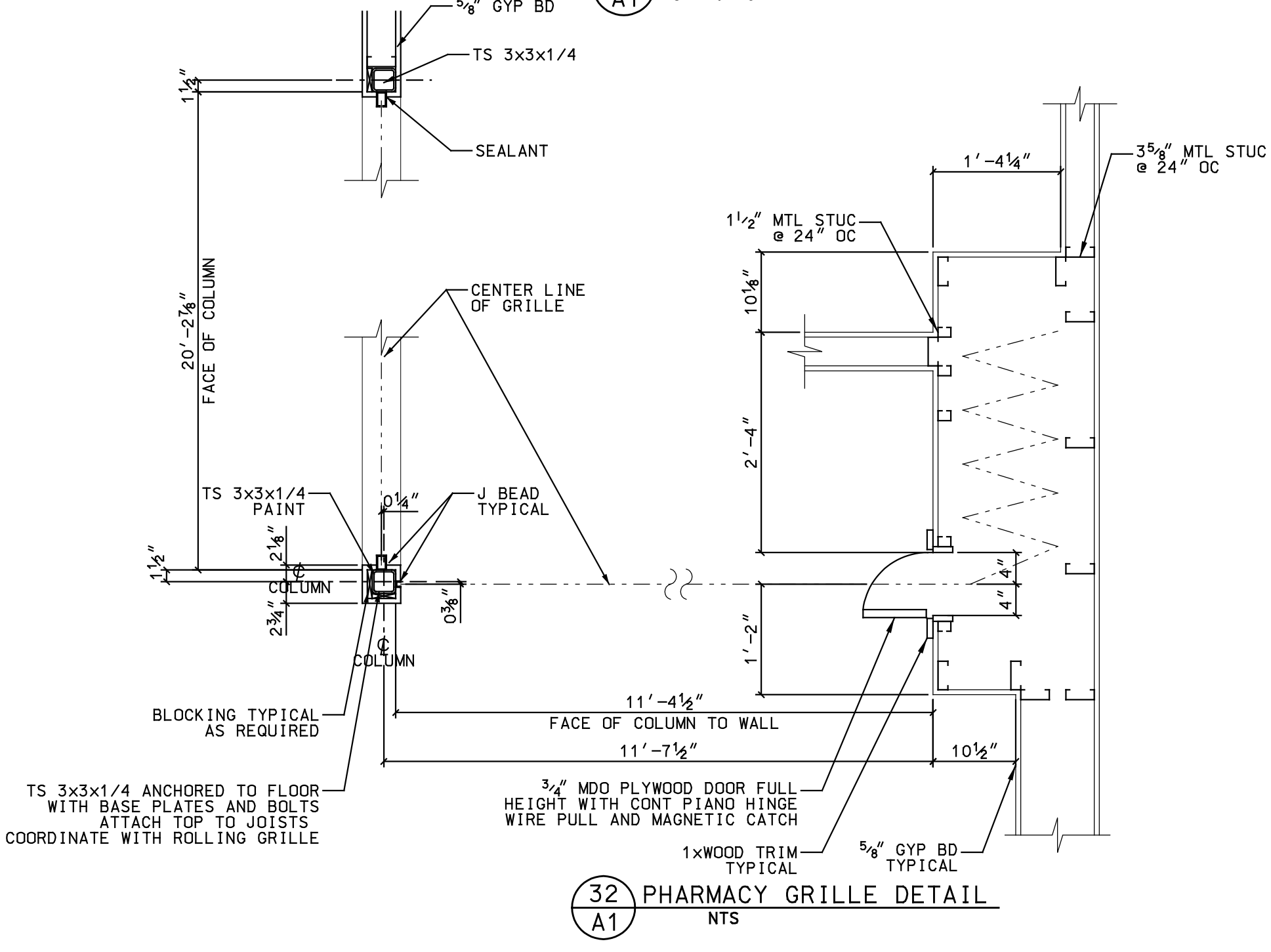
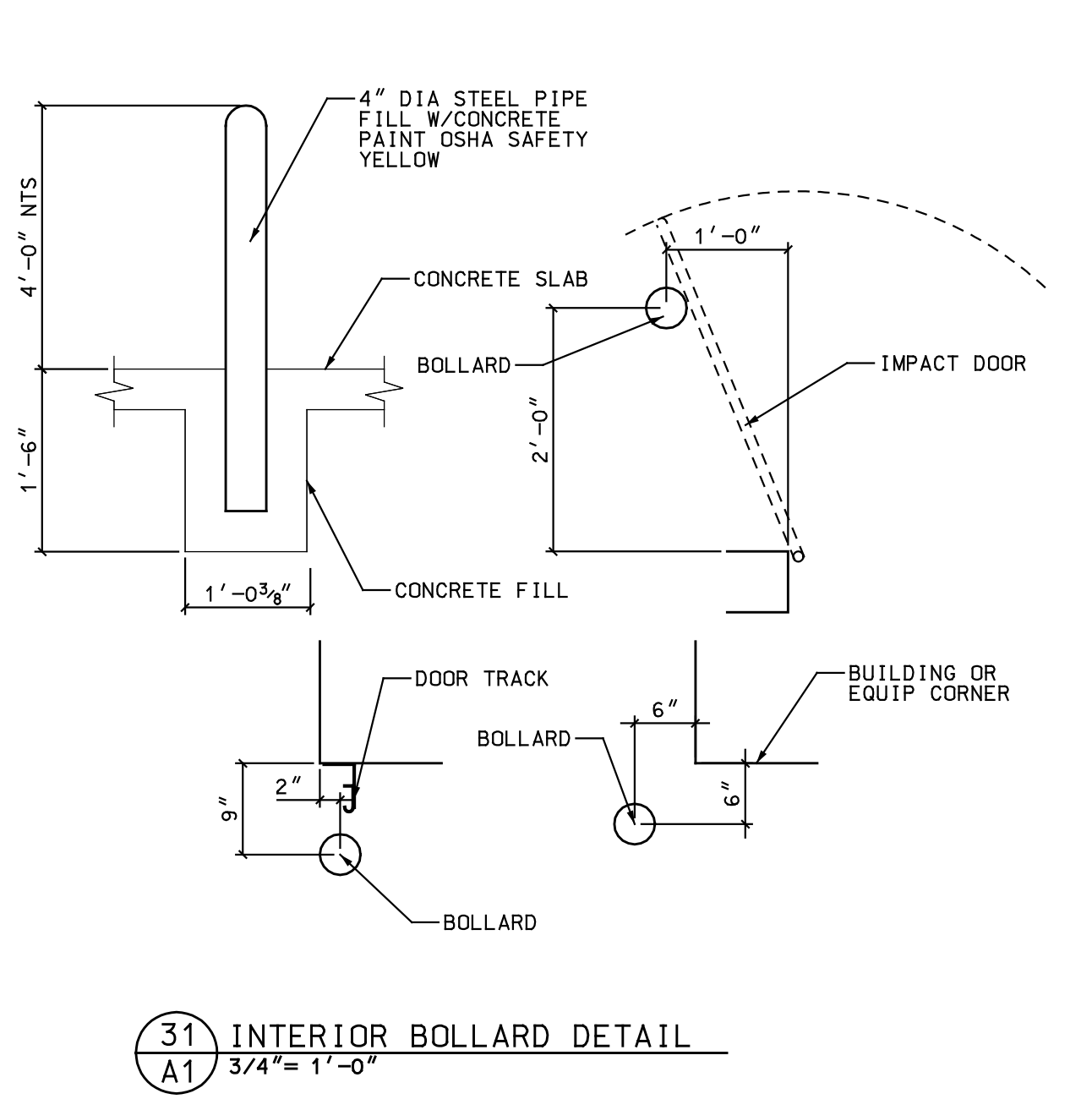
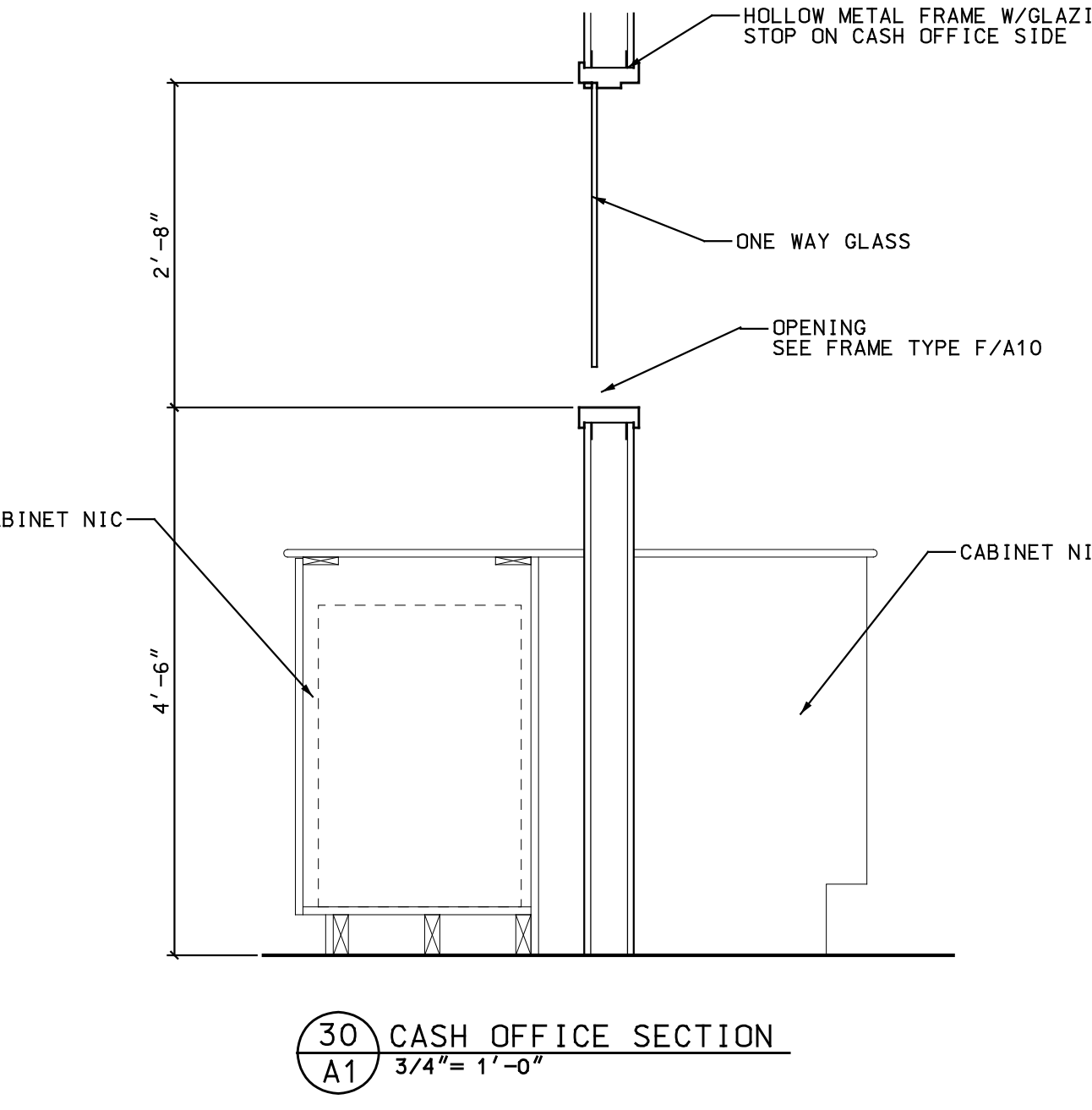
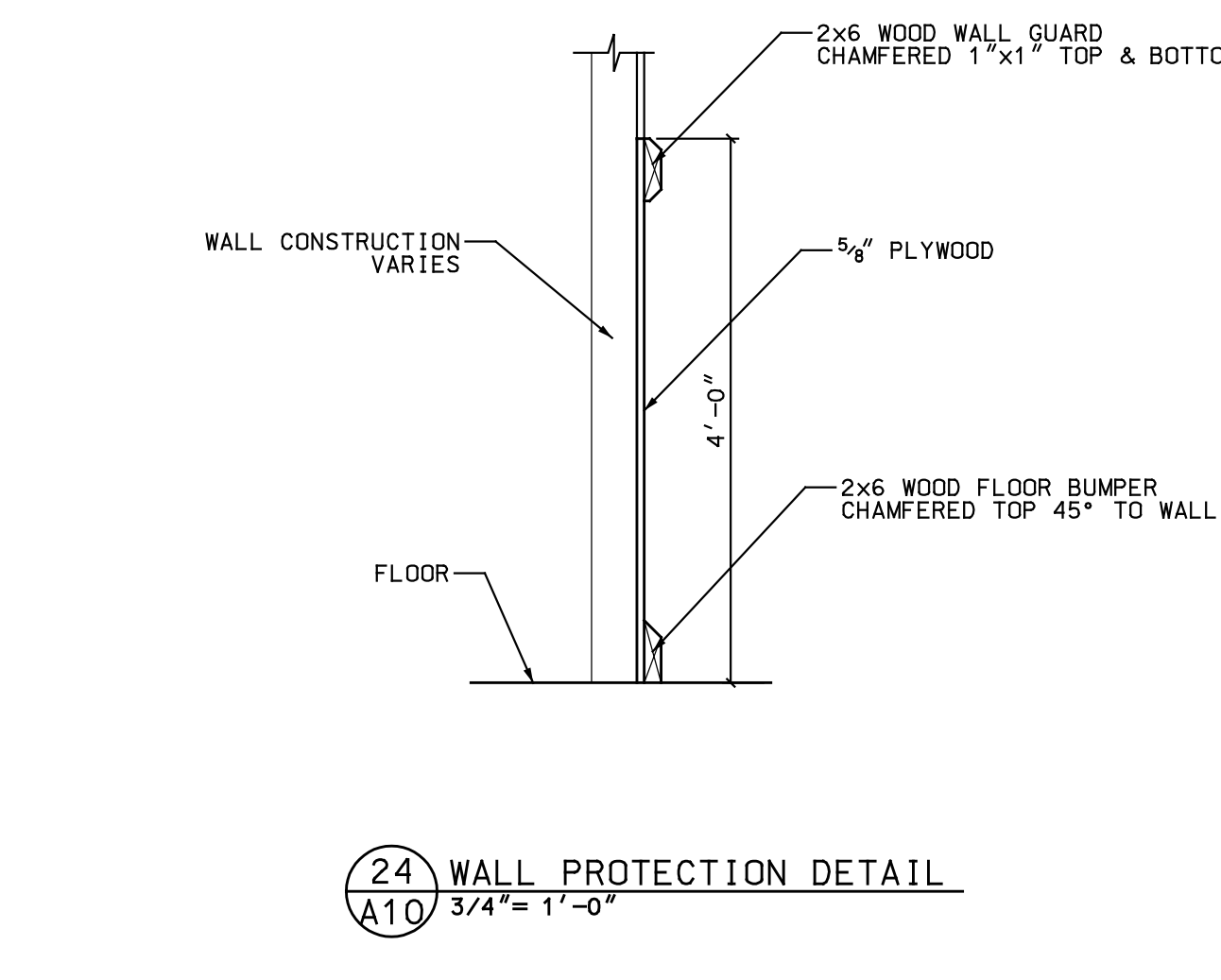
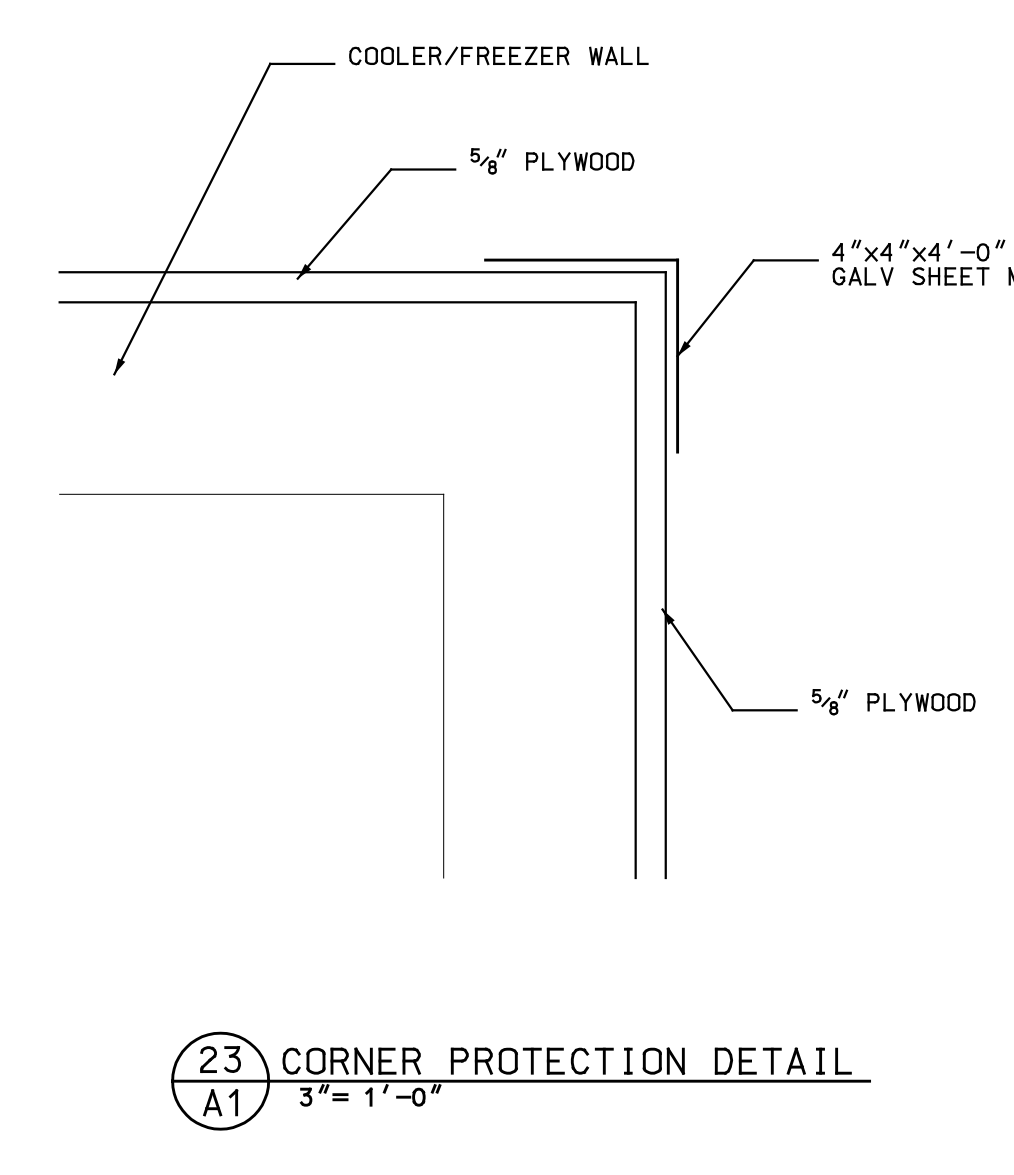
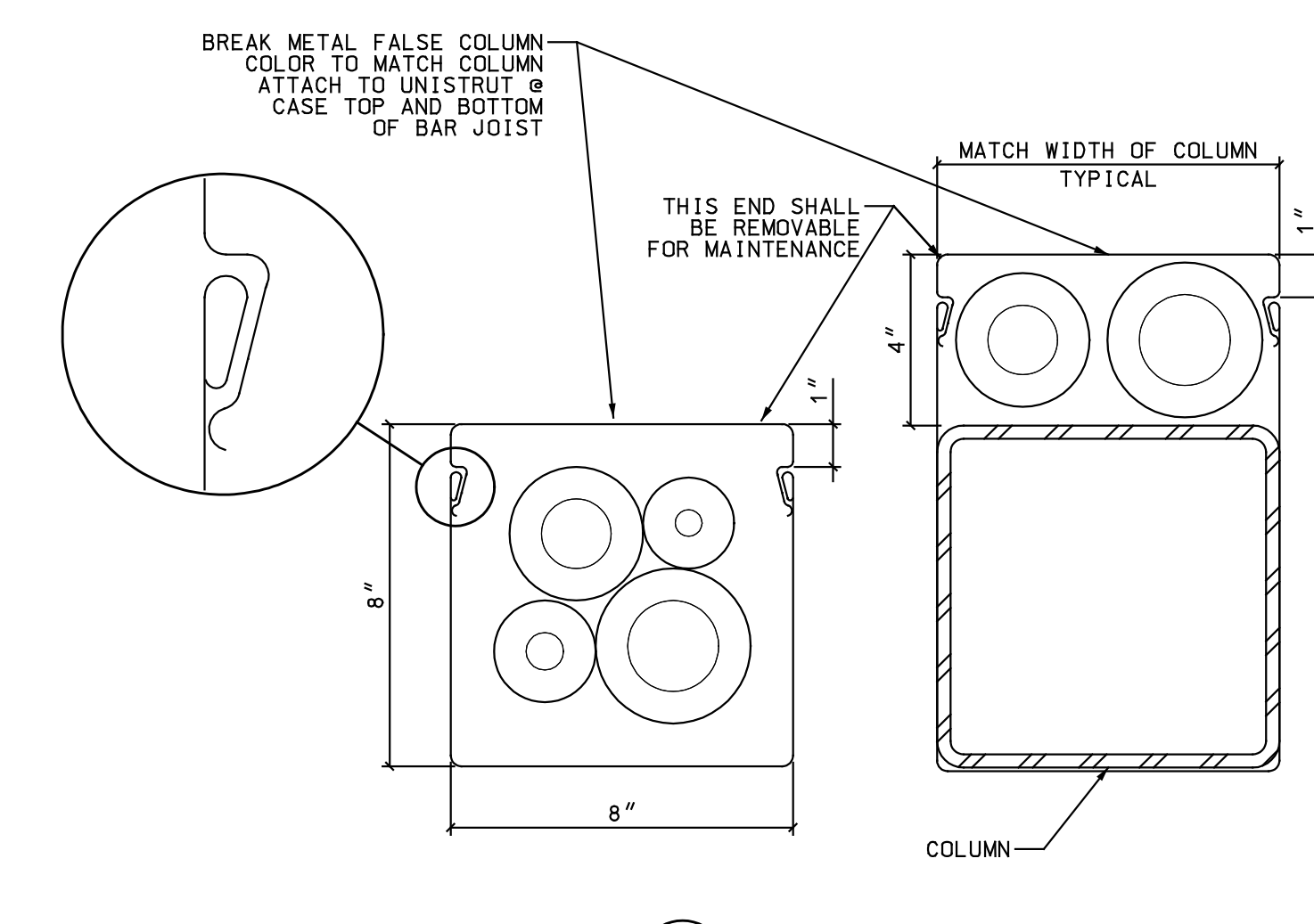
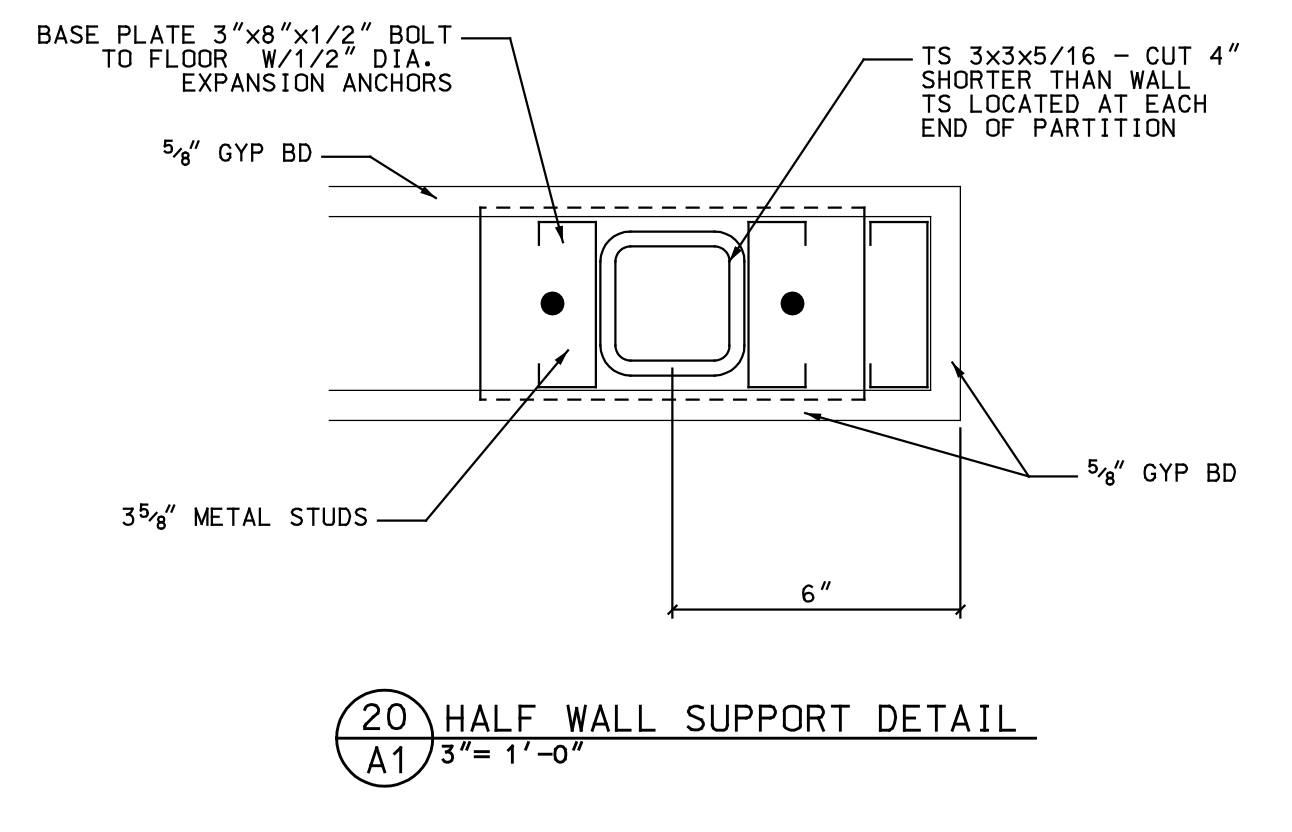
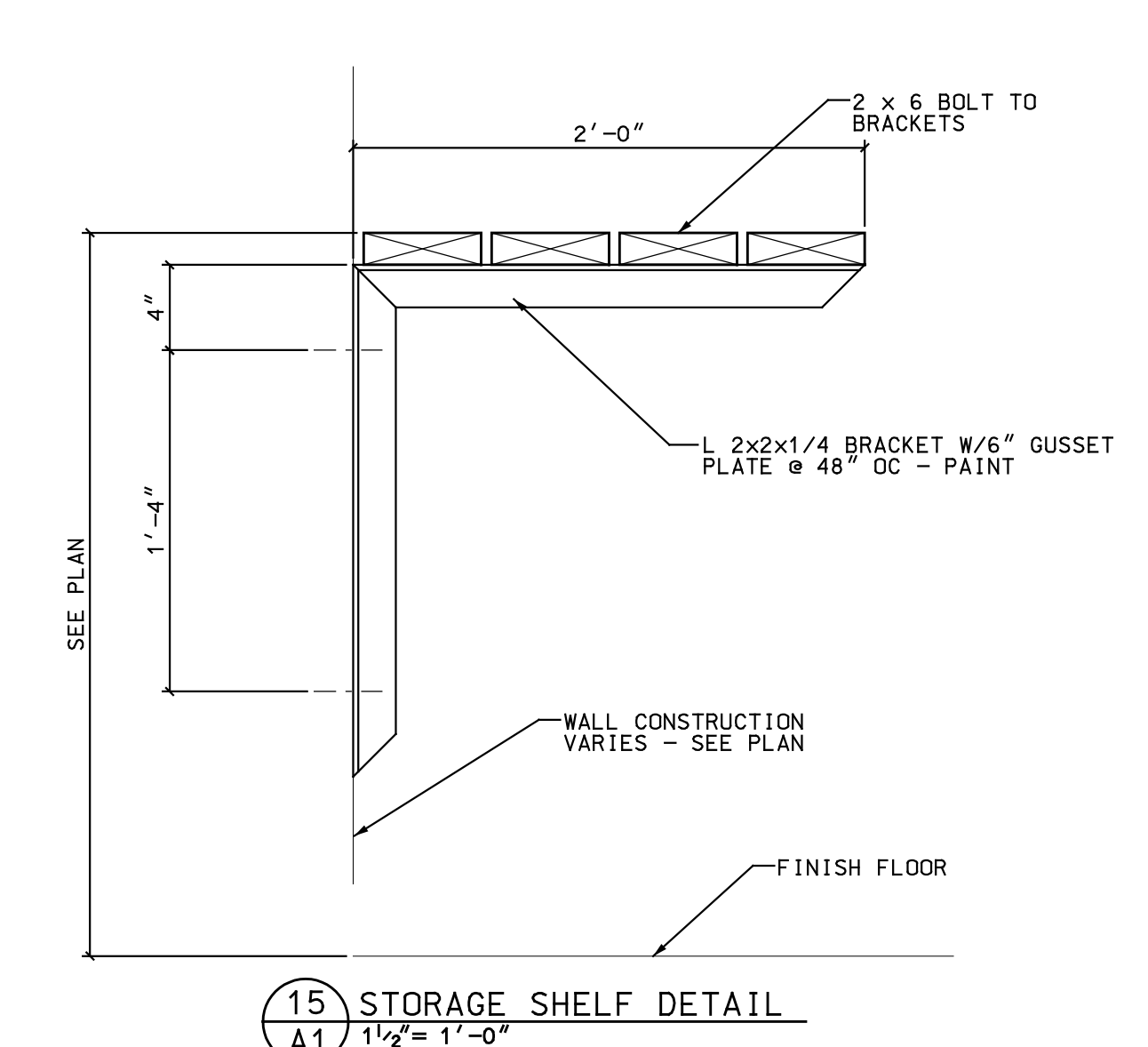
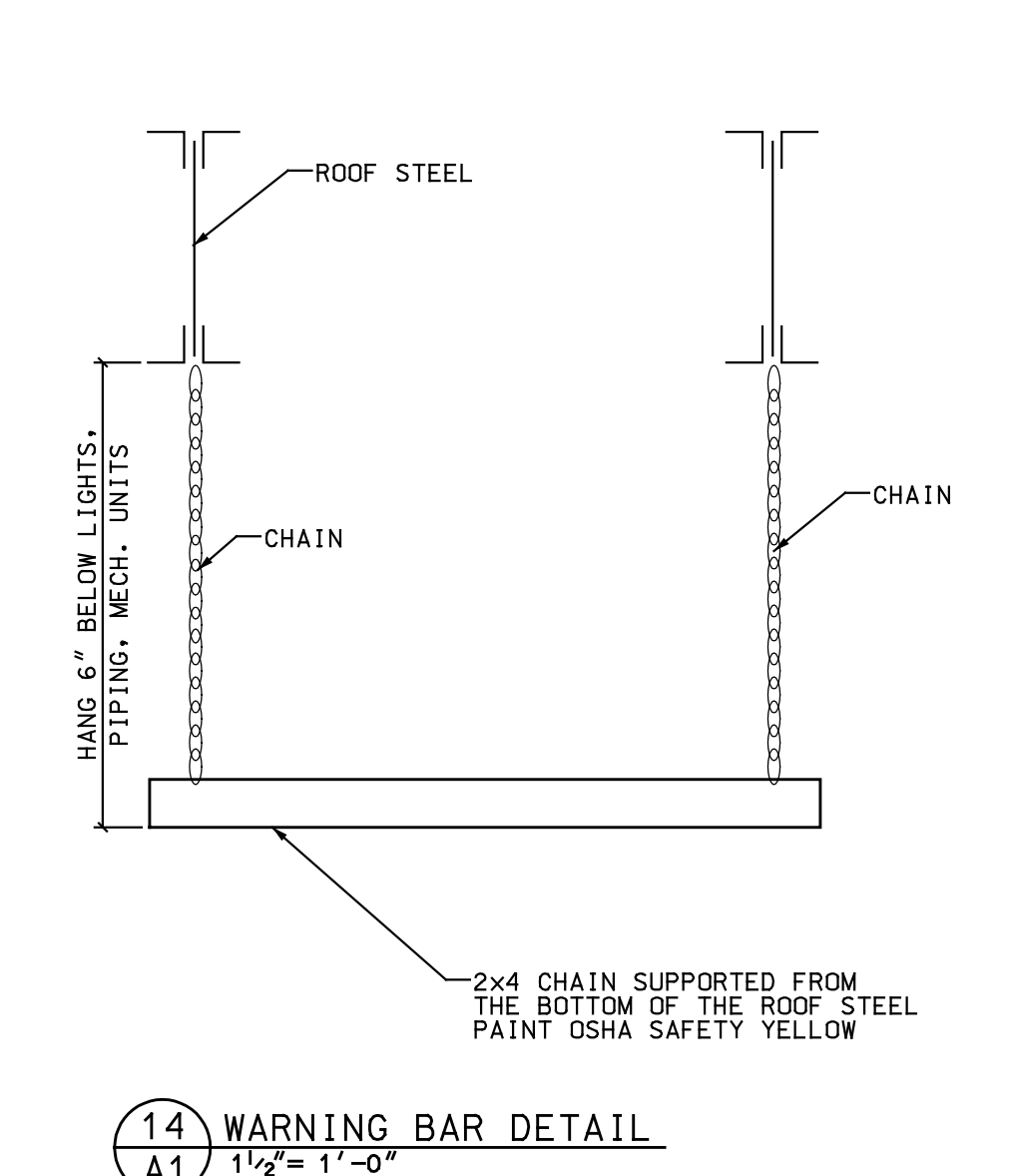
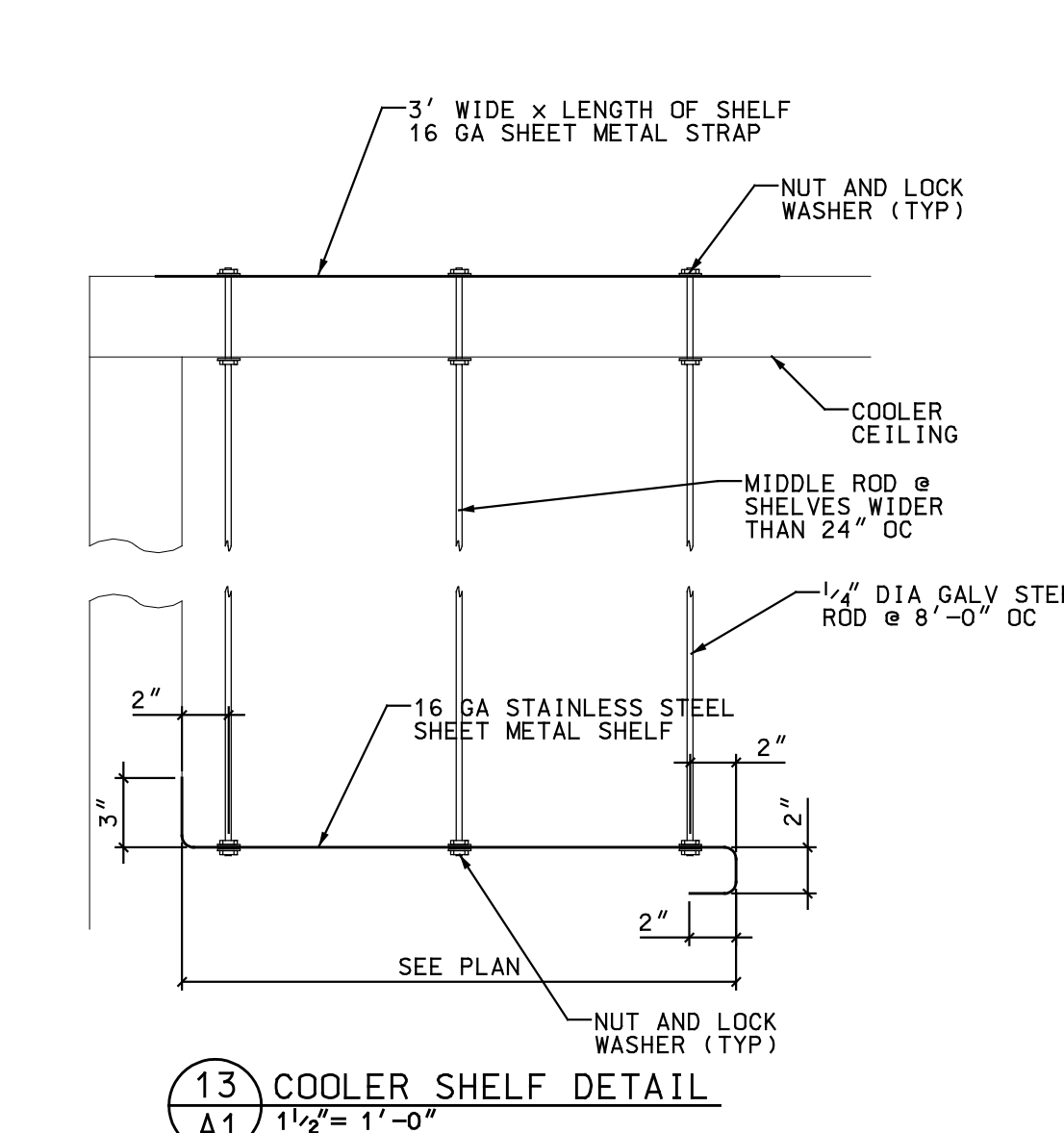
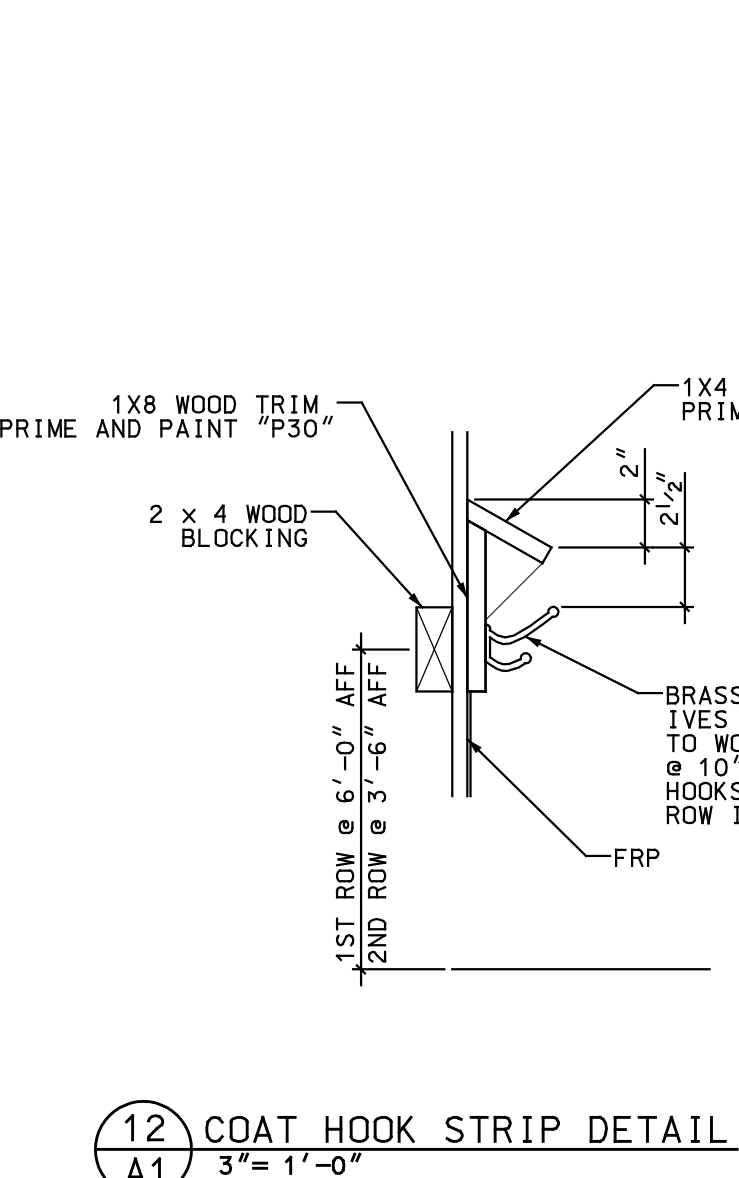
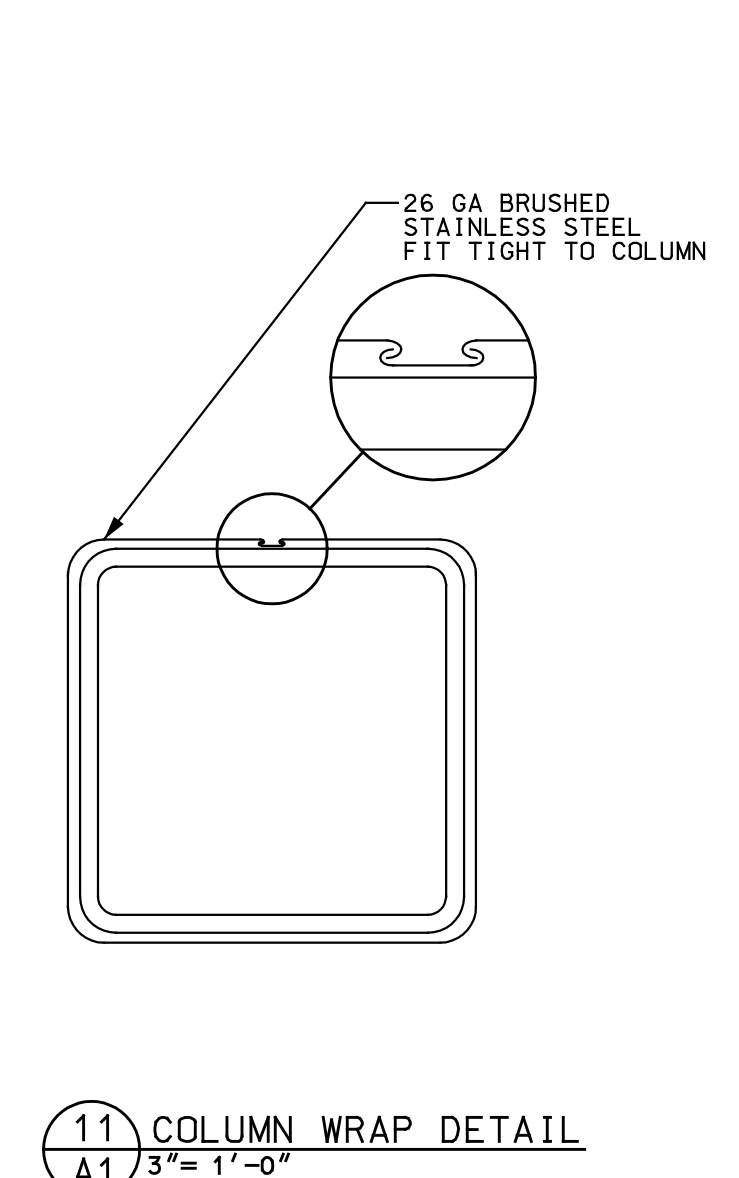
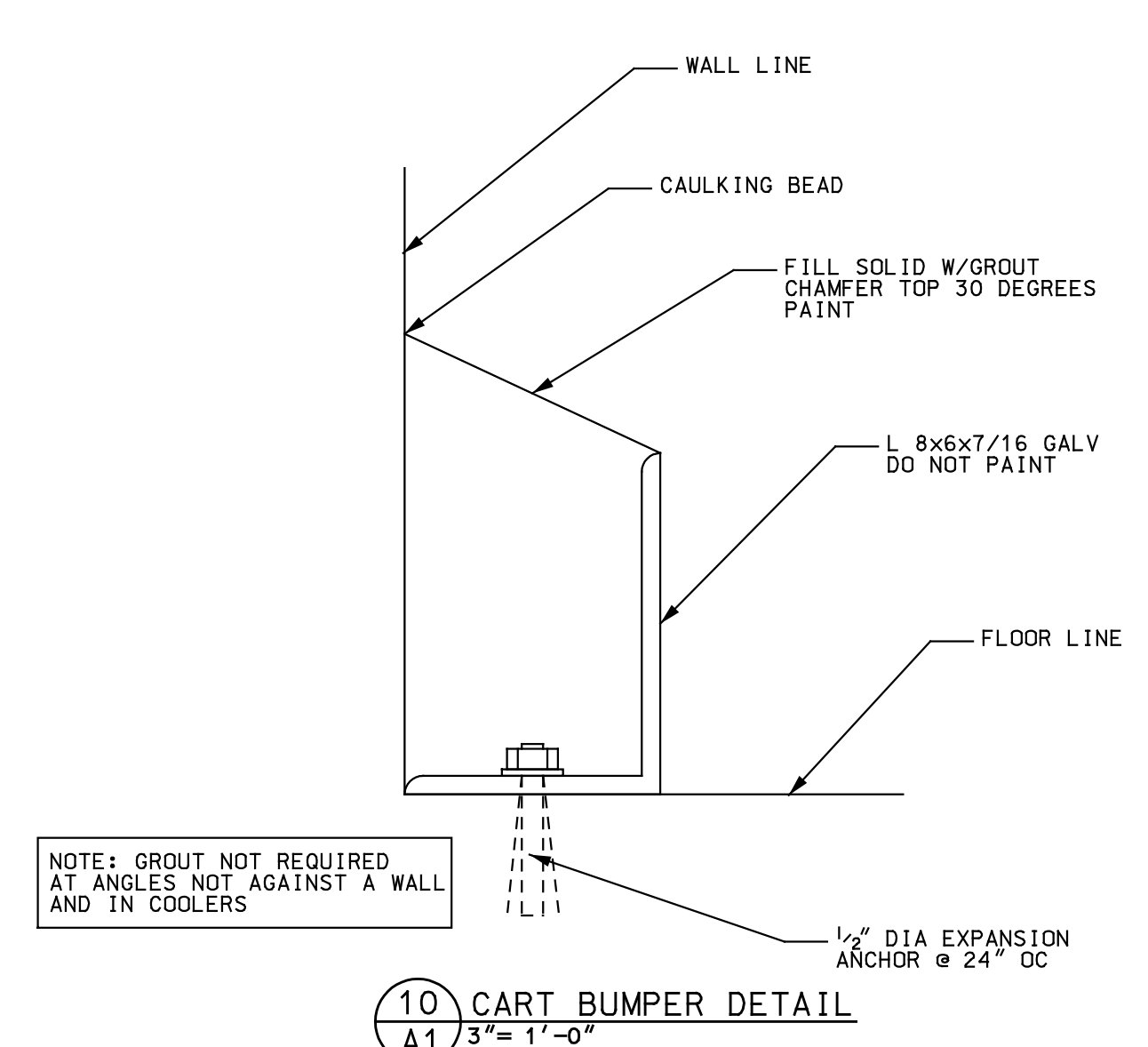


08/11/2004 09:11:42 AM



DATE	BY	DESCRIPTION

DATE	BY	DESCRIPTION

**PROJECT TITLE**  
 Hannaford  
 Riverside Street  
 Portland, Maine

**SHEET TITLE**  
 MISC. ARCHITECTURAL  
 DETAILS

DESIGN	11/07/04	K ST PIERRE
DRAWN		K ST PIERRE
CHECKED		
PROJECT MGR		
DATE	AUGUST, 2004	BCM
		© 2004 Hannaford Bros Co

**SHEET**  
**A11**  
 PROJECT NO. PRSSA