

REVISION  
10 MAY '16

PROJECT NAME

**foundation**  
BREWING COMPANY  
EXPANSION

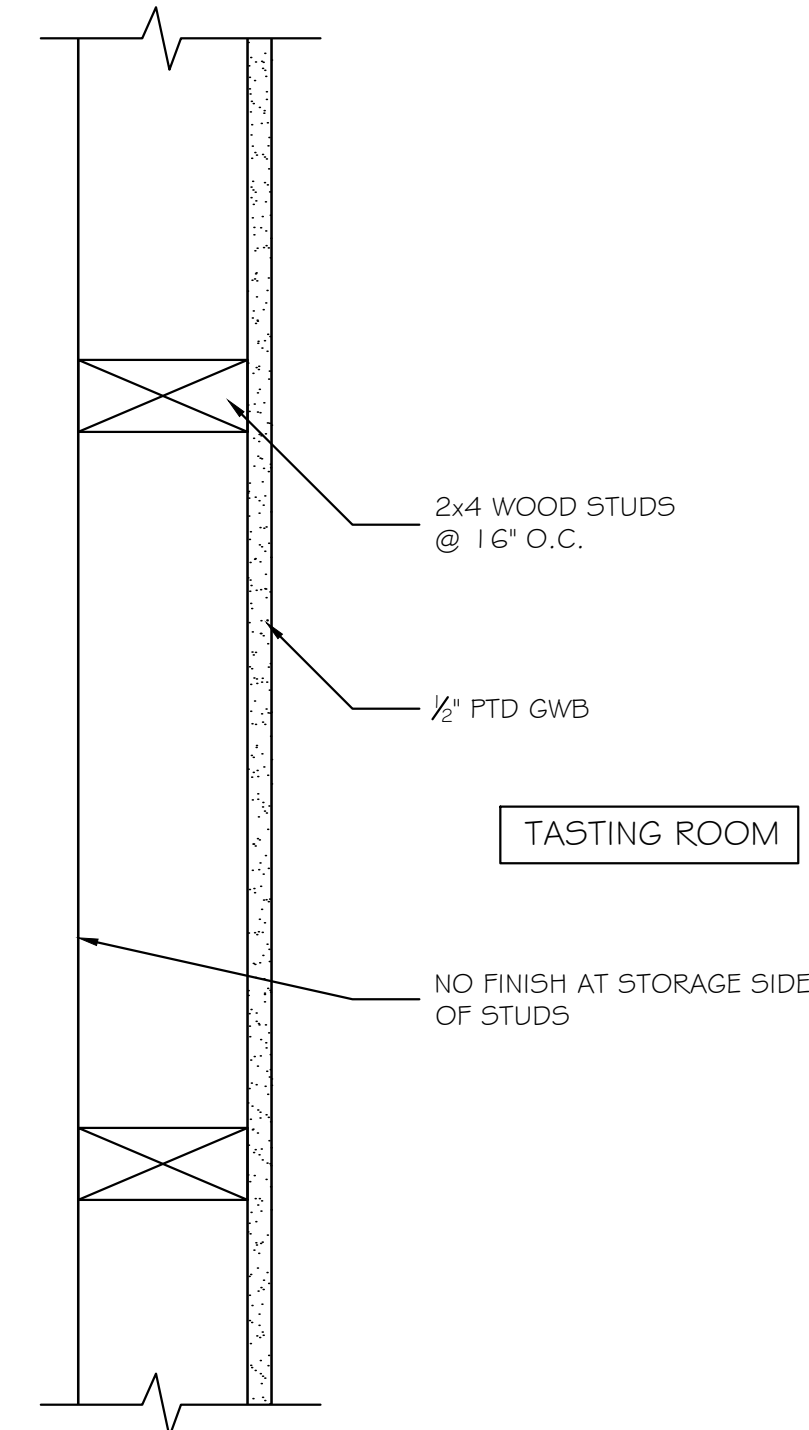
PORTLAND, MAINE 04103  
ONE INDUSTRIAL WAY

SHEET

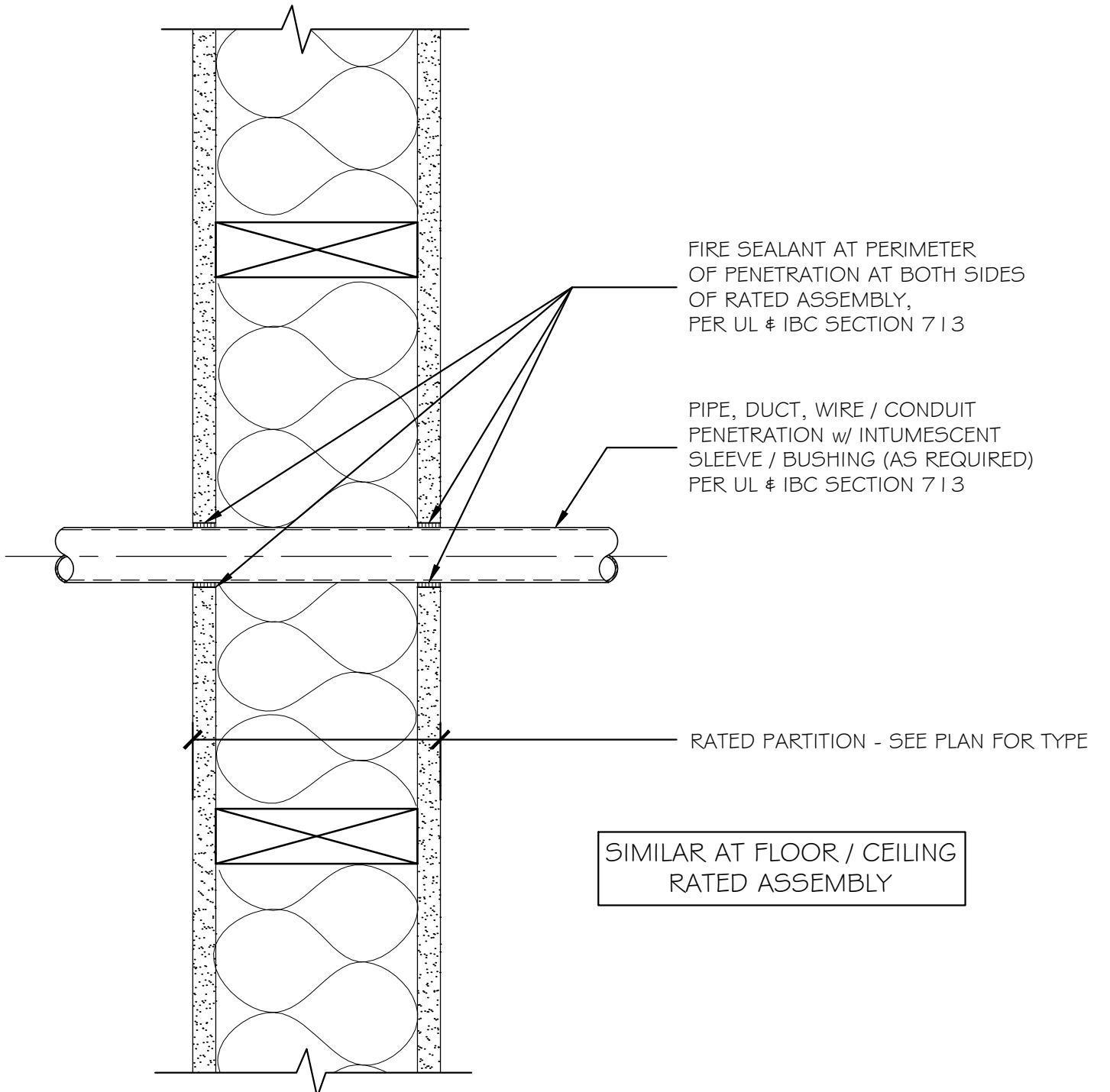
WET CORE  
PLAN &  
ELEVATION

DATE  
15 MAR '16  
SCALE  
AS NOTED  
DRAWN  
MFH/mgk  
JOB NO.  
160201

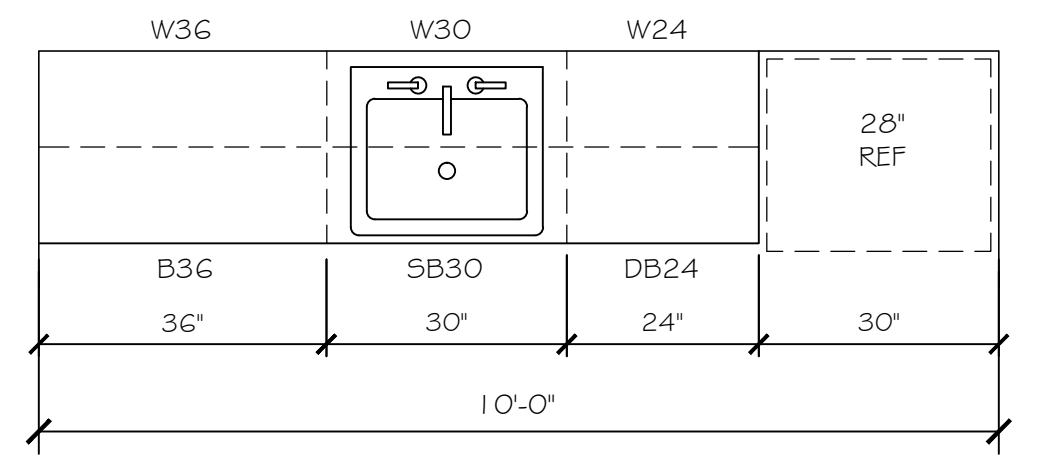
SHEET  
**A4**  
COPYRIGHT  
REPRODUCTION OR RELIANCE OF THIS  
DOCUMENT WITHOUT WRITTEN  
PERMISSION FROM GRANT HAYS  
ASSOCIATES IS PROHIBITED.



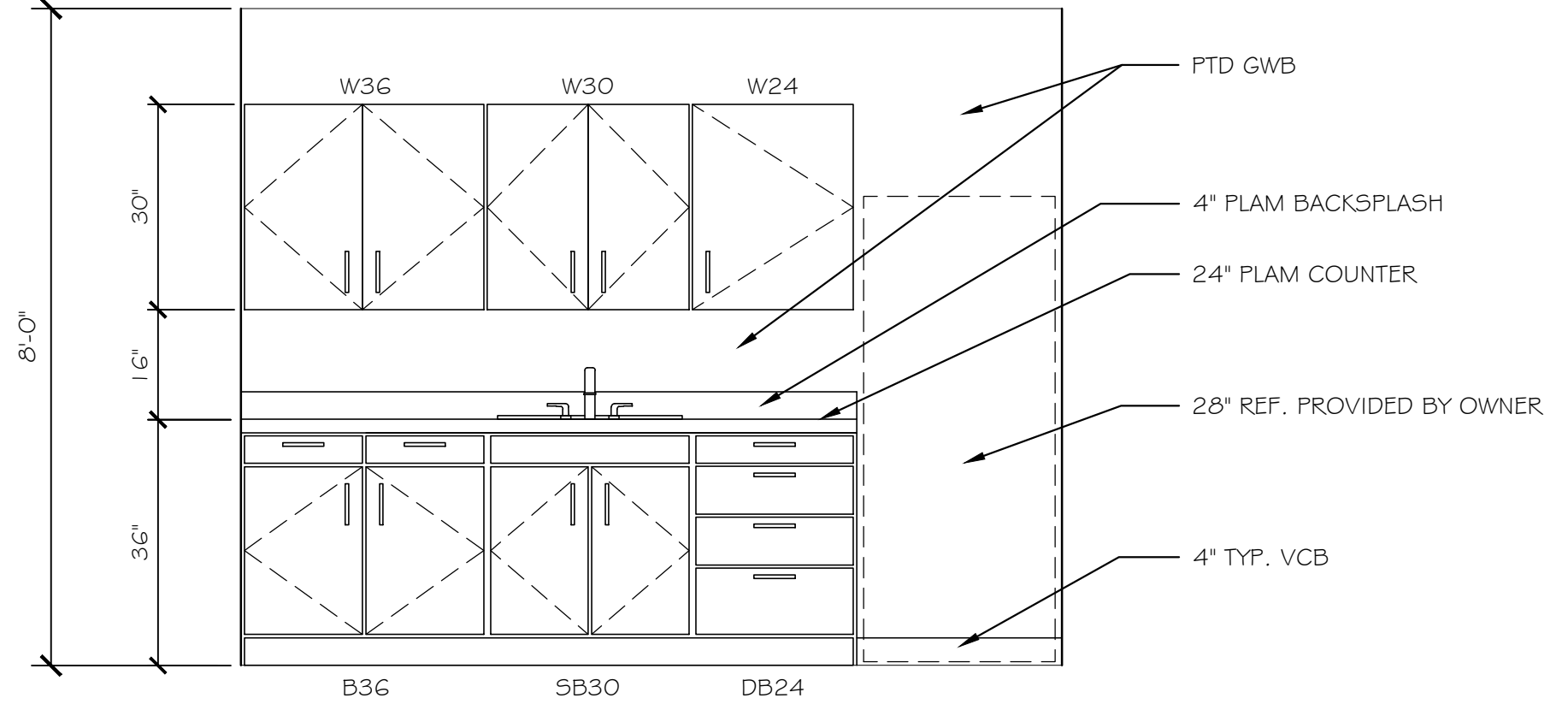
④ NON-RATED PARTITION 3" = 1'-0"



③ FIRESTOPPING DETAIL @ RATED ASSEMBLIES 3" = 1'-0"

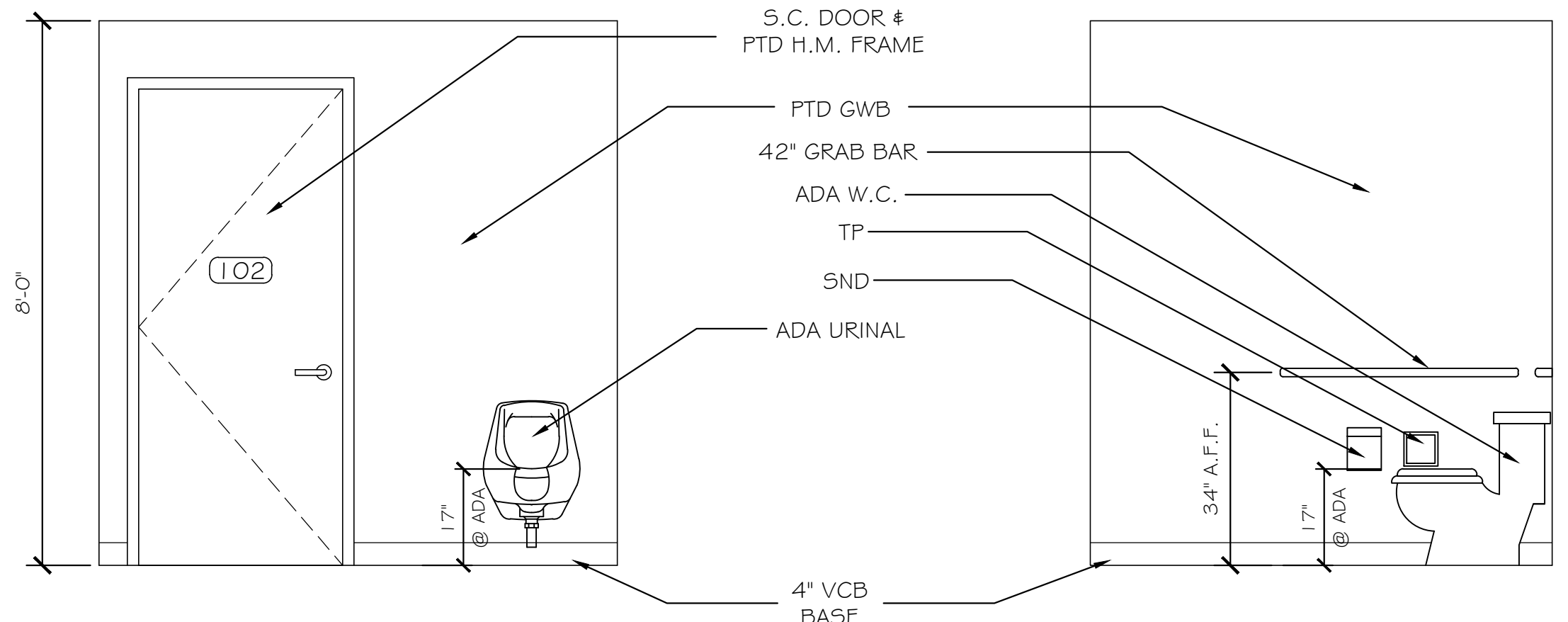


STAFF 101 PLAN  
SCALE: 1/2" = 1'-0"

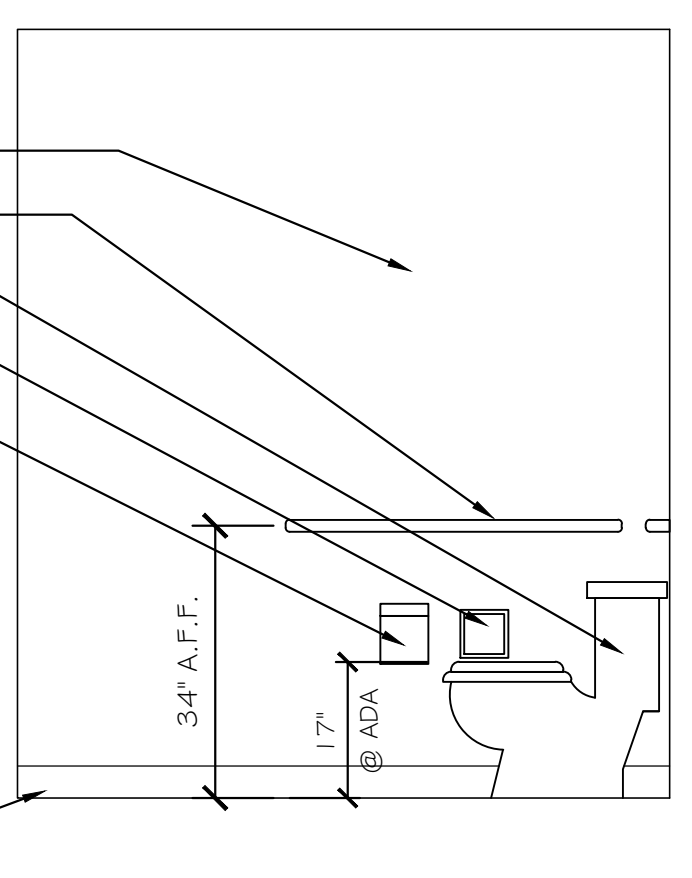


STAFF 101 ELEV.  
SCALE: 1/2" = 1'-0"

① STAFF 101 KITCHENETTE 3/8" = 1'-0"

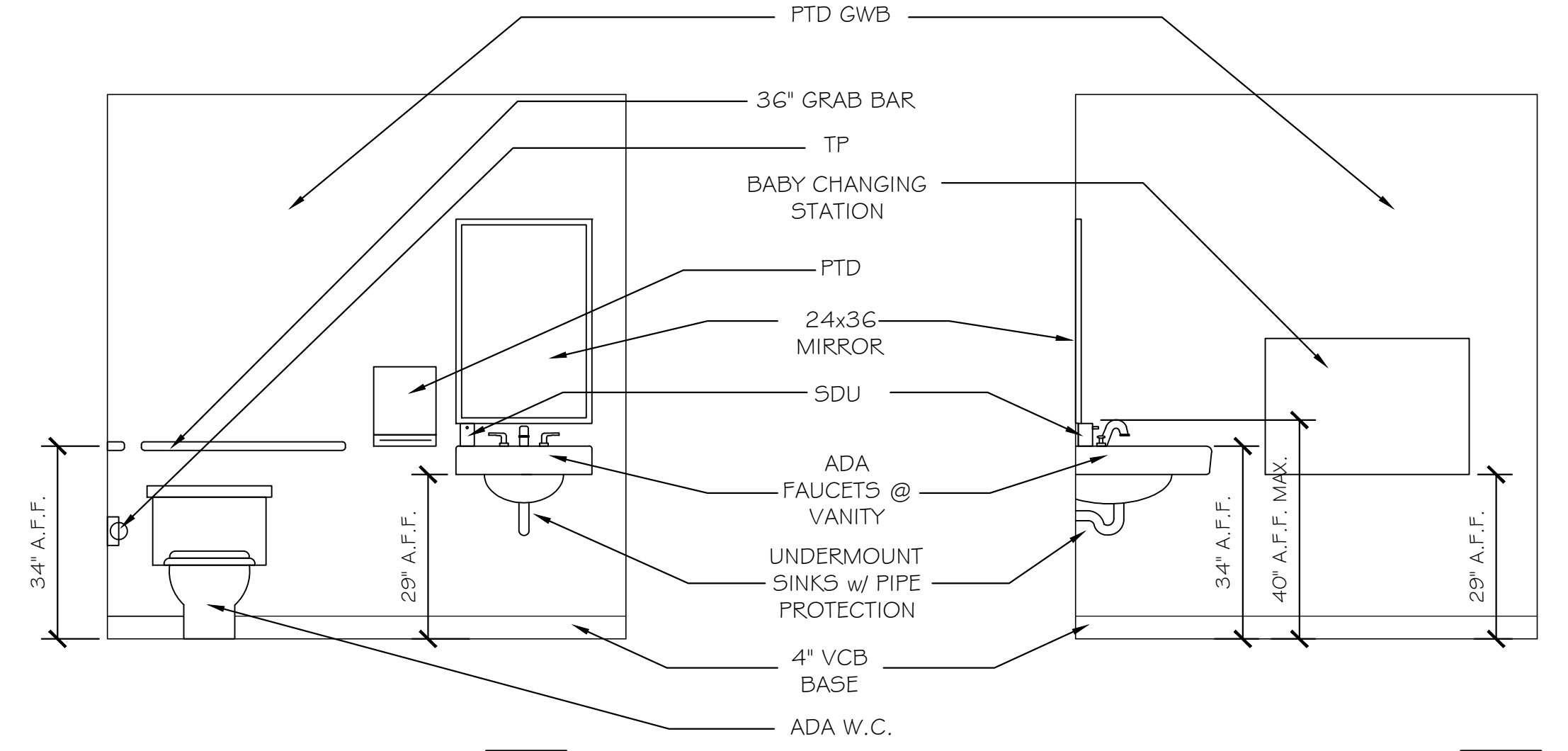


① UNISEX TOILET 103

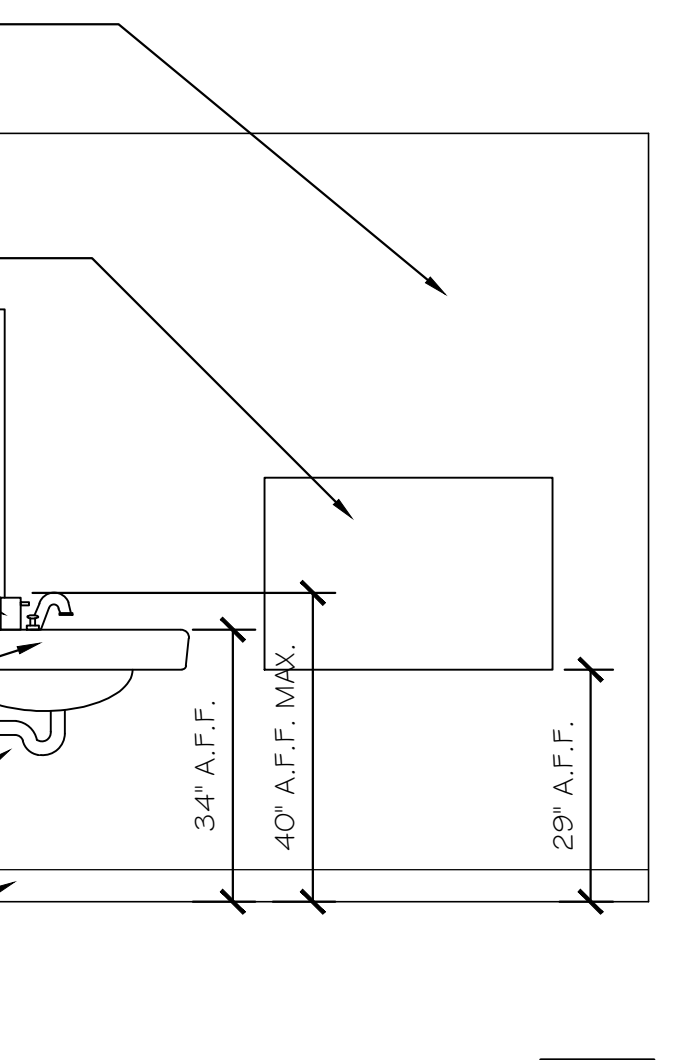


② UNISEX TOILET 103

NOTE: REFER TO SHEET A6 FOR ADA COMPLIANCE CRITERIA (NOTES & DIMENSIONS)

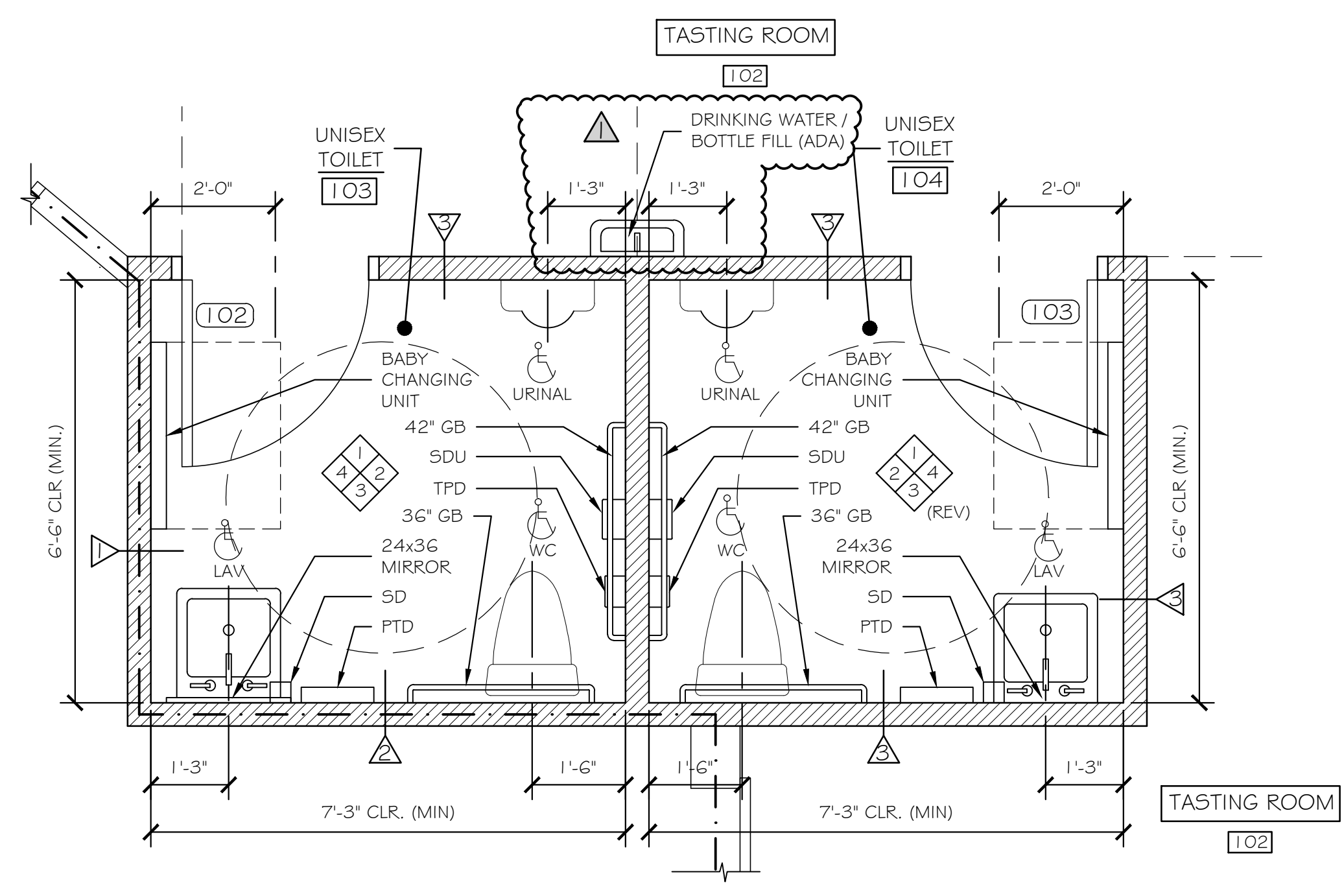


③ UNISEX TOILET 103



④ UNISEX TOILET 103

② UNISEX ACCESSIBLE TOILET ROOM 103 & 104 1/2" = 1'-0"



② UNISEX ADA TOILETS 103 & 104 PLAN  
SCALE: 1/2" = 1'-0"

PARTITION LEGEND	
TAG	DETAIL
	1 A5
	2 A5
	3 A5
	4 A5
	EXISTING
	NEW
	FIRE RATED - (E) / NEW