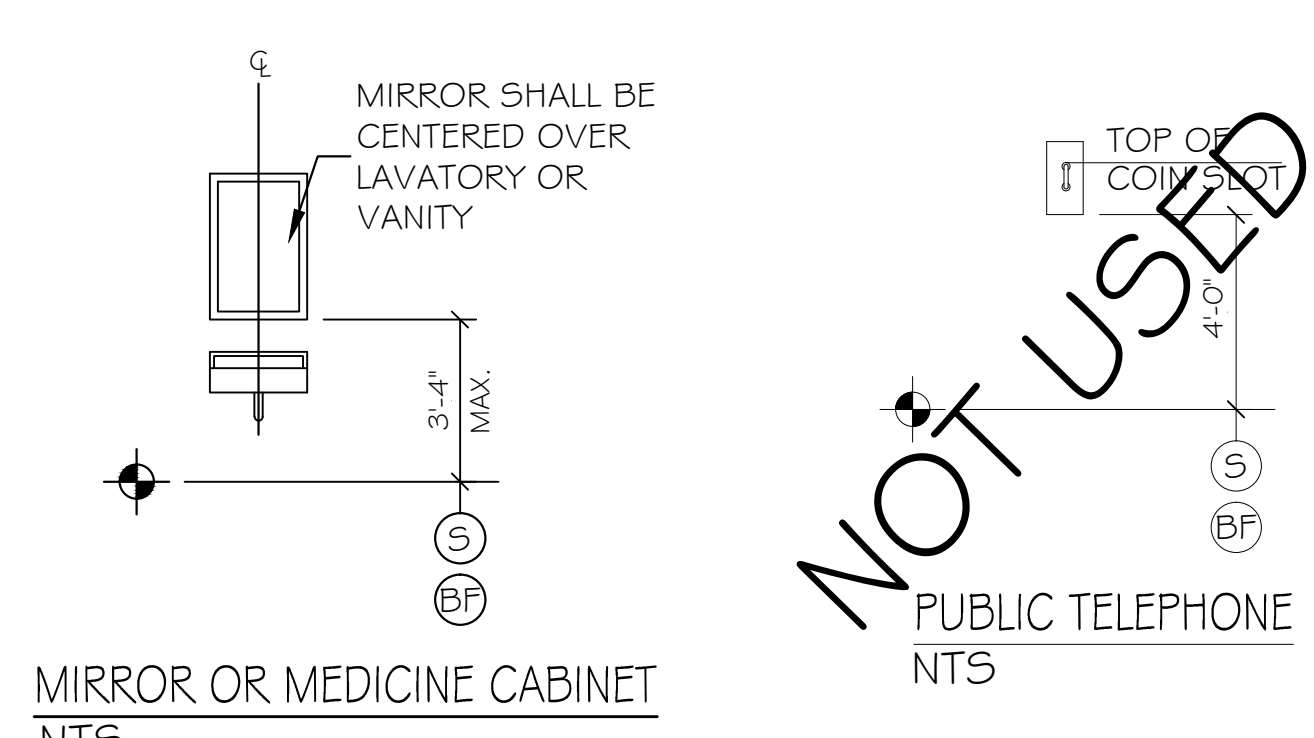
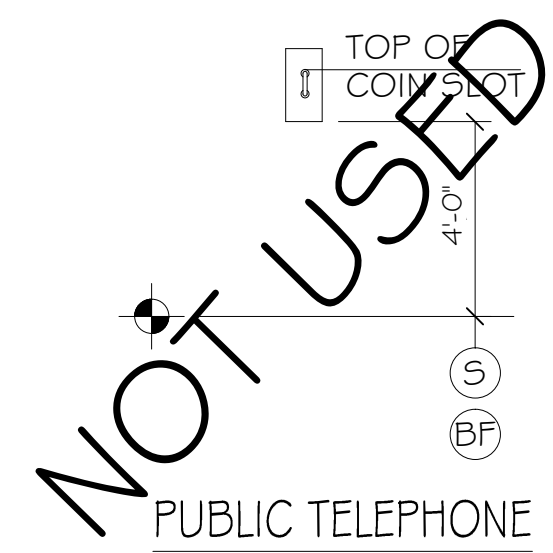


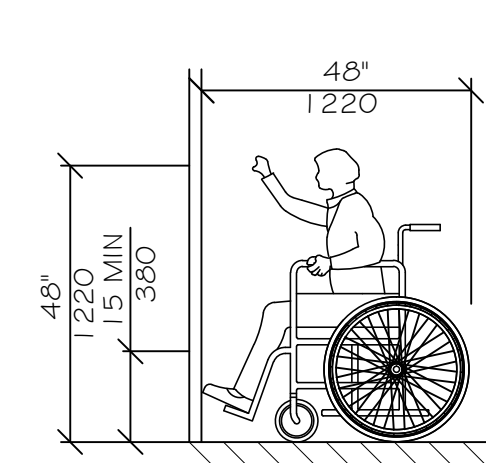
Michael F. Hays



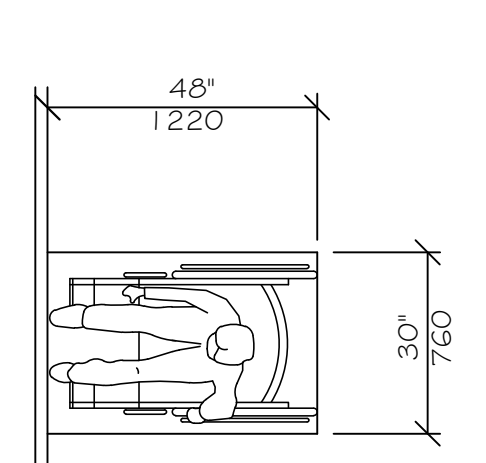
MIRROR OR MEDICINE CABINET NTS



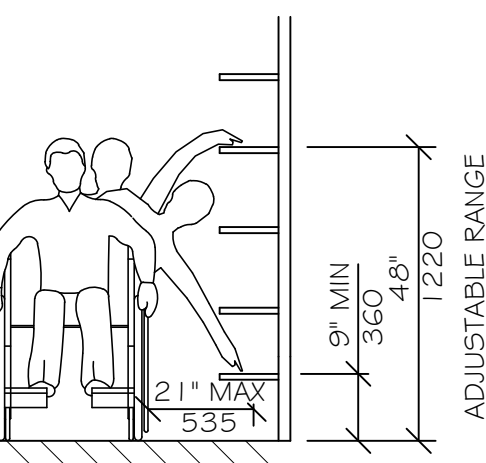
PUBLIC TELEPHONE NTS



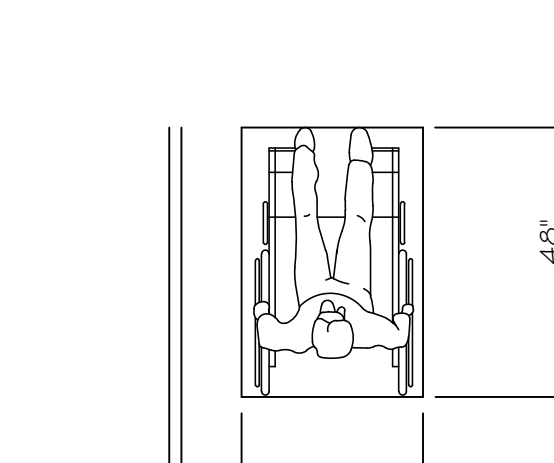
HIGH FORWARD REACH LIMIT NTS



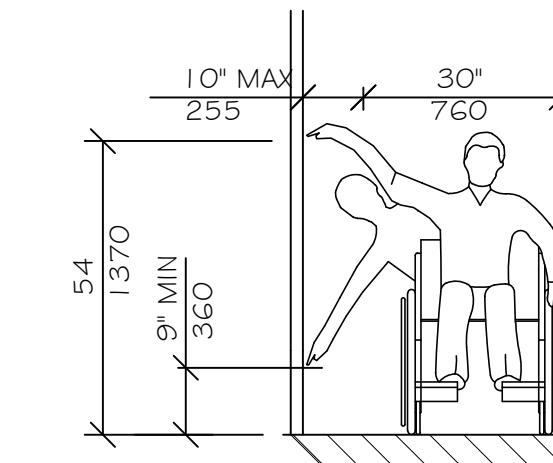
STORAGE SHELVES AND CLOSETS NTS



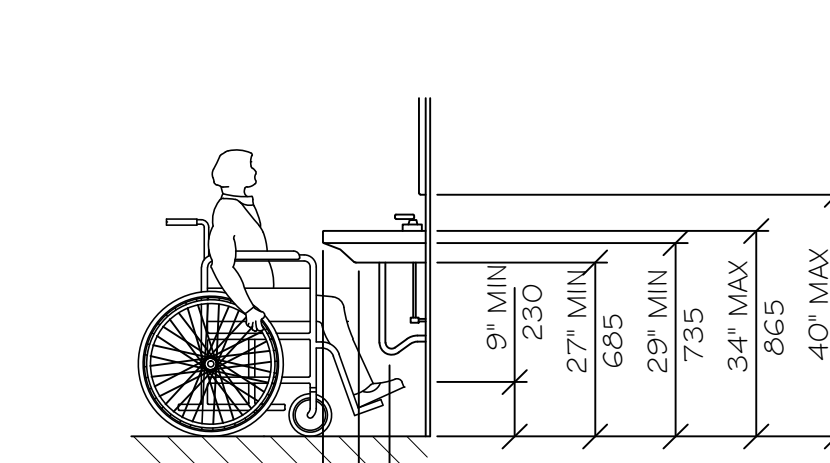
CLOSETS



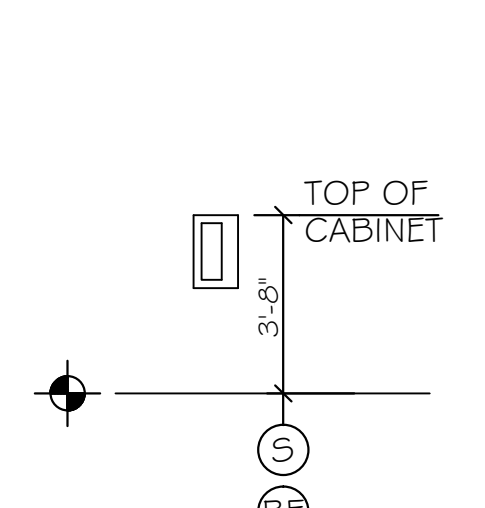
CLEAR FLOOR SPACE PARALLEL APPROACH NTS



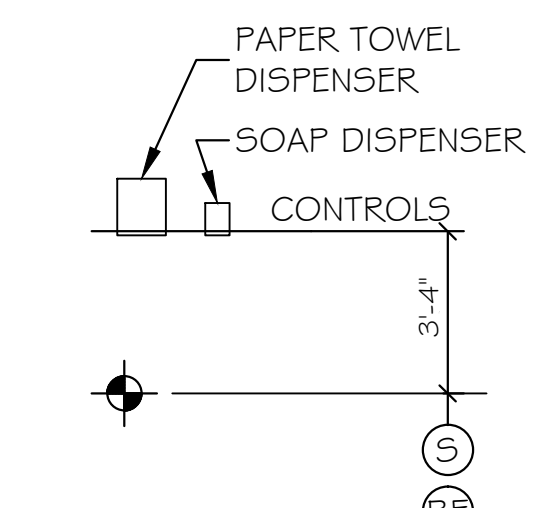
HIGH AND LOW SIDE REACH LIMITS NTS



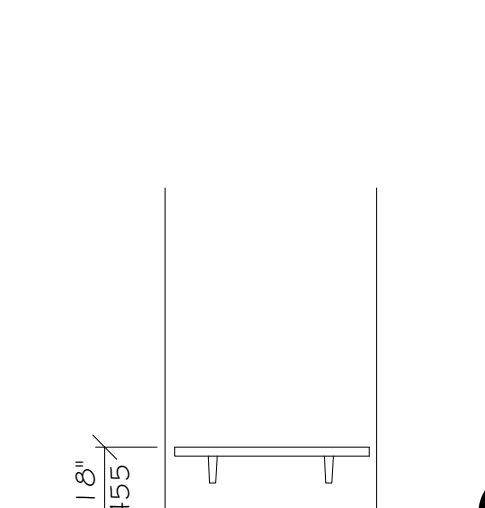
LAVATORY CLEARANCES NTS



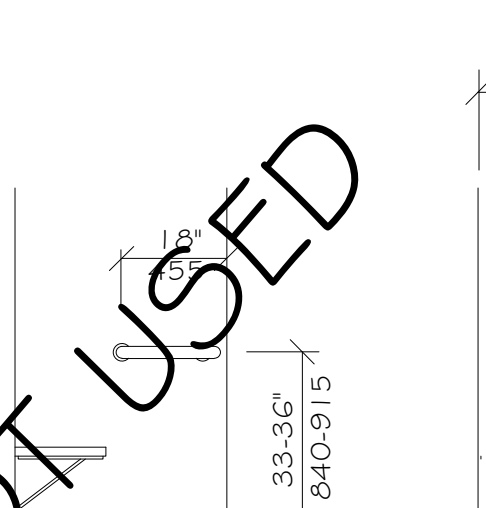
FIRE EXTINGUISHER CABINET (FEC) NTS



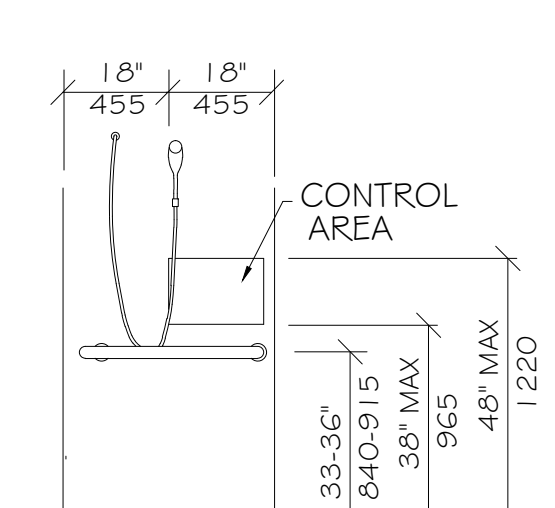
TOWEL & SOAP DISPENSERS NTS



SEAT WALL

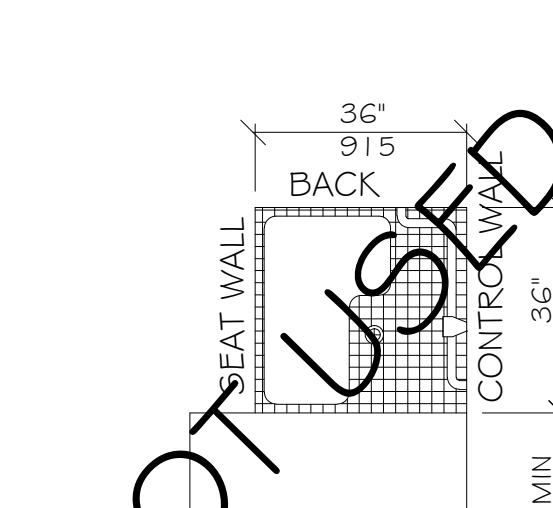


BACK

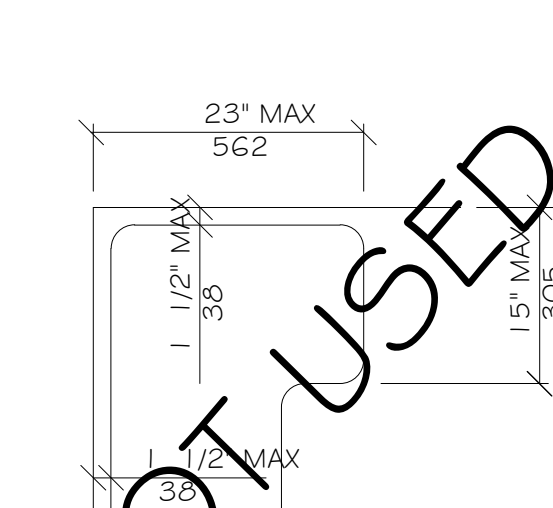


CONTROL WALL

NOT USED

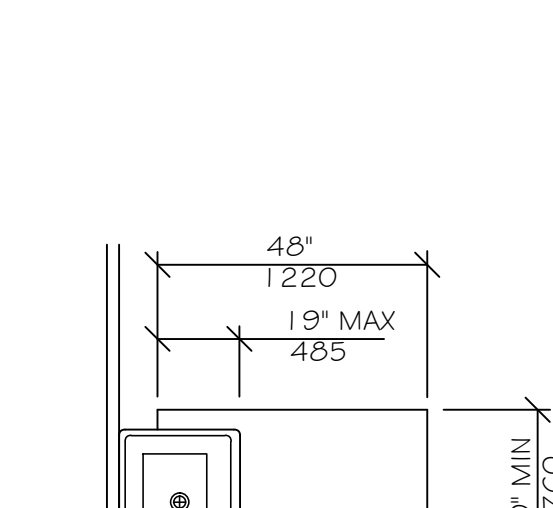


SHOWER STALL PLAN NTS

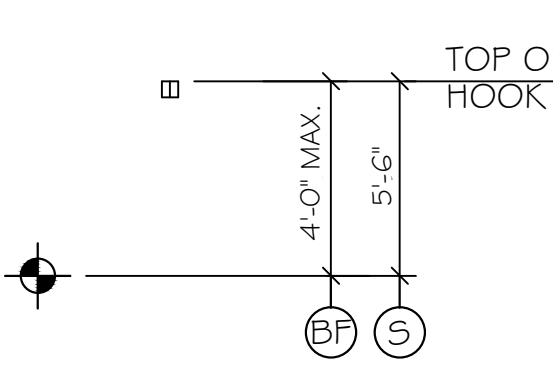


SHOWER SEAT DESIGN NTS

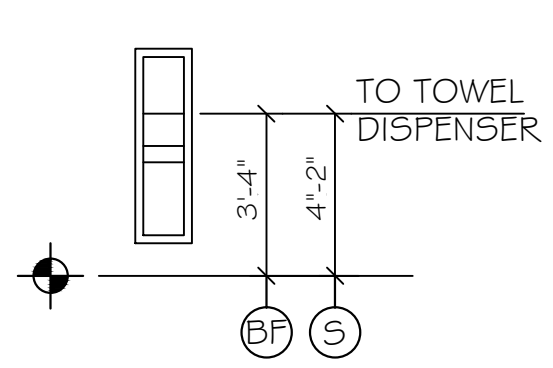
NOT USED



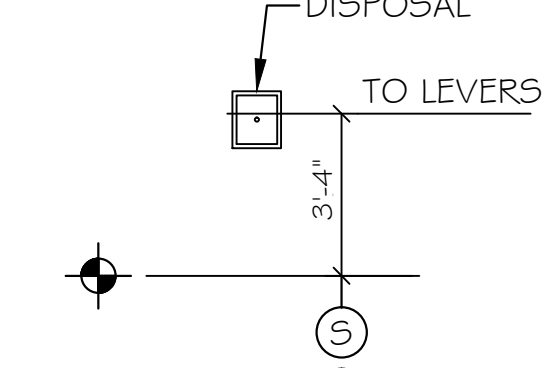
CLEAR FLOOR SPACE AT LAVATORIES NTS



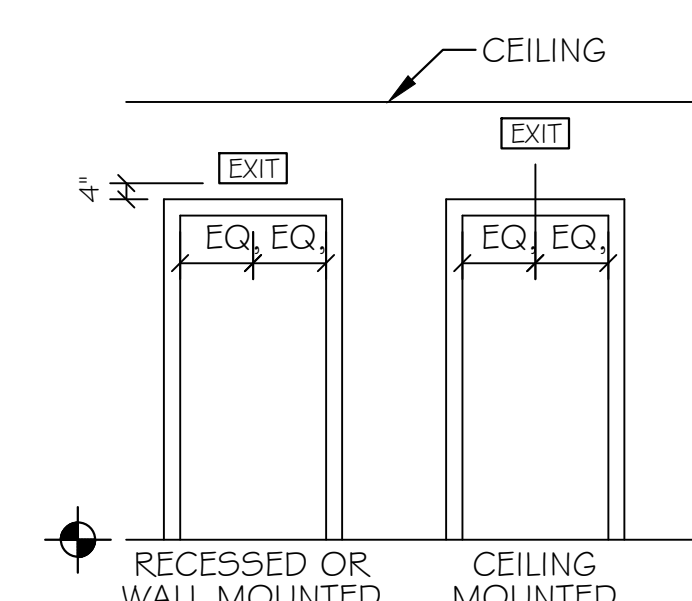
CLOTHES HOOK NTS



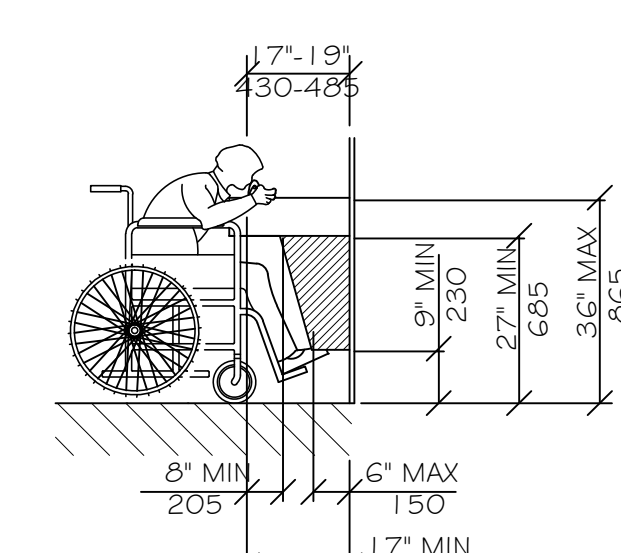
TOWEL DISPENSER DISPOSAL UNIT NTS



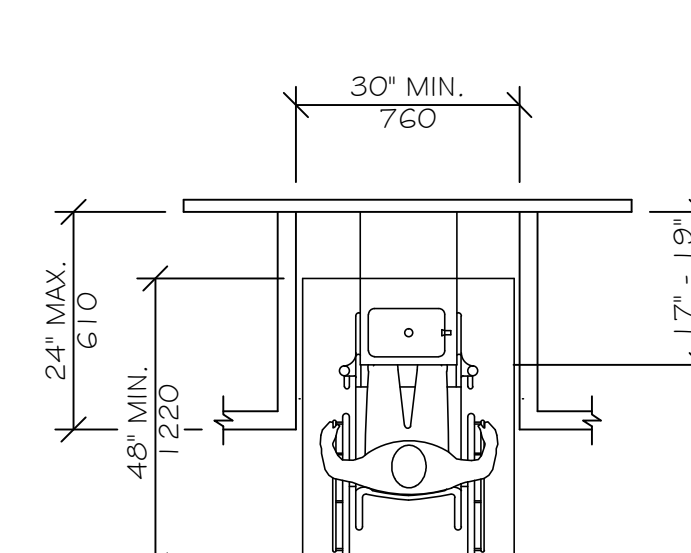
SANITARY DISPOSAL UNIT NTS



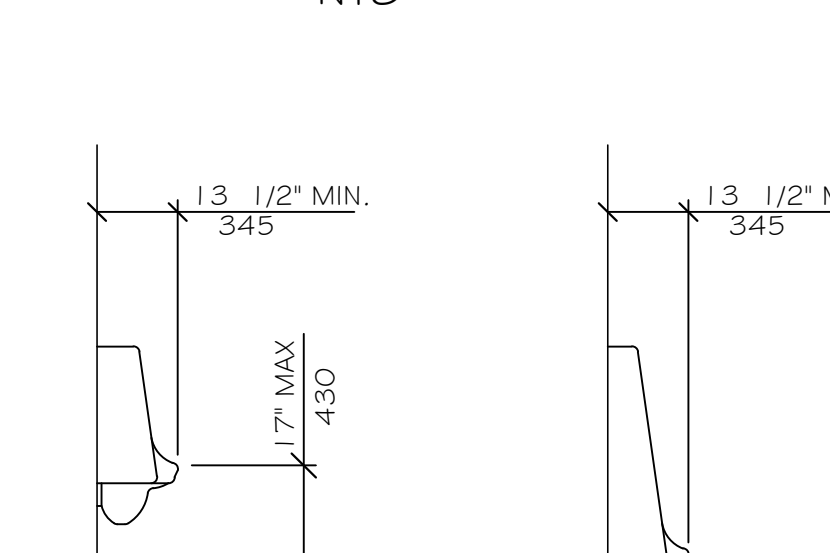
EXIT SIGNS TYPICAL UNLESS OTHERWISE NOTED NTS



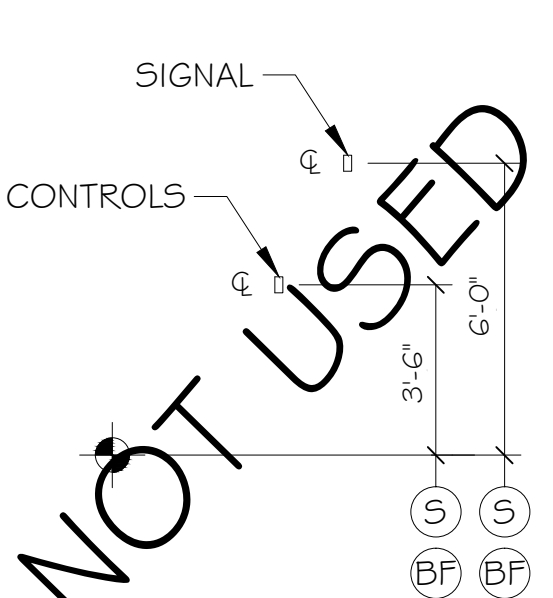
EQUIPMENT PERMITTED IN SHADED AREA DRINKING FOUNTAIN SPOUT HEIGHT AND KNEE CLEARANCE NTS



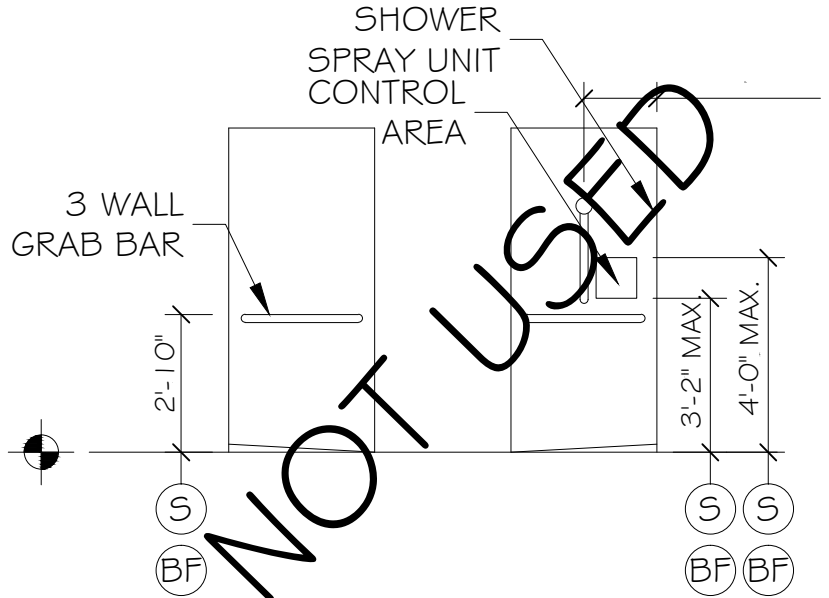
DRINKING FOUNTAIN NTS



HEIGHT AND DEPTH OF URINALS NTS

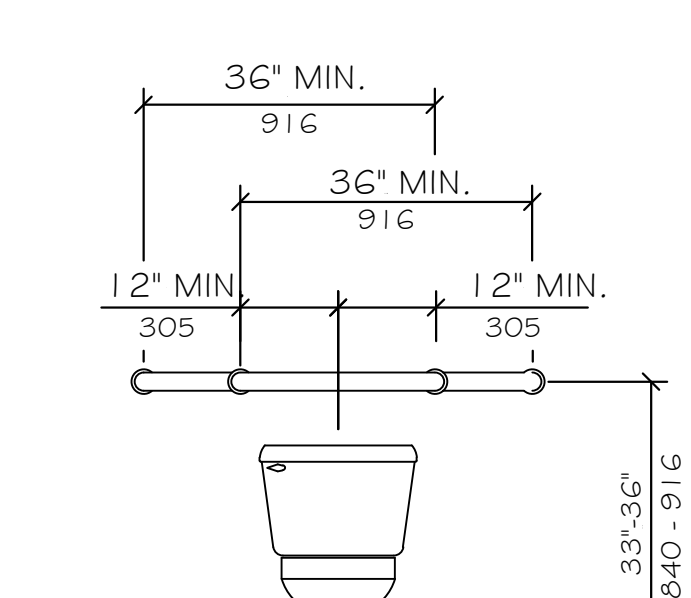


ELEVATOR CONTROLS & SIGNALS NTS

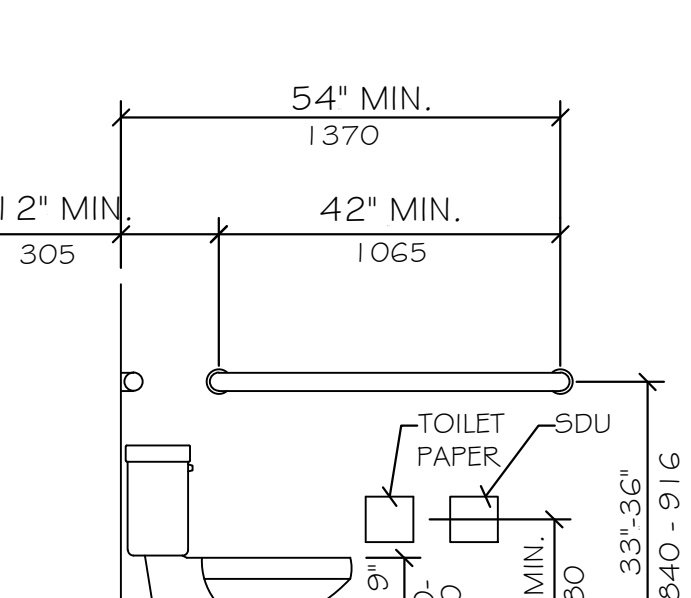


BARRIER FREE SHOWER NTS

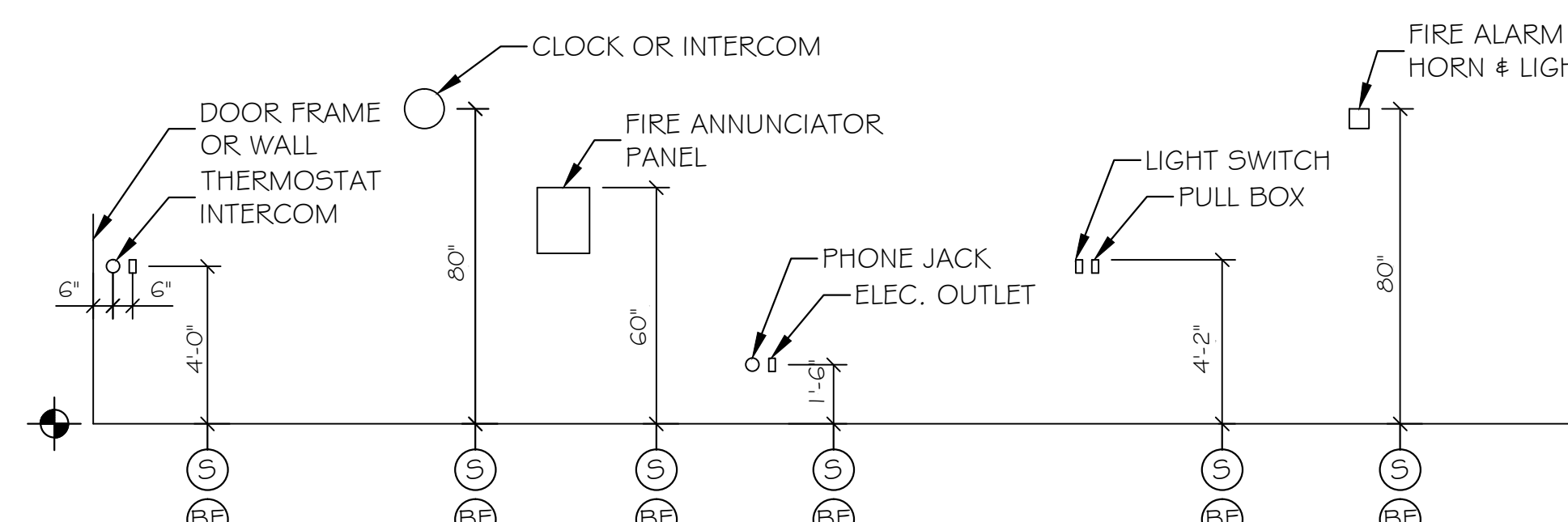
NOT USED



GRAB BARS AT WATER CLOSETS NTS



GRAB BARS AT WATER CLOSETS NTS



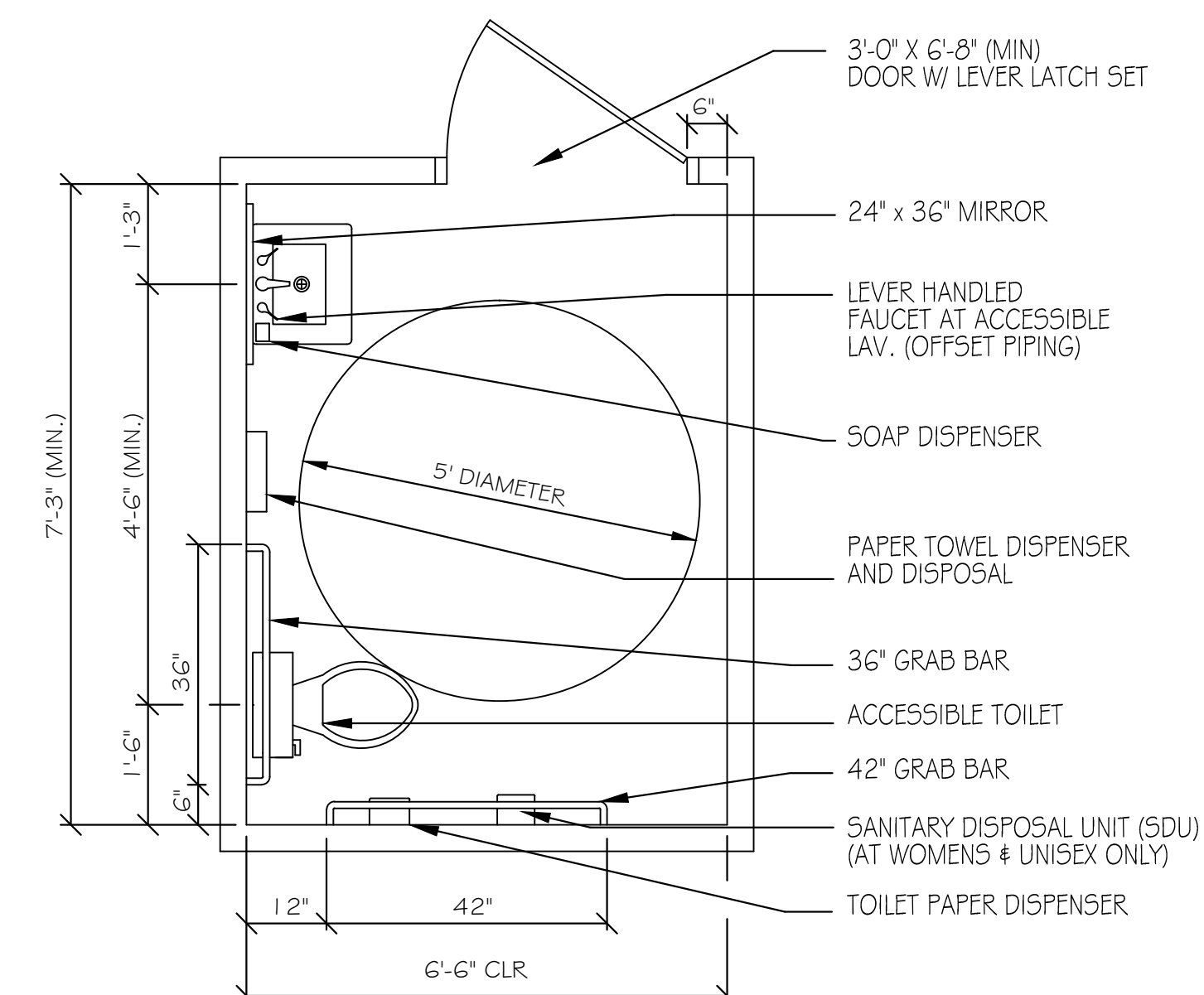
ELECTRICAL & FIRE PROTECTION DEVICES TYPICAL UNLESS NOTED OTHERWISE NTS

LEGEND

- (S) STANDARD MOUNTING HEIGHT
- (BF) BARRIER FREE ADULT MOUNTING HEIGHT
- (⊕) FINISH FLOOR LINE

NOTE

MOUNT ALL FIXTURES AT STANDARD MOUNTING HEIGHT UNLESS INDICATED ON PLAN BY A SYMBOL. A & SYMBOL AT ANY ROOM SHALL INCLUDE ONE OF ANY FIXTURE AND ACCESSORY WITHIN THE ROOM.



TYPICAL ACCESSORIES NTS

ACCESSIBILITY ACCESSORY MOUNTING HEIGHTS

GRAB BARS	33"-36"
TOILET PAPER HOLDER	19" MIN
TOWEL BAR/PAPER TOWEL DISPENSER	48" MAX
BUILT IN PAPER TOWEL DISPENSER	48" MAX
SOAP DISH/DISPENSER AT WALL	48" MAX
SANITARY DISPOSAL UNIT	19" MAX
MIRROR (BOTTOM)	40" MAX
SHELVES/STORAGE	48" MAX
ELECTRICAL SWITCHES/OUTLETS	48" MAX
COAT HOOKS/RODS	48" MAX
SIGNAGE (TO BRAILLE COMPONENT)	60" MAX

ACCESSIBILITY GENERAL NOTES

- DOORWAYS SHALL HAVE A MINIMUM CLEAR WIDTH OF 32" WITH THE DOOR OPEN 90 DEGREES. MEASURED BETWEEN THE FACE OF THE DOOR AND THE OPPOSITE STOP.
- ALL DOORS SHALL HAVE LEVER HANDLE HARDWARE, EXCEPT AT SECURED STORAGE ROOMS, MECHANICAL ROOMS, AND ELEVATOR MACHINE ROOMS.
- ALL CLOSERS SHALL BE 5LB PULL MAXIMUM AT DOORS EQUIPPED WITH LEVER HANDLE HARDWARE.
- ALL DOORS WITH CLOSERS SHALL HAVE 1 1/2" CLEAR DISTANCE FROM THE LATCHSIDE OF THE OPENING TO ANY ADJACENT WALL OR OBSTRUCTION ON THE PULL SIDE OF THE OPENING.
- ALL DOORS WITH CLOSERS SHALL HAVE 1 1/2" CLEAR DISTANCE FROM THE LATCHSIDE OF THE OPENING TO ANY ADJACENT WALL OR OBSTRUCTION ON THE PUSH SIDE OF THE OPENING.
- ALL SIGNAGE SHALL BE MOUNTED 60" AFF TO BRAILLE COMPONENT AT LATCH-SIDE WALL OF DOORS AND OPENINGS.
- COMPLY WITH 2010 EDITION OF THE AMERICANS WITH DISABILITIES ACT.