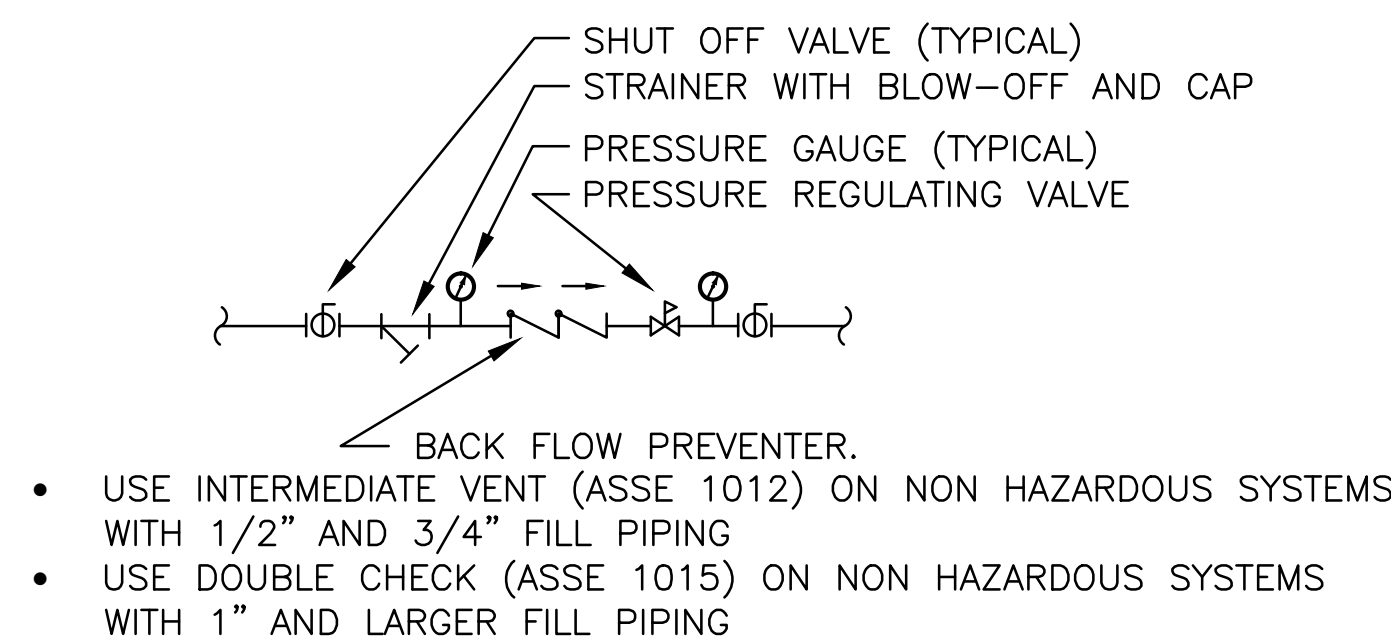


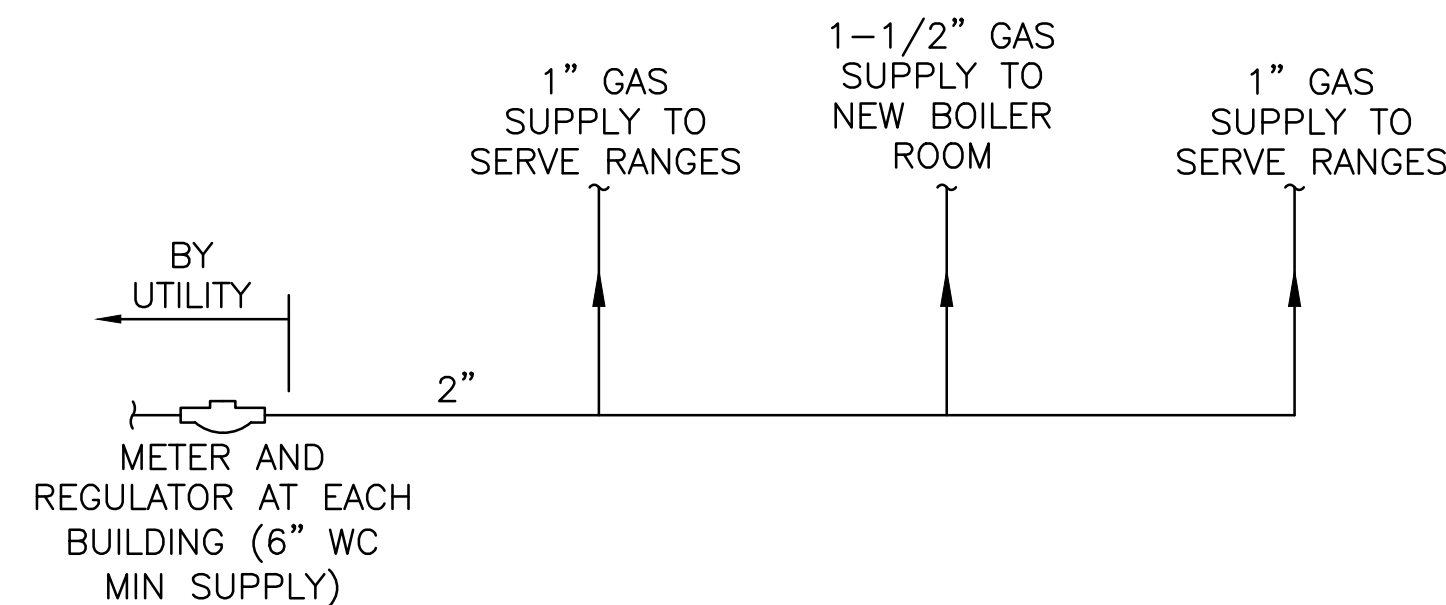
PIPE HANGER ATTACHMENTS DETAIL

SCALE: NTS



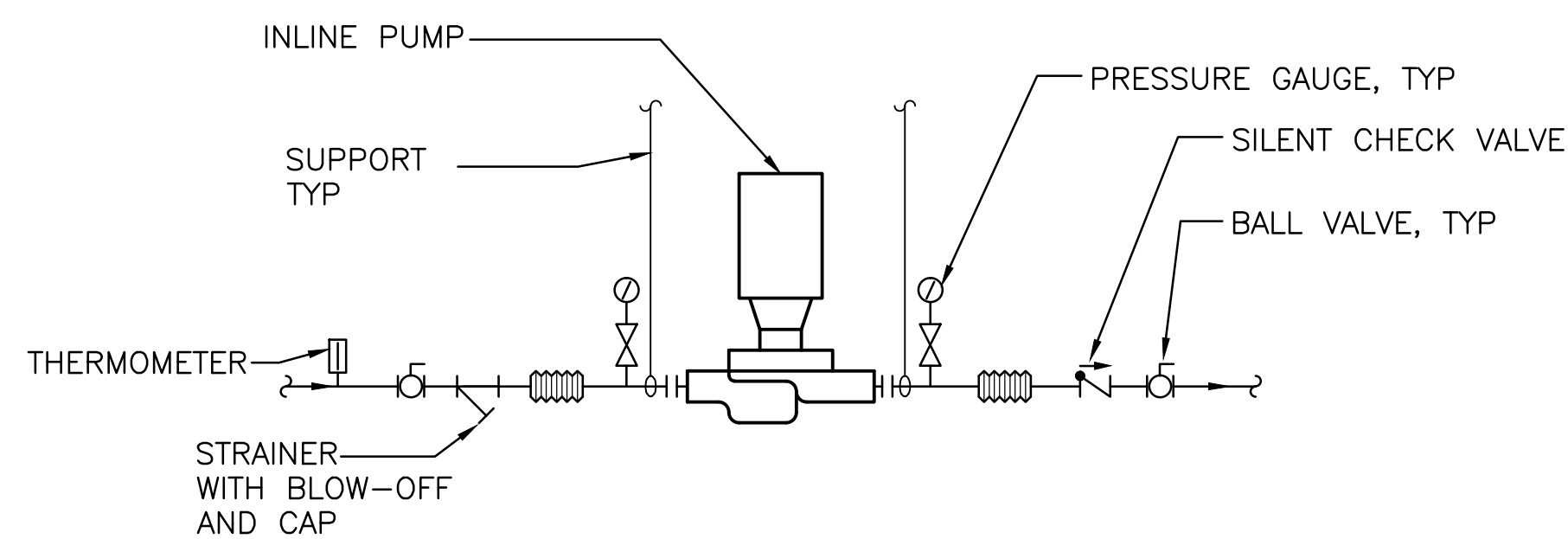
TYPICAL MAKE-UP WATER CONNECTION DETAIL

NOT TO SCALE



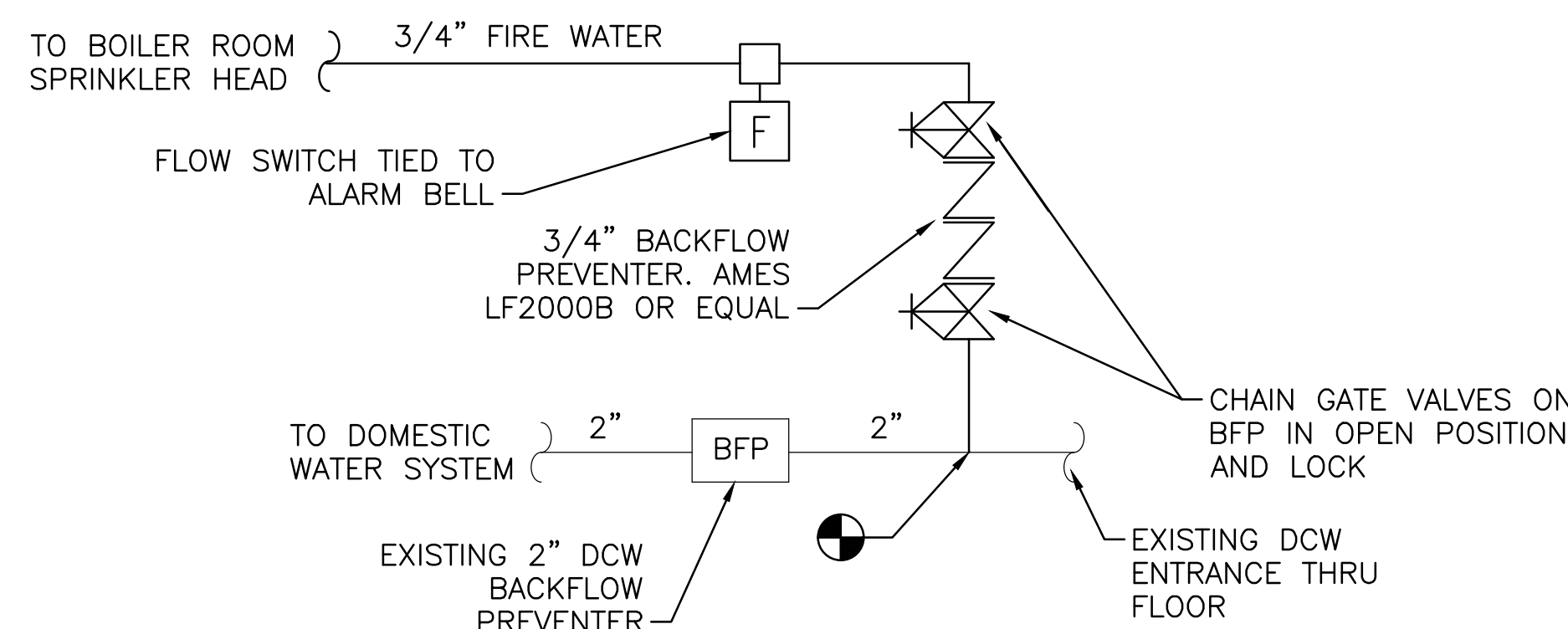
TYPICAL BUILDING GAS DIAGRAM

NOT TO SCALE



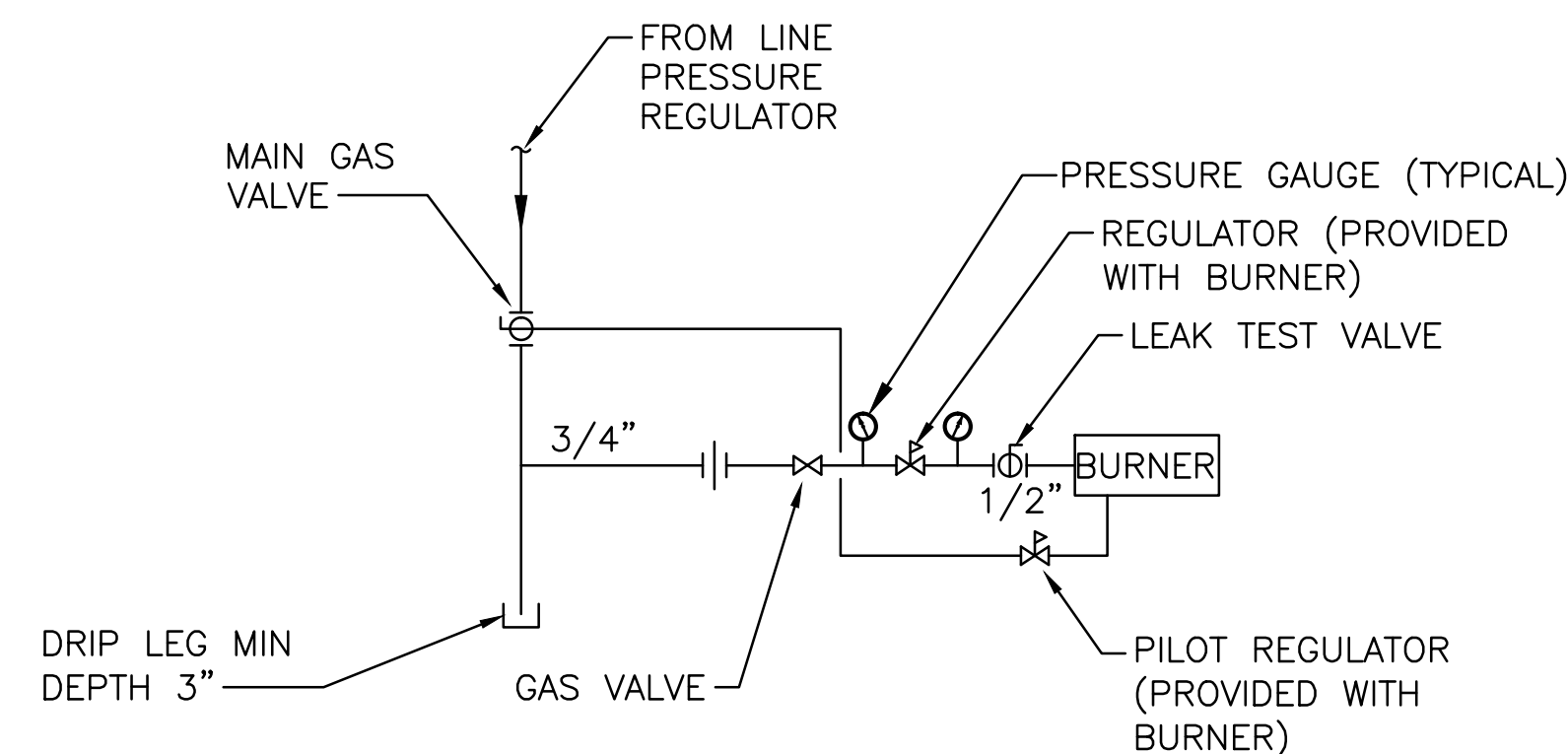
INLINE PUMP PIPING SCHEMATIC

SCALE: NTS



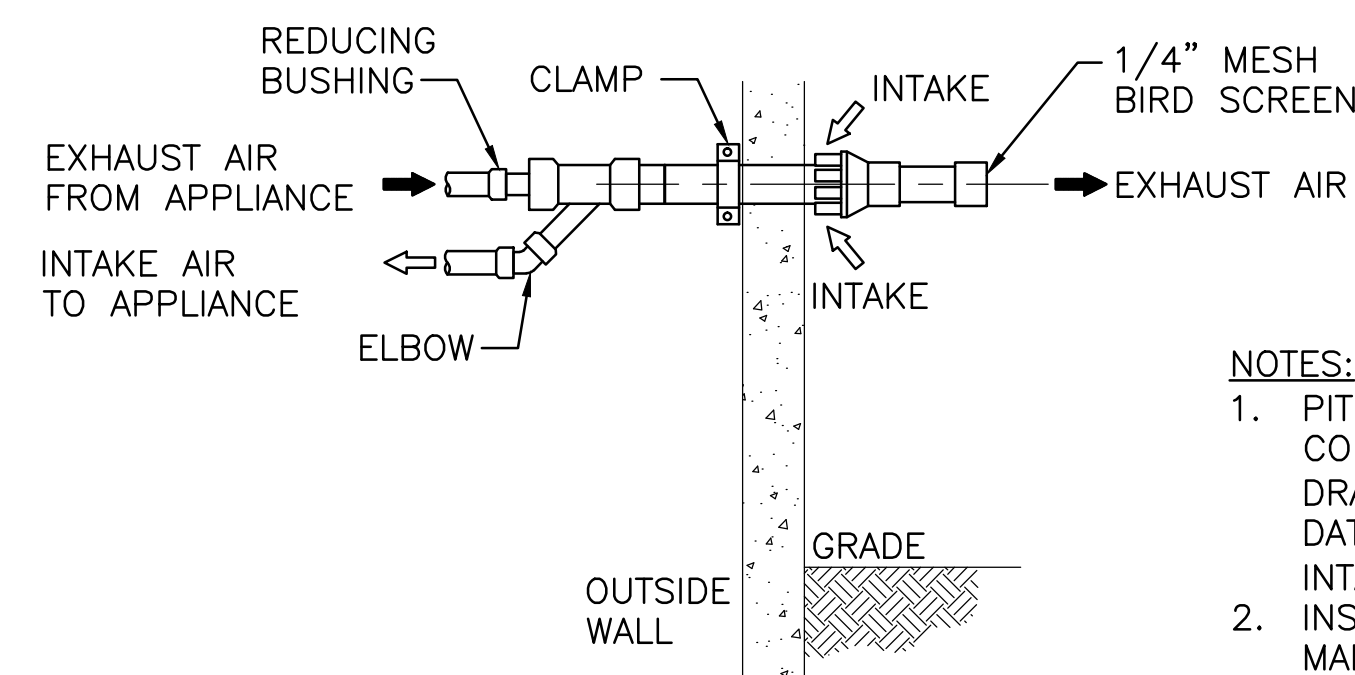
FIRE/DOMESTIC WATER RISER DIAGRAM - LIMITED AREA

SCALE: NTS



TYPICAL GAS TRAIN ARRANGEMENT

NOT TO SCALE



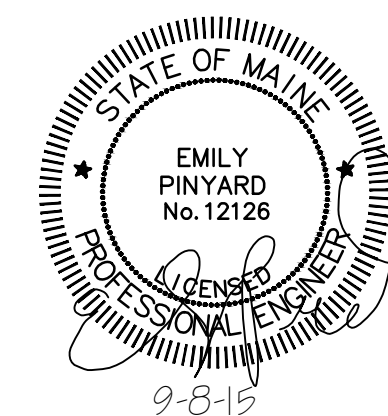
CONCENTRIC WALL TERMINATION DETAIL

NOT TO SCALE

- NOTES:
- PITCH 1/4" PER FOOT TOWARDS BOILER. CONNECT TO INTEGRAL CONDENSATE DRAIN. CONFIRM WITH MANUFACTURER'S DATA FOR EXACT DETAILS ON APPLIANCE INTAKE/EXHAUST VENTING REQUIREMENTS.
 - INSTALL BOILER VENTING PER NFPA 54. MAINTAIN MINIMUM NFPA 54 CLEARANCES BETWEEN VENT TERMINATION AND BUILDING OPENINGS.

NOTES:

- SEE SHEET M-001 FOR LEGEND, ABBREVIATIONS AND GENERAL NOTES.
- SCOPE OF WORK REPRESENTED IS TYPICAL FOR BUILDINGS 12,17,25.



				PORTLAND HOUSING AUTHORITY PORTLAND, MAINE			
				RIVERTON BOILER REPLACEMENTS BUILDING NOS 12,17,25			
				MECHANICAL DETAILS			
0	ISSUED FOR CONSTRUCTION	CSS	ERP	9-8-15			
REV	DESCRIPTION	DWN	APP	DATE			
PLEASE NOTE: THIS DOCUMENT MAY NOT ACCURATELY REPRESENT THE FINAL DOCUMENT. ONLY AN ENGINEER, ARCHITECT OR SURVEYOR SIGNED, SEALED AND DATED PAPER COPY, PROVIDED BY THIS OFFICE, MAY BE UTILIZED FOR BIDDING OR CONSTRUCTION PURPOSES.		Colby Company engineering		47A York Street Portland, Maine 04101 207.533.7753 colbycoengineering.com		PROJECT NO. 218.011.001	
SIZE: ANSI D		DATE: 9-8-15		DES BY: ERP		SHEET	
DWN BY: CSS		CKD BY: MIF		11 OF 17		DRAWING NO. M-501	