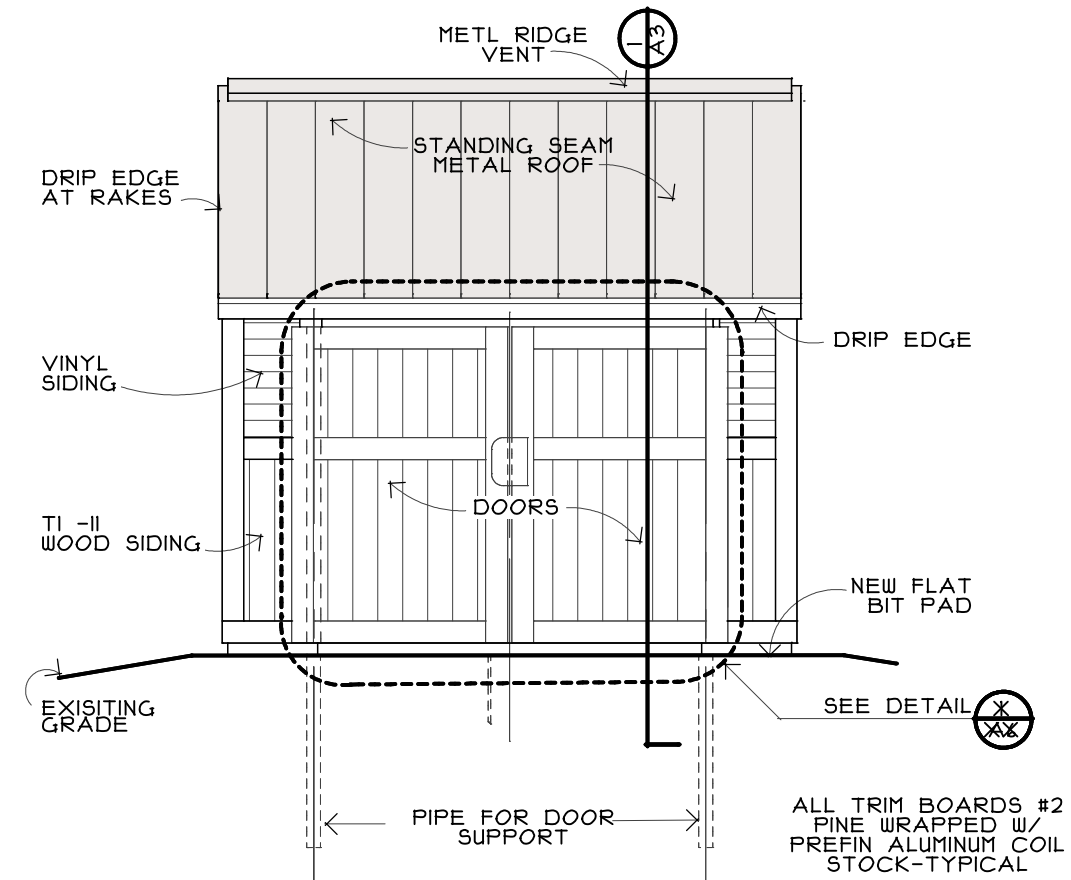


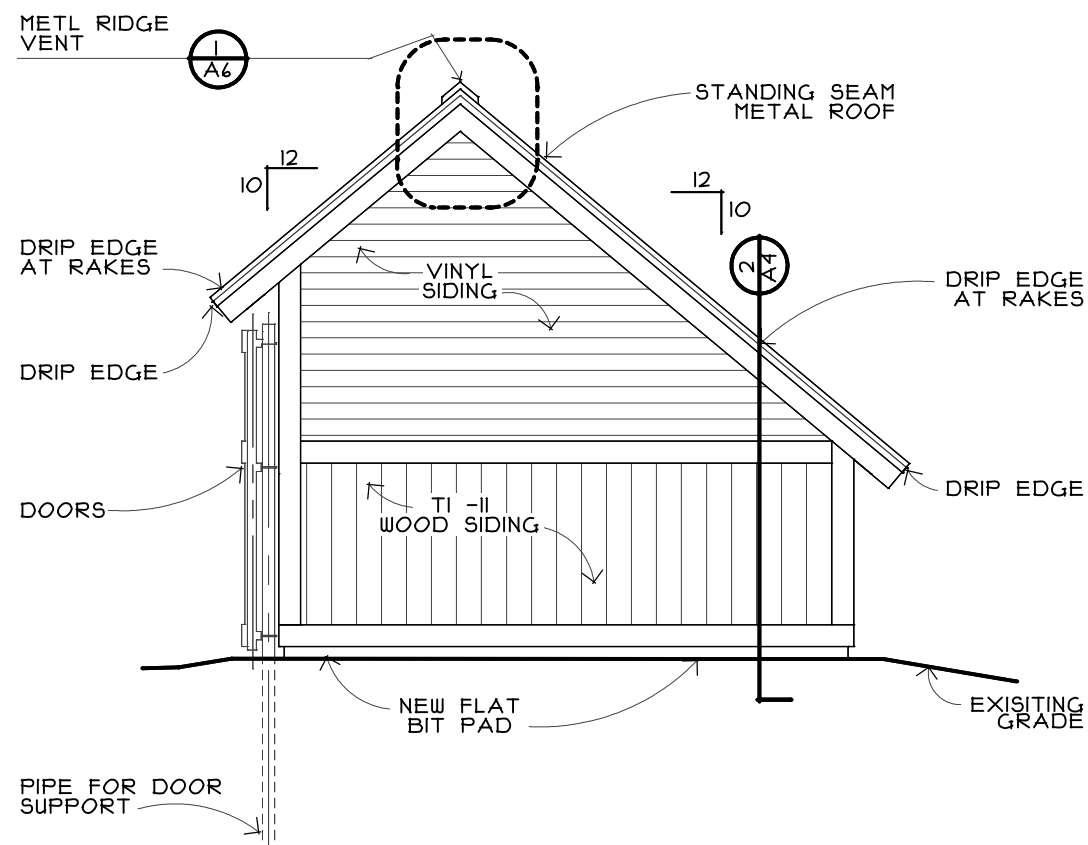
LEFT SIDE ELEVATION

SCALE: 1/4"=1'-0"



FRONT ELEVATION

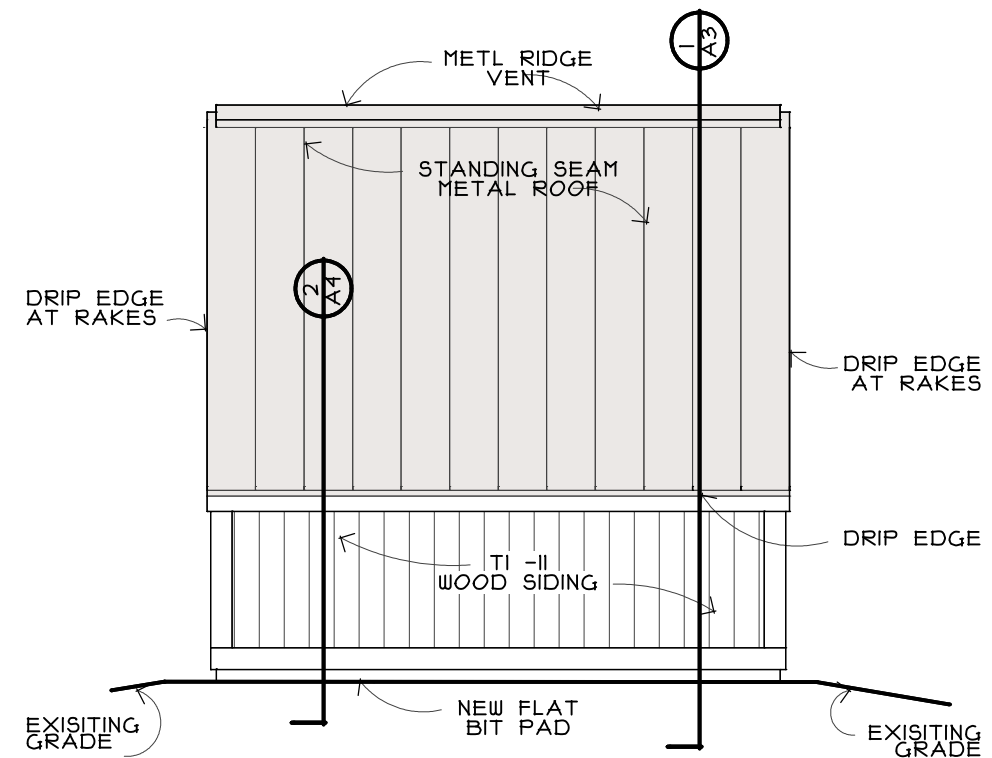
SCALE: 1/4"=1'-0"



RIGHT SIDE ELEVATION

SCALE: 1/4"=1'-0"

ALL TRIM BOARDS #2 PINE WRAPPED W/ PREFIN ALUMINUM COIL STOCK-TYPICAL



REAR ELEVATION

SCALE: 1/4"=1'-0"