

8/12/04

NOTED

by: MFL

Y: JHL

by: JHL

BURGE RESIDENCE

UNIT # 9B

GREAT DIAMOND ISLAND

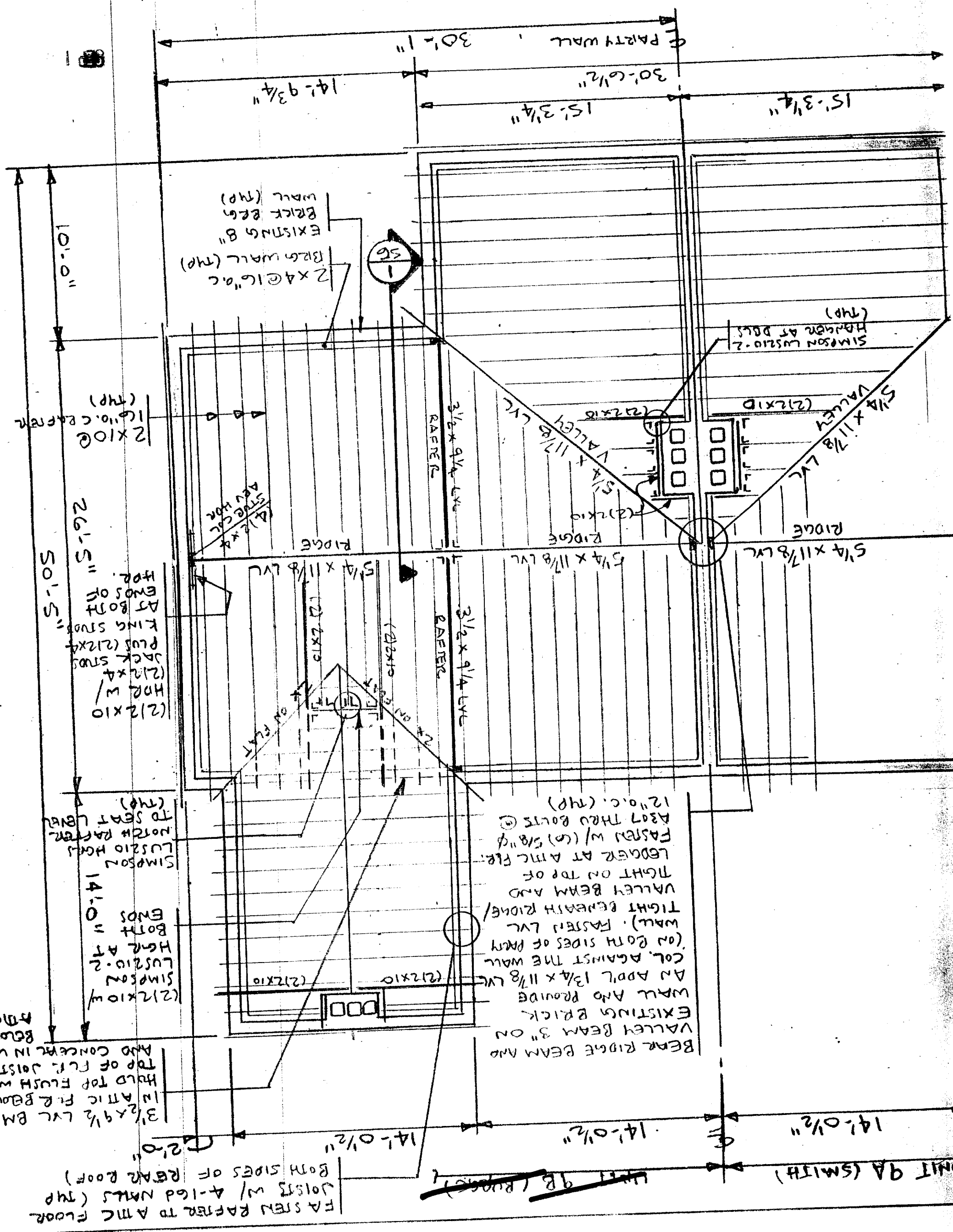
PORTLAND, MAINE

ROOF FRAMING PLAN

SS

PHONE: (207) 767-4830
FAX: (207) 708-5432
EMAIL: LENGOAL.COM

L & L STRUCTURAL
ENGINEERING SERVICES, INC.
SIX O STREET
SOUTH PORTLAND, MAINE 04106



UNIT 9A (SMITH)

UNIT 9B (BURGE)

BEAR RIDGE BEAM AND VALLEY BEAM 3" ON EXISTING BRICK WALL AND PROVIDE AN ADD'L 1 3/4 x 11/8 LVL AGAINST THE WALL (ON BOTH SIDES OF PARTY WALL). FASTEN LVL TIGHT BEHIND RIDGE/ VALLEY BEAM AND TIGHT ON TOP OF LEDGER AT ATTIC FLE. FASTEN W/ (4) 5/8" φ 12" o.c. (TRP)

(2) 2x10 HDR W/ JACK STDS PLUS (2) 2x4 KING STDS AT BOTH ENDS OF RIG. (TRP)

SIMPSON LUS210-2 HDR AT BOTH ENDS = 14'-0" SIMPSON LUS210 HDR NORTH RAFTER TO SEAT LEDGER (TRP)

3/2 x 9/4 LVL BM IN ATTIC FLE BEAM HOLD TOP FLUSH W TOP OF FLE JOISTS AND CONCRET IN WALL

FASTEN RAFTER TO ATTIC FLOOR JOISTS W/ 4-16d NAILS (TRP) BOTH SIDES OF BEAR RIDGE

8/12/04

NOTED

by: MFL

by: JHL

by: JHL

BURGE RESIDENCE

UNIT # 98

GREAT DIAMOND ISLAND

PORTLAND, MAINE

SECTIONS & DETAILS

PHONE: (207) 767-4830
FAX: (207) 708-5432
EMAIL: LENGAOL.COM

SIX O STREET
SOUTH PORTLAND, MAINE 04106

L & L STRUCTURAL
ENGINEERING SERVICES, INC.

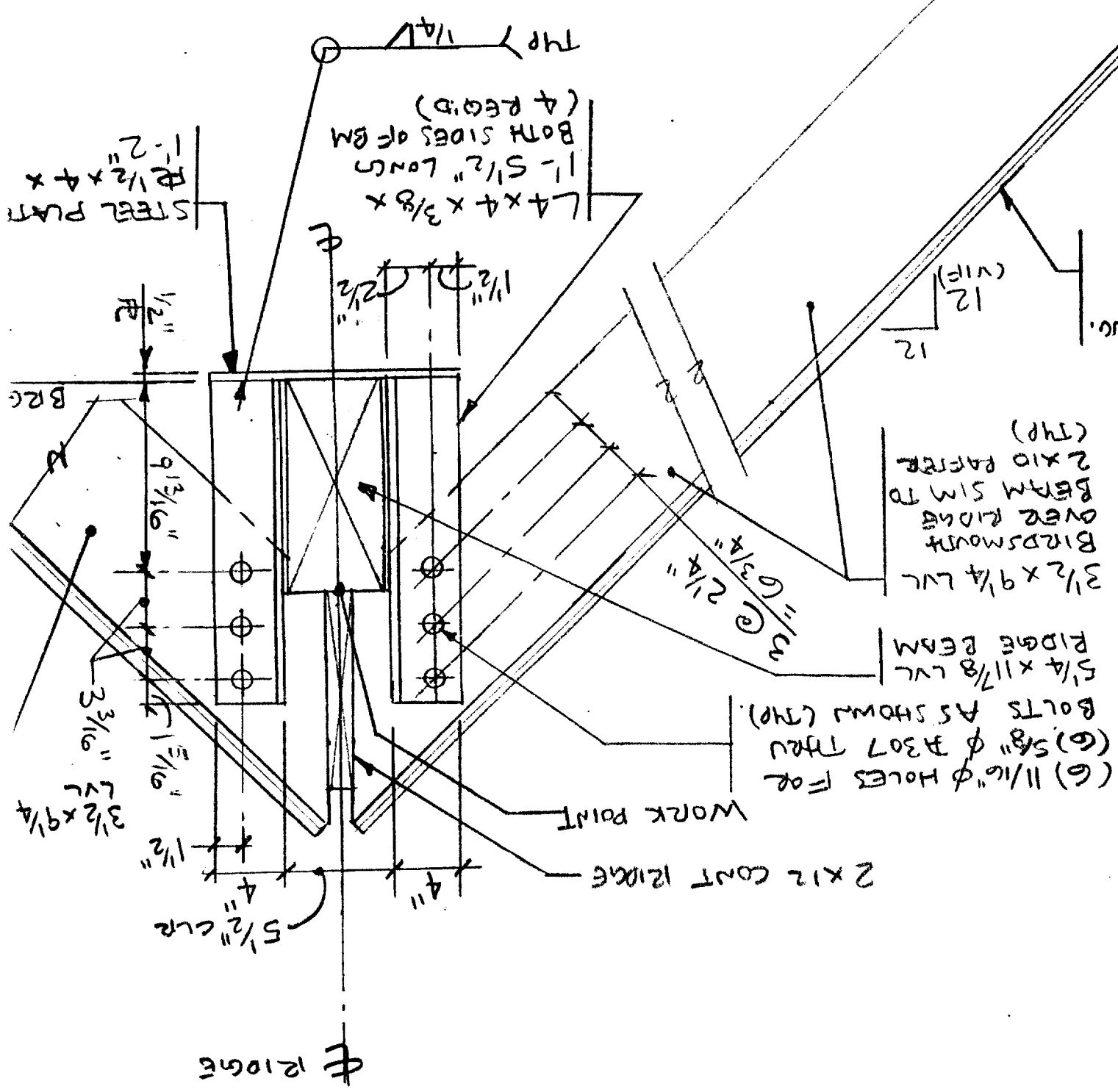
56

SECTION 1

1" = 1'-0"

1 3/4" x 7/4" LVL JOISTS @ 16" O.C. (TRP AT ATTIC)

G.C. ADVISE: RELIABLE ELEVATION OF ATTIC FLOOR TO PAPER BEARINGS ELEVATION



5/8" APA RATED SHEATHING FASTENED W/ 10d NAILS @ 12" O.C. AT PANEL EDGES AND INTERMEDIATE (TRP).

(6) 11/16" phi HOLES FOR BOLTS AS SHOWN (TRP).
5/4 x 11/8 LVL
3/2 x 9/4 LVL
BIRDSMOUNT OVER RIDGE BEAM SIM TO 2x10 PAPER (TRP)

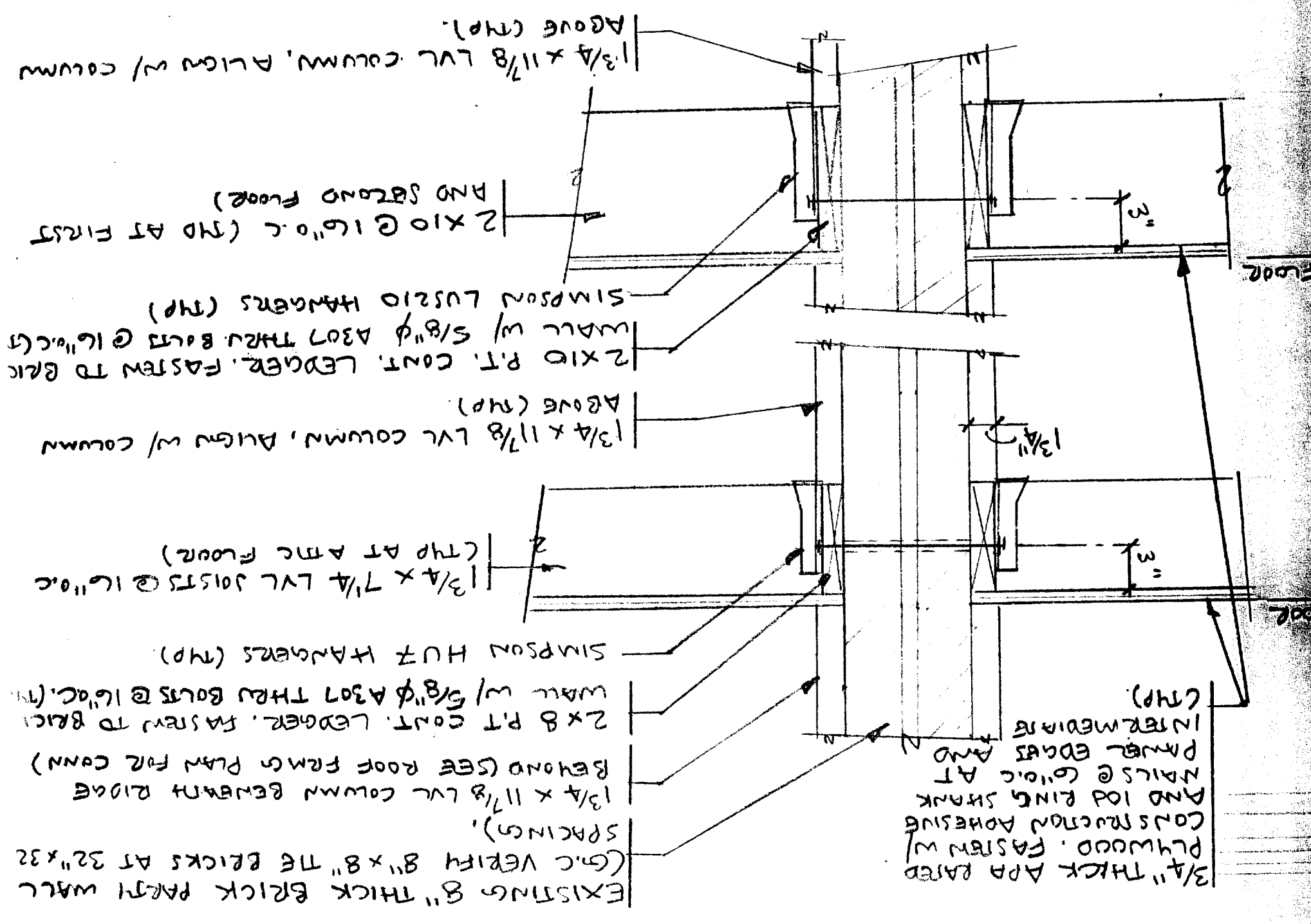
1-5 1/2" LONG L4 x 4 x 3/8" (4 REQ'D) BOTH SIDES OF BM
1-2" x 4" x 1/2" STEEL PLATE

9 13/16"
1 1/2"
1 1/2"
3 3/16"
3 1/2 x 9/4 LVL

2 x 12 CONT RIDGE
WORK POINT
4"
4"
5 1/2" CLR
1 1/2"
1 1/2"
4" BRC

8/12/04	SECTIONS & DETAILS	L & L STRUCTURAL ENGINEERING SERVICES, INC SIX O STREET SOUTH PORTLAND, MAINE 04106 PHONE: (207) 787-4830 FAX: (207) 788-5432 EMAIL: LLENGO@L.COM
NOTED	PORTLAND, MAINE	
by: MFL	GREAT DIAMOND ISLAND	
by: JHL	UNIT #9E	
by: JHL	BUGGE RESIDENCE	

SECTION 2
 1"=1'-0"
 S3,54



13