

PRELIMINARY
NOT FOR CONSTRUCTION

1844 FOREST AVE RENOVATION
PORTLAND, ME

RENOVATION

NO.	ISSUED	DESCRIPTION	REVISION #1	REVISION #2	CHKD.	DATE
					DR.	BY
A					SJP	4-10-13
B						

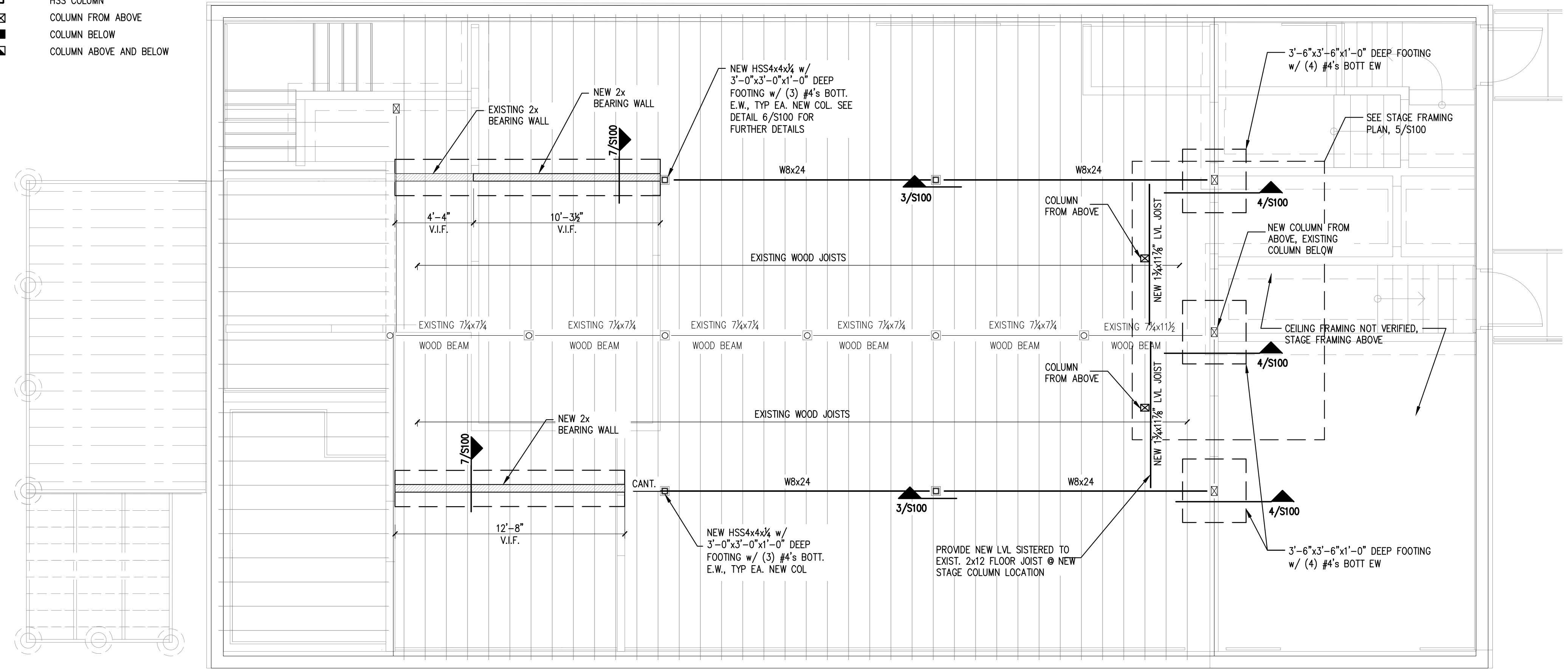
SHEET TITLE:
FIRST FLOOR & STAGE FRAMING PLAN

DESIGNED: SM
DRAWN: SM
DATE: 2-1-12
PROJECT NUMBER: 11-071-B

S100



- PLAN LEGEND**
- BEARING WALL
 - BEAM
 - HSS COLUMN
 - COLUMN FROM ABOVE
 - COLUMN BELOW
 - COLUMN ABOVE AND BELOW



FIRST FLOOR FRAMING PLAN

SCALE: 1/4"=1'-0" 1

SECTION

SCALE: 1"=1'-0" 2

SECTION

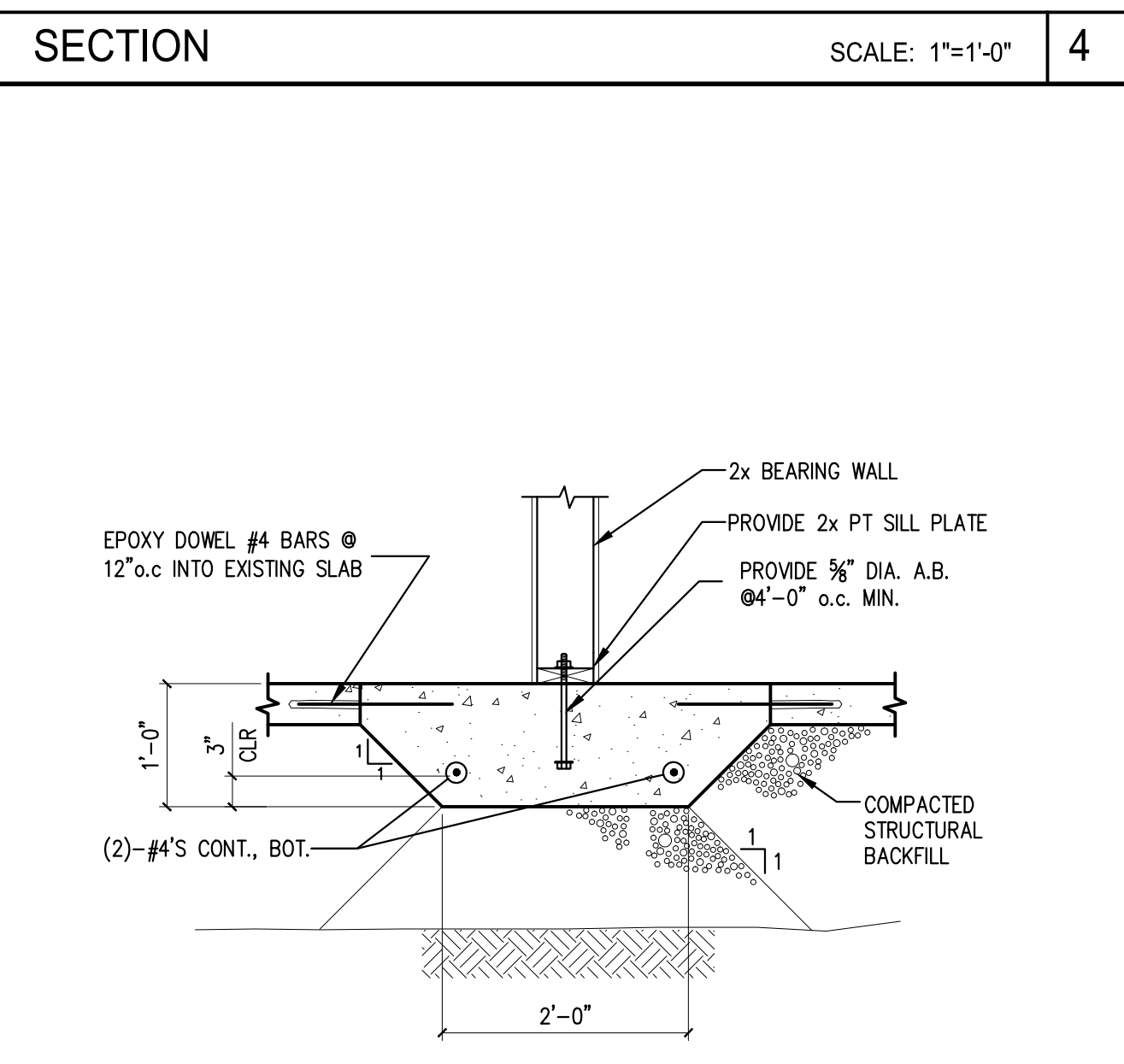
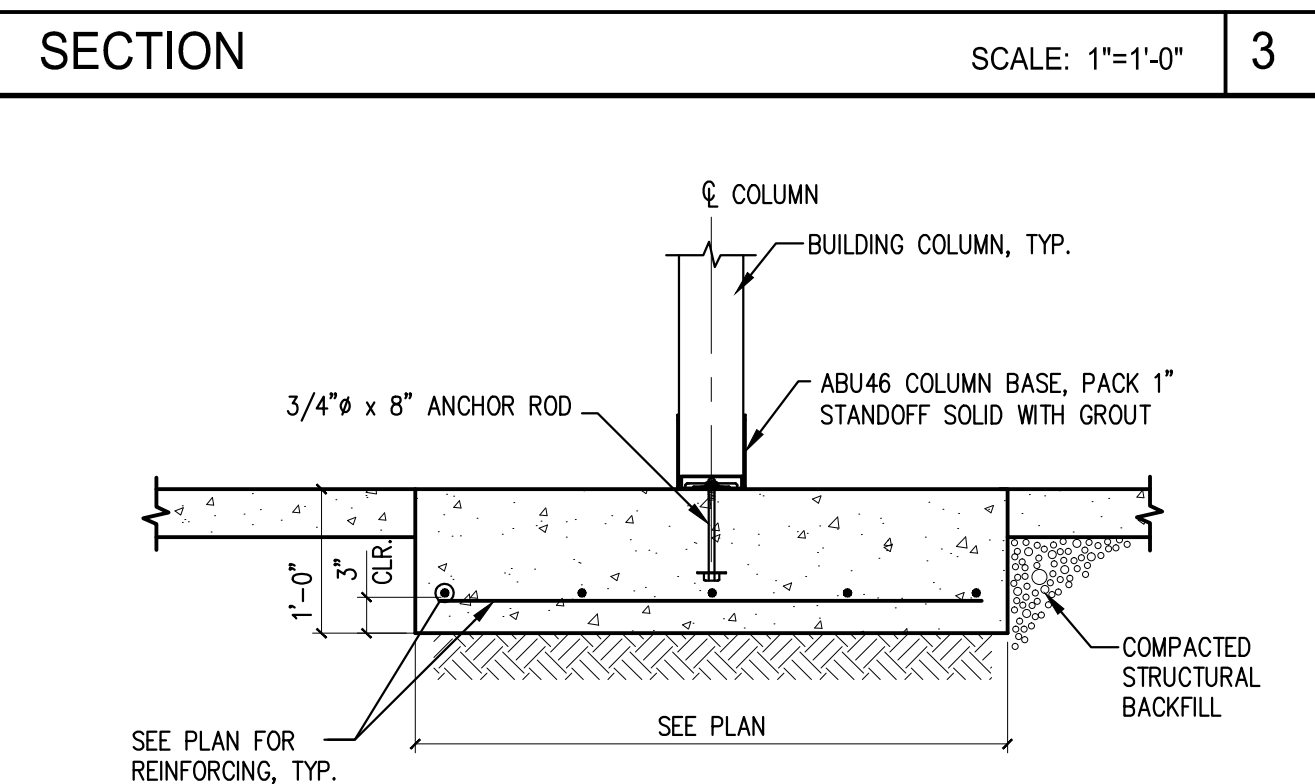
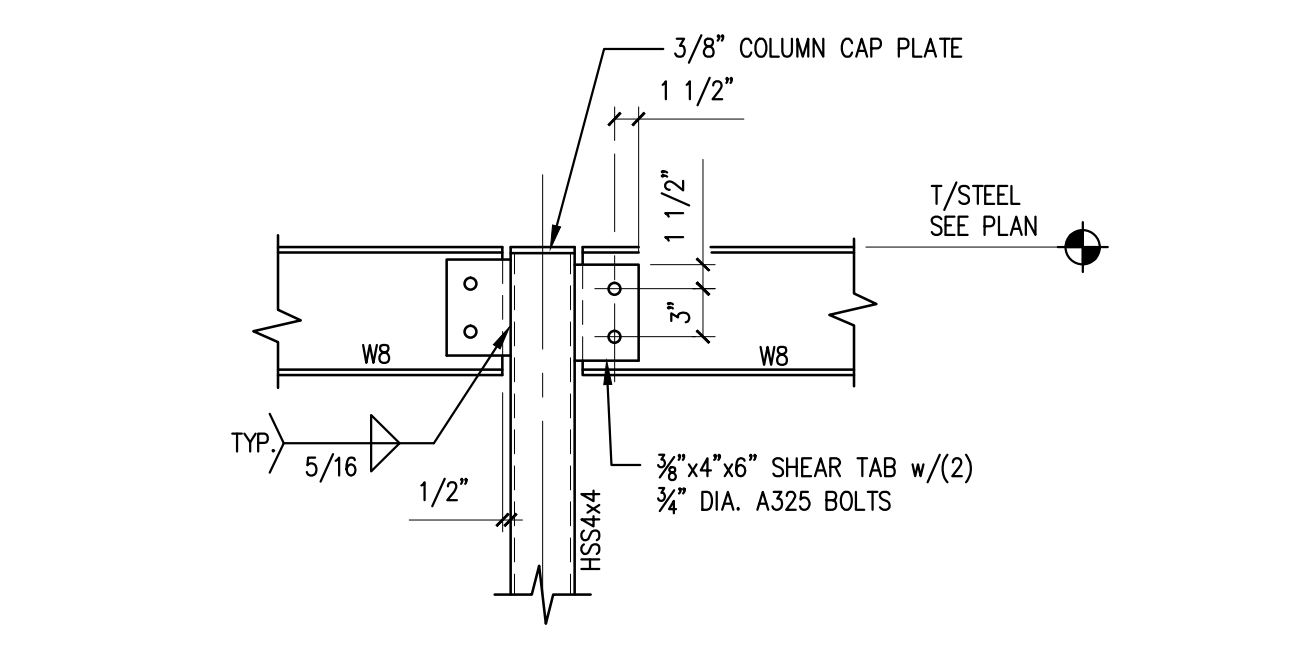
SCALE: 1"=1'-0" 2

SECTION

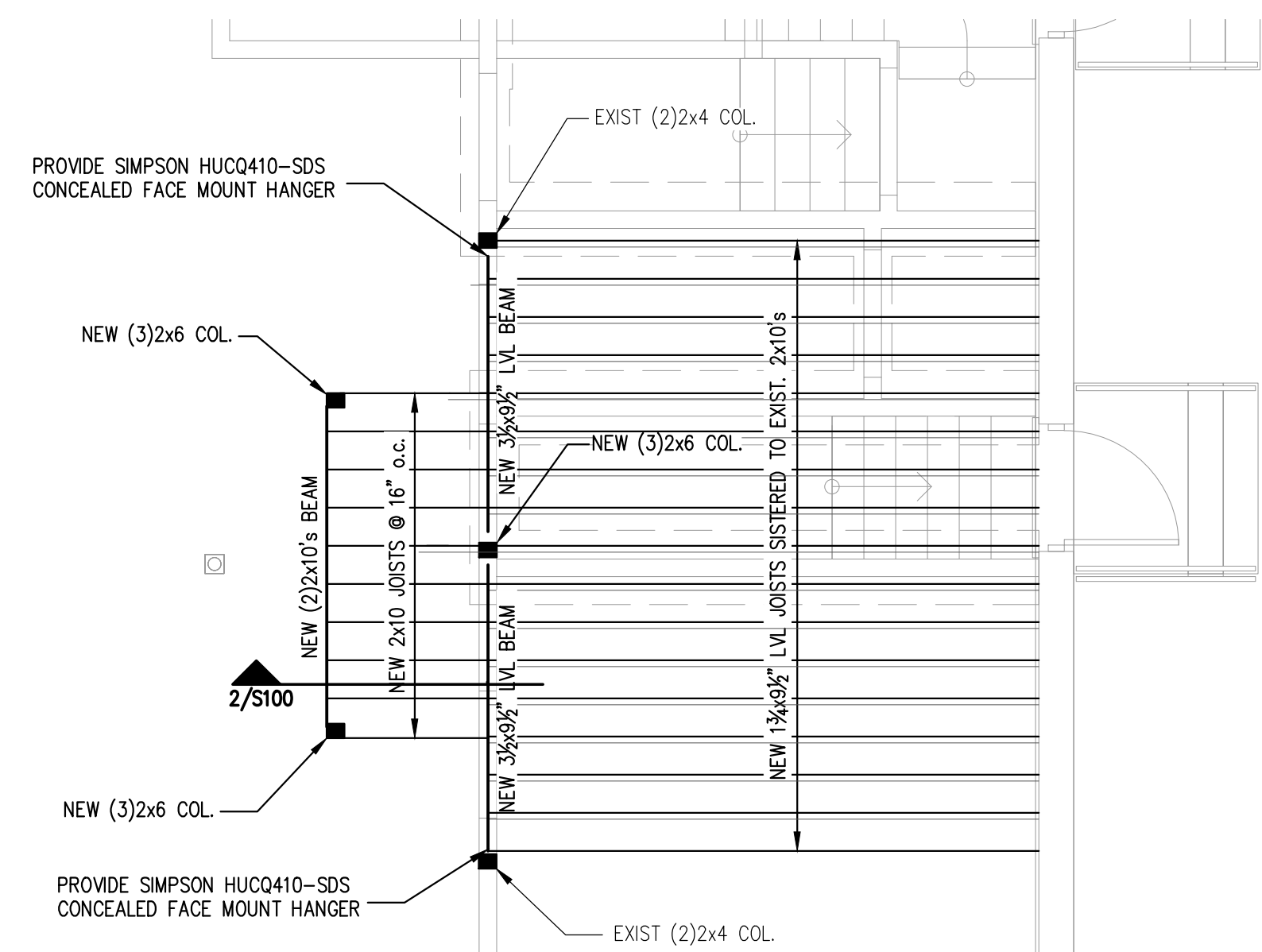
SCALE: 1"=1'-0" 3

SECTION

SCALE: 1"=1'-0" 4



- PLAN LEGEND**
- BEARING WALL
 - BEAM
 - HSS COLUMN
 - COLUMN FROM ABOVE
 - COLUMN BELOW
 - COLUMN ABOVE AND BELOW

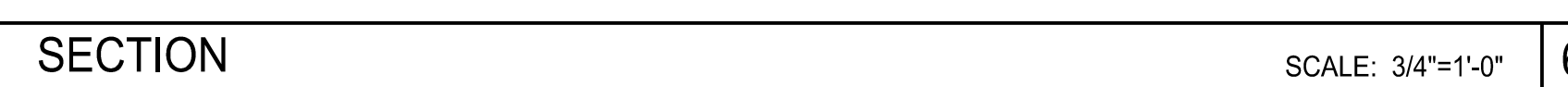
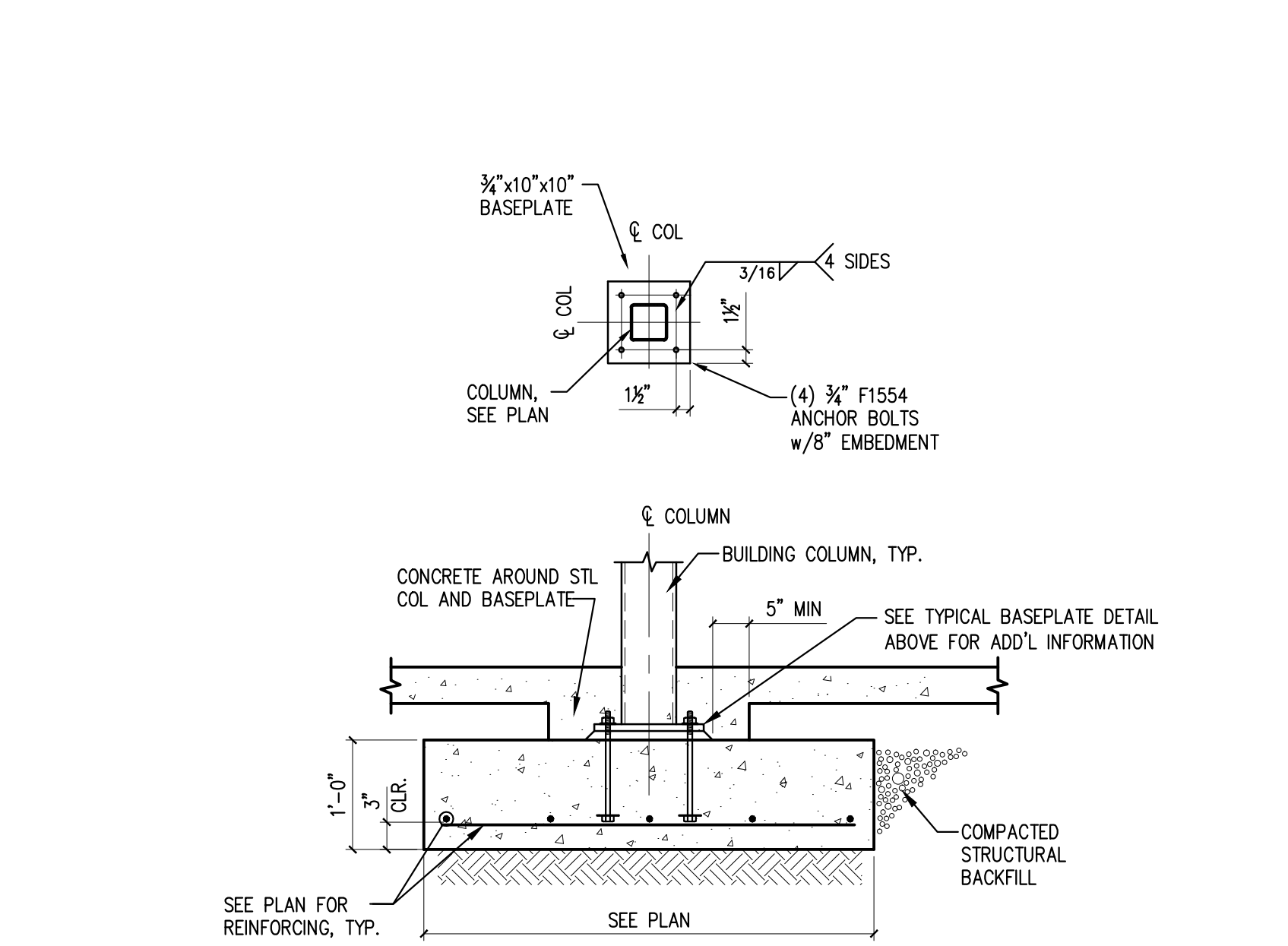


STAGE FRAMING PLAN (RAISED)

SCALE: 3/4"=1'-0" 5

SECTION

SCALE: 3/4"=1'-0" 6



SECTION

SCALE: 3/4"=1'-0" 6

SECTION

SCALE: 3/4"=1'-0" 7

PRINTED: Apr 11, 2013