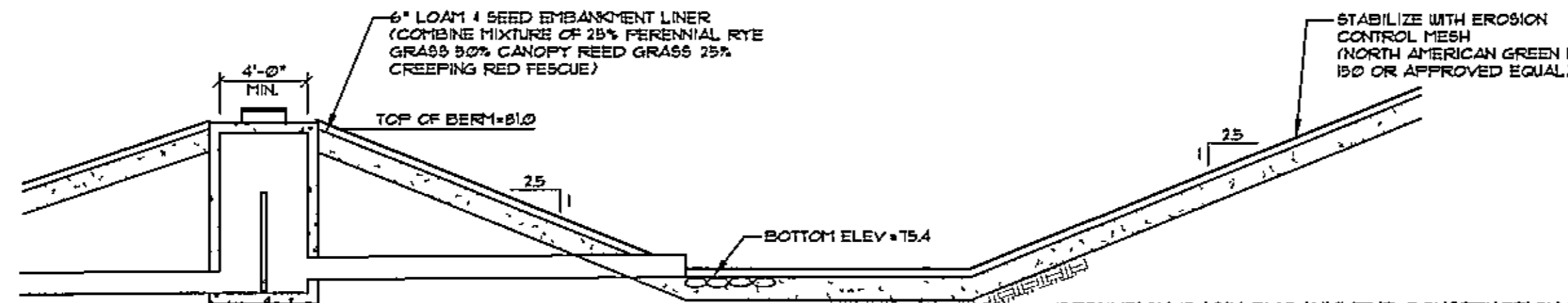


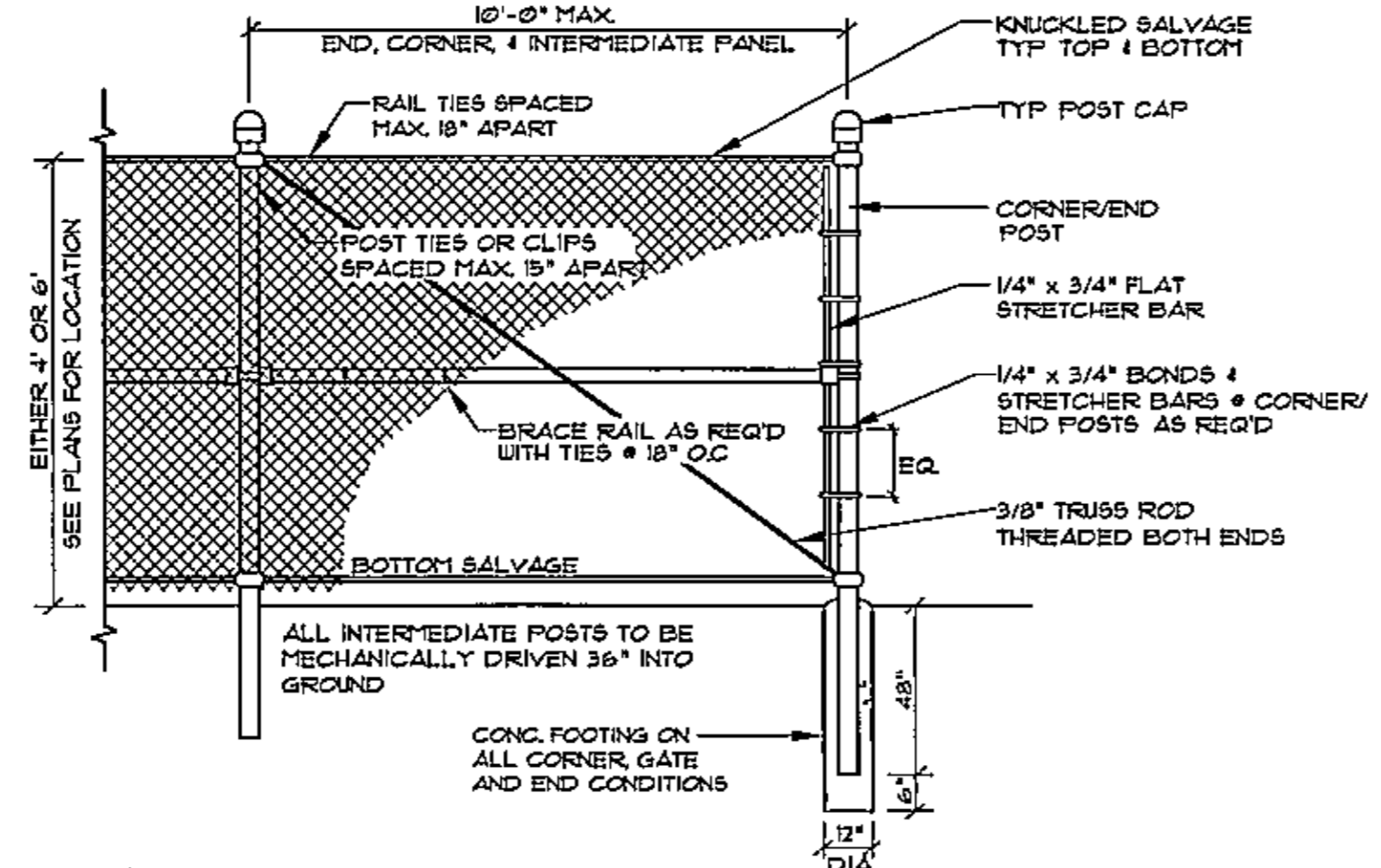
- NOTES:**
- 4'-0" ID TYPICAL. SOME STRUCTURES MAY REQUIRE LARGER ID PROVIDE SHOP DRAWINGS
 - DRAINAGE STRUCTURES TO BE DESIGNED FOR H-20 LOADING.
 - PIPE SIZES AND INVERTS AS NOTED ON PLANS
 - CATCH BASIN FRAME AND GRATE TO BE ETHERIDGE FOUNDRY 64246 TYPE M OR C OR APPROVED EQUAL.

TYPICAL DRAINAGE STRUCTURE
NOT TO SCALE



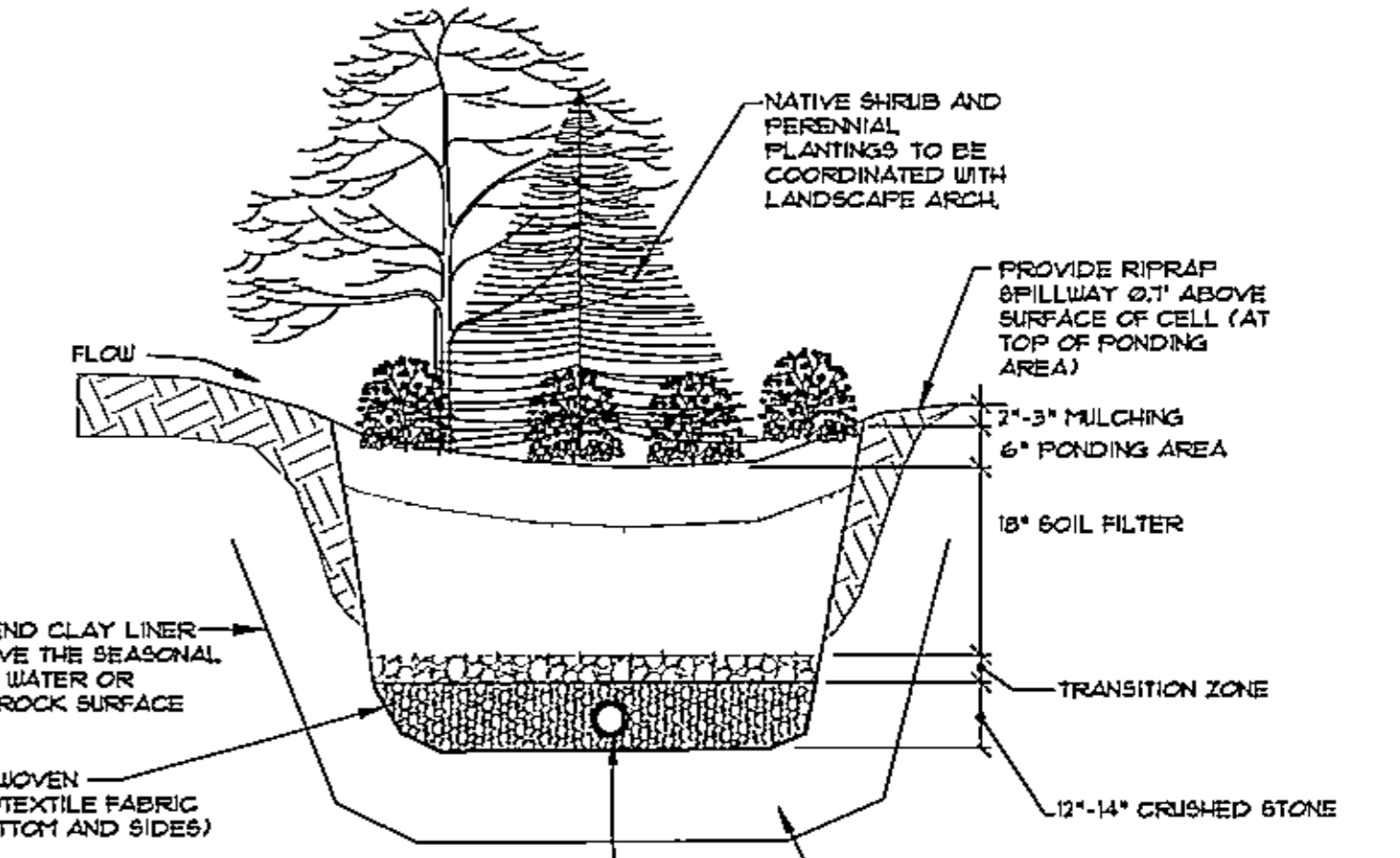
- RETENTION BASIN EMBANKMENT CONSTRUCTION NOTES**
- CONSTRUCTION OF CONCRETE BORROW MATERIAL MEETING MDOT SPECIFICATIONS
 - PLACE BORROW MATERIAL IN 12" LIFTS COMPACTED TO 95% OF MAXIMUM
 - INSTALL RIP RAP AND EROSION CONTROL MESH WHERE SPECIFIED ON PLANS
 - LOAM, SEED, AND STABILIZE IN ACCORDANCE WITH SEDIMENTATION AND EROSION CONTROL
 - THE EMBANKMENT LINER SHALL BE 6 INCHES OF LOAM MIXED WITH NATIVE SOILS WITH A SILT CONTENT GREATER THAN THAT OF THE SOIL FILTER BED, SUCH THAT THE PERMEABILITY OF THE EMBANKMENT LINER IS LESS THAN THE FILTER BED MATERIAL

RETENTION POND SECTION
NOT TO SCALE



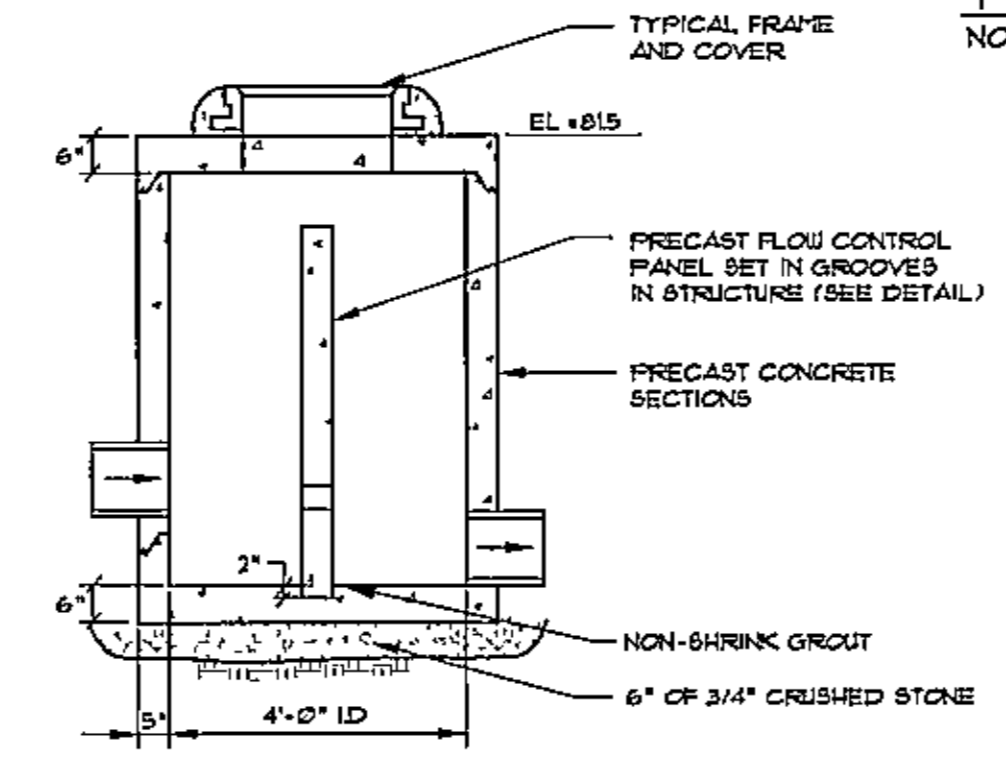
- NOTES**
- CORNER OR END POST NOMINAL 3" O.D GALVANIZED STEEL PIPE, MIN 9'10" L&LF
 - INTERMEDIATE POST NOMINAL 2-1/2" O.D GALVANIZED STEEL PIPE, MIN 3'6.5" L&LF
 - BRACES (TOP & BOTTOM) NOMINAL 1-5/8" O.D GALVANIZED STEEL PIPE, MIN 2'7" L&LF
 - THE OUTSIDE OF THE FENCE FABRIC SHALL BE 3" INSIDE THE EDGE OF PAVEMENT
 - BRACE RAIL AND DIAGONAL BRACE ROD SHALL BE INSTALLED AT EACH 10' CORNER SECTION OF ENCLOSURE.
 - CONCRETE SHALL HAVE MINIMUM COMPRESSIVE STRENGTH (f'c) OF 3,000 PSI WITH 6% AIR ENTRAINMENT
 - SUBMIT SHOP DRAWINGS FOR OWNER'S/ENGINEER'S APPROVAL
 - FENCE FABRIC, POST, RAILS AND APPURTENANCES SHALL BE VINYL CLAD, COLOR: BLACK
 - FENCE SHALL INCLUDE INSTALLATION OF DARK GREEN VINYL SLATS THROUGH CHAINLINK TO ENHANCE SCREENING EFFECT

TYPICAL CHAIN LINK FENCE
NOT TO SCALE

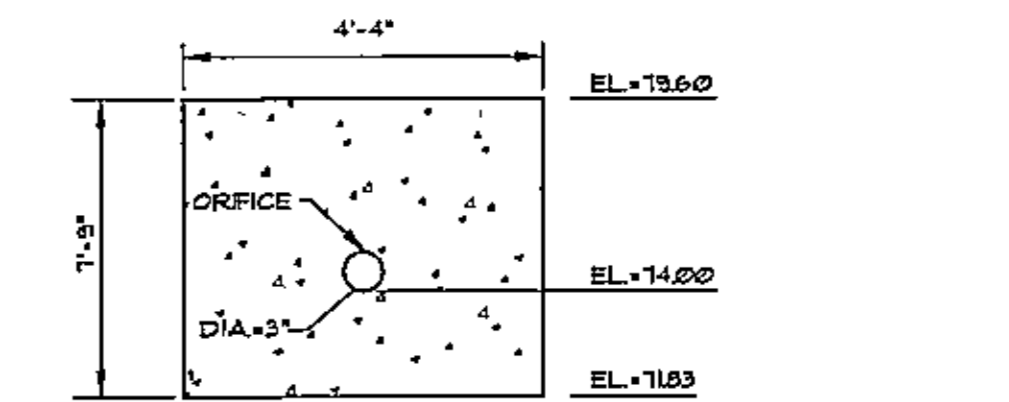


- NOTES:**
- TYPICAL SEE BIORETENTION CELL DETAIL FOR ADDITIONAL SPECIFICATIONS
 - IF BIORETENTION CELL OR RAIN GARDEN IS CONSTRUCTED IN FILL, REFER TO EMBANKMENT CONSTRUCTION IN SPILLWAY DETAIL THIS SHEET
- CLAY LINER CONSTRUCTION**
- CLAY USED IN LINING SHALL BE COMPOSED OF MINERAL SOIL PARTICLES LESS THAN 0.002 MILLIMETERS IN DIAMETER, WITH 40% OR MORE CLAY, LESS THAN 45% SAND, AND LESS THAN 40% SILT AS IDENTIFIED BY THE USDA
 - PLACE CLAY MATERIAL AND COMPACT TO 95% OPTIMUM DENSITY

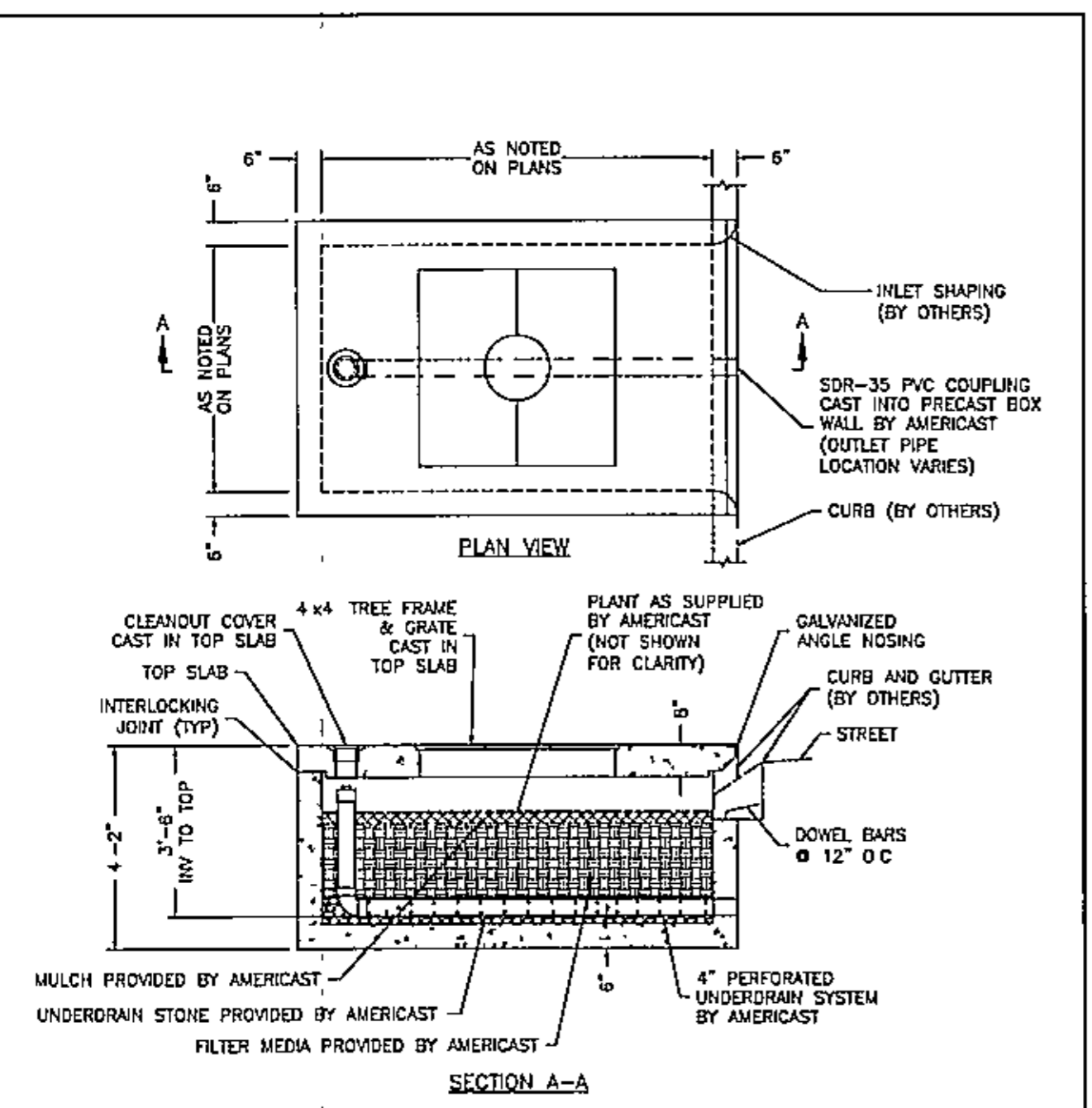
TYPICAL BIORETENTION CELL / RAIN GARDEN SECTION
NOT TO SCALE



OUTLET STRUCTURE DETAIL OCS-2
NOT TO SCALE

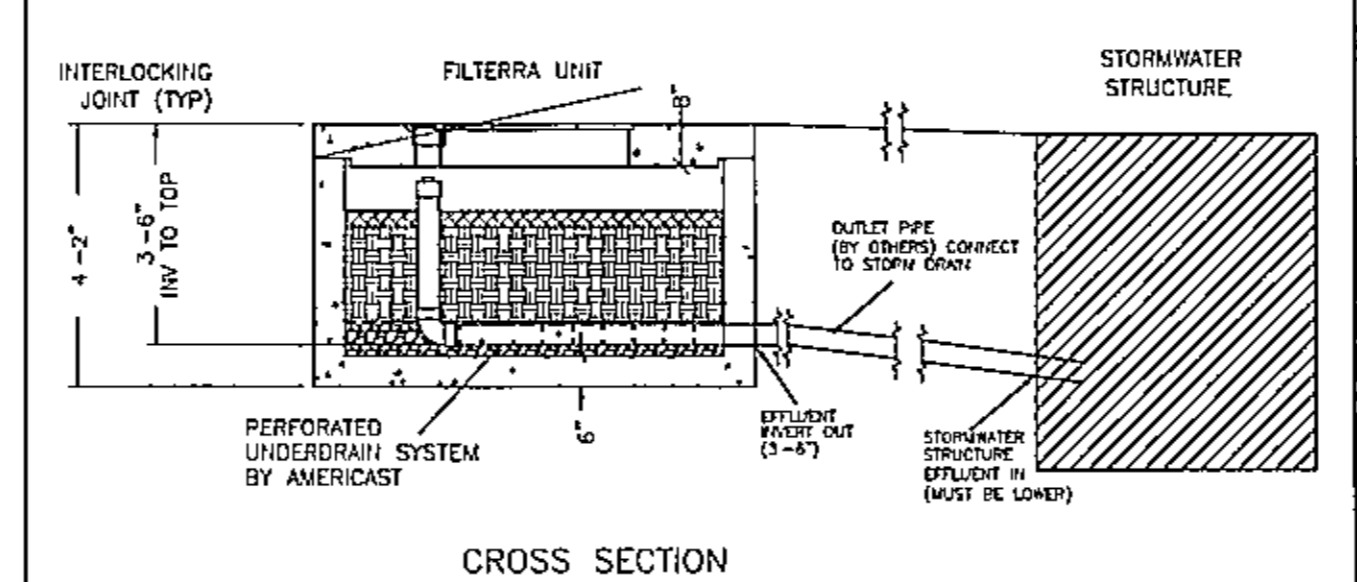
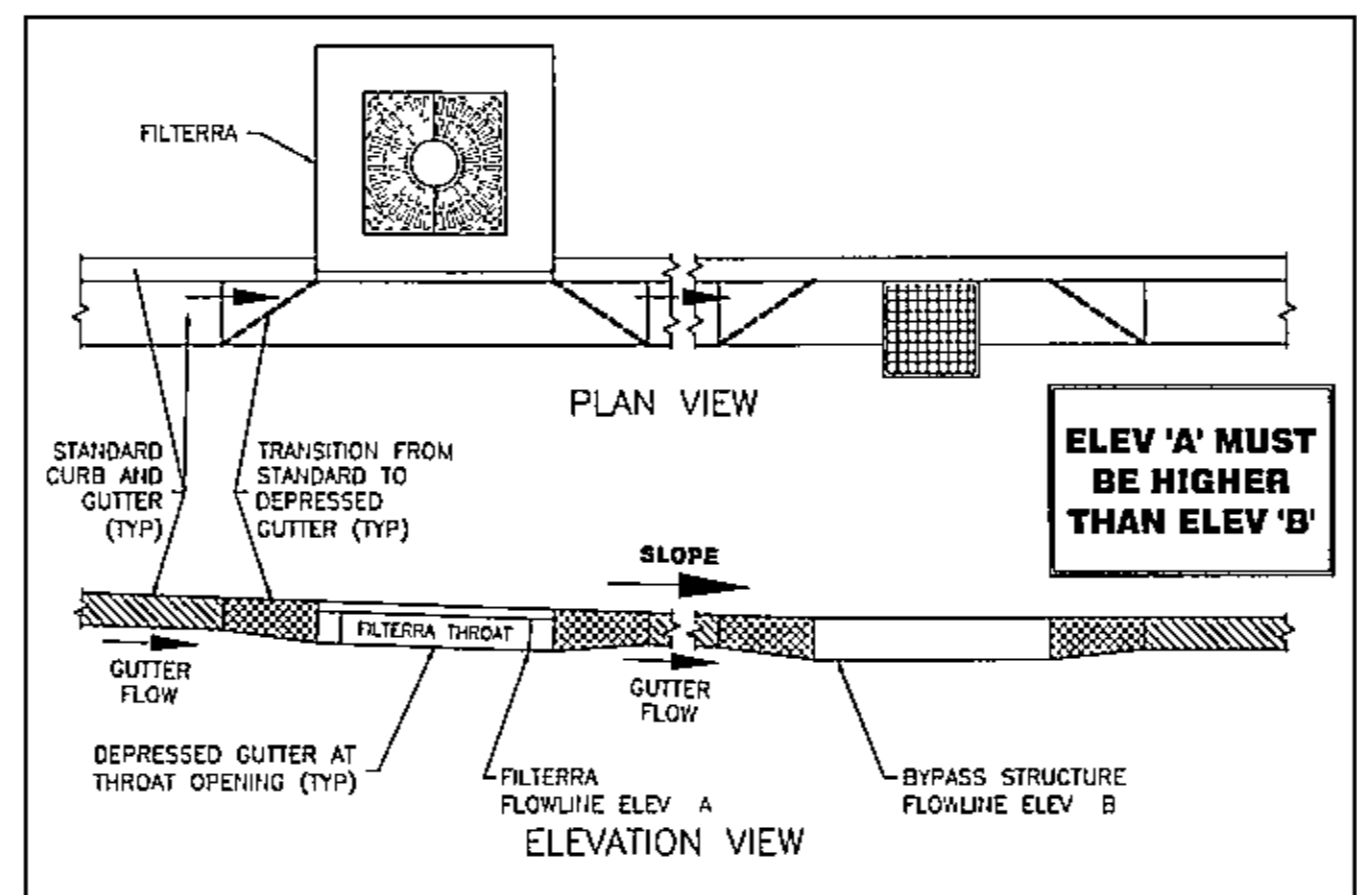


PRECAST FLOW CONTROL PANEL
NOT TO SCALE

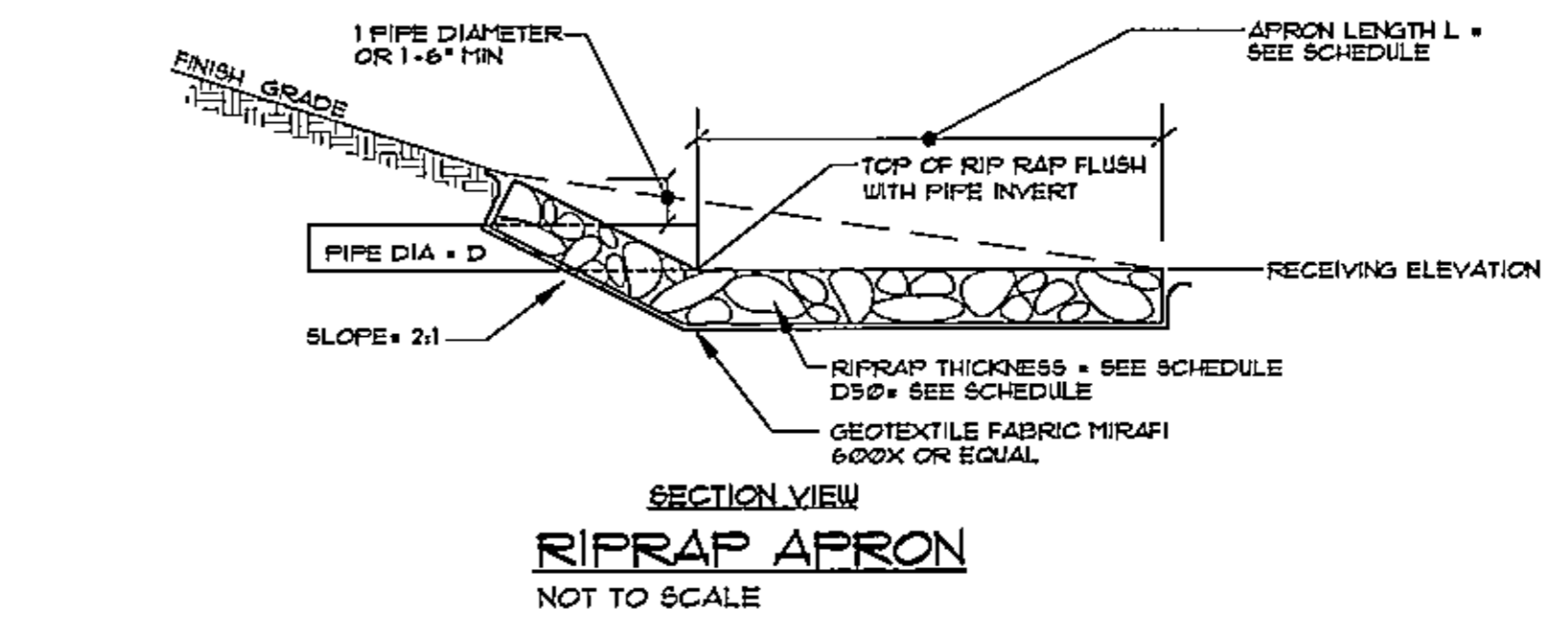
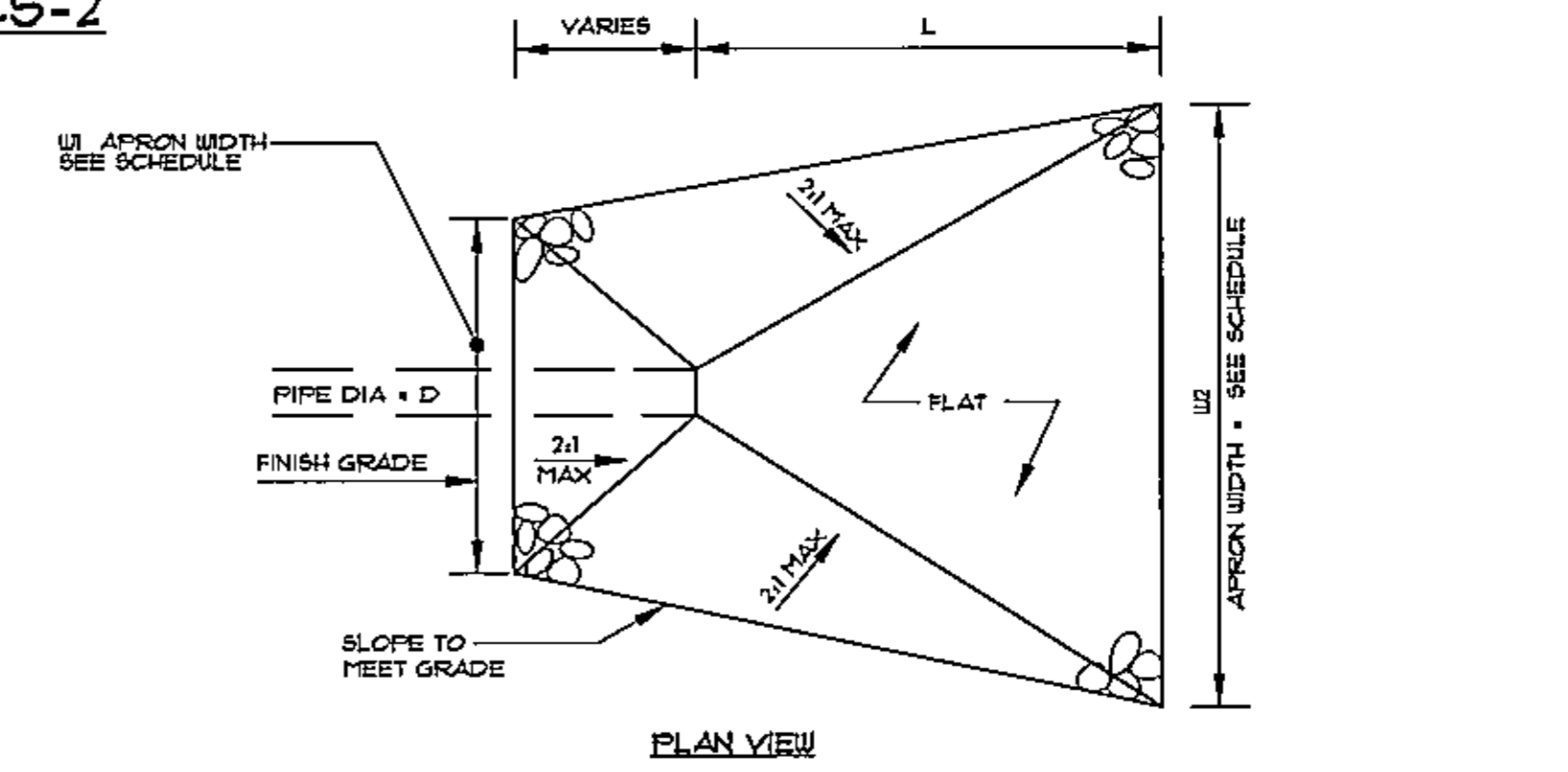


IMPORTANT
FILTERRA FLOWLINE MUST BE AT A HIGHER ELEVATION THAN BYPASS FLOWLINE (DROP INLET OR OTHER)

SECTION VIEW STANDARD FILTERRA THROAT OPENING



CROSS SECTION



- NOTES**
- RIPRAP TO BE PROCESSED ANGULAR ROCK
 - RIPRAP GRADATION SHALL BE A WELL GRADED MIX FROM ABOUT 15 TIMES D SIZE TO 25 PERCENT OF THE D SIZE
 - THE RIPRAP STONES SHALL BE CAREFULLY PLACED FROM THE TOE OF THE SLOPE UPWARD
 - STONES SHALL BE LOWERED TO THE SLOPE AND NOT BE ALLOWED TO DROP MORE THAN 12" ONTO THE GEOTEXTILE
 - THE FINISHED SURFACE SHALL BE A RELATIVELY SMOOTH UNIFORMLY SLOPED SURFACE

TYPICAL RIPRAP APRON SCHEDULE

CULVERT DIAMETER - D (IN)	APRON LENGTH - L (FT)	WIDTH - W1 (FT)	WIDTH - W2 (FT)	RIPRAP D50 (IN)	RIPRAP THICKNESS (IN)
12	8	3	9	6	14
15	10	4	12	6	14

AMERICAST PRECAST FILTERRA UNIT NARROW LENGTH CONFIGURATION

DATE: 09-04-07 DWG: FTL-3

filterra

AMERICAST FILTERRA THROAT OPENING AND GUTTER OR FLUME DETAIL

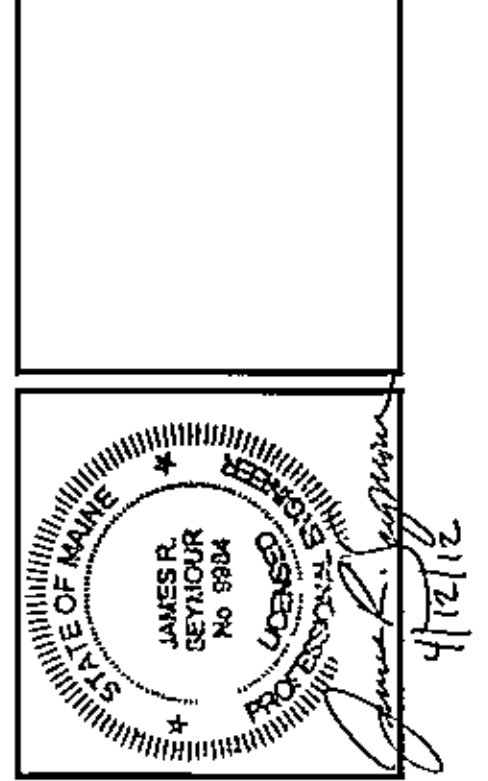
DATE: 02-06-08 DWG: CGT-4

filterra

AMERICAST FILTERRA TYPICAL FLOWLINE AND OUTLET PIPE RELATIONSHIP

DATE: 07-07-05 DWG: FLP-2

filterra



REV	BY	DATE	DESCRIPTION
E	JRS	04/12/12	REVISED SITE PLAN REMOVED COFFEE DRIVE THRU
D	JRS	03/19/12	REVISED PER FINAL PLAN COMMENTS
C	JRS	03/06/12	SUBMITTED FOR FINAL PLAN REVIEW
B	JRS	01/10/12	SUBMITTED FOR PRELIMINARY REVIEW
A	JRS	11/15/11	SUBMITTED FOR PRELIMINARY REVIEW

Sebago Technics
Engineering, Excavation, Construction
One Chubb Street
Westbrook, ME 04090-1330
Tel: (207) 568-0277
WWW.SEBAGOTECHNICS.COM

PROJECT NO: 11142
FIELD BOOK: SAG
DESIGN: CHKO
DRAWN: JRS/JRH

DETAILS
OF
TRITON FOODMART / GAS STATION
1884 FOREST AVE.
PORTLAND, MAINE
FOR JOHN CHAU
75 ACADIA ST.
PORTLAND, MAINE 04103

DATE: 8/3/11 SCALE: AS NOTED